



US00D431953S

United States Patent [19]
Walters-Dowding et al.

[11] **Patent Number: Des. 431,953**
[45] **Date of Patent: ** Oct. 17, 2000**

[54] **PLATE RACK**

[75] Inventors: **Andrea Walters-Dowding**, Dresden;
Kent Shaeffer; **Sun Lacy**, both of
Newark, all of Ohio; **Russell Gilbert**;
Shane Mathews, both of Mountain
View, Ark.

[73] Assignee: **The Longaberger Company**, Newark,
Ohio

[**] Term: **14 Years**

[21] Appl. No.: **29/108,500**

[22] Filed: **Jul. 28, 1999**

Related U.S. Application Data

[63] Continuation-in-part of application No. 29/101,010, Feb. 22,
1999, Pat. No. Des. 427,892, and application No. 29/100,
939, Feb. 22, 1999, Pat. No. Des. 422,417, which is a
continuation-in-part of application No. 29/068,271, Mar. 24,
1997, Pat. No. Des. 415,366.

[51] **LOC (7) Cl.** **06-04**

[52] **U.S. Cl.** **D6/566**

[58] **Field of Search** D6/566, 567, 569,
D6/570, 572; 211/13.1, 41.1, 41.7, 86.01,
87.01, 181.1

[56] **References Cited**

U.S. PATENT DOCUMENTS

| | | | | |
|------------|---------|---------|-------|----------|
| D. 131,343 | 2/1942 | Daum | | D6/566 |
| D. 339,945 | 10/1993 | Moser | | D6/570 |
| D. 388,645 | 1/1998 | Whang | | D6/566 X |
| D. 406,979 | 3/1999 | Goodman | | D6/566 |

Primary Examiner—Brian N. Vinson
Attorney, Agent, or Firm—Porter, Wright, Morris & Arthur
LLP

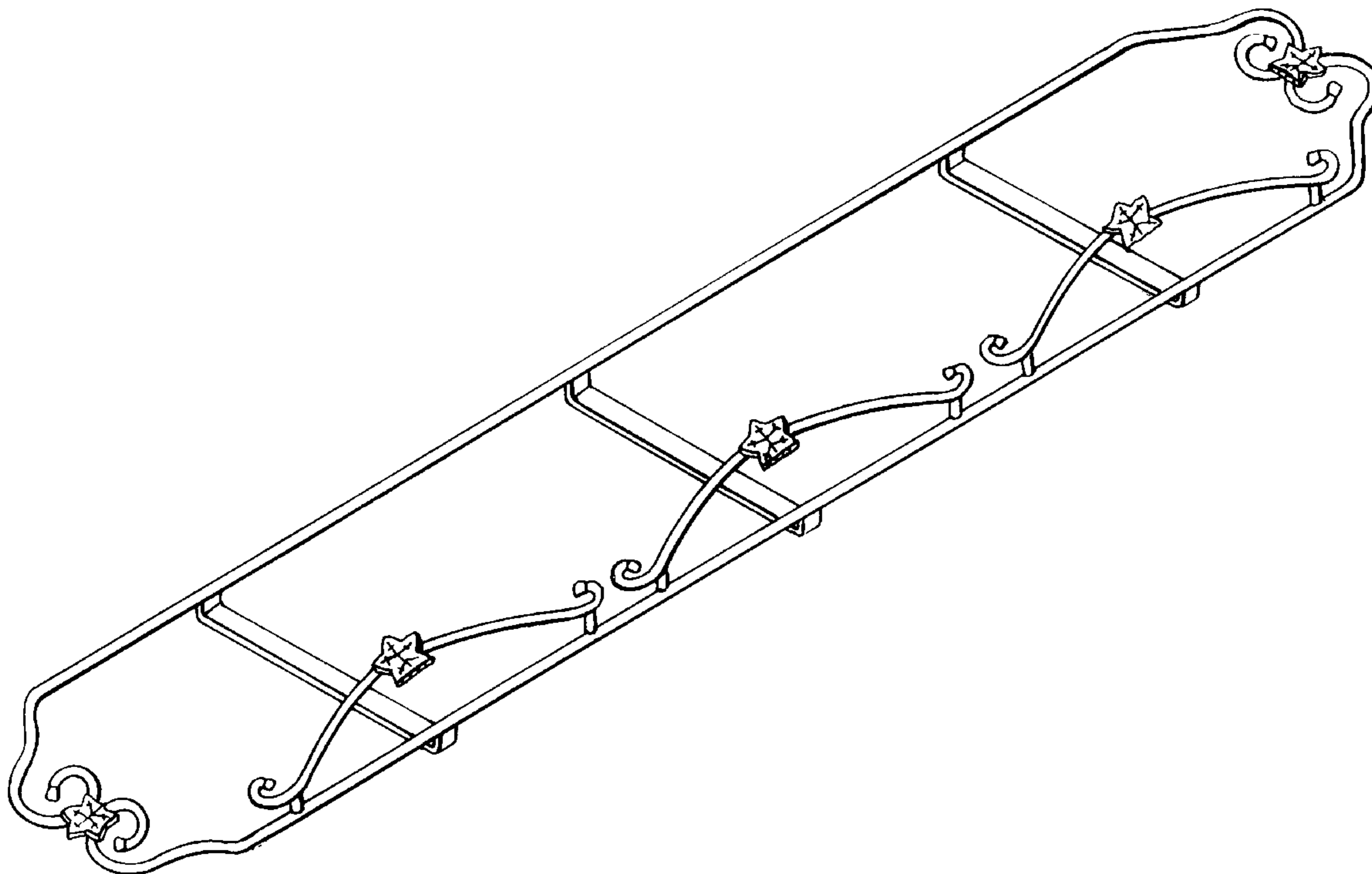
[57] **CLAIM**

The ornamental design for plate rack, as shown and
described.

DESCRIPTION

FIG. 1 is a perspective view of the plate rack showing our
new design;
FIG. 2 is a left side view of the plate rack of FIG. 1, the right
side being a mirror image thereof;
FIG. 3 is a front view of the plate rack of FIG. 1;
FIG. 4 is a top view of the plate rack of FIG. 1;
FIG. 5 is a rear view of the plate rack of FIG. 1; and,
FIG. 6 is a bottom view of the plate rack of FIG. 1.

1 Claim, 3 Drawing Sheets



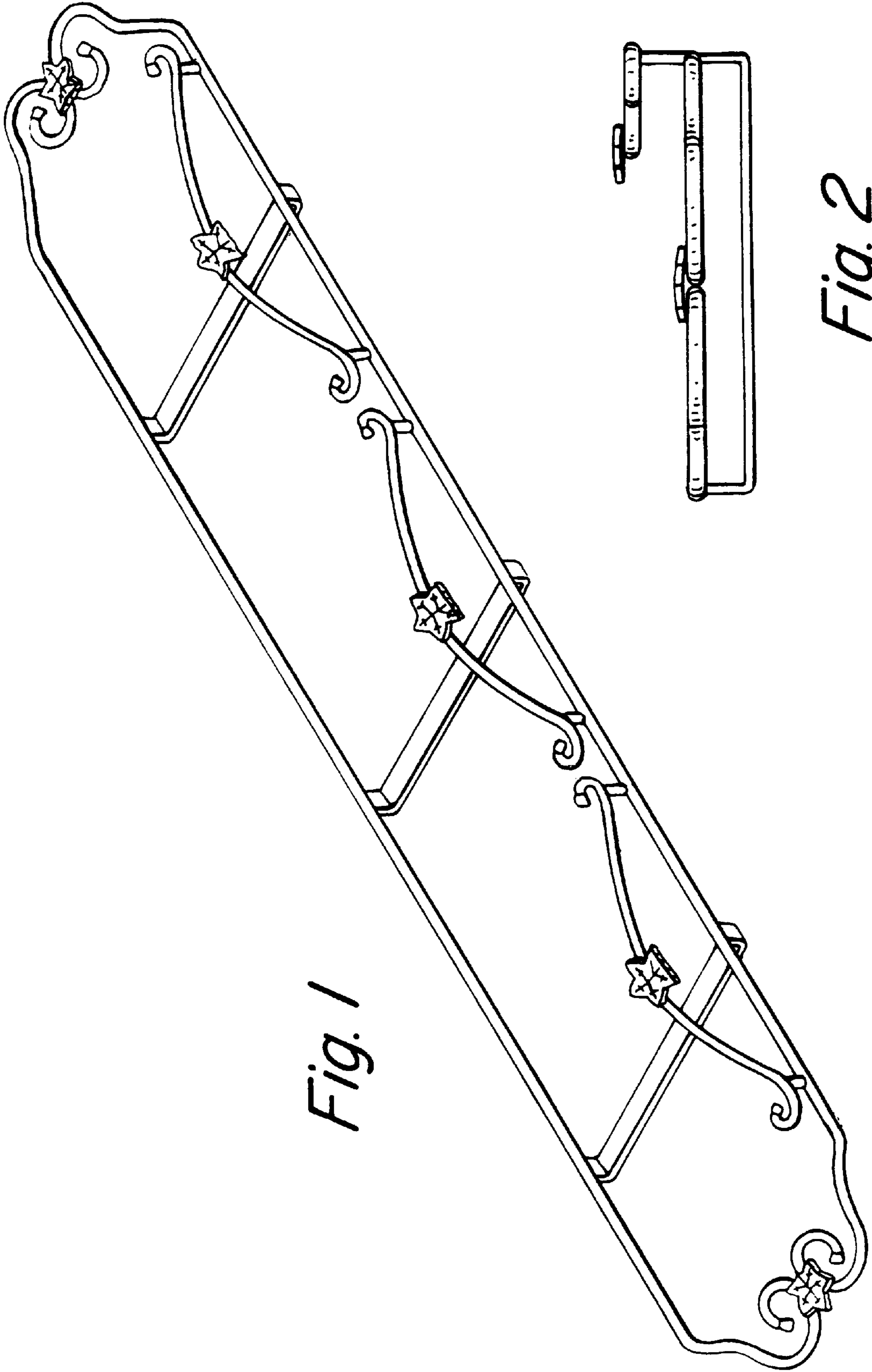


Fig. 1

Fig. 2

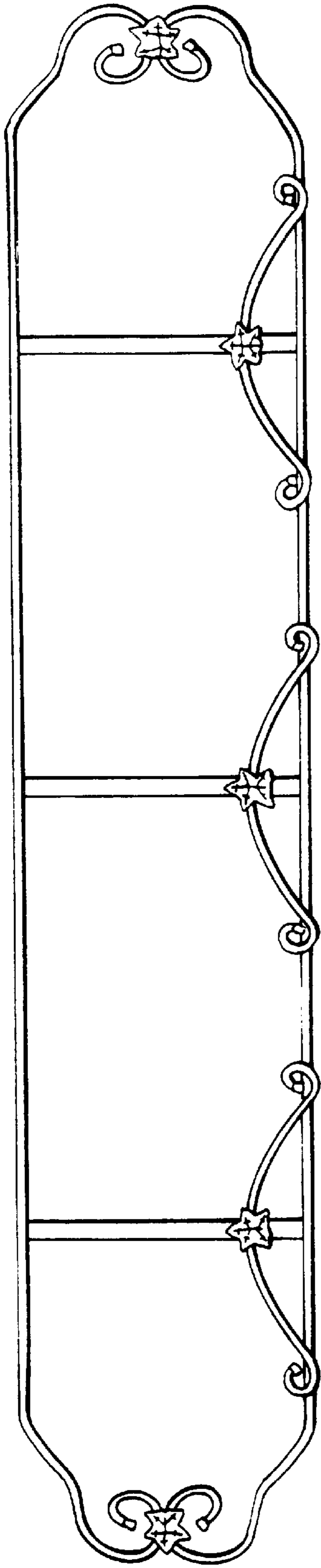


Fig. 3

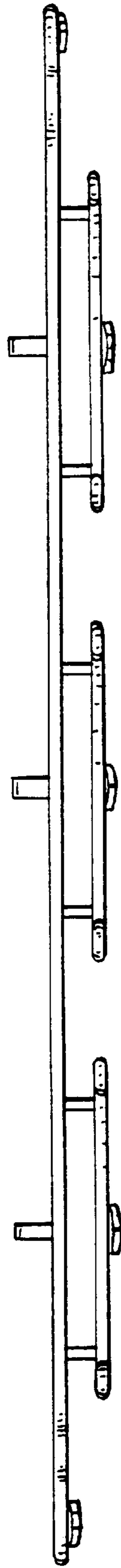


Fig. 4

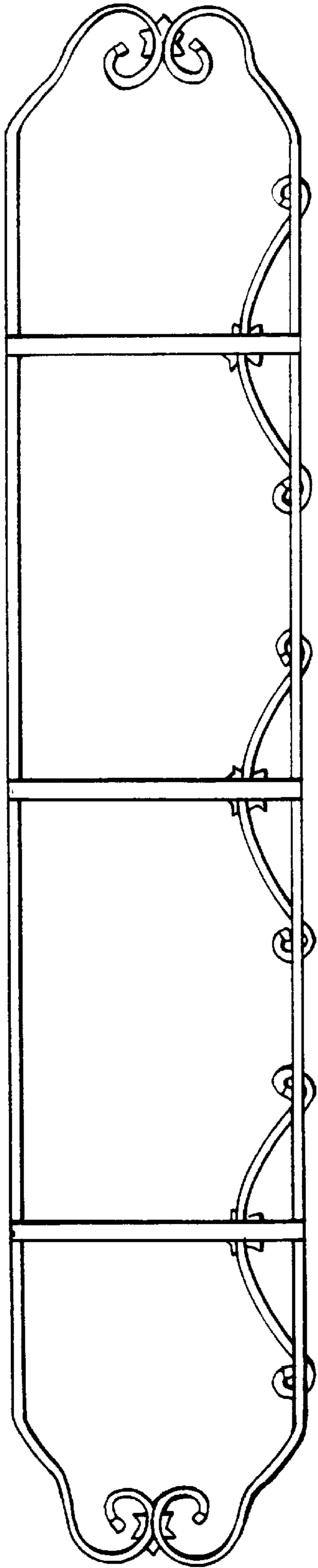


Fig. 5

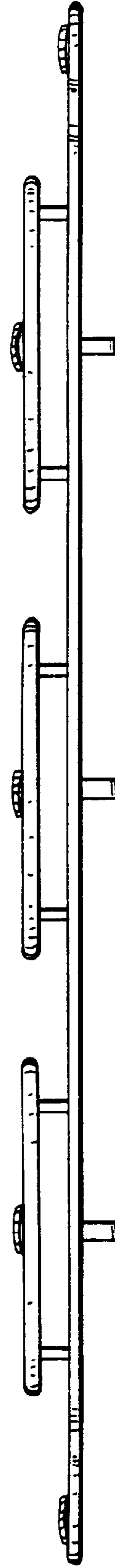


Fig. 6