



US00D431950S

United States Patent [19]

Richardson

[11] **Patent Number: Des. 431,950**

[45] **Date of Patent: ** Oct. 17, 2000**

[54] **HOME PLATE BALL DISPLAY RACK**

[76] Inventor: **Mandy E. Richardson**, 4317 SW. 22nd St., Apt. No. 109, Oklahoma City, Okla. 73108-1905

[**] Term: **14 Years**

[21] Appl. No.: **29/114,733**

[22] Filed: **Nov. 30, 1999**

[51] **LOC (7) Cl.** **08-08**

[52] **U.S. Cl.** **D6/552**

[58] **Field of Search** D6/552, 567, 569, D6/570; 206/315.9, 503; 211/13.1, 49.1; 312/234, 245

[56] **References Cited**

U.S. PATENT DOCUMENTS

- D. 295,883 5/1988 Allen D6/552
- D. 346,520 5/1994 Barfield D6/552
- D. 366,584 1/1996 Ellis D6/552

- D. 366,798 2/1996 Messersmith D6/552 X
- D. 370,340 6/1996 Berger D6/552
- D. 379,838 6/1997 Brown et al. D6/552
- D. 386,925 12/1997 Hogan D6/552
- 5,413,228 5/1995 Le Clerc 211/13.1

Primary Examiner—Brian N. Vinson
Attorney, Agent, or Firm—Edward L. White

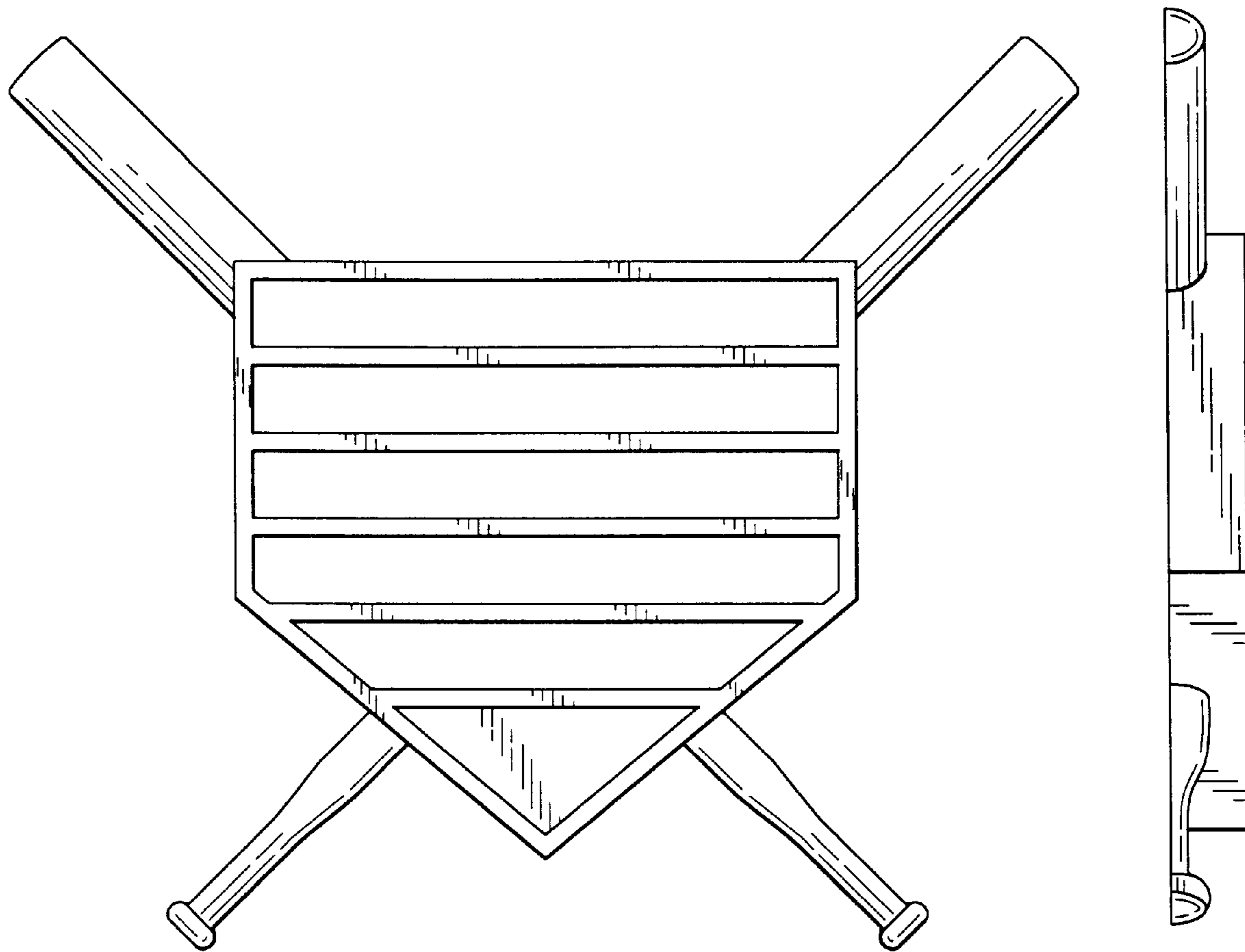
[57] **CLAIM**

The ornamental design for a home plate ball display rack, as shown.

DESCRIPTION

FIG. 1 is a front elevational view of a home plate ball display rack showing my new design; FIG. 2 is a rear elevational view thereof; FIG. 3 is a right side elevational view thereof; FIG. 4 is a left side elevational view thereof; FIG. 5 is a top plan view thereof; and, FIG. 6 is a bottom plan view thereof.

1 Claim, 2 Drawing Sheets



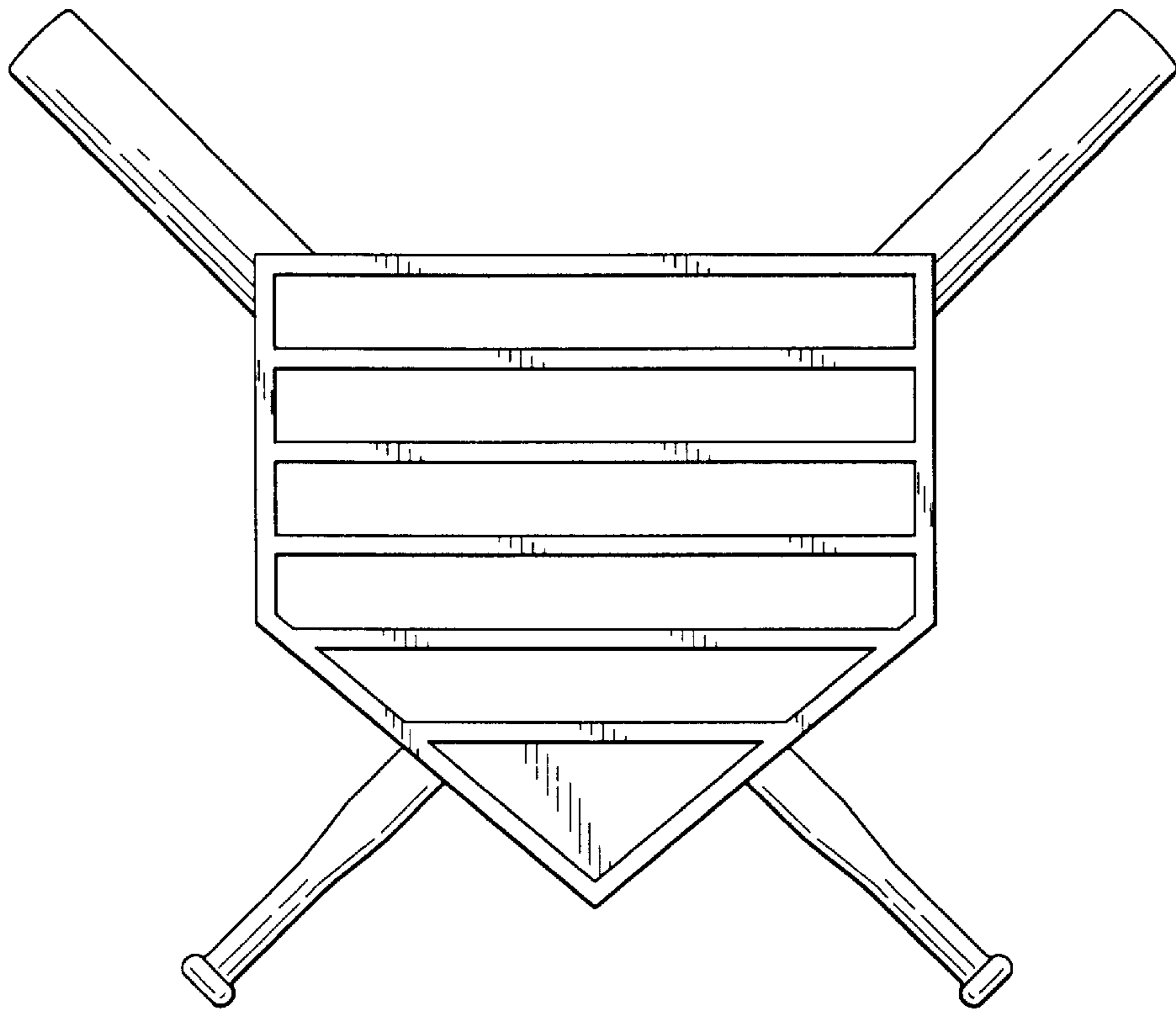


FIG. 1

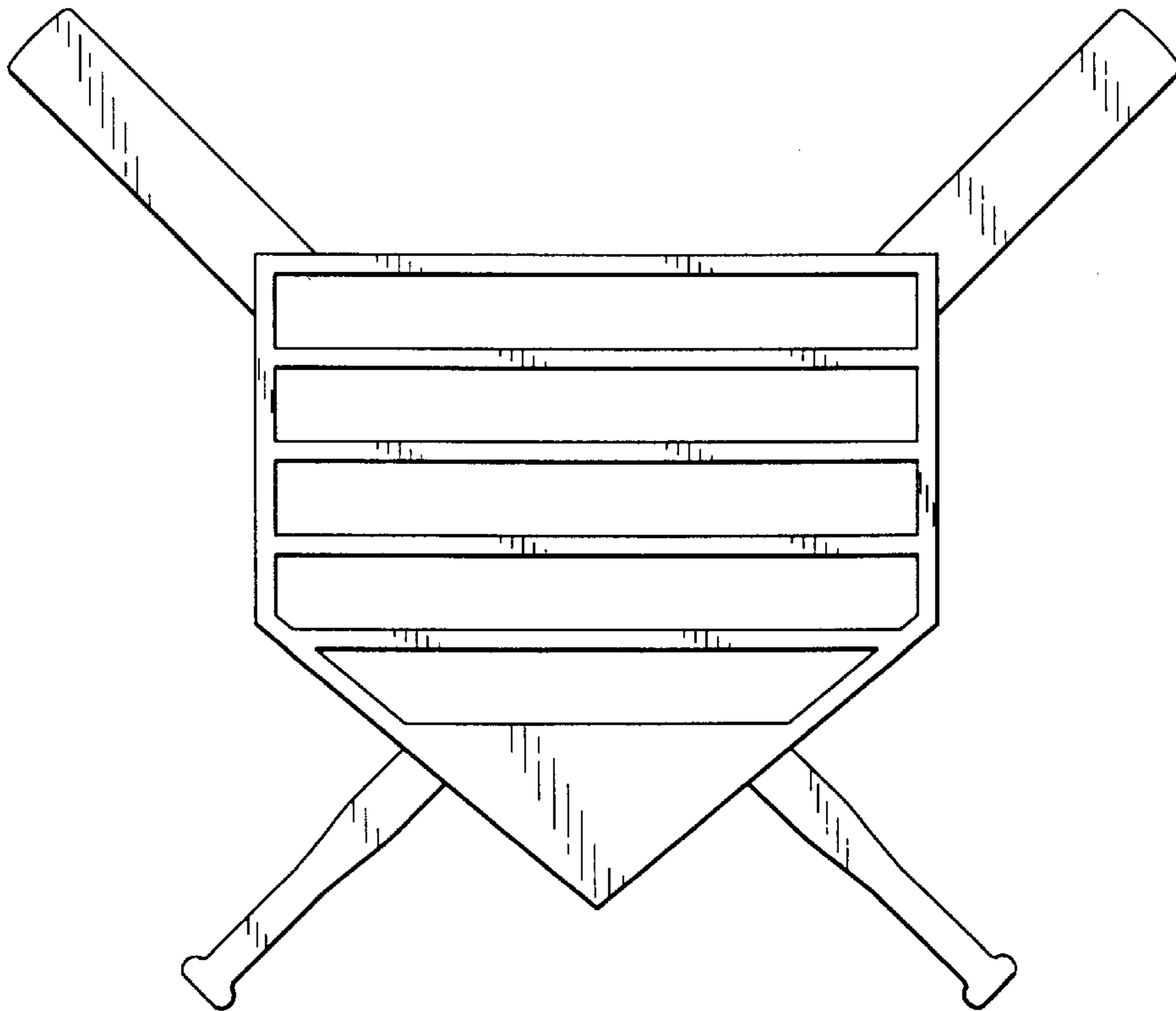


FIG. 2

