



US00D431948S

United States Patent [19] Chen

[11] **Patent Number: Des. 431,948**

[45] **Date of Patent: ** Oct. 17, 2000**

[54] **POST FOR BATH ACCESSORY**

[76] Inventor: **Lien-Fu Chen**, 9F-9, No. 144, Sec. 3,
Sun-Ming Road, Taichung, Taiwan

[**] Term: **14 Years**

[21] Appl. No.: **29/118,936**

[22] Filed: **Feb. 22, 2000**

[51] **LOC (7) Cl. 23-02**

[52] **U.S. Cl. D6/524; D6/550**

[58] **Field of Search** D6/522-524, 527-540,
D6/546-550; D8/349, 350, 352, 354; 211/13.1,
60.1, 65, 66, 69.1, 71, 74, 75, 86, 87; 242/570,
590, 595-598; 248/309.1, 310, 311.2, 312,
314, 315

[56] **References Cited**

U.S. PATENT DOCUMENTS

- D. 334,315 3/1993 Bengston D6/546
- D. 341,511 11/1993 McKeone D6/550
- D. 361,006 8/1995 Shape D6/549

- D. 408,669 4/1999 Kuo D6/546
- D. 409,030 5/1999 Sweetman D6/546
- D. 416,730 11/1999 Chen D6/540
- D. 417,994 12/1999 Roth et al. D6/546
- 4,907,771 3/1990 Wang 248/309.1 X

Primary Examiner—Brian N. Vinson
Attorney, Agent, or Firm—Dougherty & Troxell

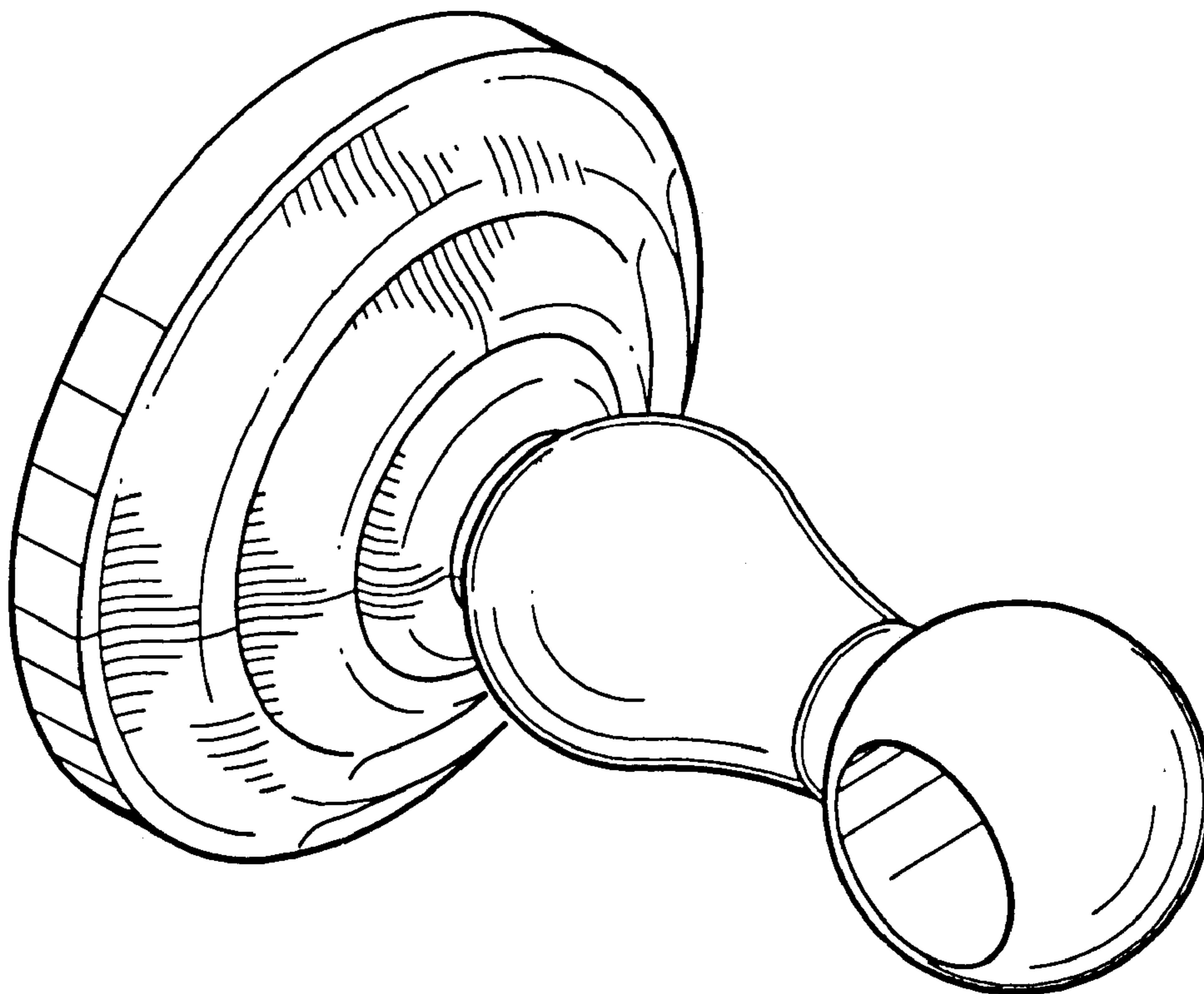
[57] **CLAIM**

The ornamental design for a post for bath accessory, as shown and described.

DESCRIPTION

FIG. 1 is a front elevational view of a post for bath accessory showing my new design;
FIG. 2 is a rear elevational view thereof;
FIG. 3 is a top plan view thereof;
FIG. 4 is a bottom plan view thereof;
FIG. 5 is a left side elevational view thereof;
FIG. 6 is a right side elevational view thereof; and,
FIG. 7 is a perspective view thereof.

1 Claim, 4 Drawing Sheets



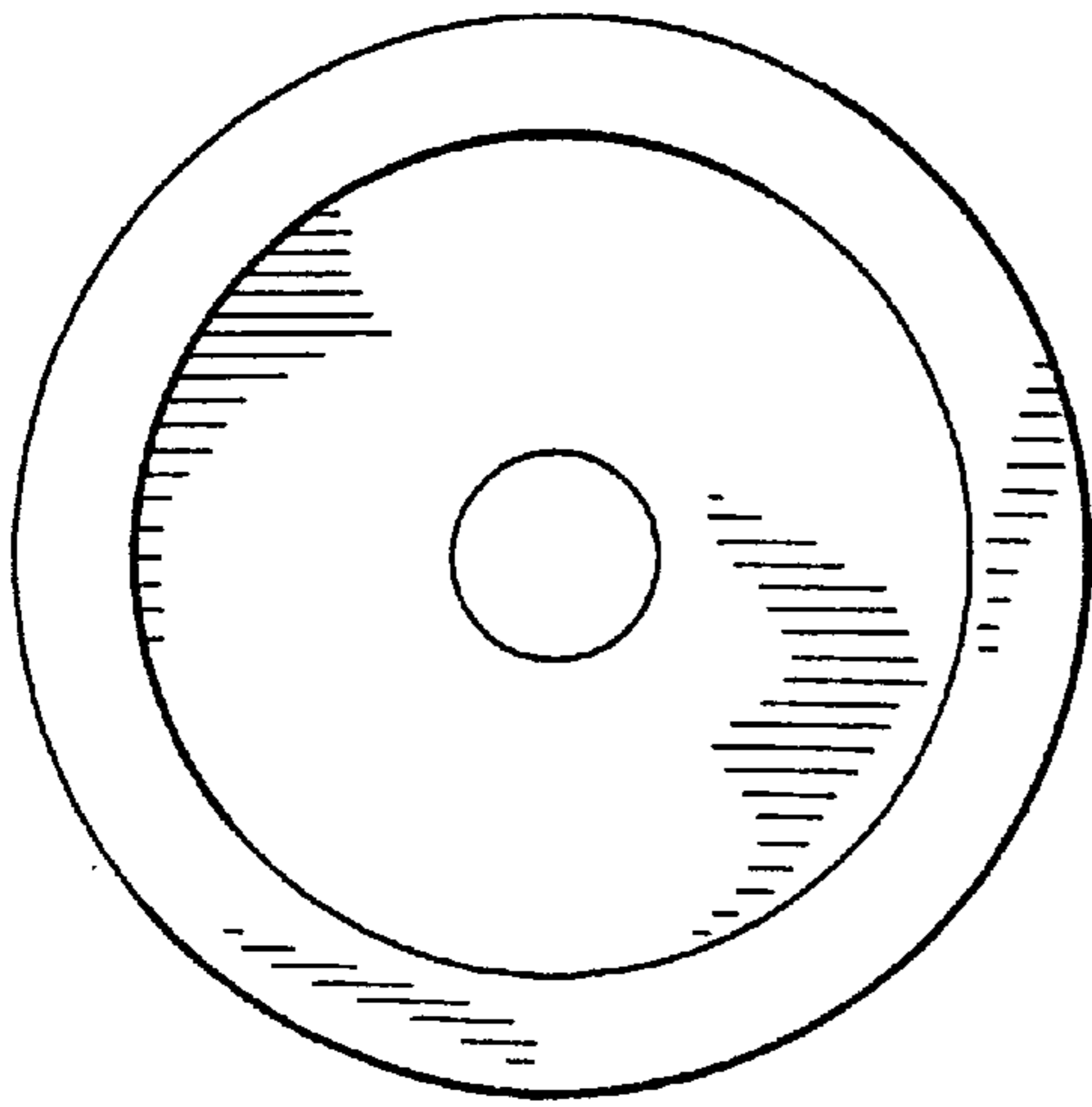


FIG. 2

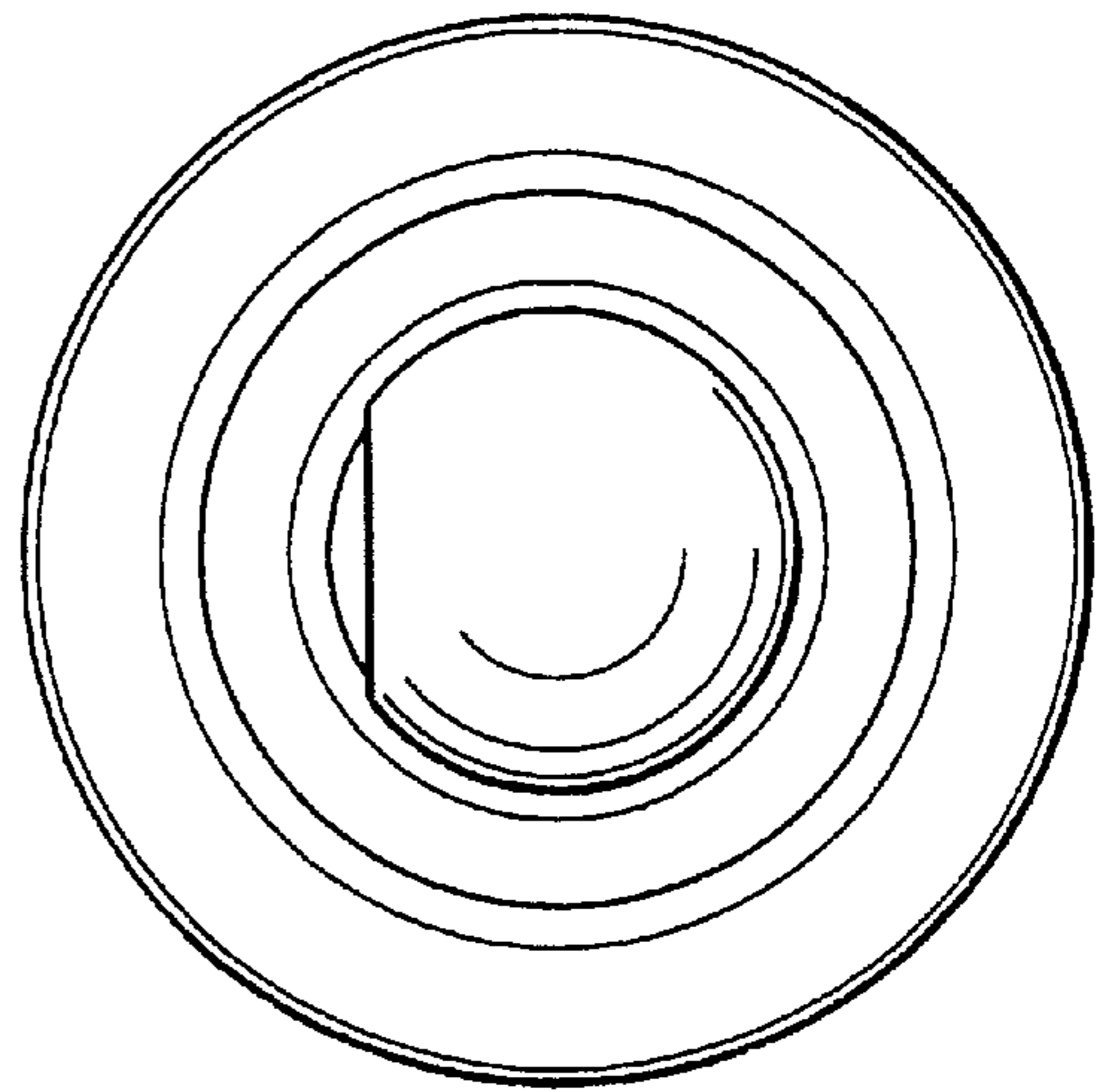


FIG. 1

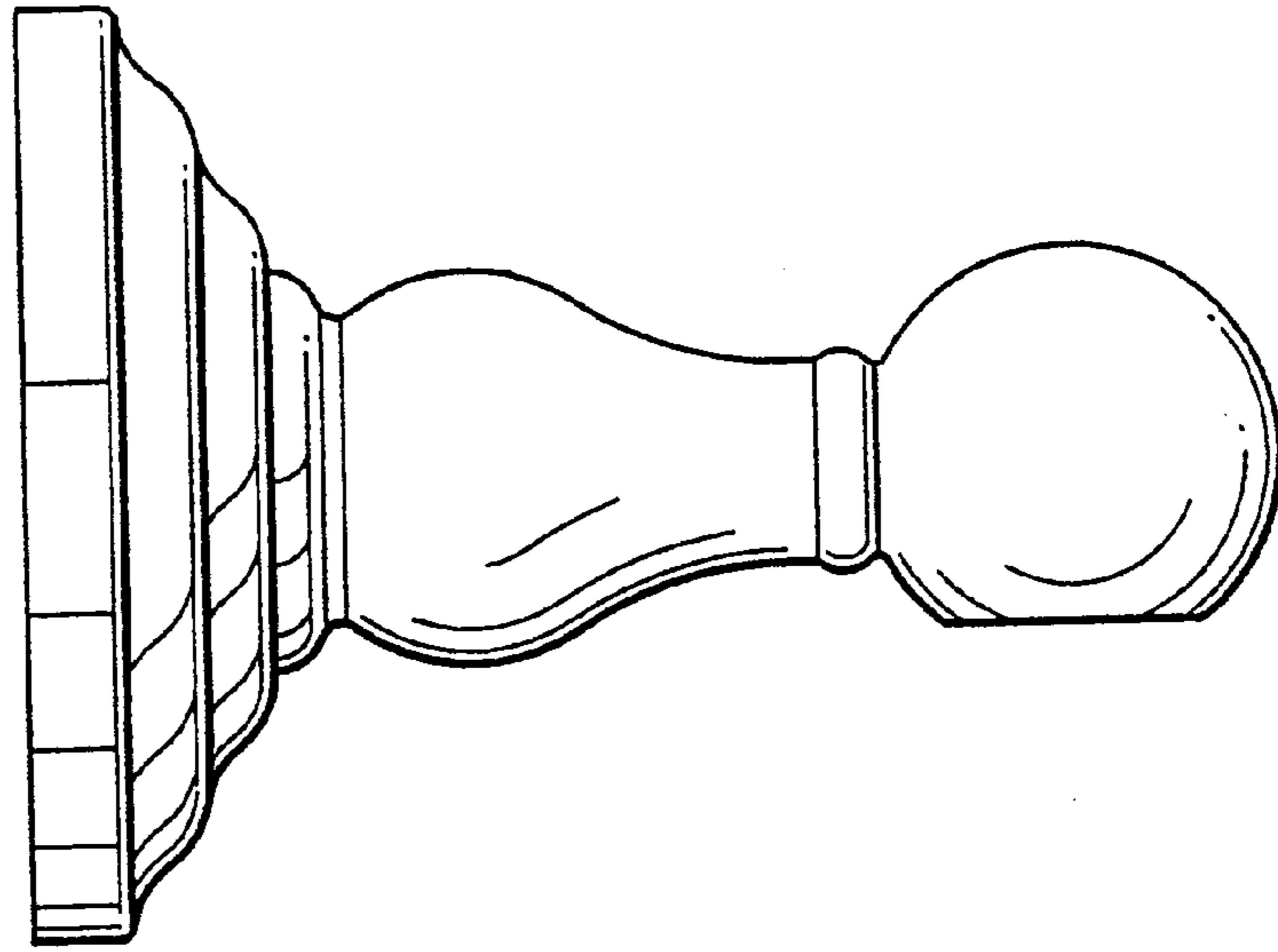


FIG. 3

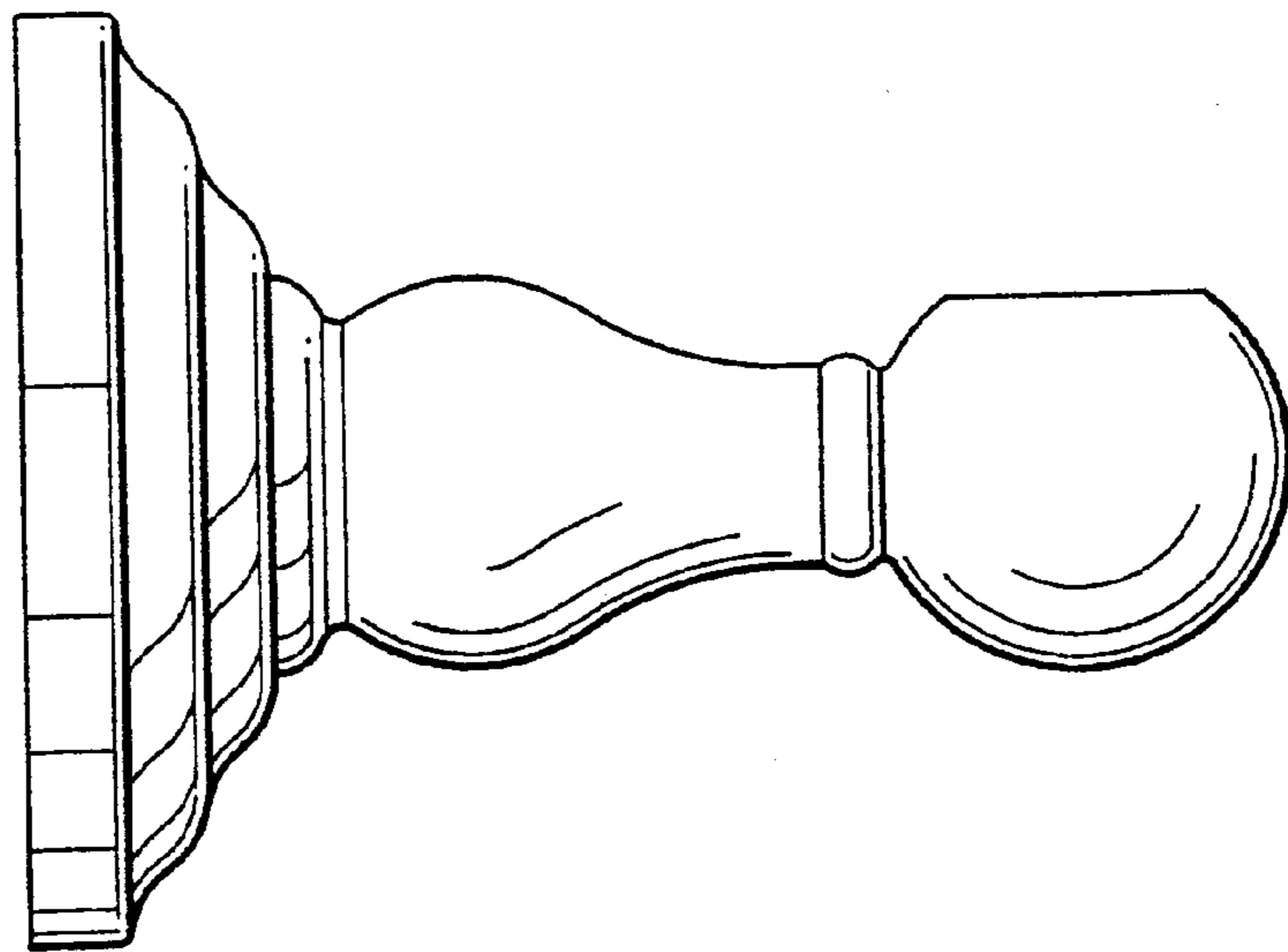


FIG. 4

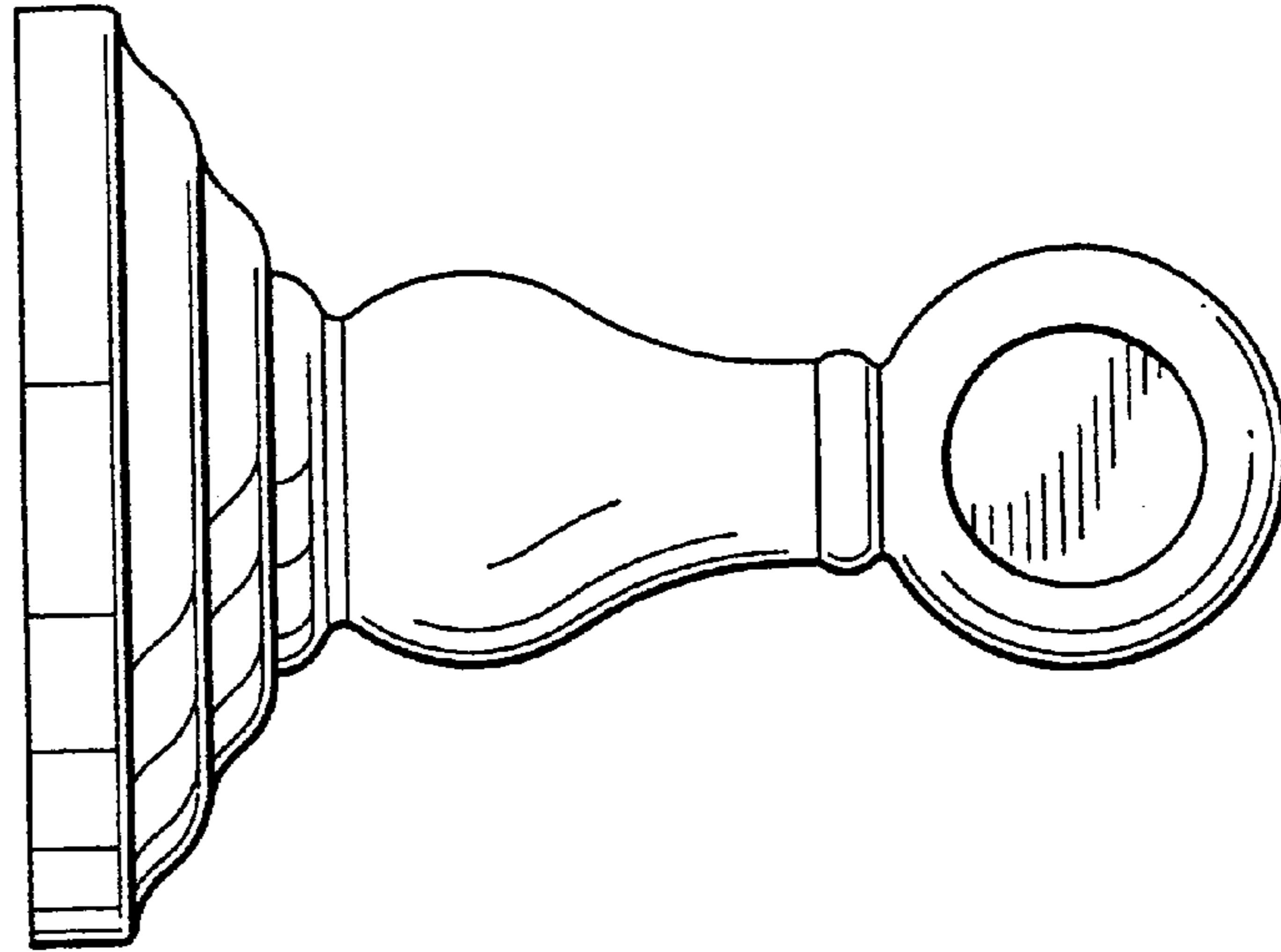


FIG. 5

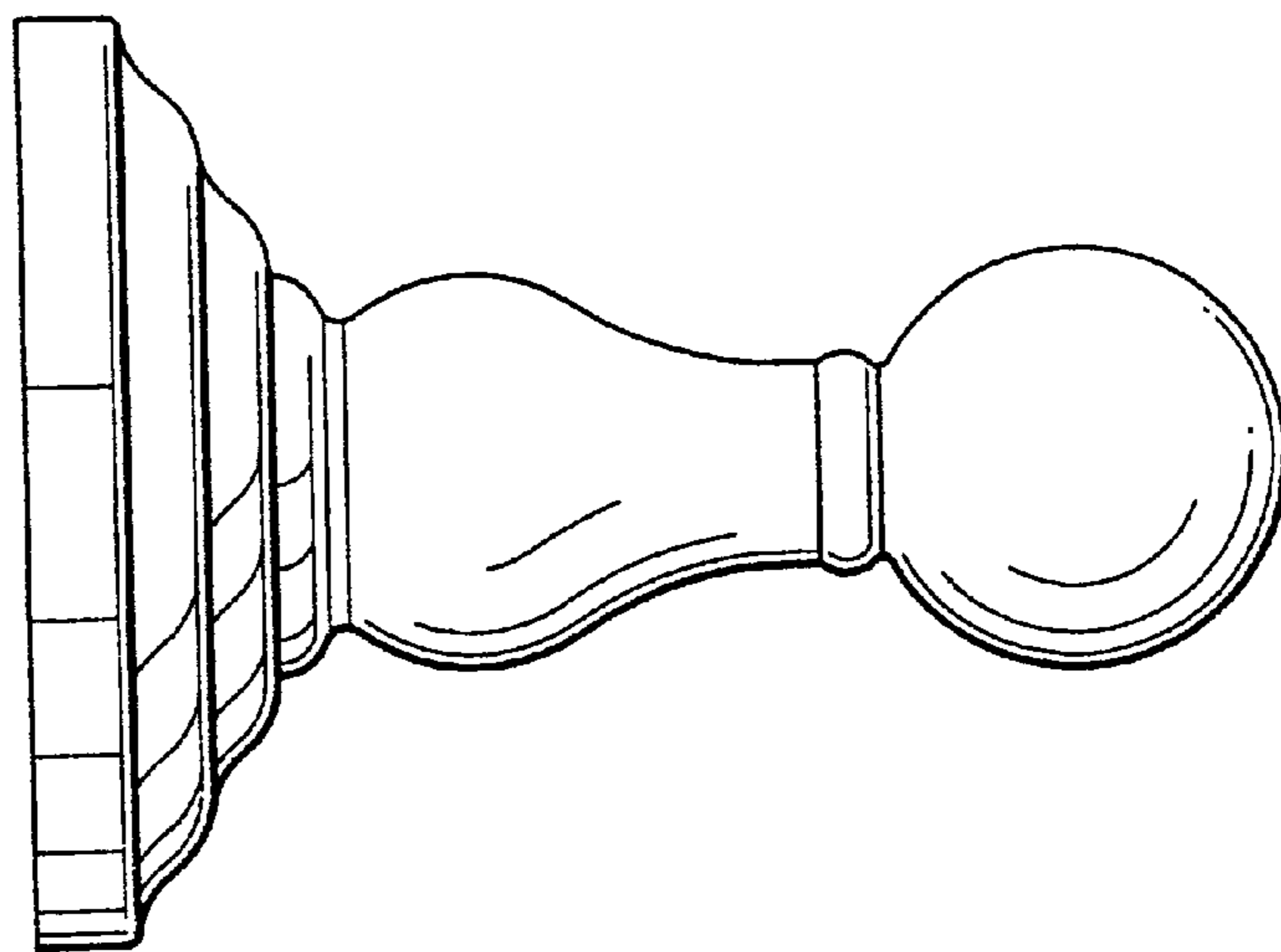


FIG. 6

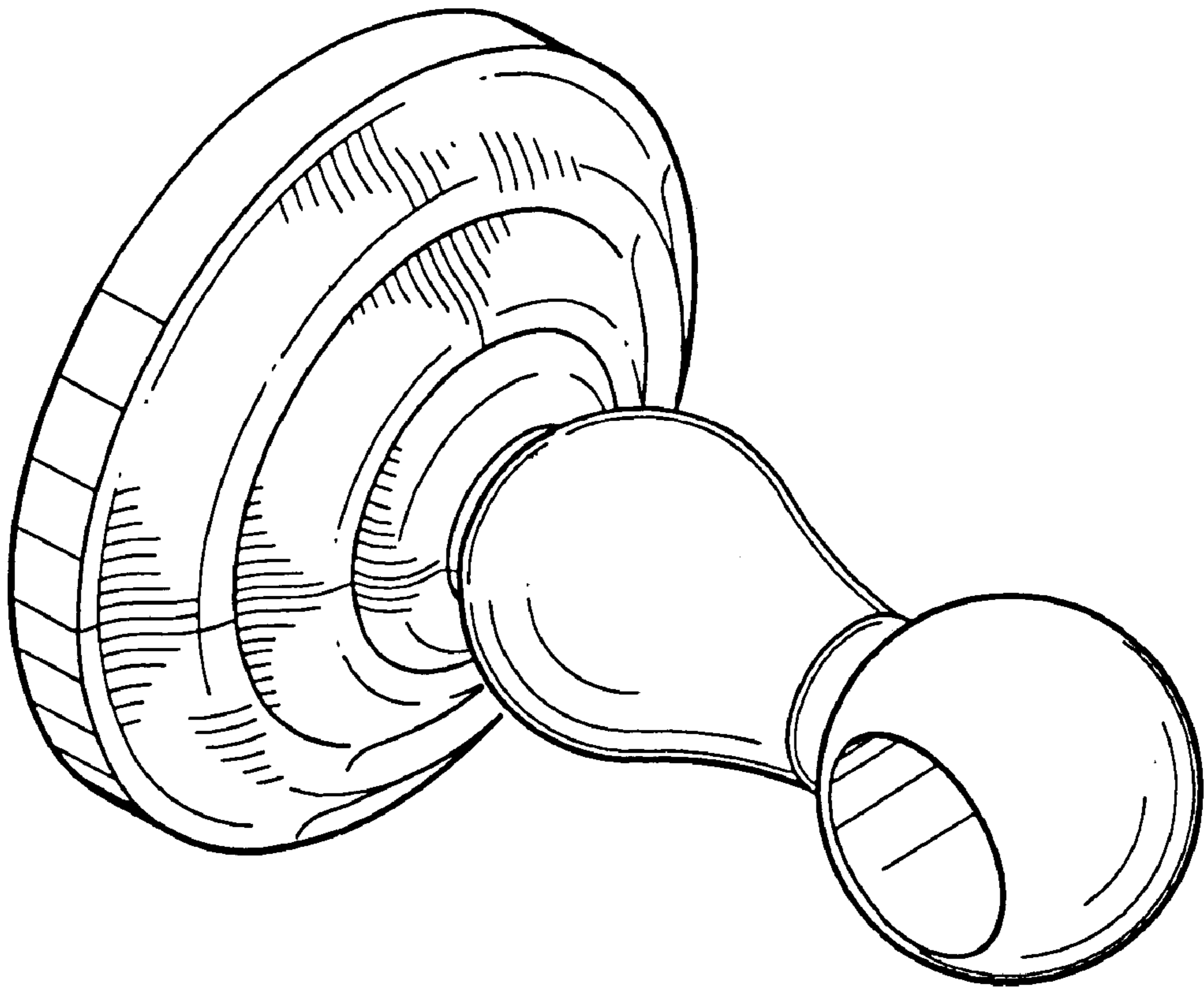


FIG. 7