



US00D431947S

# United States Patent [19]

**Kopcak et al.**

[11] **Patent Number: Des. 431,947**

[45] **Date of Patent: \*\* Oct. 17, 2000**

[54] **BEDSIDE COMMUNE TOILET PAPER ROLL HOLDER**

[76] Inventors: **Terry E. Kopcak**, 501 Devon Ct., SE., Rio Rancho, N. Mex. 87124; **John R. Garcia**, 10304 Leymon Ct. NW., Albq., N. Mex. 87114

[\*\*] Term: **14 Years**

[21] Appl. No.: **29/117,423**

[22] Filed: **Jan. 20, 2000**

[51] **LOC (7) Cl.** ..... **23-02**

[52] **U.S. Cl.** ..... **D6/523**

[58] **Field of Search** ..... D6/518, 519, 522, D6/523, 546, 547, 549; 206/389; 211/13.1, 16, 86, 87, 181.1, 182; 242/570, 590, 595, 596, 597, 598; 248/251, 302, 309.1

[56] **References Cited**

**U.S. PATENT DOCUMENTS**

D. 308,781 6/1990 Mintz ..... D6/523  
D. 341,739 11/1993 Teague ..... D6/523

D. 382,749 8/1997 Thoren et al. .... D6/523  
D. 383,630 9/1997 Goodman ..... D6/523  
D. 386,638 11/1997 Fong ..... D6/518  
D. 389,685 1/1998 Marroquin ..... D6/523  
D. 393,165 4/1998 Jensen ..... D6/523  
D. 411,702 6/1999 Boyd ..... D6/523  
2,632,605 3/1953 Lee ..... D6/523 X

*Primary Examiner*—Brian N. Vinson  
*Attorney, Agent, or Firm*—Peacock, Myers & Adams

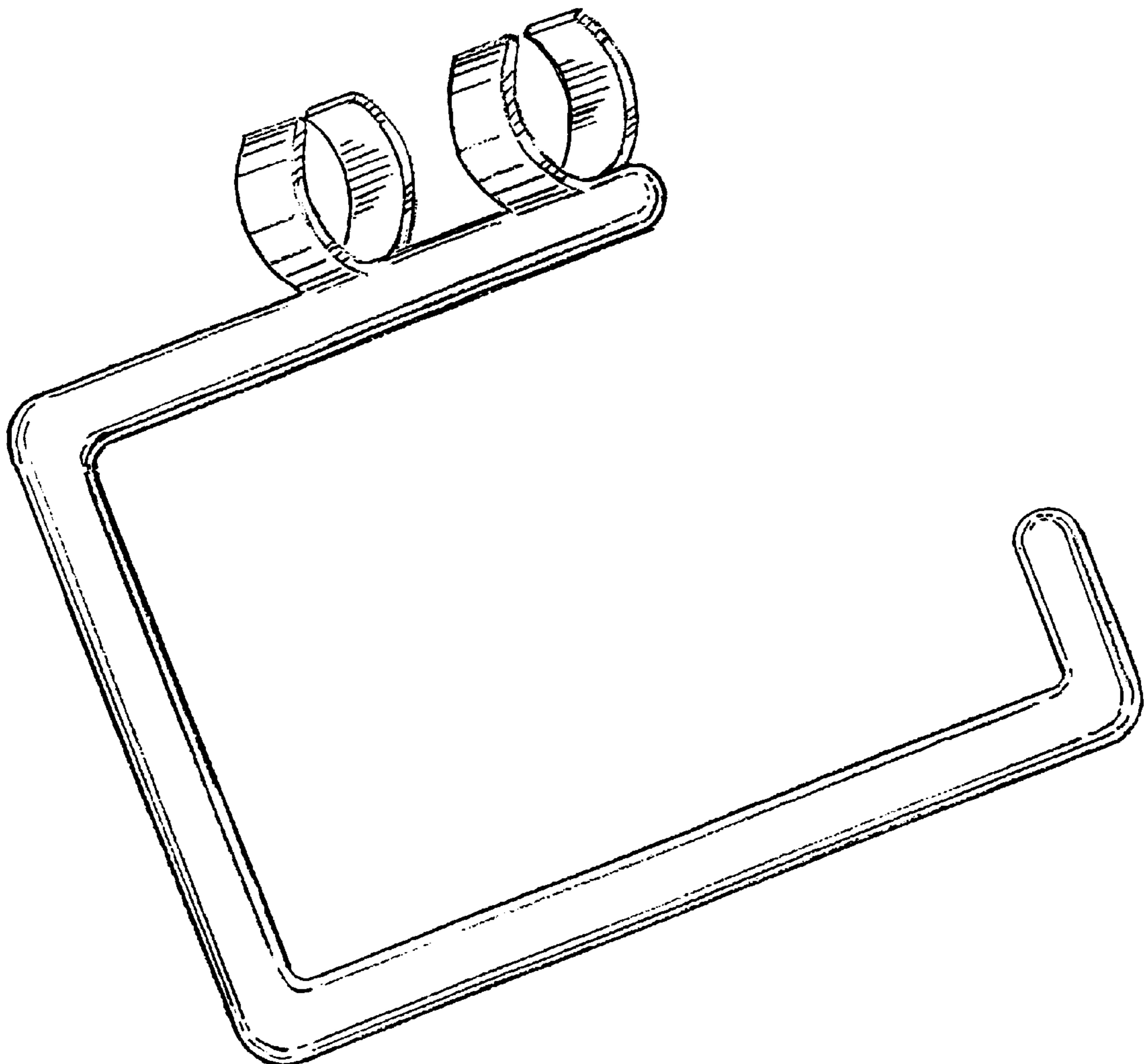
[57] **CLAIM**

The ornamental design for a bedside commode toilet paper roll holder, as shown and described.

**DESCRIPTION**

FIG. 1 is a left side elevational view of a bedside commode toilet paper roll holder, showing our new design; FIG. 2 is a front view thereof; FIG. 3 is a perspective view thereof; FIG. 4 is a top view thereof; FIG. 5 is a bottom view thereof; FIG. 6 is a back view thereof; and, FIG. 7 is a right side elevational view thereof.

**1 Claim, 4 Drawing Sheets**



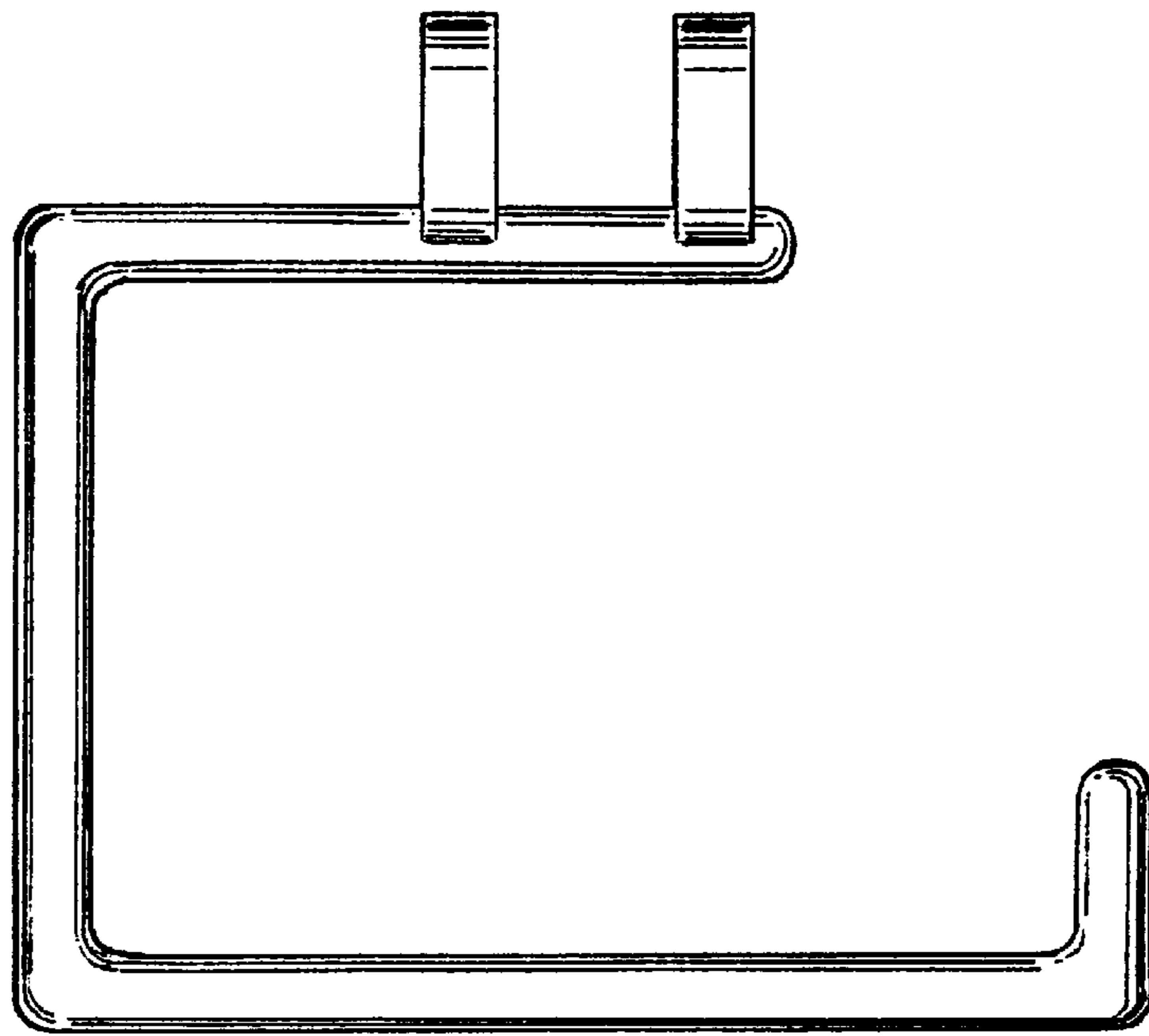


Fig. 1

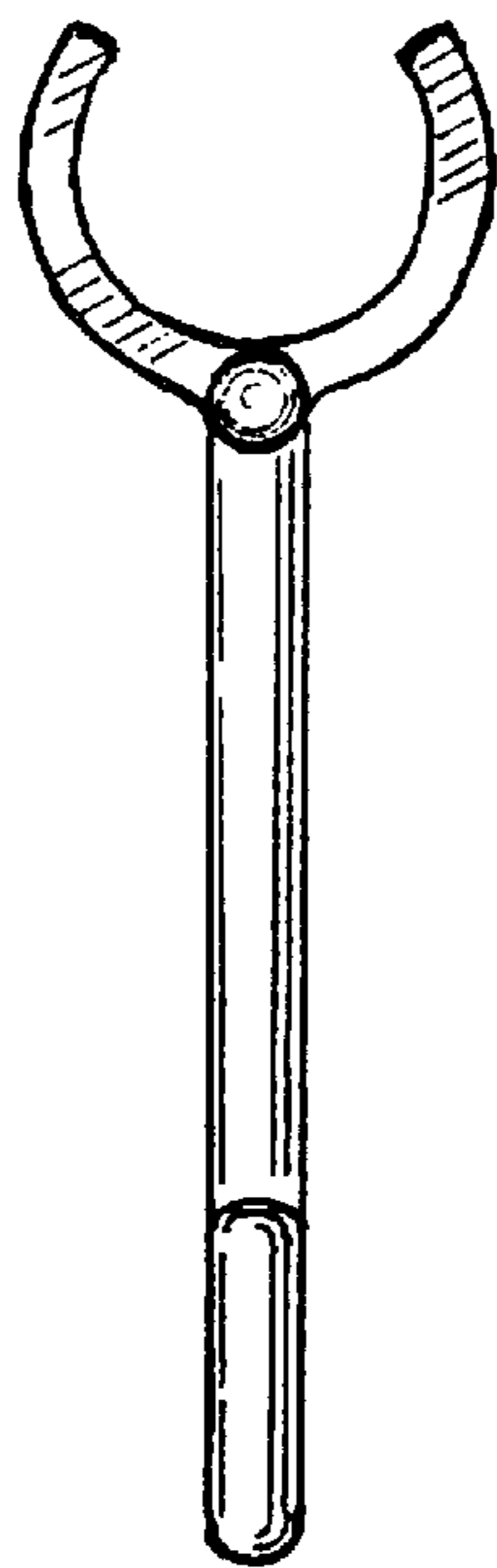


Fig. 2

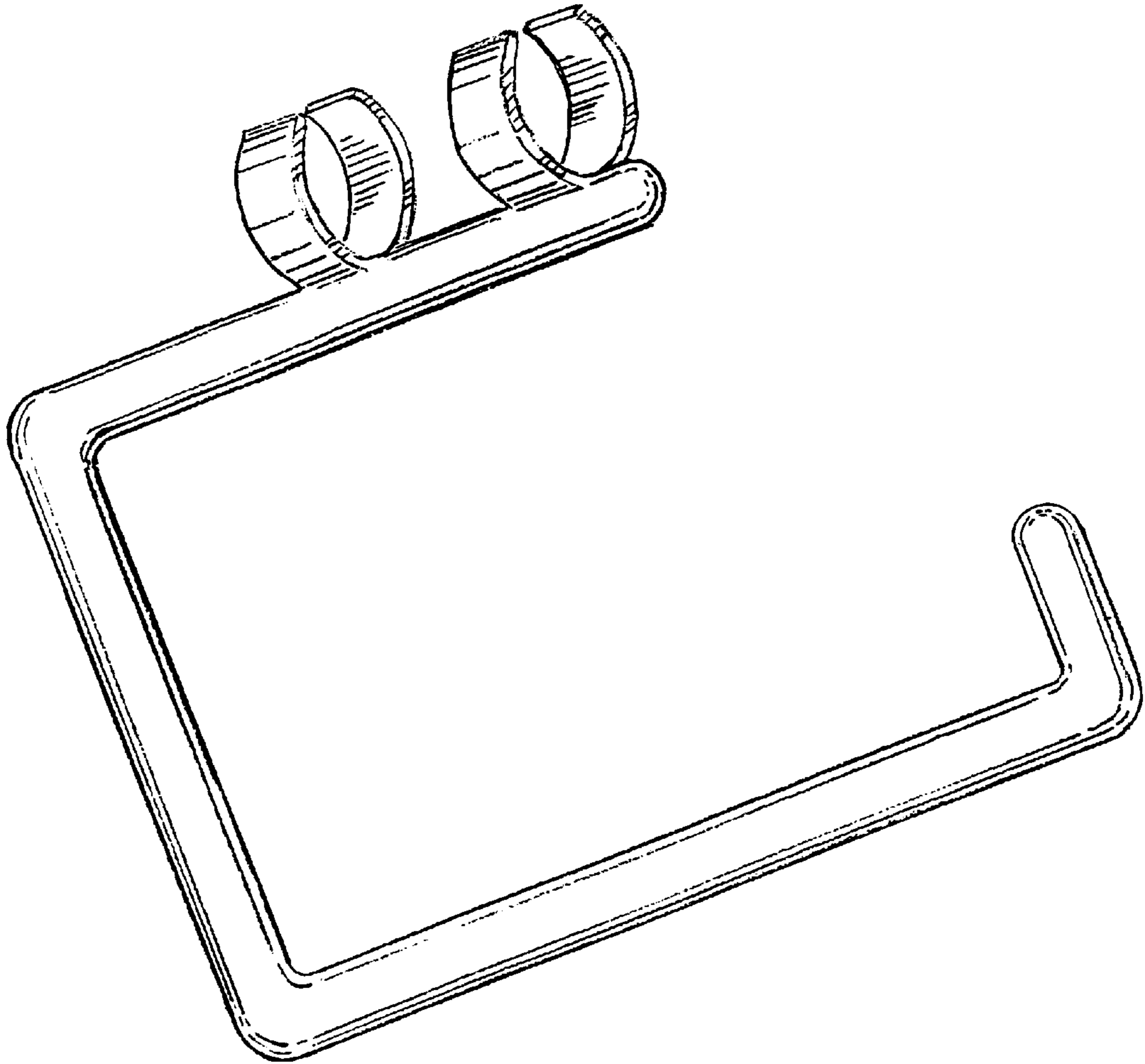


Fig. 3

Fig. 4

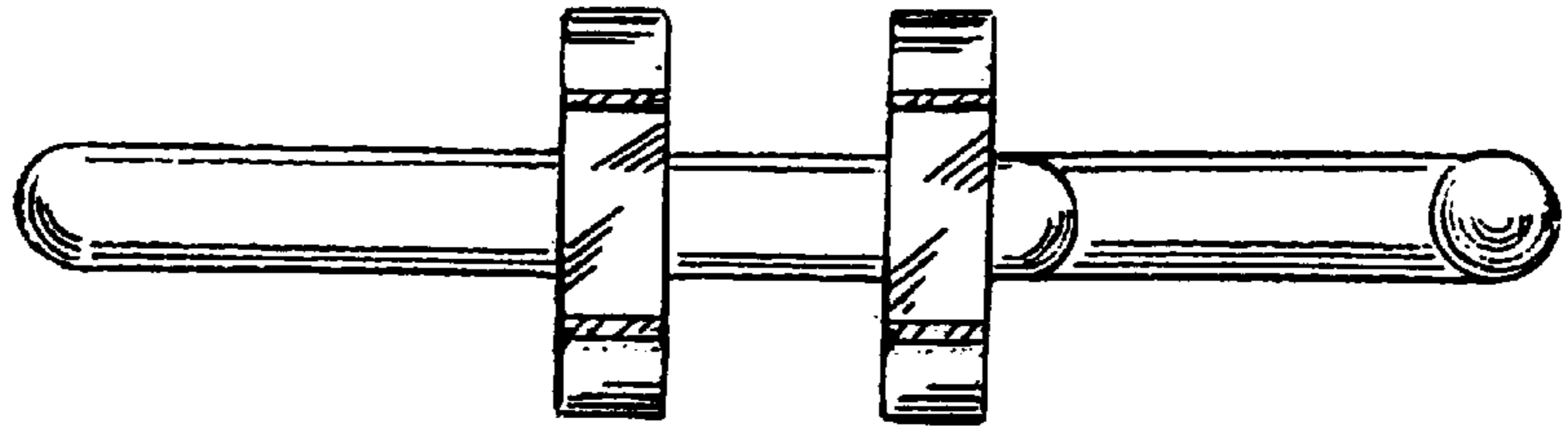


Fig. 5

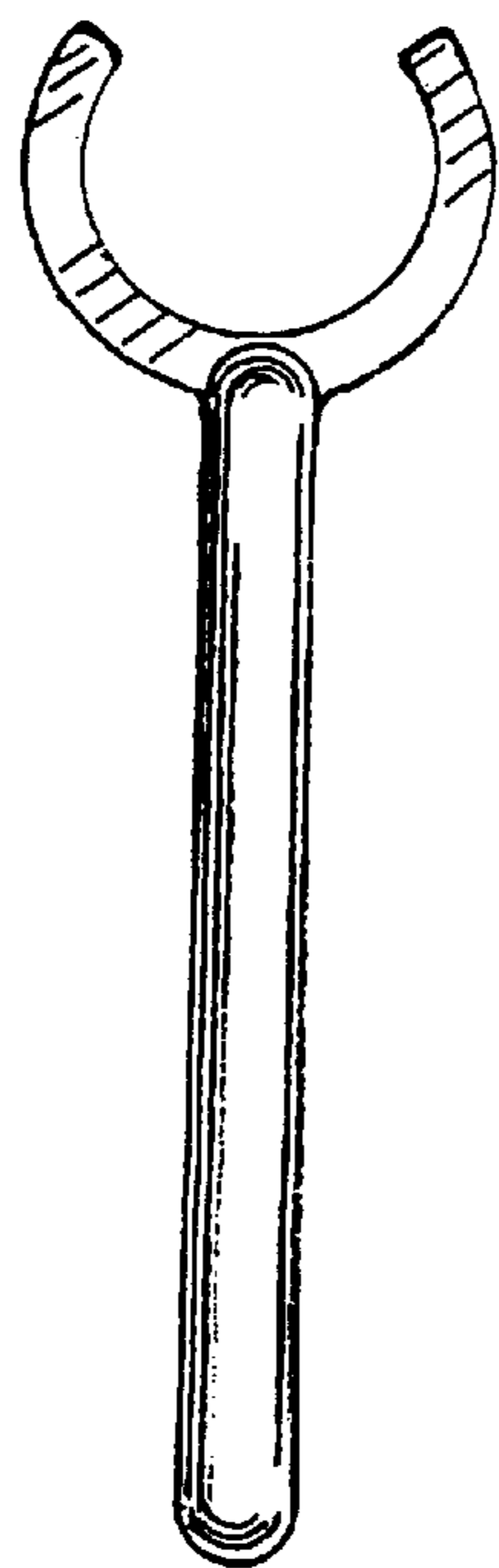
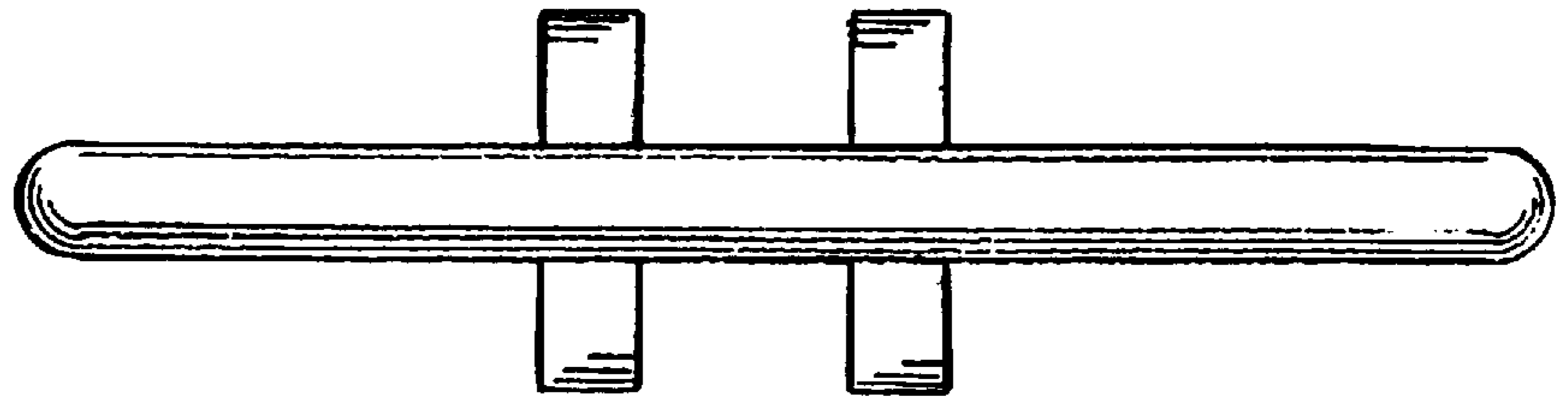


Fig. 6

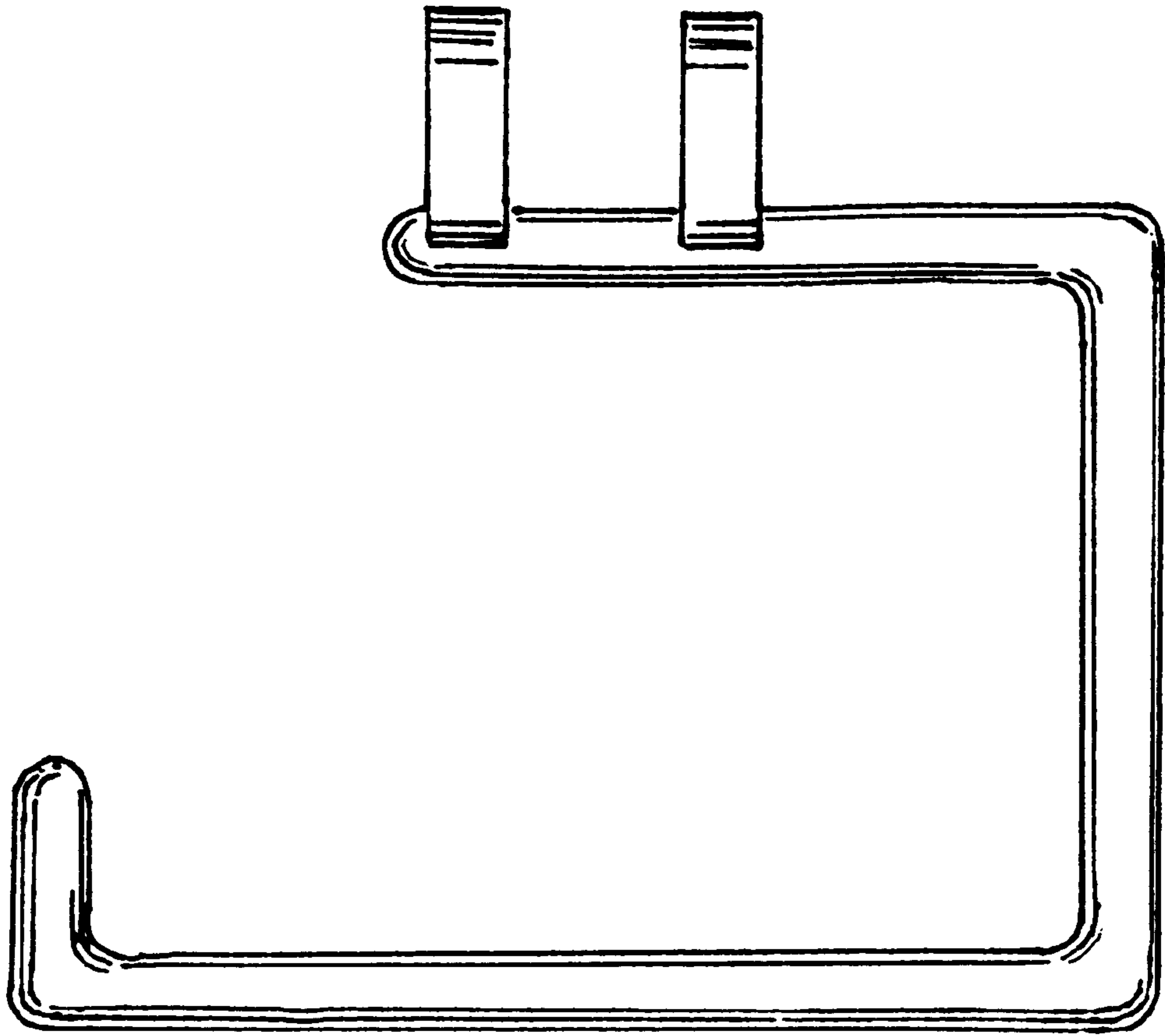


Fig. 7