



US00D431945S

# United States Patent [19]

Anderson et al.

[11] Patent Number: **Des. 431,945**

[45] Date of Patent: **\*\* Oct. 17, 2000**

[54] **CHAISE BACK REST**

[76] Inventors: **R. Jett Anderson**, 51 Warren St., Newburyport, Mass. 01950; **Edward J. Robertson, Jr.**, 1 Virginia Cir., Reading, Mass. 01867; **Carl A. Rotter**, 331 E. 88th St., #3D, New York, N.Y. 10128; **James M. Ryan**, 327 Central Park West, New York, N.Y. 10025

[\*\*] Term: **14 Years**

[21] Appl. No.: **29/108,830**

[22] Filed: **Aug. 4, 1999**

[51] **LOC (7) Cl.** ..... **06-06**

[52] **U.S. Cl.** ..... **D6/502**

[58] **Field of Search** ..... D6/334, 335, 336, D6/360, 361, 367, 368, 370, 374, 375, 500-502, 601; 297/354.1, 377, 423.1, 452.2

## [56] **References Cited**

### U.S. PATENT DOCUMENTS

D. 329,335	9/1992	Komai et al.	.....	D6/361
D. 354,404	1/1995	Greene	.....	D6/361
D. 358,496	5/1995	Walters	.....	D6/361
D. 385,118	10/1997	Grosfillex	.....	D6/361
D. 406,711	3/1999	Niemiec	.....	D6/502

*Primary Examiner*—Doris V. Coles  
*Assistant Examiner*—Mimosa De  
*Attorney, Agent, or Firm*—August E. Roehrig, Jr.; Hancock & Estabrook, LLP

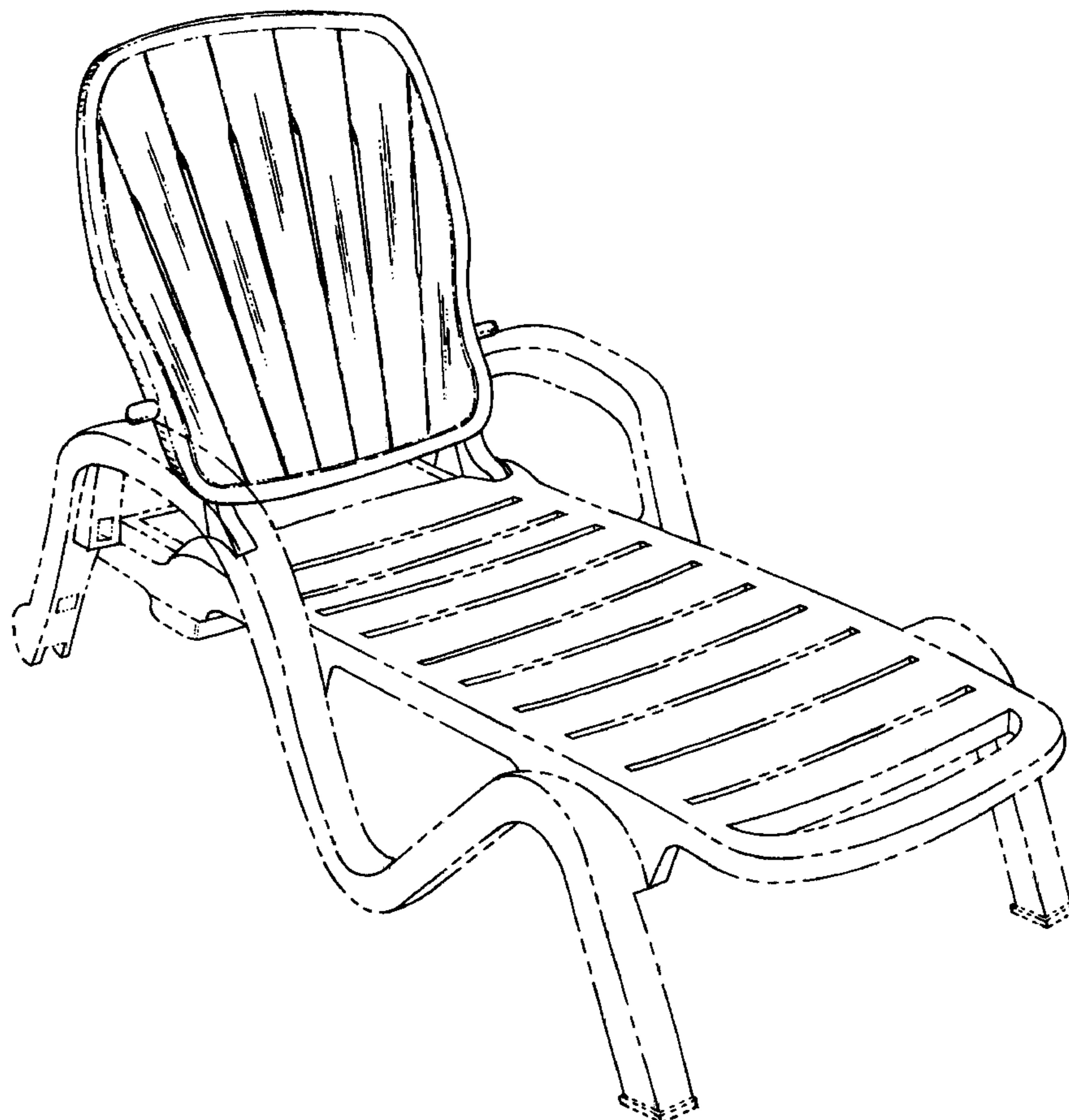
## [57] **CLAIM**

The ornamental design of a chaise back rest, as shown and described.

## **DESCRIPTION**

FIG. 1 is a perspective view of a chaise back rest; FIG. 2 is a left side perspective view of the chaise back rest as illustrated in FIG. 1, the right side perspective being a mirror image thereof; FIG. 3 is a front view of the back rest illustrated in FIG. 1; FIG. 4 is a rear view of the back rest shown in FIG. 1; FIG. 5 is a left side perspective view of the back rest of FIG. 1 in a reclined position, the right side being a mirror image thereof; FIG. 6 is a top view of the back rest illustrated in FIG. 1; and, FIG. 7 is a left side view of the back rest illustrated in FIG. 1, the right side being a mirror image thereof. The broken line showing of the seat, arm rest and leg of the chaise is for illustrative purposes only and forms no part of the claimed design.

**1 Claim, 6 Drawing Sheets**



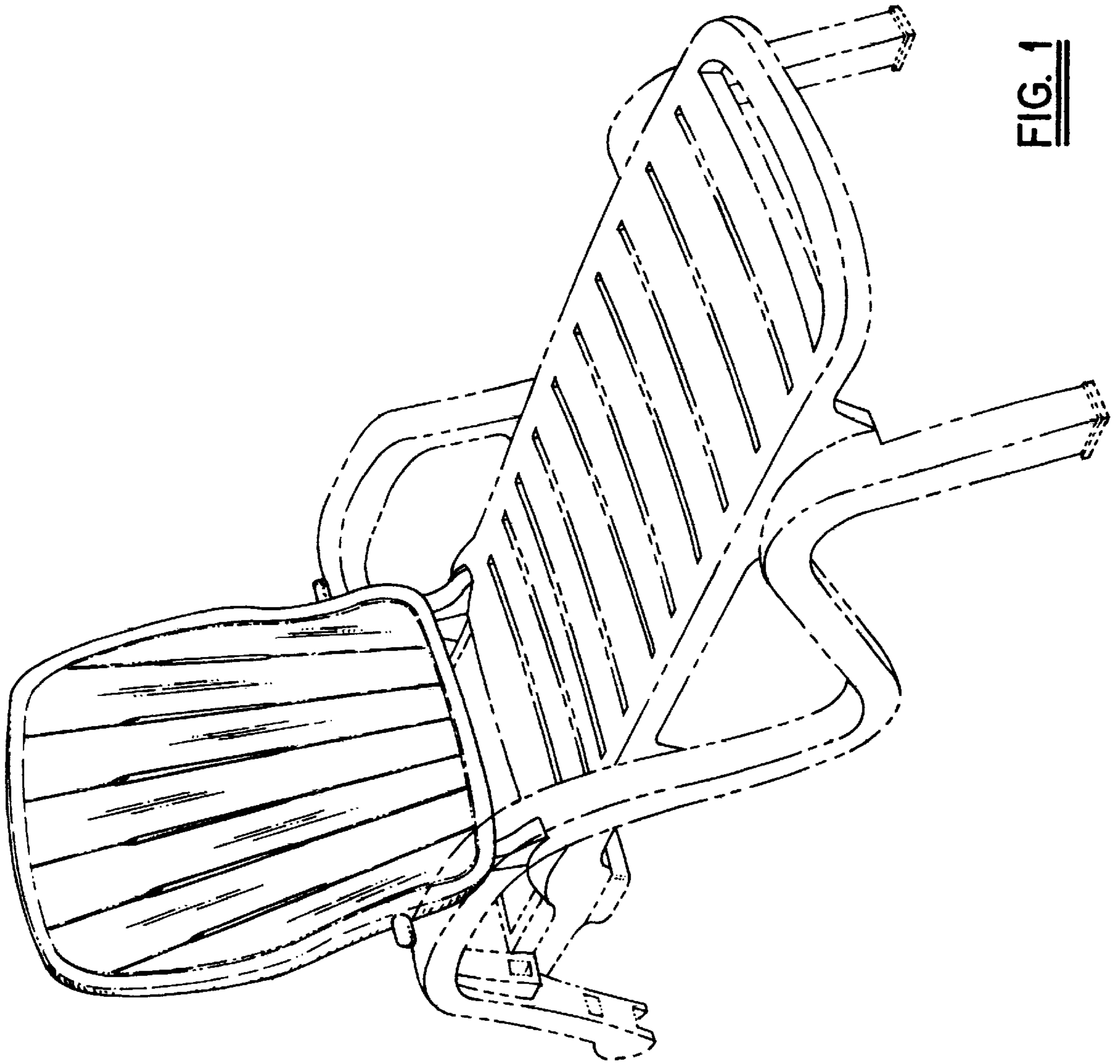


FIG. 1

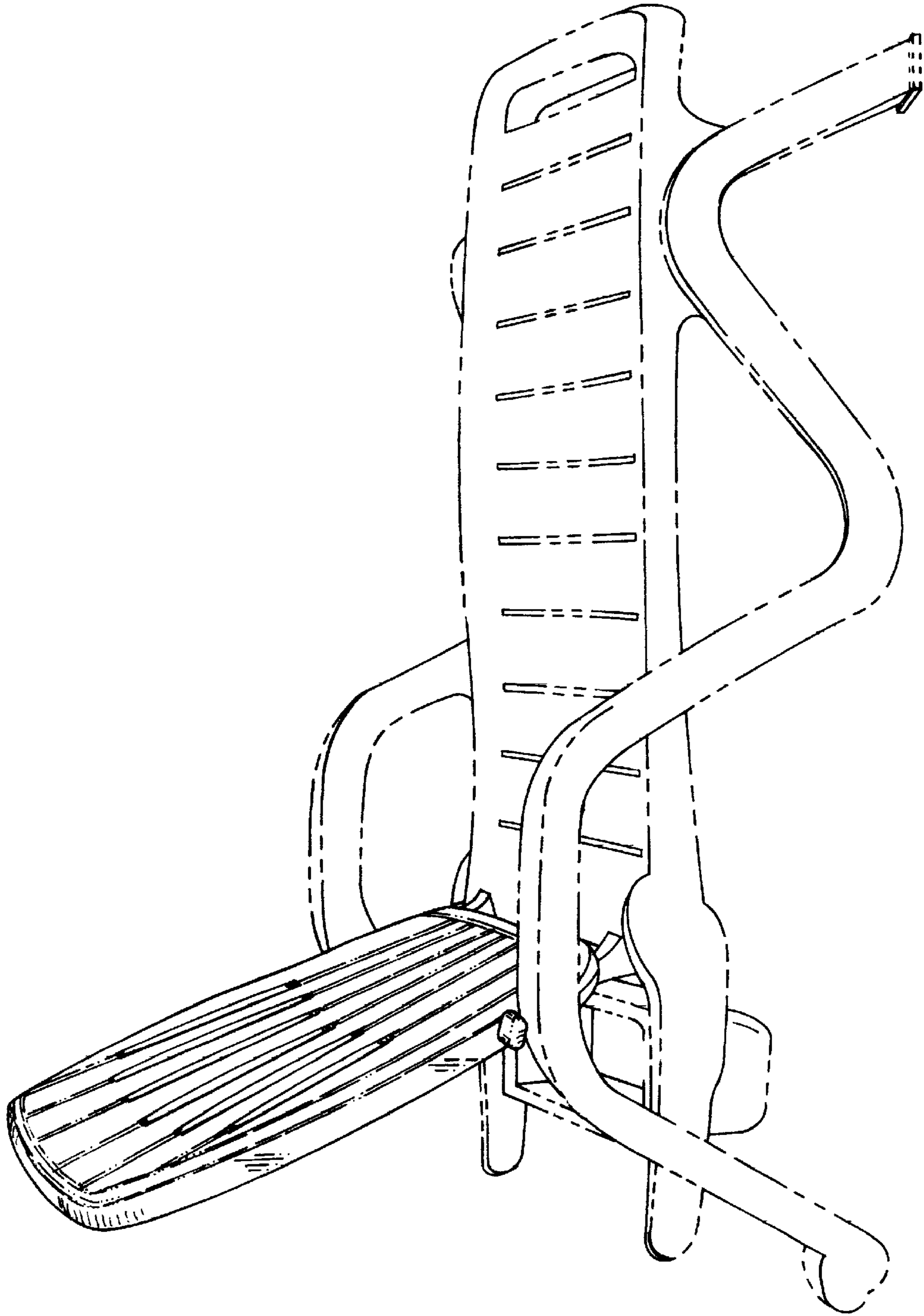


FIG. 2

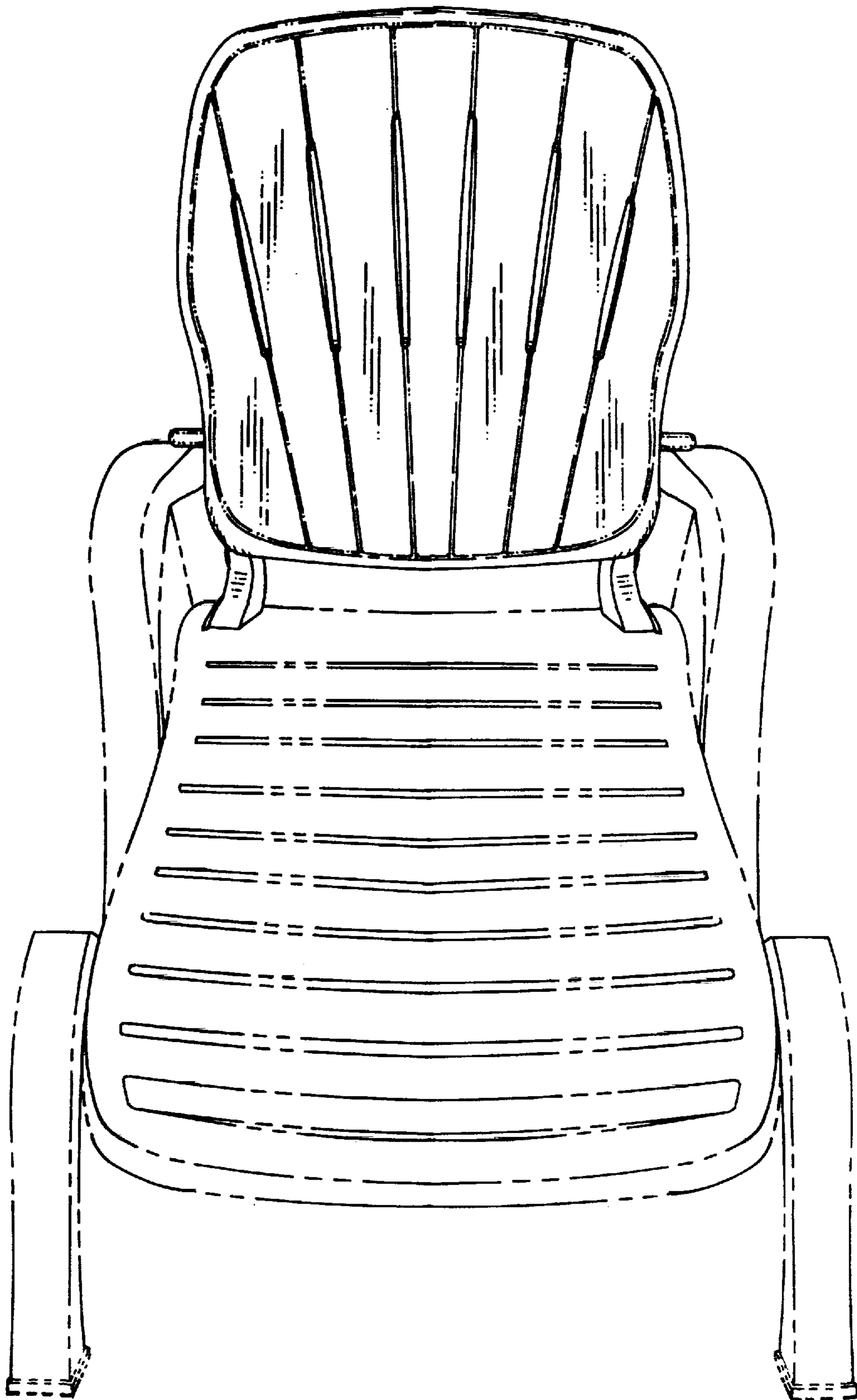


FIG. 3

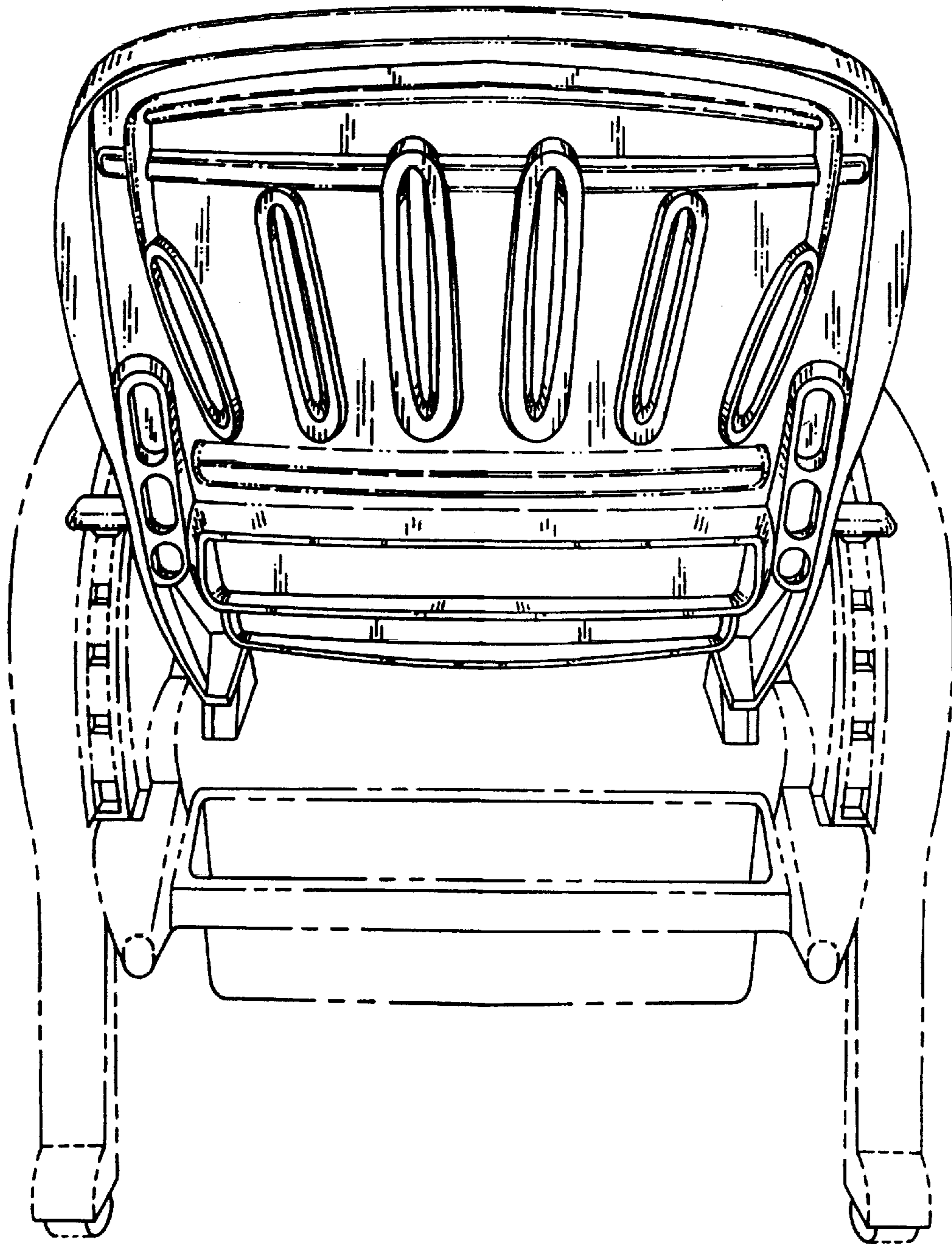
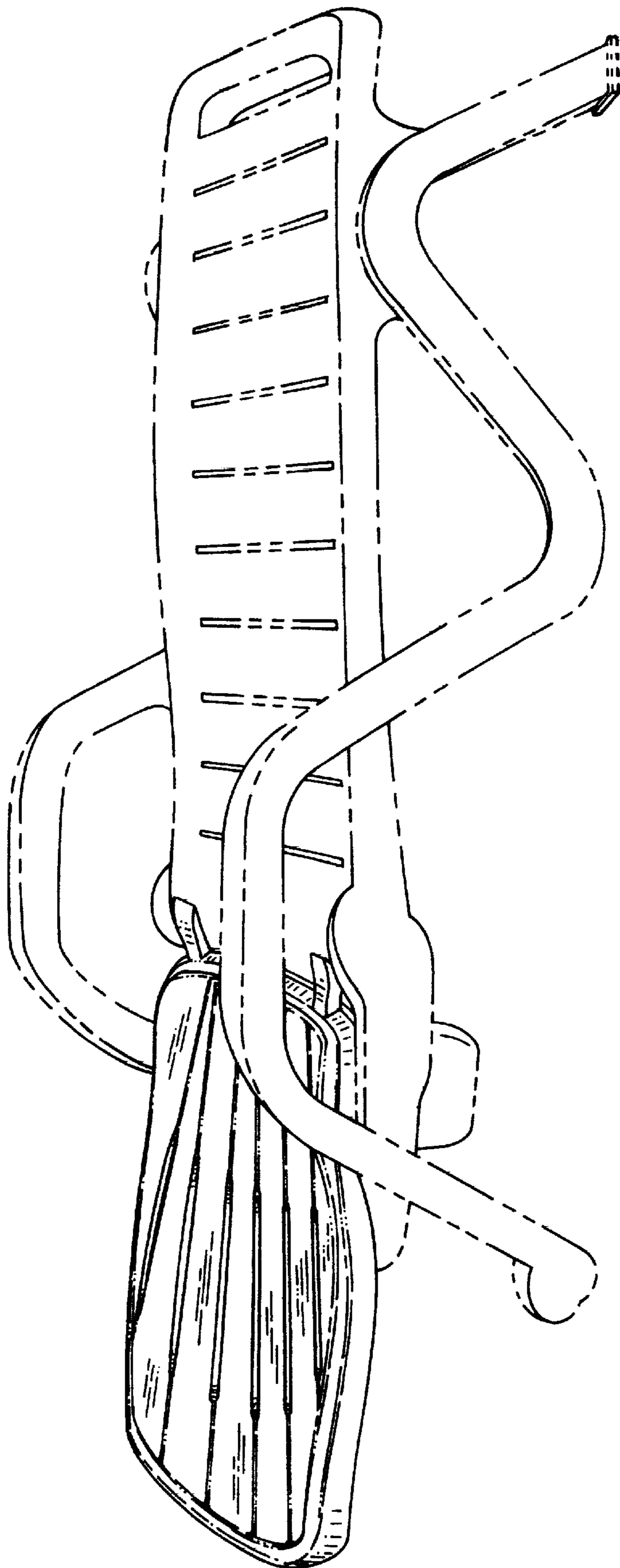


FIG. 4



**FIG. 5**

FIG. 6



FIG. 7

