



US00D431944S

# United States Patent [19]

Cazarez et al.

[11] **Patent Number: Des. 431,944**

[45] **Date of Patent: \*\* Oct. 17, 2000**

[54] **MOBILE ARM REST FOR USE WITH MOTOR VEHICLE AND IN THE HOME**

[76] Inventors: **Richard Cazarez; Steve M. Haley, Sr.**, both of 1318 Loma De Paz, Escondido, Calif. 92027

[\*\*] Term: **14 Years**

[21] Appl. No.: **29/111,070**

[22] Filed: **Sep. 17, 1999**

[51] **LOC (7) Cl.** ..... **06-06**

[52] **U.S. Cl.** ..... **D6/501; D12/421**

[58] **Field of Search** ..... D6/595, 596, 601, D6/604, 501; 5/630, 633, 636, 637, 646, 652, 653, 654, 655.3, 655.9, 656; 248/118, 118.5; 297/411.23, 411.24, 411.25, 411.46; D12/421

[56] **References Cited**

**U.S. PATENT DOCUMENTS**

D. 212,403	10/1968	Vona	.....	D12/421
2,524,659	10/1950	Gorman	.....	297/411.24
2,668,582	2/1954	Goodfellow	.....	297/411.24
4,858,995	8/1989	Young	.....	297/411.23

*Primary Examiner*—Janice E. Seeger

*Attorney, Agent, or Firm*—John D. Gugliotta

[57] **CLAIM**

The ornamental design for a mobile arm rest for use with motor vehicle and in the home, as shown and described.

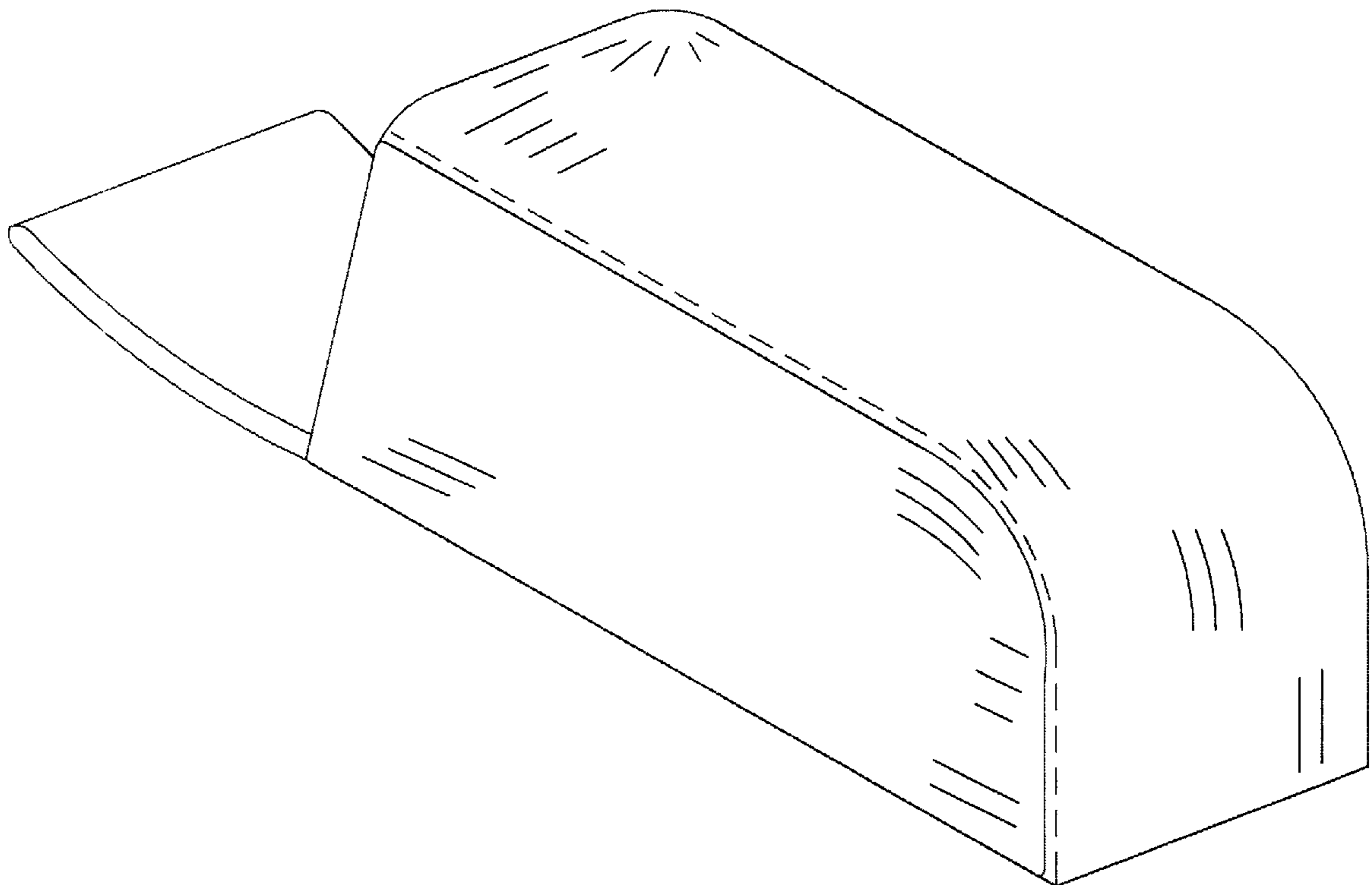
**DESCRIPTION**

FIG. 1 is a perspective view of a mobile arm rest for use with motor vehicle and in the home showing my new design; FIG. 2 is a left side elevational view thereof, the opposite side being a mirror image; FIG. 3 is a top plan view thereof; FIG. 4 is a bottom plan view thereof; FIG. 5 is a front elevational view thereof; FIG. 6 is a rear elevational view; FIG. 7 is an in use view of the present invention, shown with motor vehicle seat; and, FIG. 8 is an in-use view of the present invention, shown with a piece of home furniture.

The dashed lines in FIG. 7 represent a motor vehicle seat for use with the present design, and forms no part of the claimed invention.

The dashed lines in FIG. 8 represent a piece of home furniture for use with the present design, and forms no part of the claimed invention.

**1 Claim, 8 Drawing Sheets**



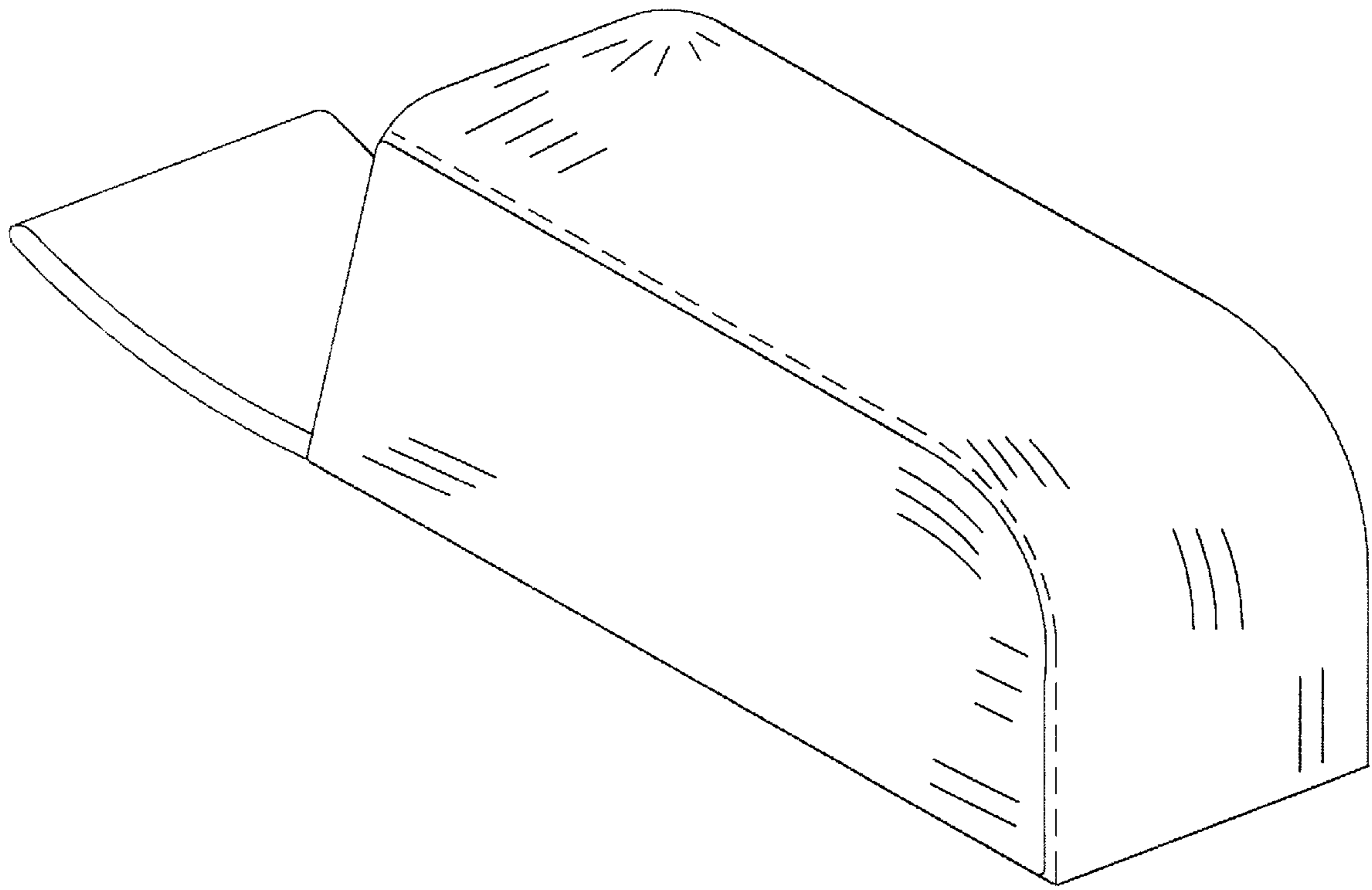


FIGURE 1

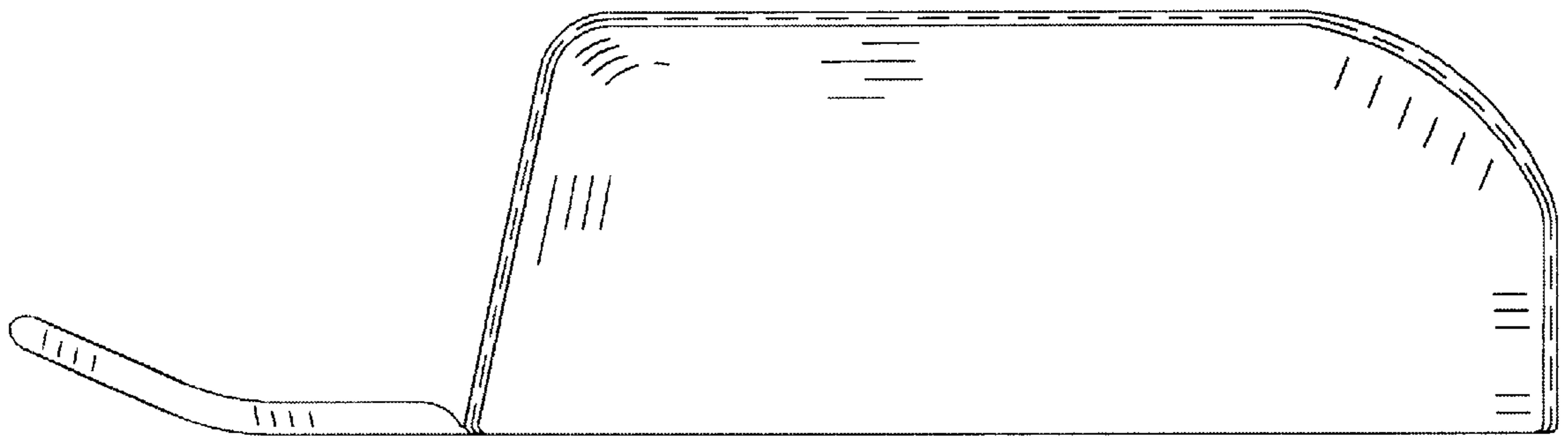


FIGURE 2

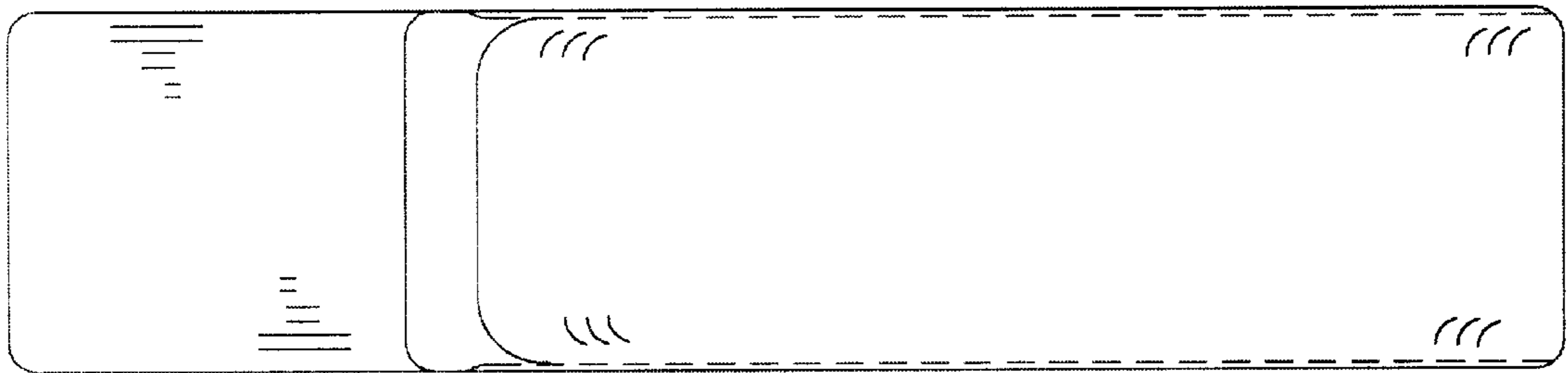


FIGURE 3

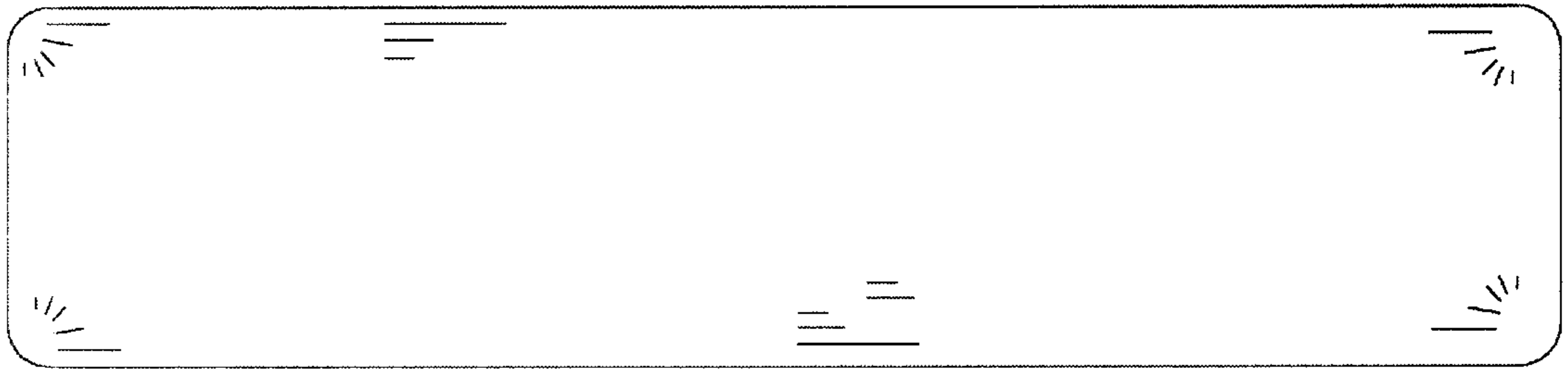


FIGURE 4

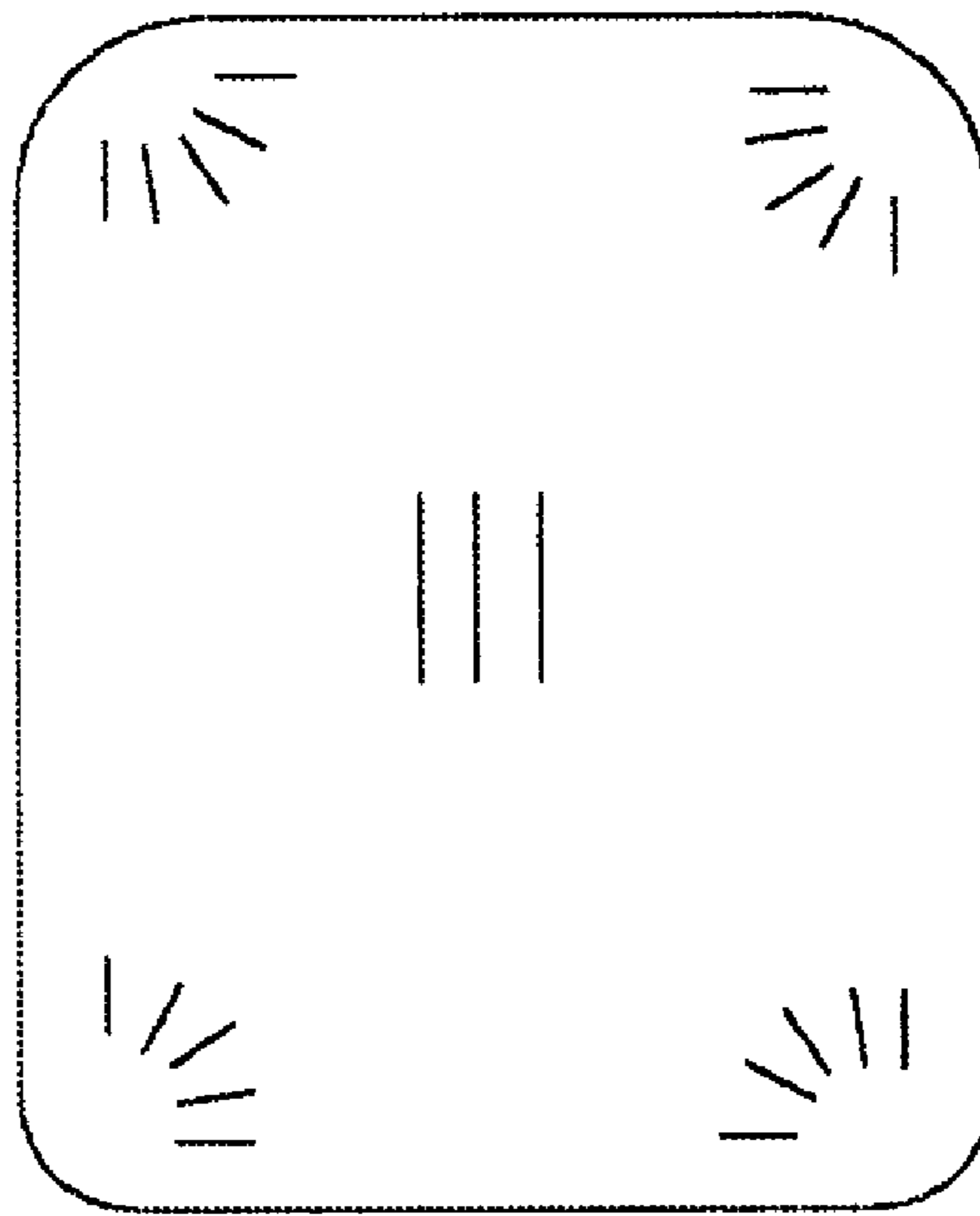


FIGURE 5

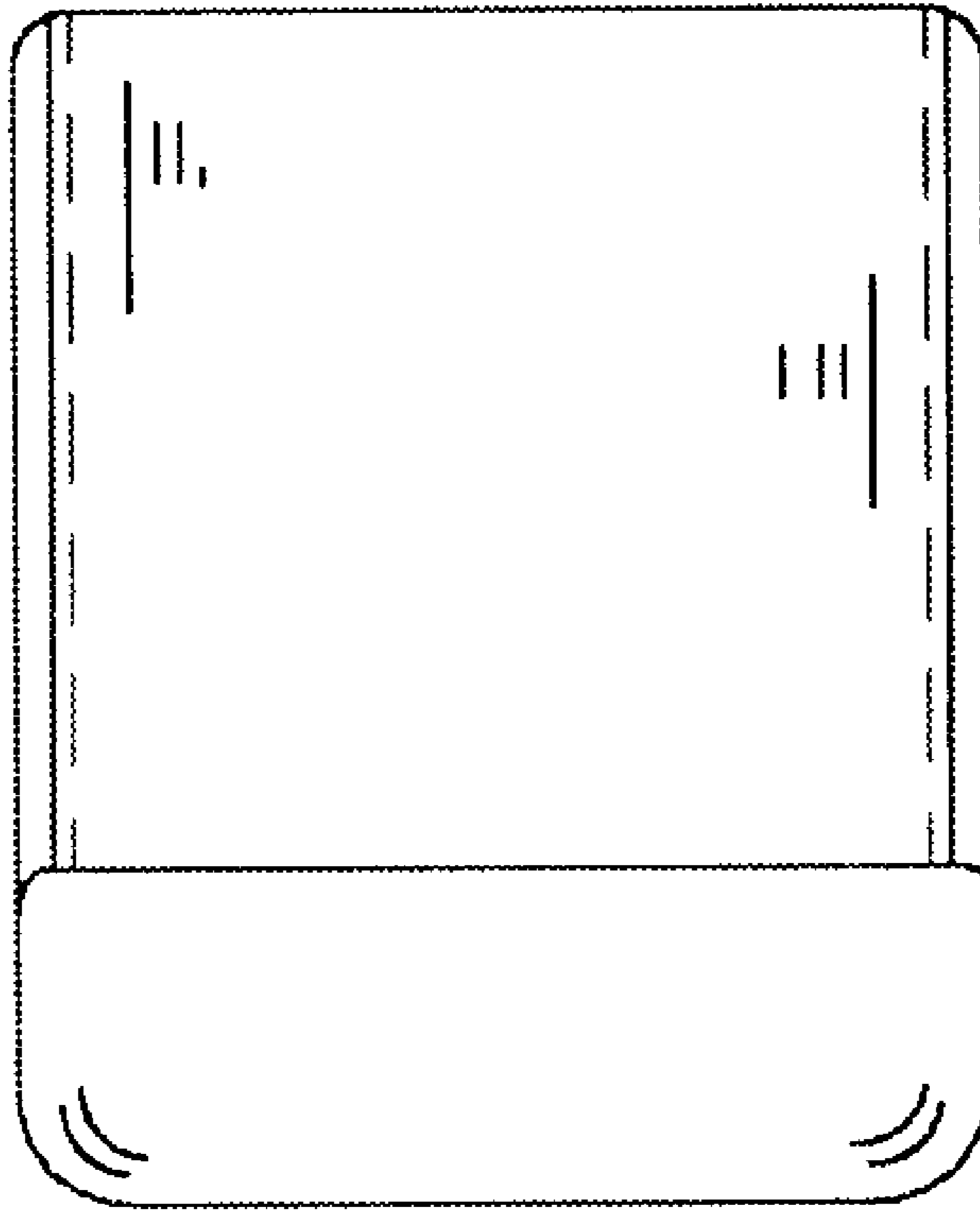


FIGURE 6

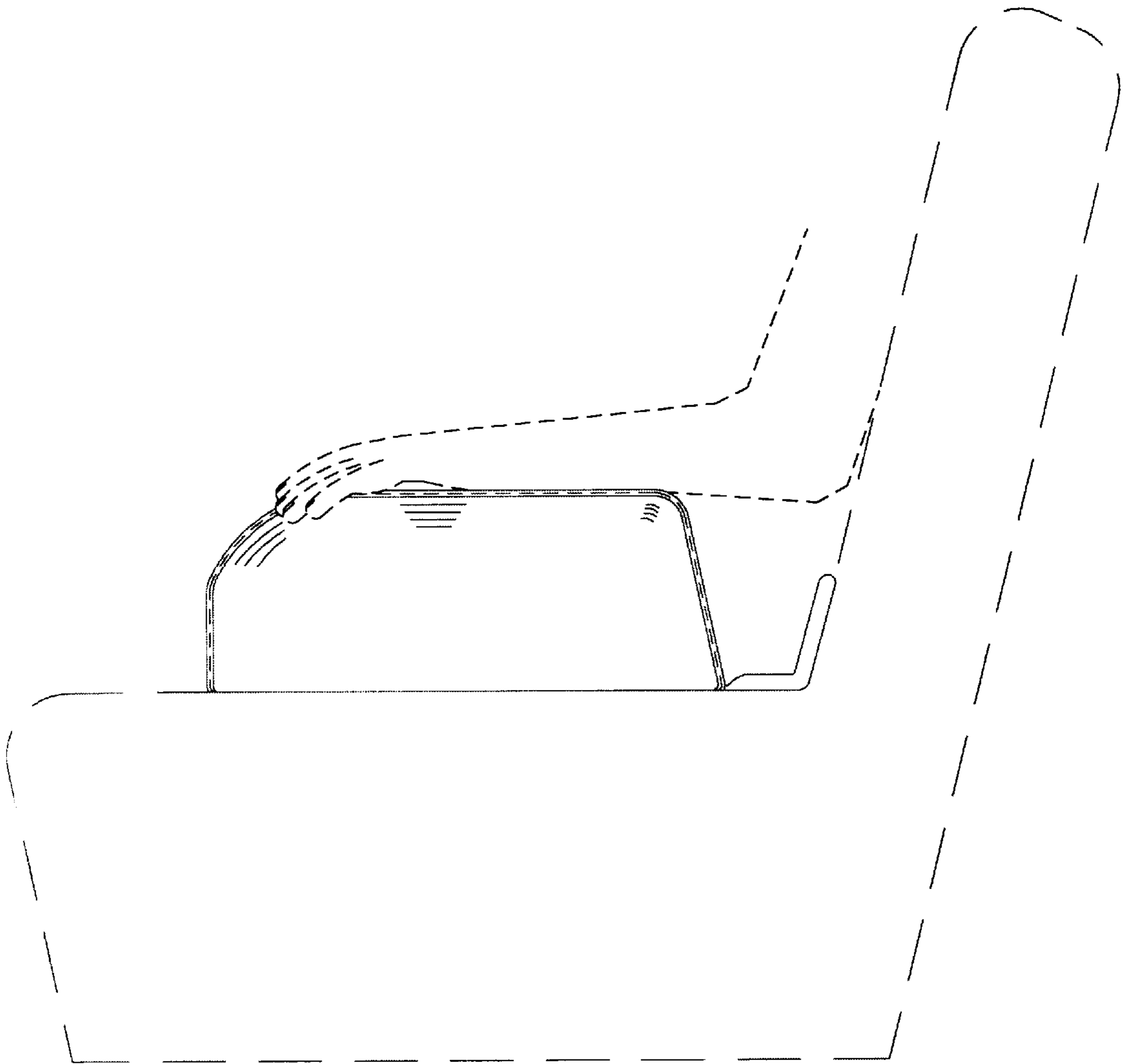


FIGURE 7



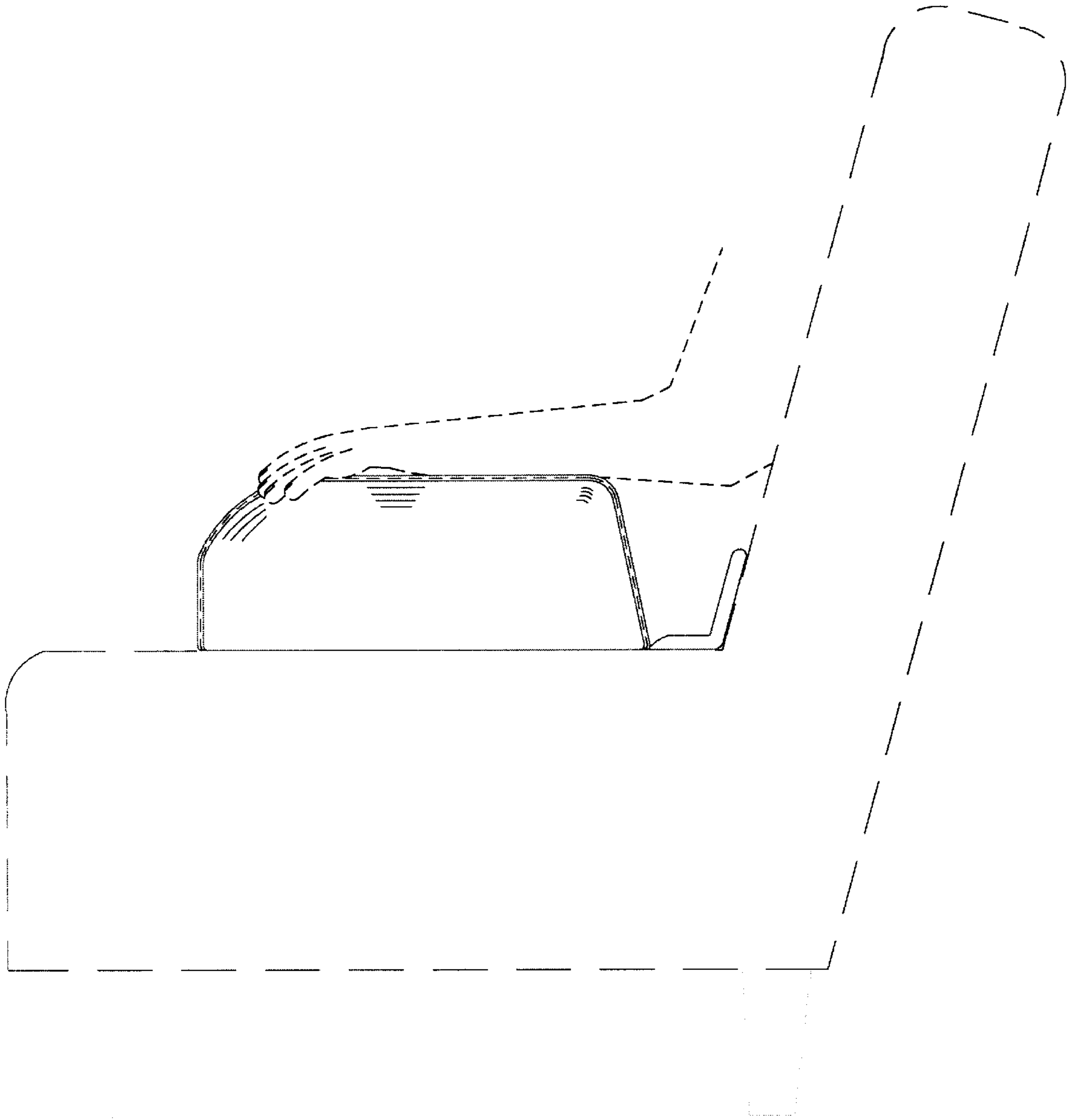


FIGURE 8