



US00D431936S

United States Patent [19]

[11] **Patent Number: Des. 431,936**

Moen et al.

[45] **Date of Patent: ** Oct. 17, 2000**

[54] **SHELVING UNIT**

[76] Inventors: **Lisanne Marie Moen**, 7355 42 Street, Edmonton, Alberta; **Stephen Alan Moen**, 7355 42 Str., Edmonton, Alta., both of Canada, T6B 2T1

D. 369,485	5/1996	Lechleiter et al.	D6/479
D. 381,547	7/1997	Kelley	D6/461 X
5,358,124	10/1994	Mueller	211/41.12
5,378,056	1/1995	Wilson et al.	211/189 X
5,984,115	11/1999	Koestenblatt	211/40

[**] Term: **14 Years**

Primary Examiner—Cathron B. Matta

[21] Appl. No.: **29/105,459**

[57] **CLAIM**

[22] Filed: **May 25, 1999**

The ornamental design for a shelving unit, as shown and described.

[51] **LOC (7) Cl.** **06-04**

DESCRIPTION

[52] **U.S. Cl.** **D6/461**

FIG. 1 is a top plan view of the shelving unit. FIG. 2 is a side elevational view thereof of the long side of the shelving unit, the two remaining elevational views of the long sides are identical thereto.

[58] **Field of Search** D6/396, 407, 628, D6/629, 630, 449, 455, 457, 461, 477-479; D34/18, 21; 108/59; 211/40, 41.12, 189; 312/9.1, 9.9, 9.53, 9.55, 9.56

FIG. 3 is a side elevational view thereof of the short side of the shelving unit, the two remaining elevational views of the short sides are identical thereto.

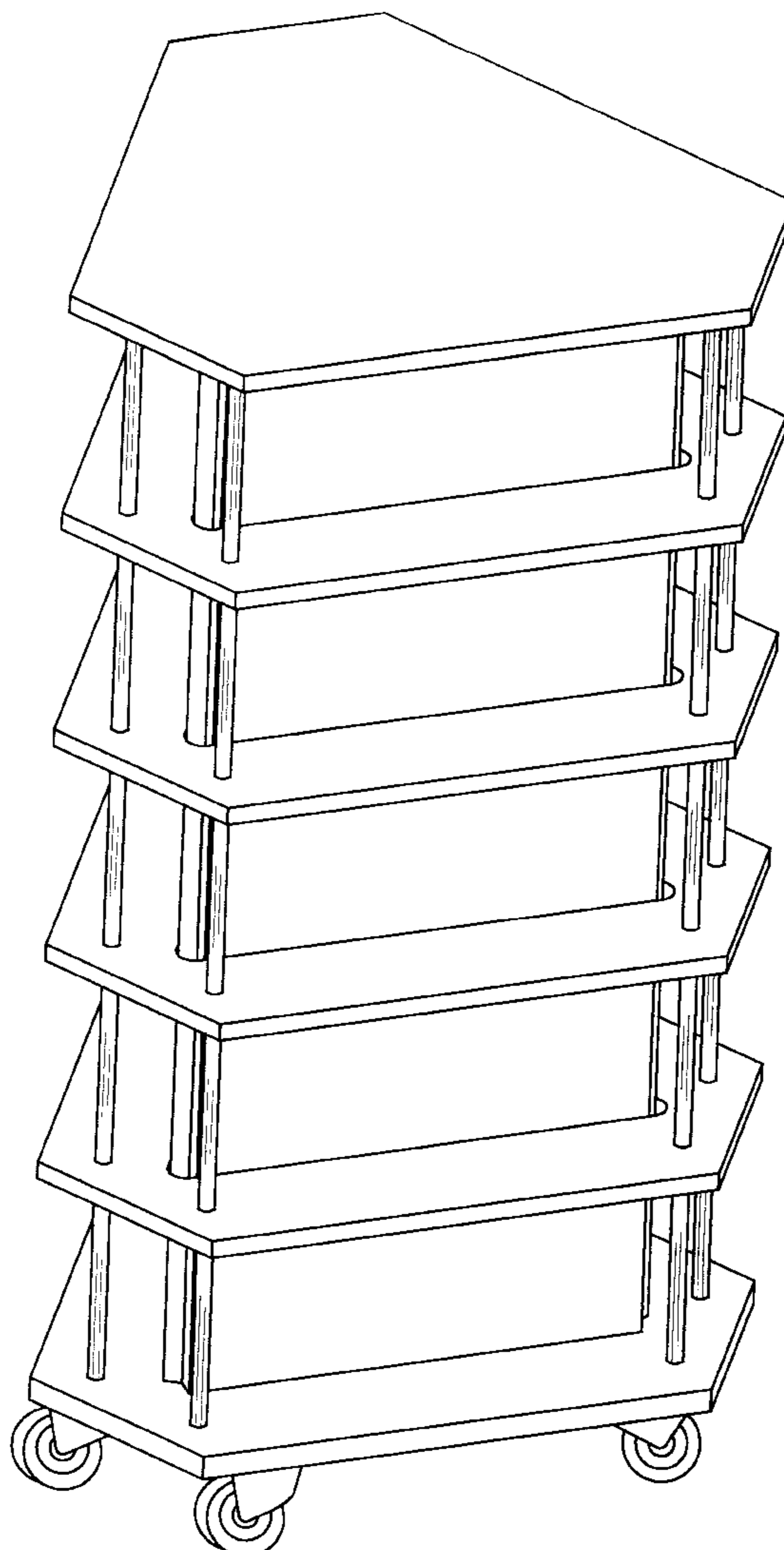
[56] **References Cited**

FIG. 4 is a bottom plan view thereof; and, FIG. 5 is a perspective view thereof.

U.S. PATENT DOCUMENTS

D. 240,579	7/1976	Bower .	
D. 329,552	9/1992	Wells et al.	D6/461

1 Claim, 3 Drawing Sheets



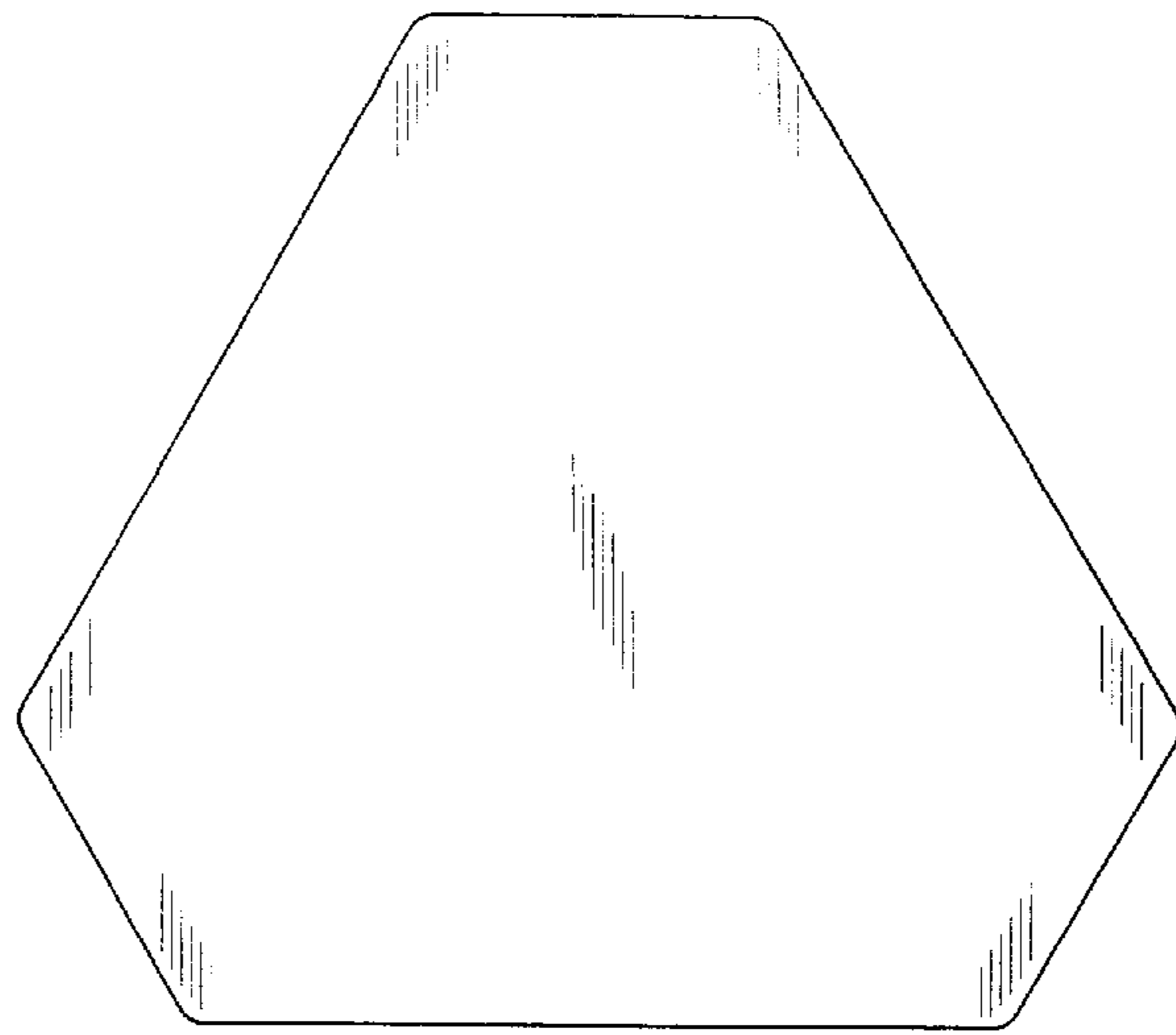


figure 1.

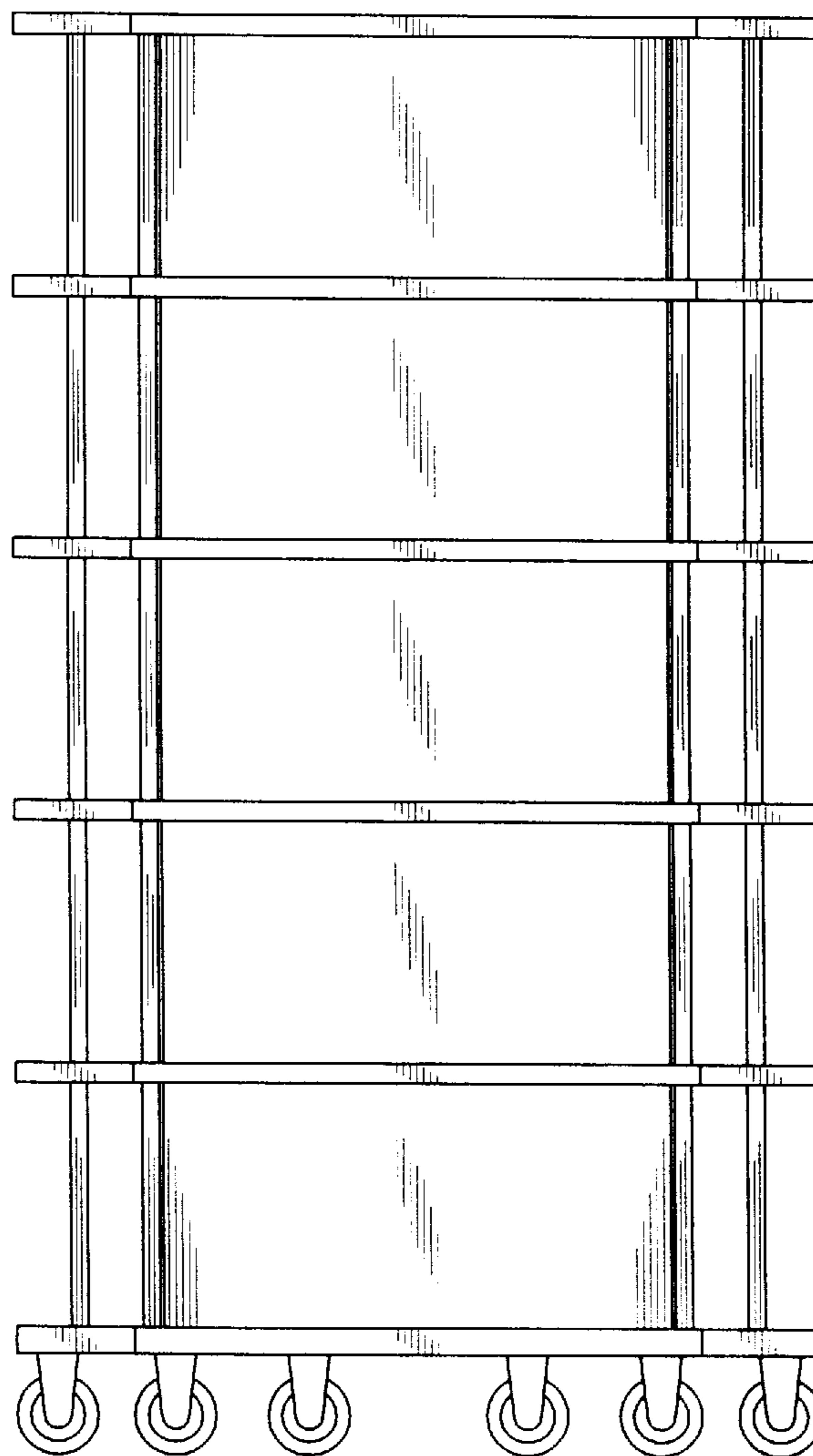


figure 2.

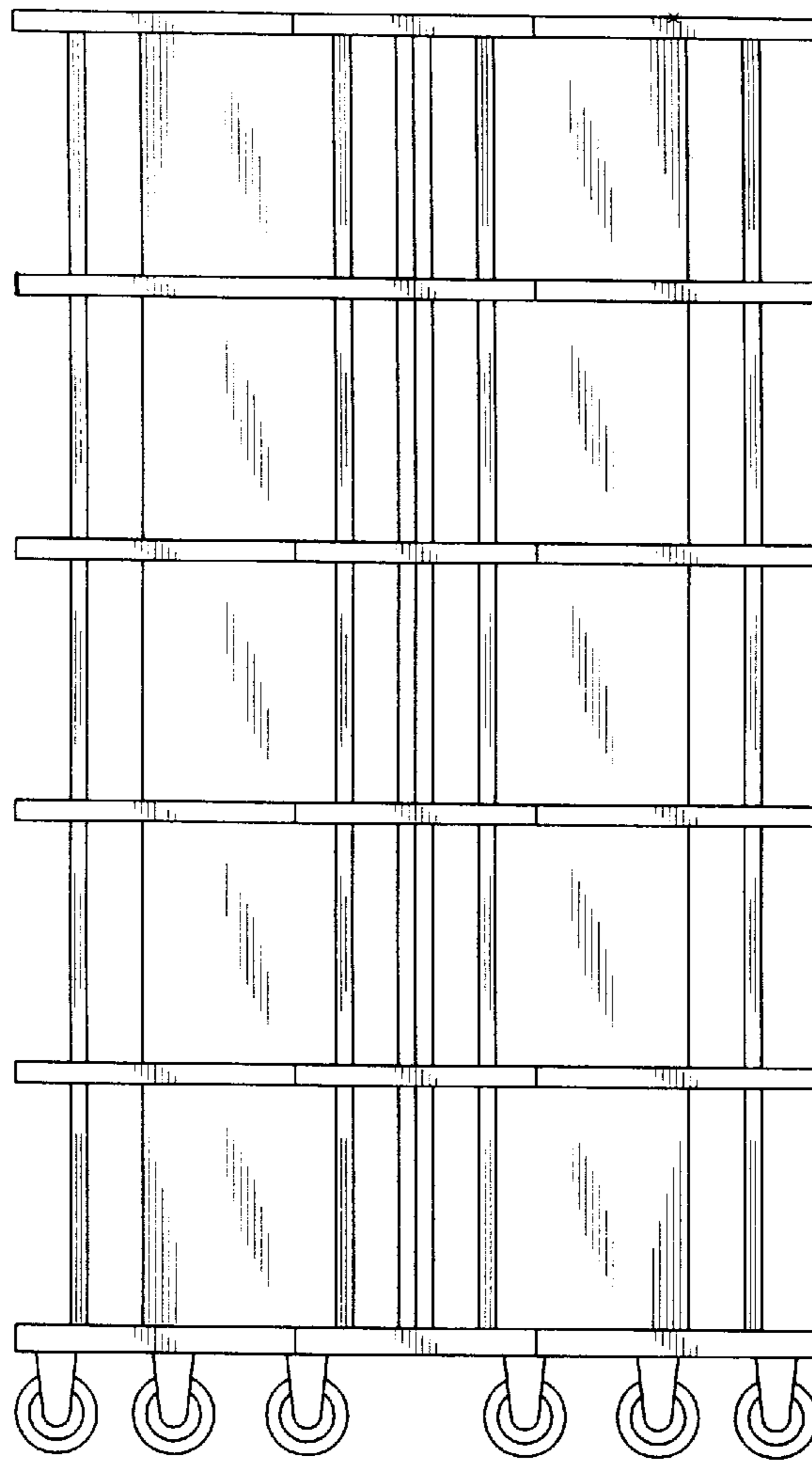


figure 3.

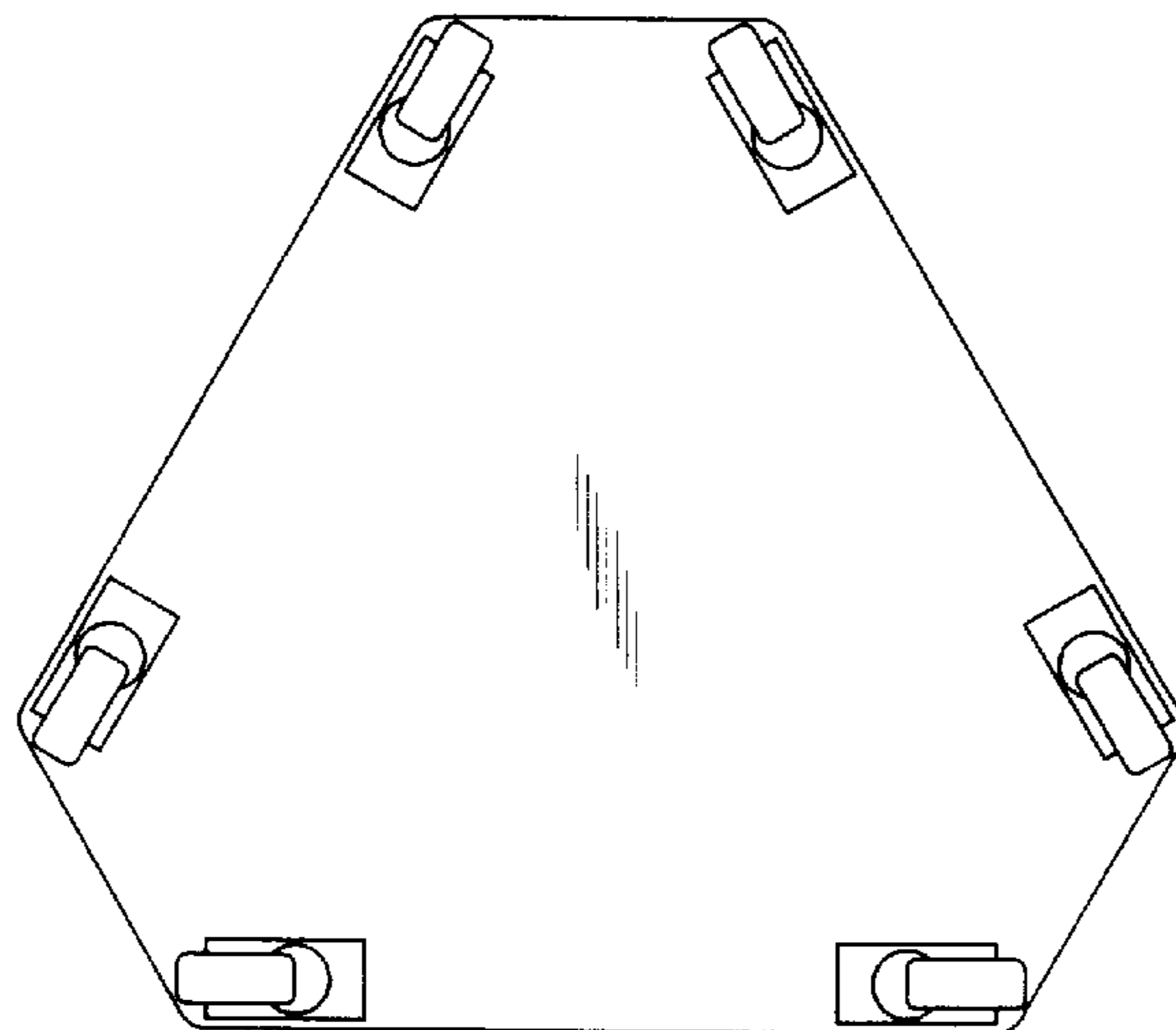


figure 4.

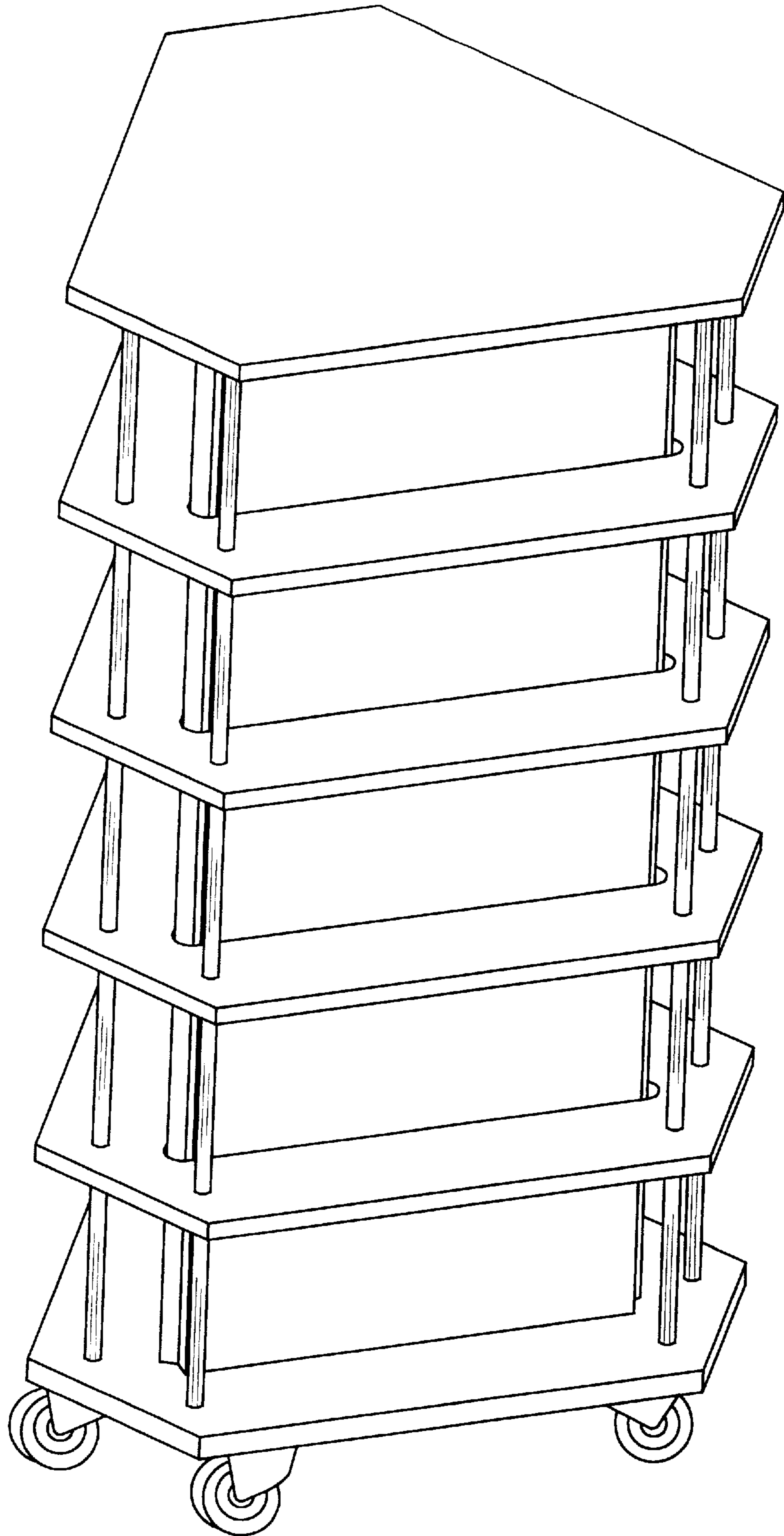


figure 5.