



US00D431935S

United States Patent [19] Wistehuff, Sr.

[11] **Patent Number: Des. 431,935**

[45] **Date of Patent: ** Oct. 17, 2000**

[54] **CONSOLE**

[75] Inventor: **Daniel David Wistehuff, Sr.,**
Greensboro, N.C.

[73] Assignee: **Thomasville Furniture Industries,**
Inc., Thomasville, N.C.

[**] Term: **14 Years**

[21] Appl. No.: **29/112,331**

[22] Filed: **Oct. 14, 1999**

[51] **LOC (7) Cl. 06-03**

[52] **U.S. Cl. D6/451; D6/480**

[58] **Field of Search** D6/480-489, 495-499,
D6/451, 452, 450; 108/150, 153.1, 155,
156, 157.1, 161; 248/188, 188.1, 188.7

[56] **References Cited**

U.S. PATENT DOCUMENTS

D. 342,632	12/1993	Ferguson	D6/452
D. 356,910	4/1995	Tatum et al.	D6/480
D. 373,494	9/1996	Lee	D6/480
D. 377,426	1/1997	Rosenbrock	D6/480

OTHER PUBLICATIONS

Table, source unknown.

Seat, source unknown.

Picture of Sable Antelope, source unknown.

Primary Examiner—Janice E. Seeger

Attorney, Agent, or Firm—Rhodes & Mason, P.L.L.C.

[57] **CLAIM**

The ornamental design for a console, as shown and described.

DESCRIPTION

FIG. 1 is a perspective view of a console showing my new design;

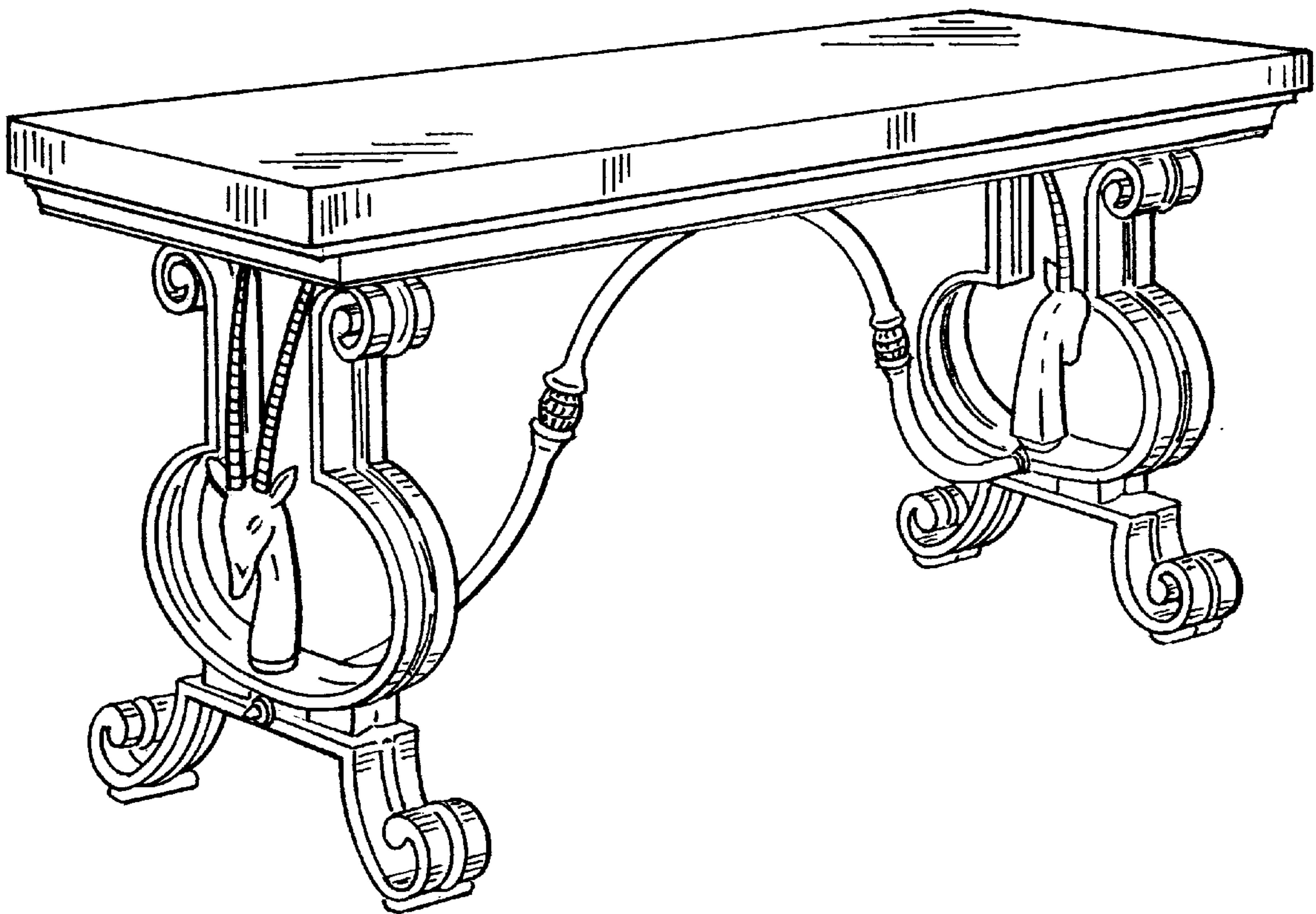
FIG. 2 is an end view, the opposite end being a mirror image thereof;

FIG. 3 is a side view, the opposite side being a mirror image thereof; and,

FIG. 4 is a top plan view thereof.

The bottom elevational view of the design is not shown and forms no part of the claim design.

1 Claim, 2 Drawing Sheets



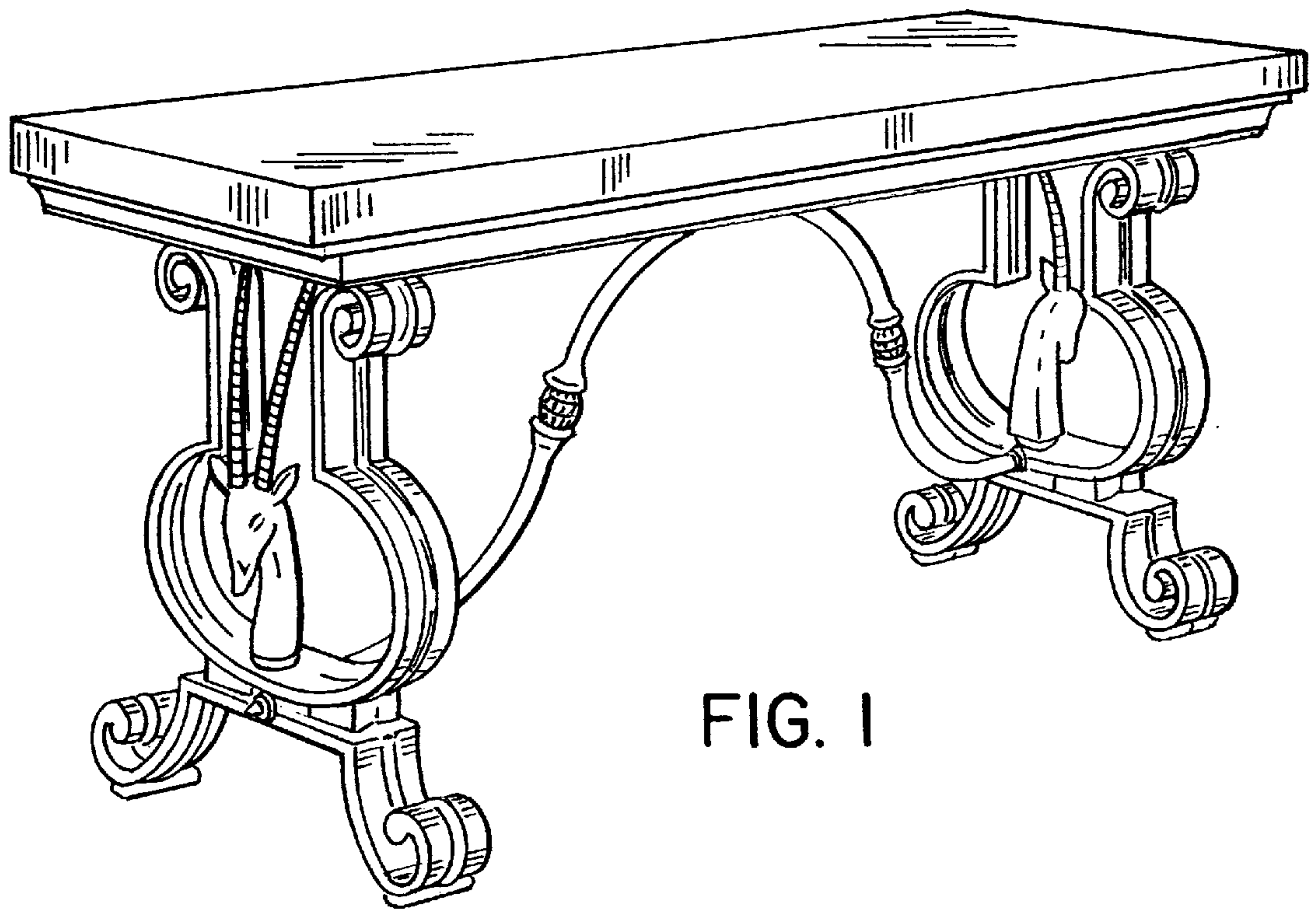


FIG. 1

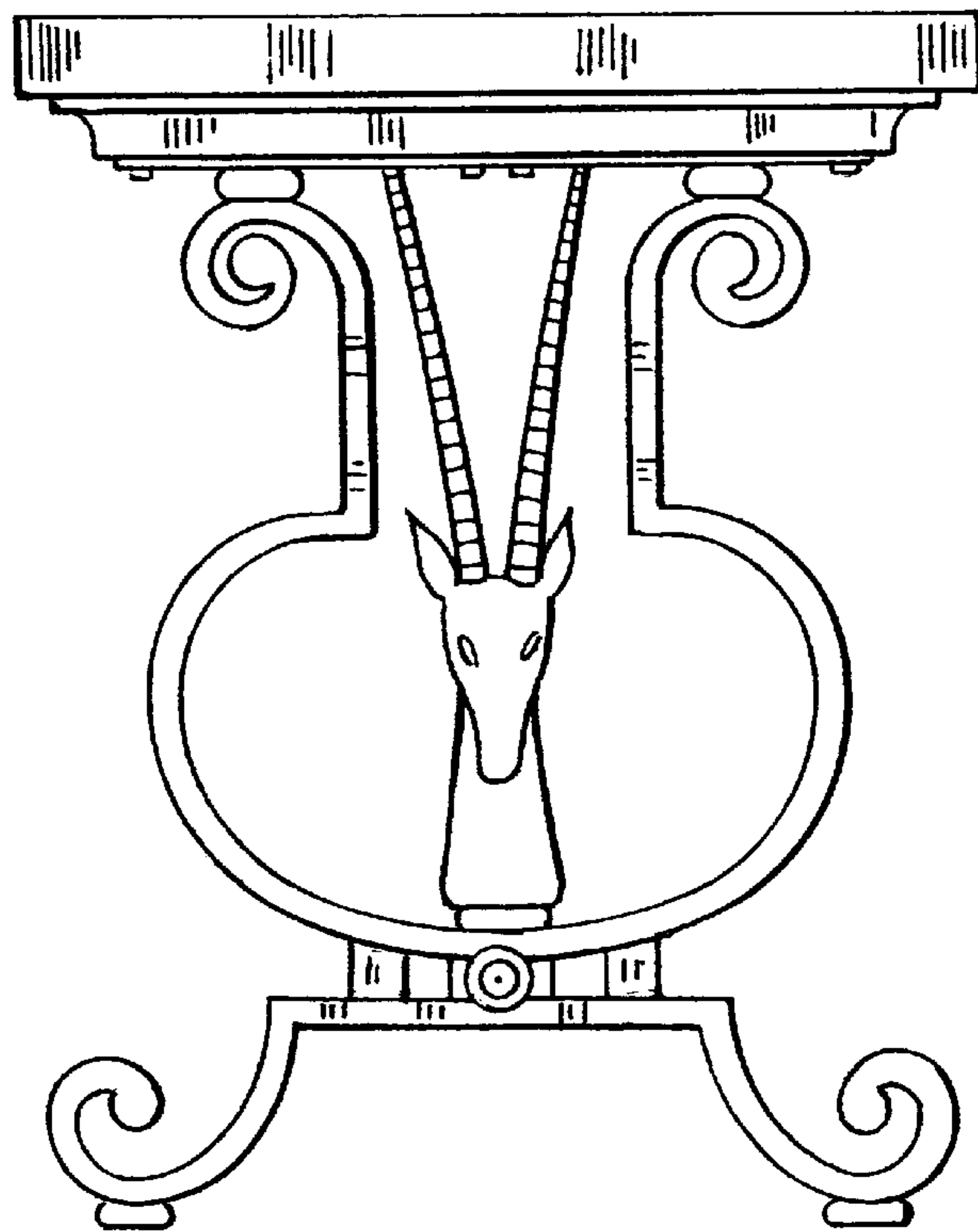


FIG. 2

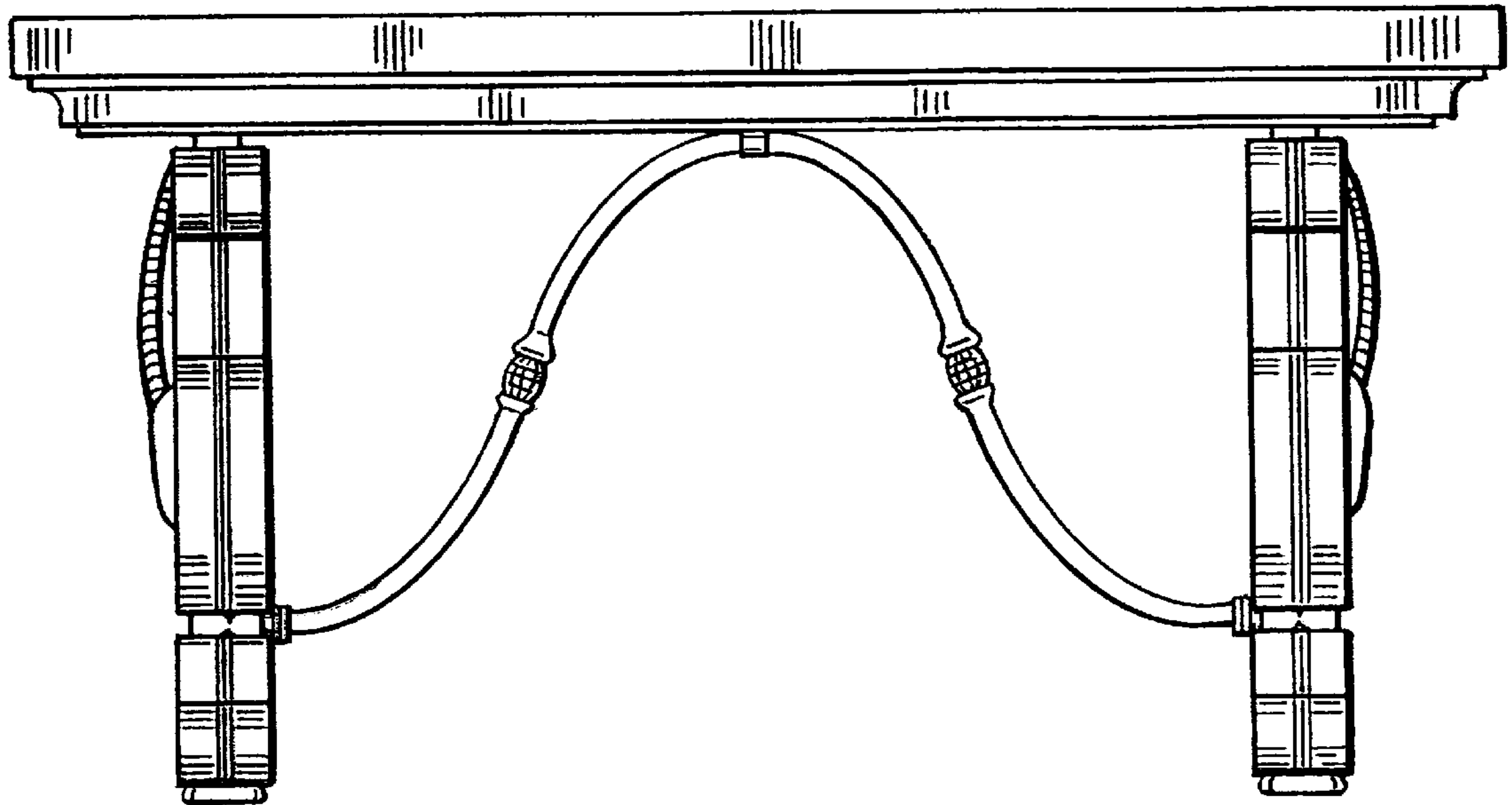


FIG. 3

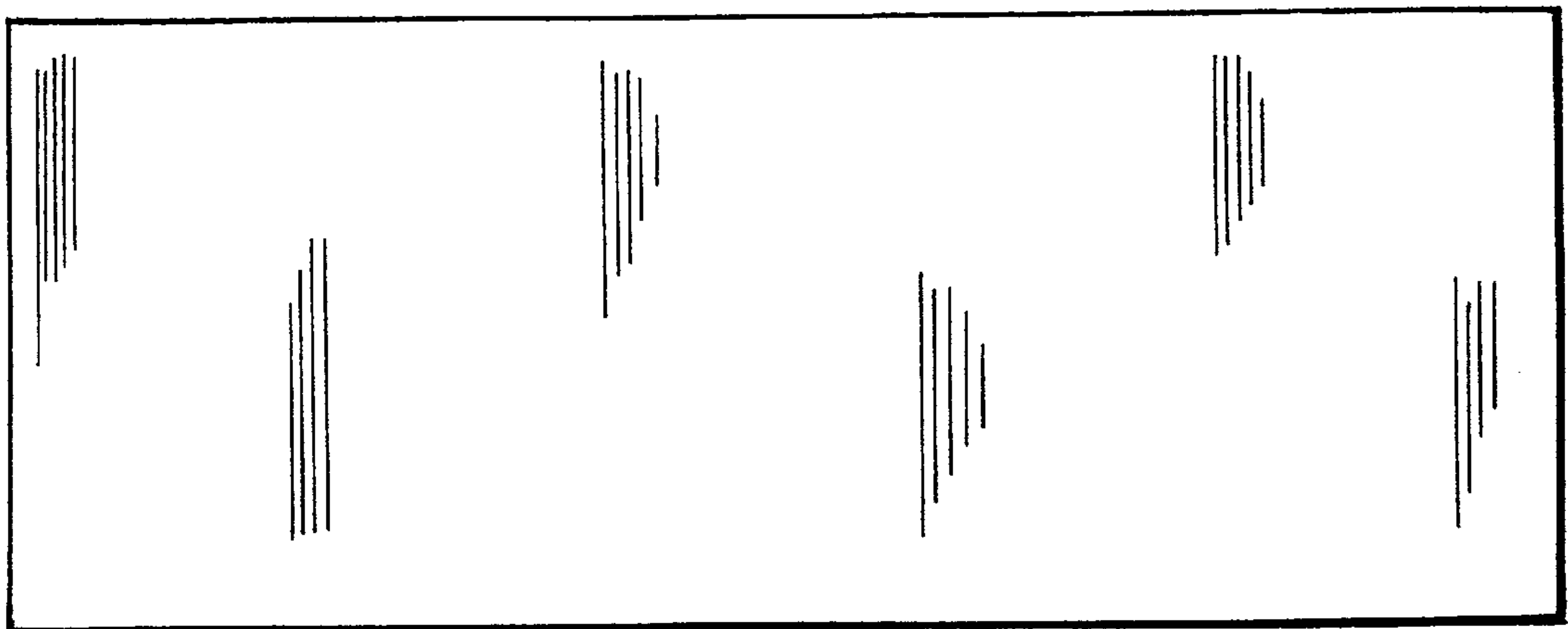


FIG. 4

UNITED STATES PATENT AND TRADEMARK OFFICE
CERTIFICATE OF CORRECTION

PATENT NO : D431,935

DATED : October 17, 2000

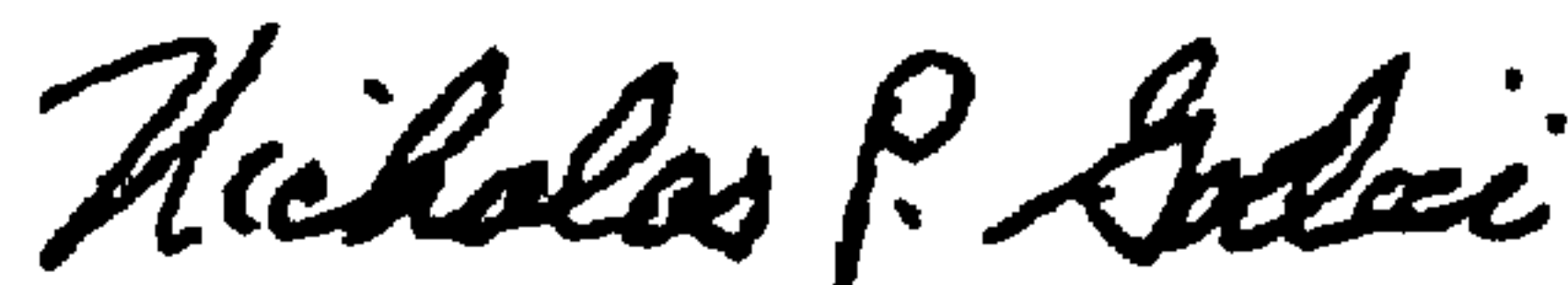
INVENTOR(S): Daniel David Wistehuff, Sr.

It is certified that error appears in the above-identified patent and that said Letters Patent are hereby corrected as shown below:

On the cover page, the assignee should be deleted.

Signed and Sealed this
Twenty-ninth Day of May, 2001

Attest:



NICHOLAS P. GODICI

Attesting Officer

Acting Director of the United States Patent and Trademark Office