



US00D431930S

United States Patent [19] Culler

[11] **Patent Number: Des. 431,930**

[45] **Date of Patent: ** Oct. 17, 2000**

[54] **SOFA WITH ARMS**

[75] Inventor: **Ranson Culler**, High Point, N.C.

[73] Assignee: **Classic Leather, Inc.**, Hickory, N.C.

[**] Term: **14 Years**

[21] Appl. No.: **29/116,956**

[22] Filed: **Jan. 13, 2000**

[51] **LOC (7) Cl. 06-01**

[52] **U.S. Cl. D6/381; D6/379**

[58] **Field of Search D6/334, 335, 336,
D6/364, 371, 373, 379, 381, 500, 501,
502; 297/232**

[56] **References Cited**

U.S. PATENT DOCUMENTS

D. 234,989	4/1975	Lopez-Benitez	D6/379
D. 236,048	7/1975	Nash	D6/379
D. 240,342	6/1976	Adkinson	D6/379
D. 248,431	7/1978	Costabile	D6/379
D. 282,418	2/1986	Lewis	D6/381
D. 297,791	9/1988	Kop	D6/379

OTHER PUBLICATIONS

Schweiger, #05376 Sofa at right.
Sherrill Furniture Company, Photocopy of sofa Design
M415; undated, believed to be 1999.

Primary Examiner—Gary D. Watson
Attorney, Agent, or Firm—Rhodes & Mason, PLLC

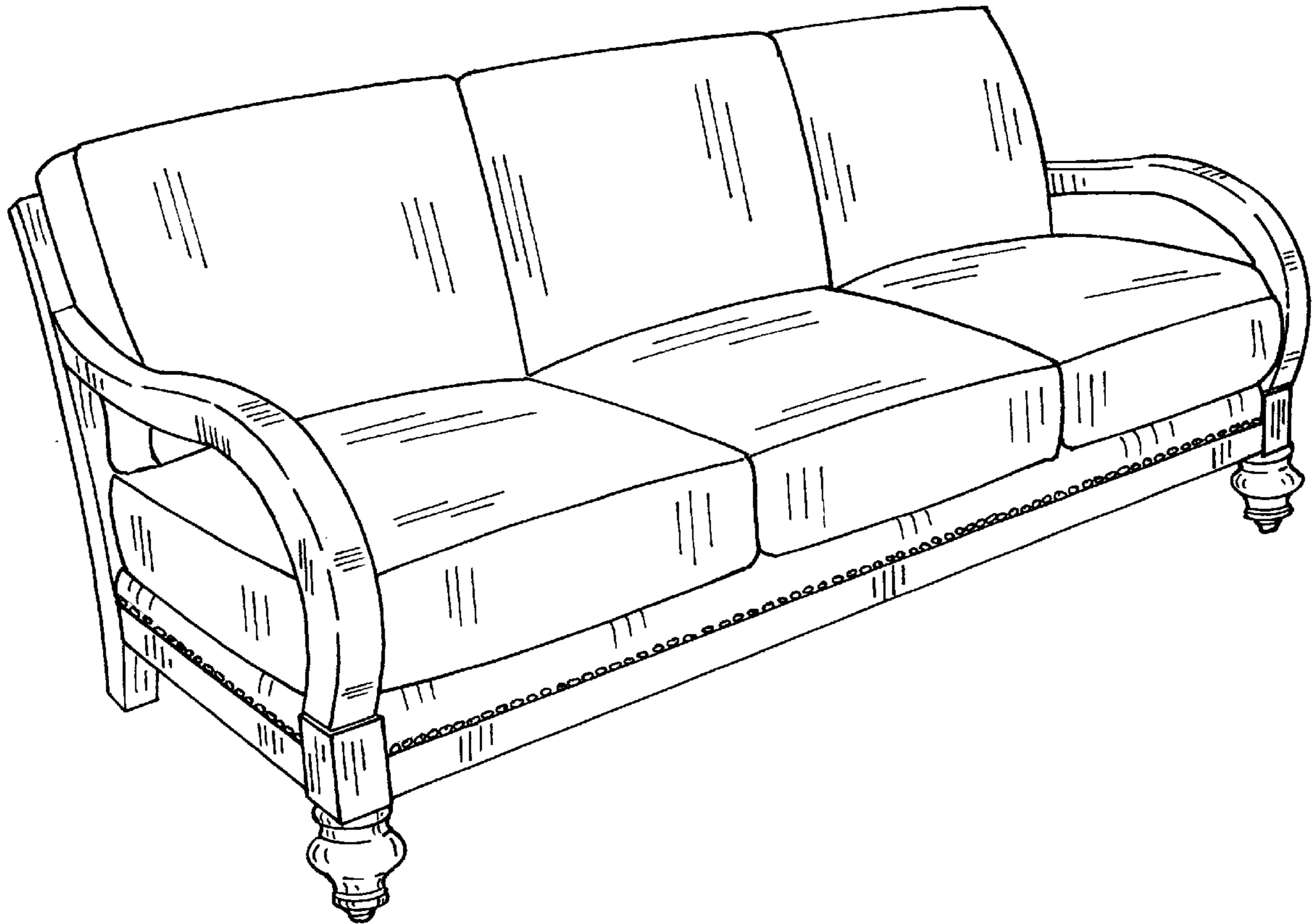
[57] **CLAIM**

The ornamental design for a sofa with arms, as shown and described.

DESCRIPTION

FIG. 1 is a left front perspective view of a sofa with arms showing my new design;
FIG. 2 is a right side elevational view, the left side being a mirror image thereof;
FIG. 3 is a front elevational view thereof;
FIG. 4 is a rear elevational view thereof;
FIG. 5 is a top elevational view thereof;
FIG. 6 is a right rear perspective view; and,
FIG. 7 is an enlarged partial perspective of the right sofa arm, the left side being a mirror image thereof.

1 Claim, 3 Drawing Sheets



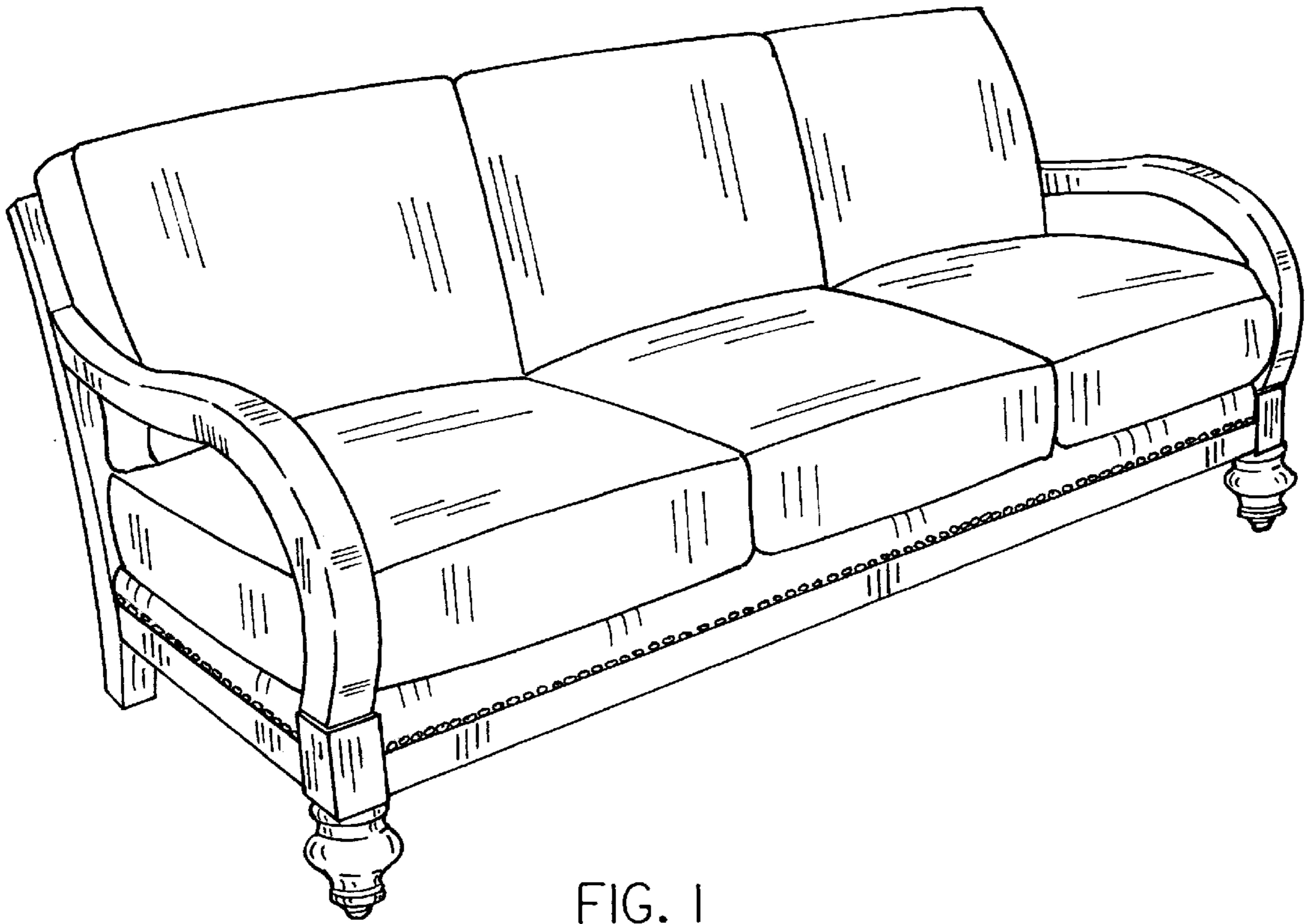


FIG. 1

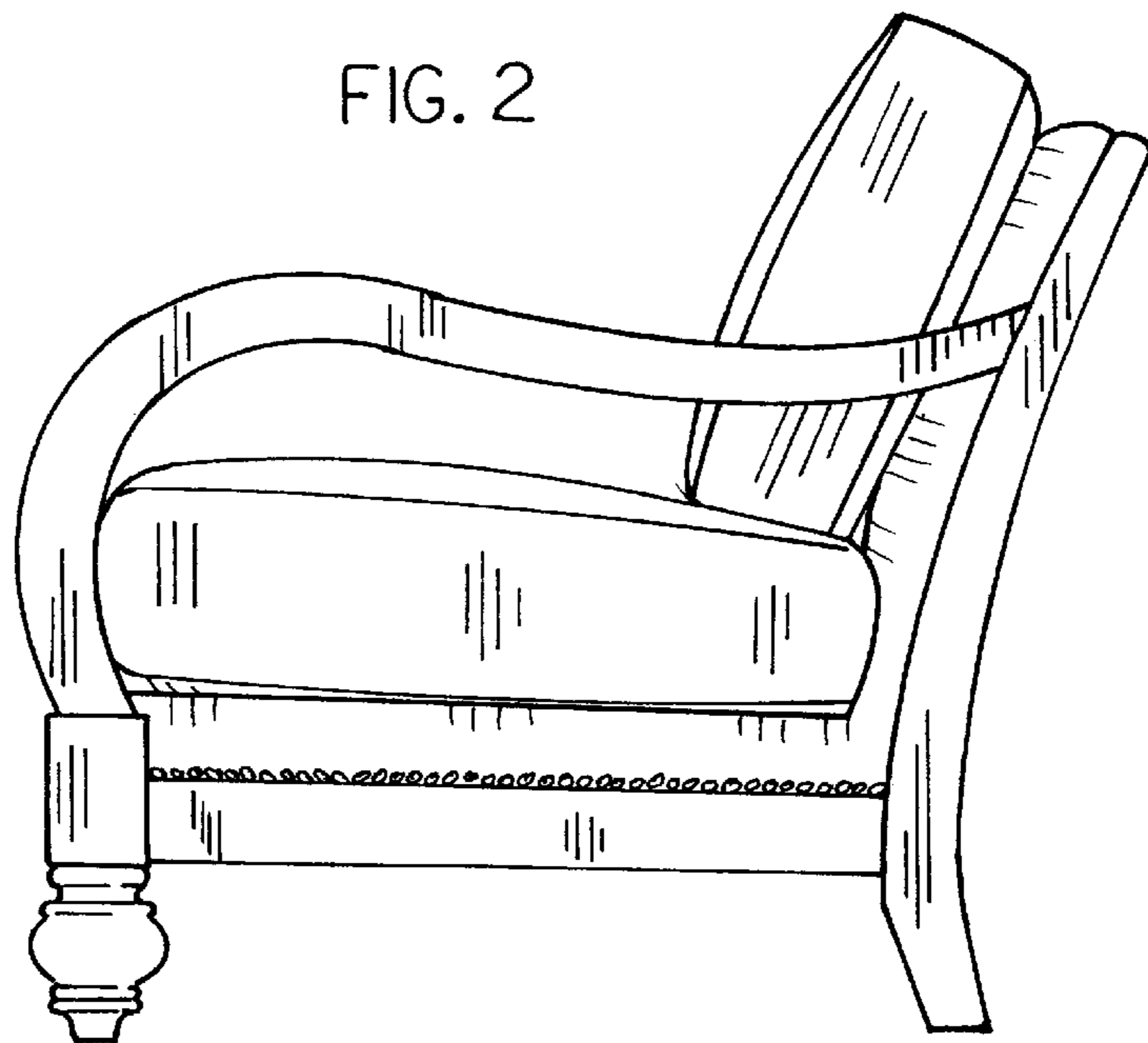


FIG. 2

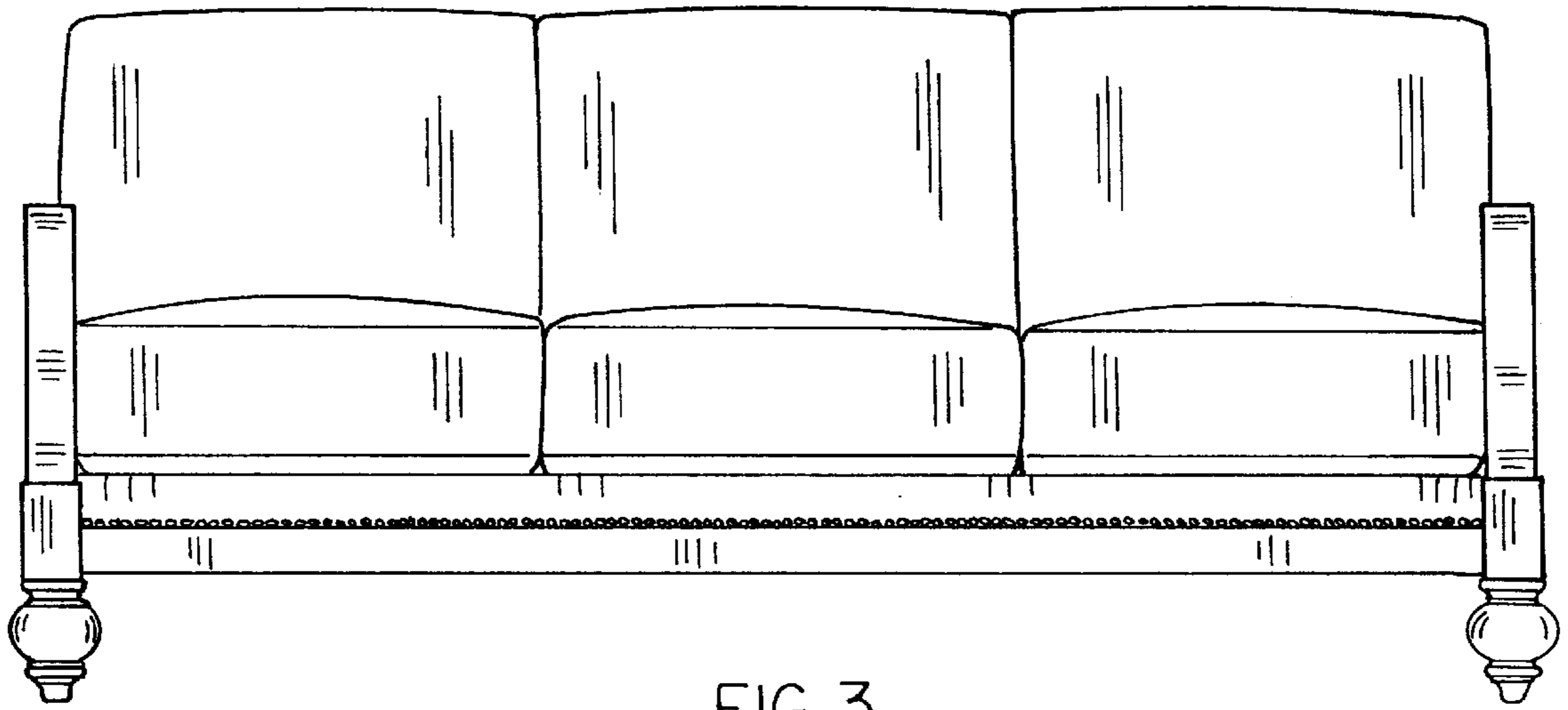


FIG. 3

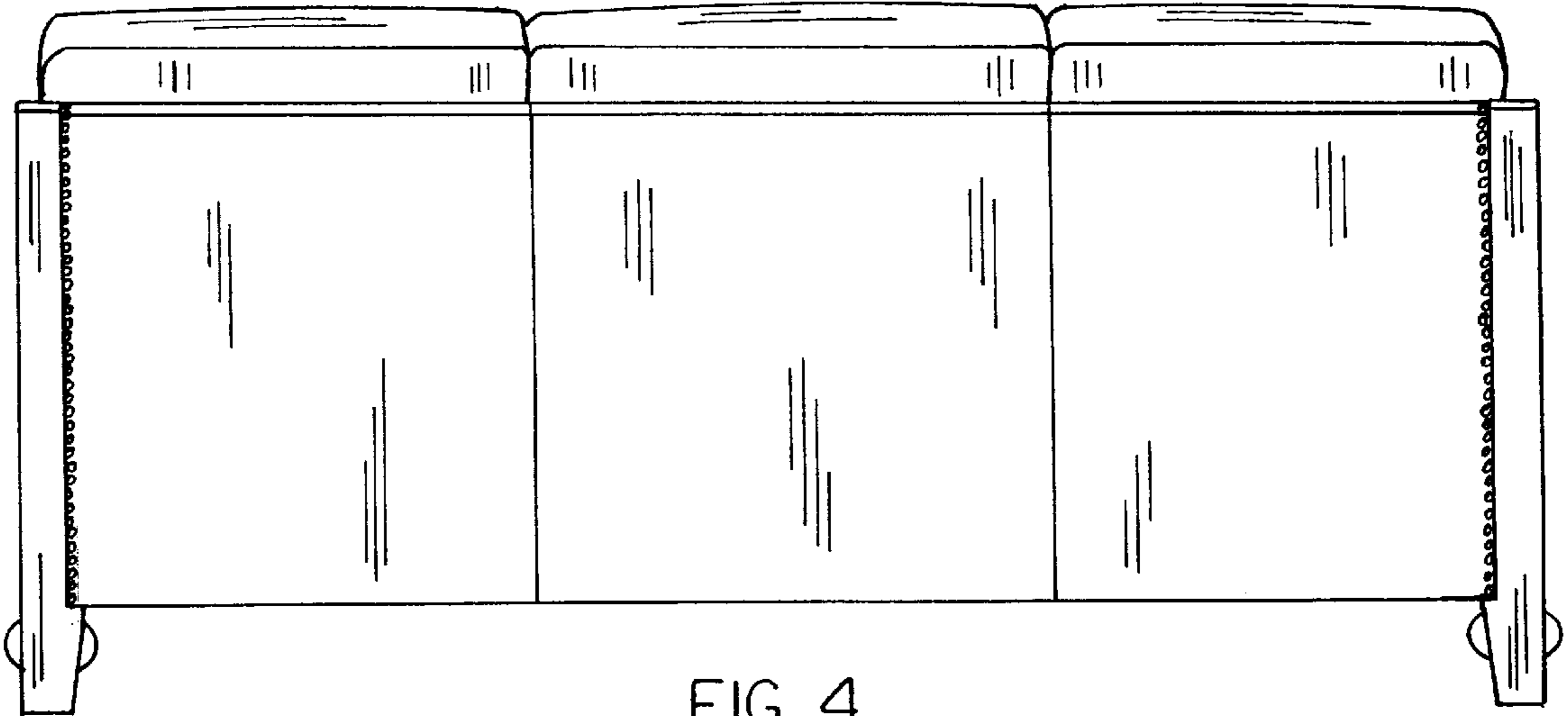
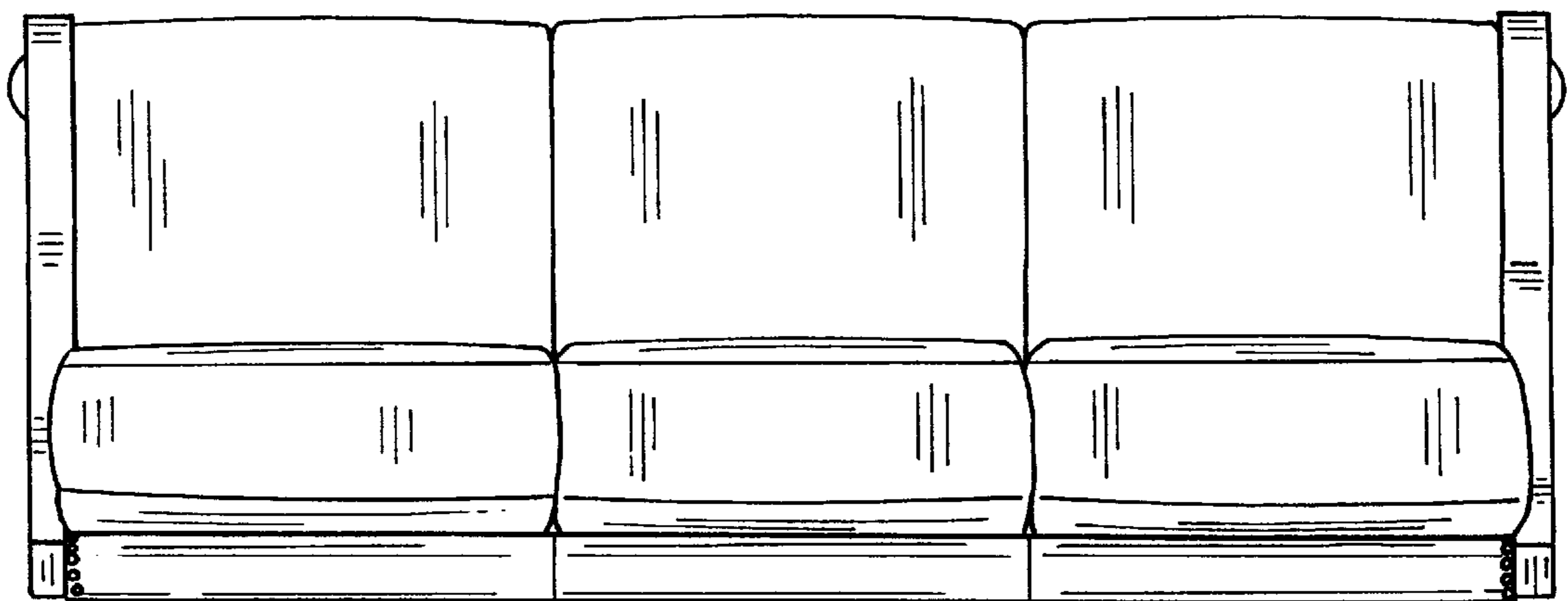


FIG. 4

FIG. 5



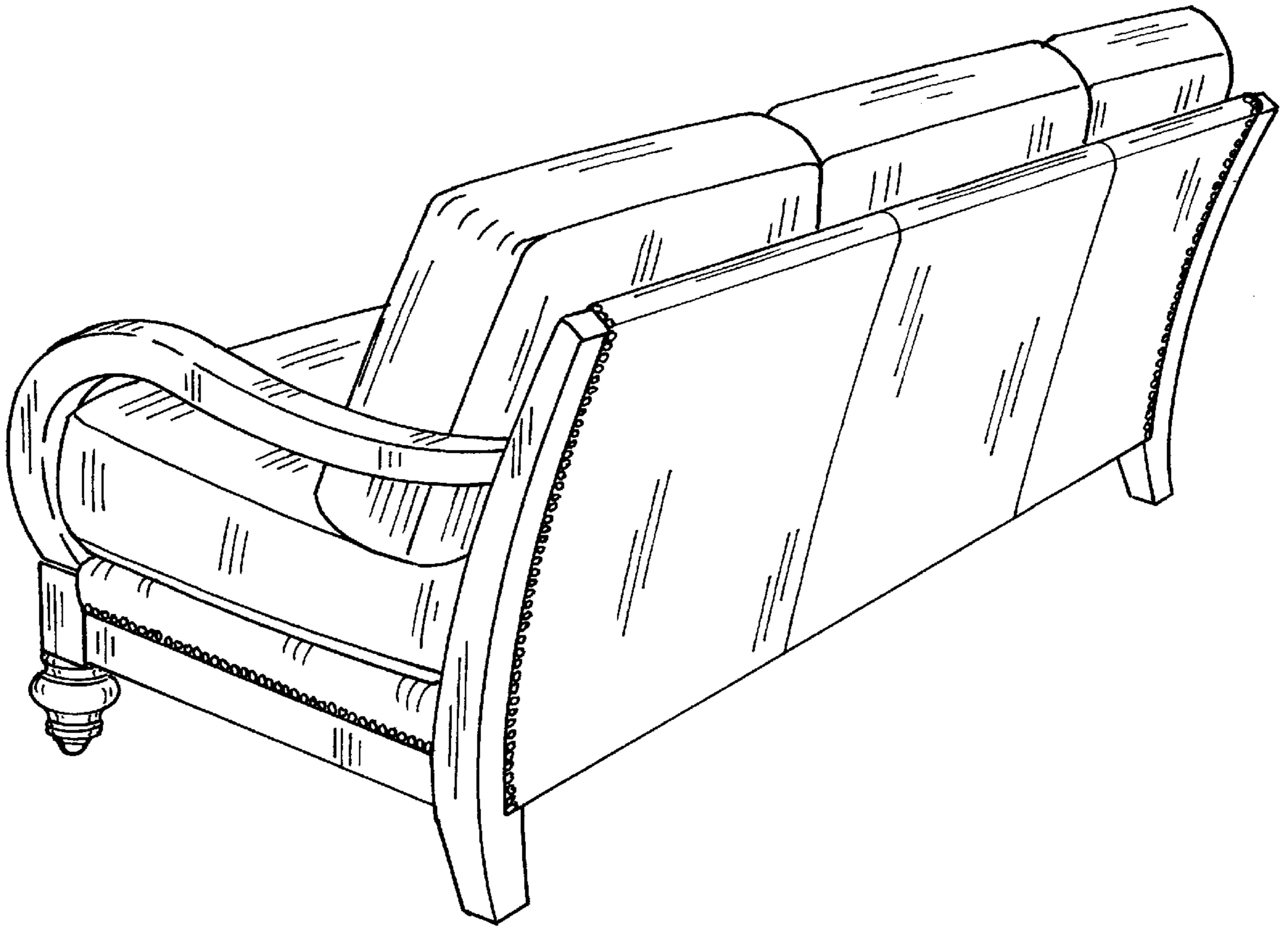


FIG. 6

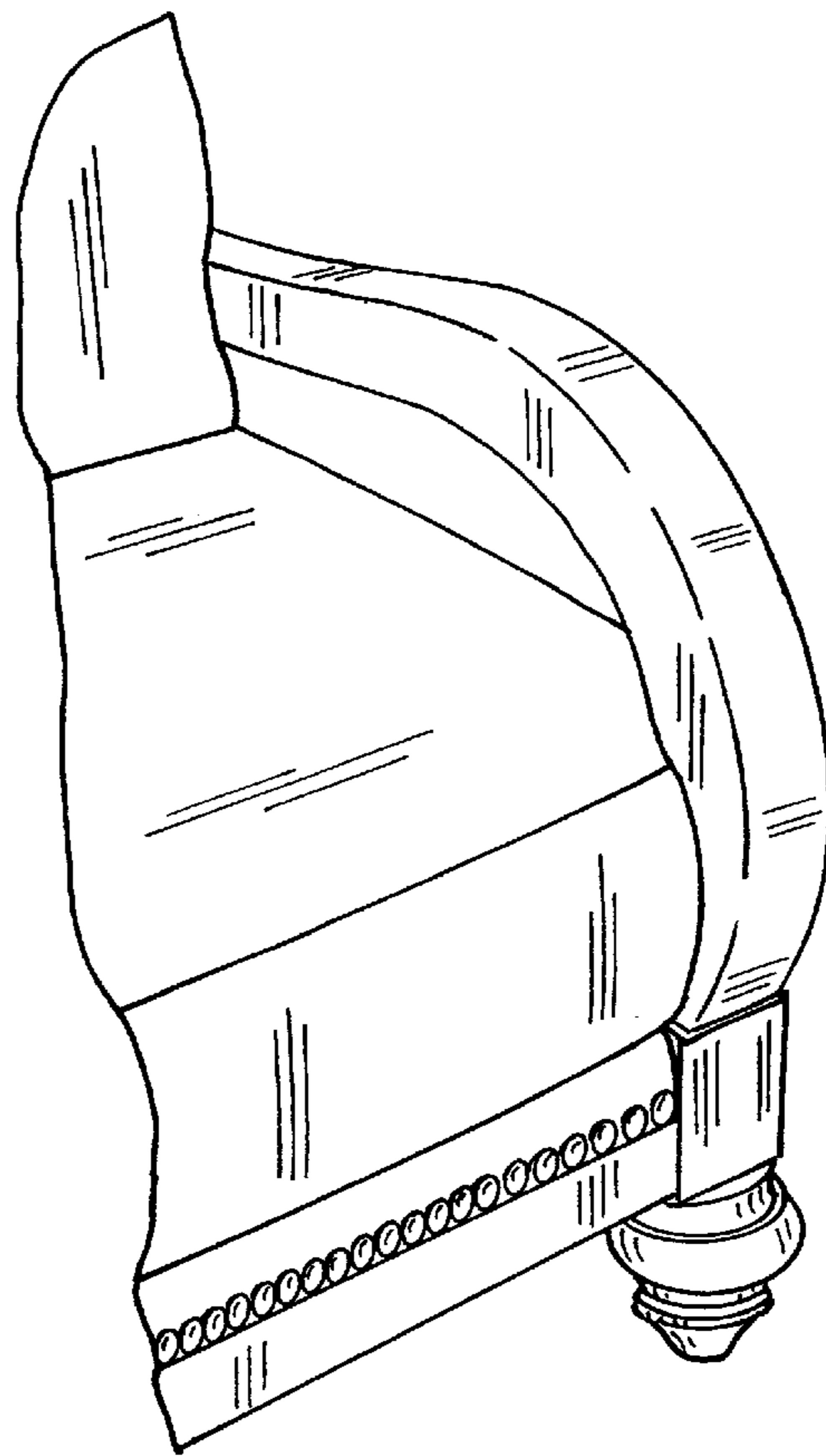


FIG. 7