



US00D431929S

United States Patent [19]

Natuzzi et al.

[11] Patent Number: Des. 431,929

[45] Date of Patent: ** Oct. 17, 2000

[54] SEAT

[75] Inventors: Pasquale Natuzzi; Raffaella Lucarelli, both of Bari, Italy

[73] Assignee: Industrie Natuzzi, SpA, Bari, Italy

[**] Term: 14 Years

[21] Appl. No.: 29/112,352

[22] Filed: Oct. 14, 1999

[51] LOC (7) Cl. 06-01

[52] U.S. Cl. D6/381; D6/334

[58] Field of Search D6/334, 335, 336, D6/364, 371, 373, 381, 500, 501, 502; 5/12.1; 297/232, 445.1

[56] References Cited

U.S. PATENT DOCUMENTS

| | | | |
|------------|---------|----------------------|--------|
| D. 367,187 | 2/1996 | Natuzzi et al. | D6/381 |
| D. 372,370 | 8/1996 | Natuzzi et al. | D6/381 |
| D. 388,259 | 12/1997 | Natuzzi et al. | D6/381 |
| D. 388,260 | 12/1997 | Natuzzi et al. | D6/381 |
| D. 390,371 | 2/1998 | Gibson | D6/381 |
| D. 393,759 | 4/1998 | Natuzzi et al. | D6/381 |
| D. 399,361 | 10/1998 | Natuzzi et al. | D6/381 |
| D. 399,363 | 10/1998 | Natuzzi et al. | D6/381 |
| D. 403,173 | 12/1998 | Ferguson et al. | D6/381 |
| D. 405,287 | 2/1999 | Watson | D6/381 |
| D. 418,993 | 1/2000 | Natuzzi et al. | D6/381 |
| D. 424,319 | 5/2000 | Natuzzi et al. | D6/381 |

OTHER PUBLICATIONS

Natuzzi Model 156, at least as early as 1986, at International Home Furnishings Market in High Point, North Carolina.
 Natuzzi Model 499, Apr. 1989, at International Home Furnishings Market in High Point, North Carolina.
 Natuzzi Model 616/617, Oct. 1988, at International Home Furnishings Market in High Point, North Carolina.
 Natuzzi Model 622/623, Oct. 1988, at International Home Furnishings Market in High Point, North Carolina.
 Natuzzi Model 731, Oct. 1989, at International Home Furnishings Market in High Point, North Carolina.

Natuzzi Model 740, Apr. 1990, at International Home Furnishings Market in High Point, North Carolina.
 Natuzzi Model 750, Apr. 1990, at International Home Furnishings Market in High Point, North Carolina.
 Natuzzi Model 753, Apr. 1990, at International Home Furnishings Market in High Point, North Carolina.
 Natuzzi Model 778, Oct. 1990, at International Home Furnishings Market in High Point, North Carolina.
 Natuzzi Model 825, Nov. 1990, at International Home Furnishings Market in High Point, North Carolina.
 Natuzzi Model 840, Apr. 1991, at International Home Furnishings Market in High Point, North Carolina.

(List continued on next page.)

Primary Examiner—Gary D. Watson
Attorney, Agent, or Firm—Alston & Bird LLP

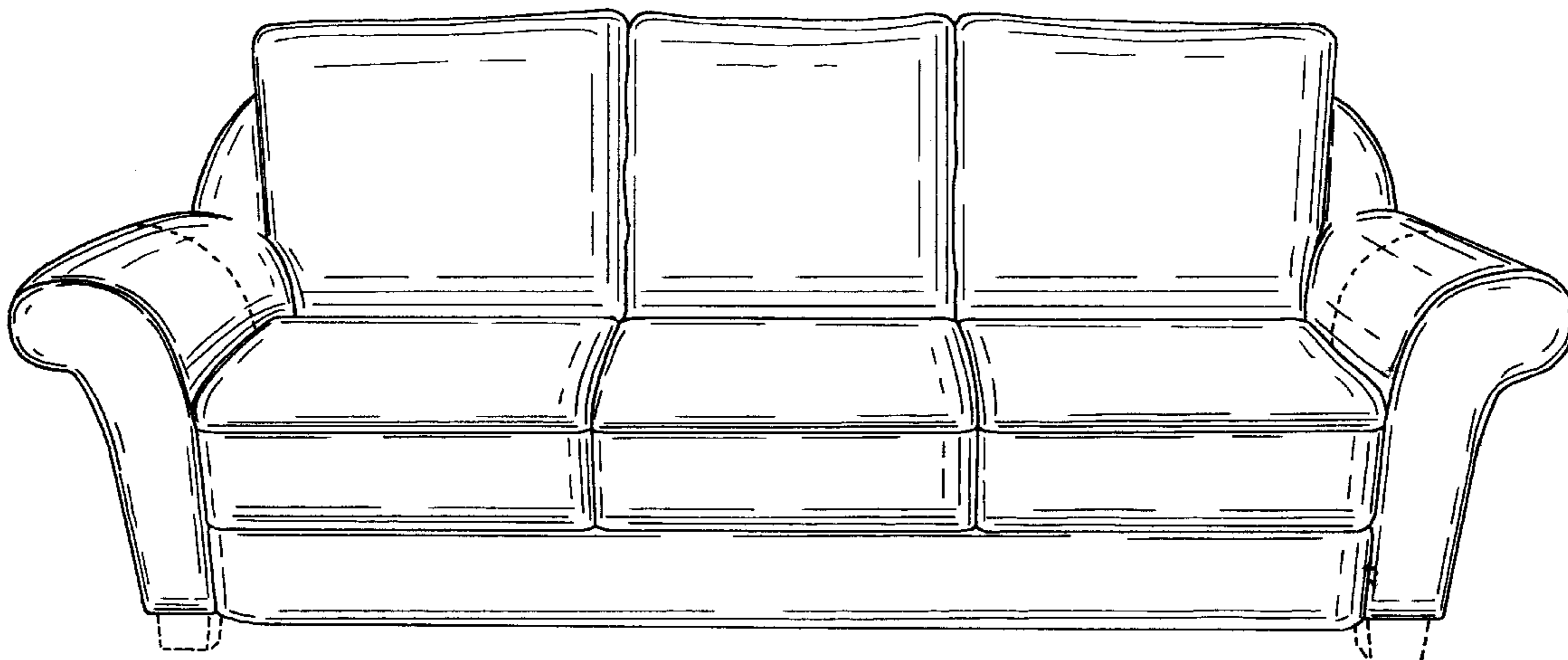
[57] CLAIM

The ornamental design for a seat, as shown and described.

DESCRIPTION

FIG. 1 is a front perspective view of a seat showing our new design in the form of a sofa;
 FIG. 2 is a front elevational view thereof;
 FIG. 3 is a top plan view thereof;
 FIG. 4 is a right side elevational view, the left side being a mirror image thereof;
 FIG. 5 is a rear perspective view thereof;
 FIG. 6 is a front elevational view of a seat showing our new design in the form of a loveseat; and,
 FIG. 7 is a front elevational view of a seat showing our new design in the form of a chair.
 The broken lines shown herein are for illustrative purposes only and form no part of the claimed design.
 The rear views of FIGS. 6 and 7 are like FIG. 5, the difference being a matter of length.
 The end views of FIGS. 6 and 7 are like FIG. 4.
 FIG. 1 is shown on an enlarged scale and FIGS. 4 and 5 are shown on a reduced scale with respect to the other views.

1 Claim, 3 Drawing Sheets



OTHER PUBLICATIONS

Natuzzi Model 866, Oct. 1991, at International Home Furnishings Market in High Point, North Carolina.
Natuzzi Model 916, Apr. 1992, at International Home Furnishings Market in High Point, North Carolina.
Natuzzi Model 921, Apr. 1992, at International Home Furnishings Market in High Point, North Carolina.
Natuzzi Model 949, Oct. 1992, at International Home Furnishings Market in High Point, North Carolina.
Natuzzi Model 1081, Sep. 1993, at International Home Furnishings Market in High Point, North Carolina.
Natuzzi Model 1090, Sep. 1993, at International Home Furnishings Market in High Point, North Carolina.
Natuzzi Model 1114, Oct. 1993, at International Home Furnishings Market in High Point, North Carolina.
Natuzzi Model 1132, Jan. 1994, at International Home Furnishings Market in High Point, North Carolina.
Natuzzi Model 1136, Apr. 1994, at International Home Furnishings Market in High Point, North Carolina.
Natuzzi Model 1142, Apr. 1994, at International Home Furnishings Market in High Point, North Carolina.
Natuzzi Model 1157, Apr. 1994, at International Home Furnishings Market in High Point, North Carolina.
Natuzzi Model 1181, Apr. 1994, at International Home Furnishings Market in High Point, North Carolina.
Natuzzi Model 1183, Apr. 1994, at International Home Furnishings Market in High Point, North Carolina.
Natuzzi Model 1190, Apr. 1994, at International Home Furnishings Market in High Point, North Carolina.

Natuzzi Model 1208, Oct. 1994, at International Home Furnishings Market in High Point, North Carolina.
Natuzzi Model 1224, Oct. 1994, at International Home Furnishings Market in High Point, North Carolina.
Natuzzi Model 1266, Mar. 1995, at International Home Furnishings Market in High Point, North Carolina.
Natuzzi Model 1276, Mar. 1995, at International Home Furnishings Market in High Point, North Carolina.
Natuzzi Model 1321, Apr. 1995, at International Home Furnishings Market in High Point, North Carolina.
Natuzzi Model 1338, Sep. 1995, at International Home Furnishings Market in High Point, North Carolina.
Natuzzi Model 1368, Sep. 1995, at International Home Furnishings Market in High Point, North Carolina.
Natuzzi Model 1385, Oct. 1995, at International Home Furnishings Market in High Point, North Carolina.
Natuzzi Model 1408, Mar. 1996, at International Home Furnishings Market in High Point, North Carolina.
Natuzzi Model 1429, Mar. 1996, at International Home Furnishings Market in High Point, North Carolina.
Natuzzi Model 1484, Sep. 1996, at International Home Furnishings Market in High Point, North Carolina.
Natuzzi Model 1703, Apr. 1998, at International Home Furnishings Market in High Point, North Carolina.
Natuzzi Model 1714, Sep. 1998, at International Home Furnishings Market in High Point, North Carolina.
Natuzzi Model 1723, Sep. 1998, at International Home Furnishings Market in High Point, North Carolina.

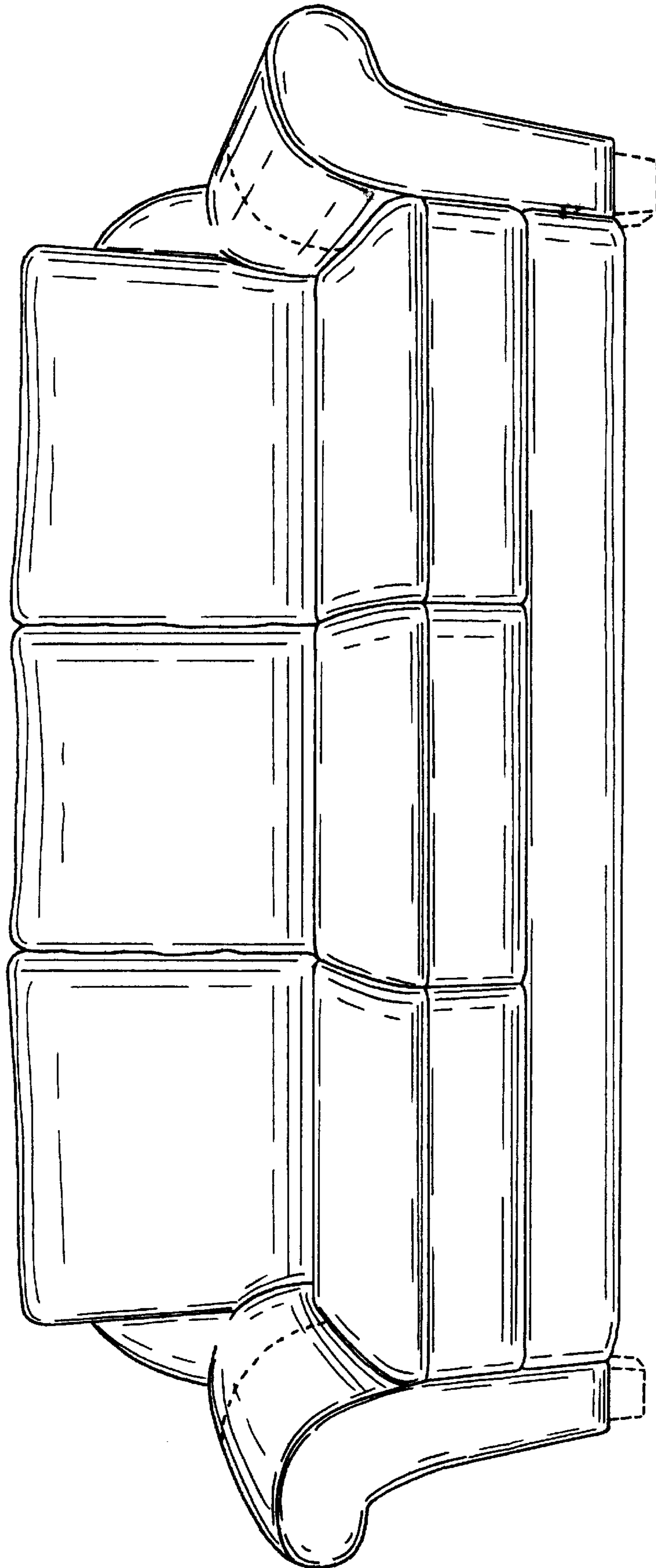


FIG. 1.



FIG. 2.

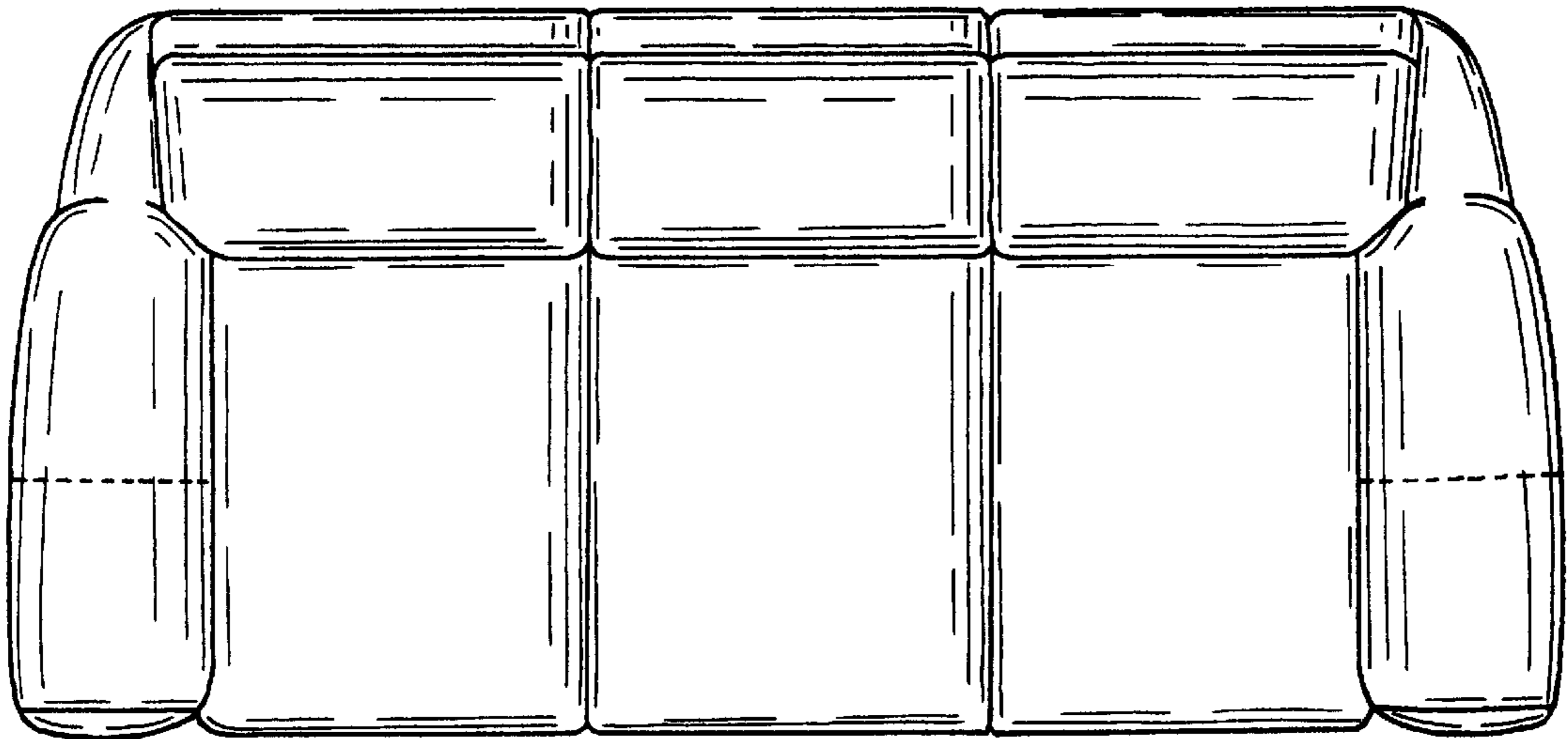


FIG. 3.

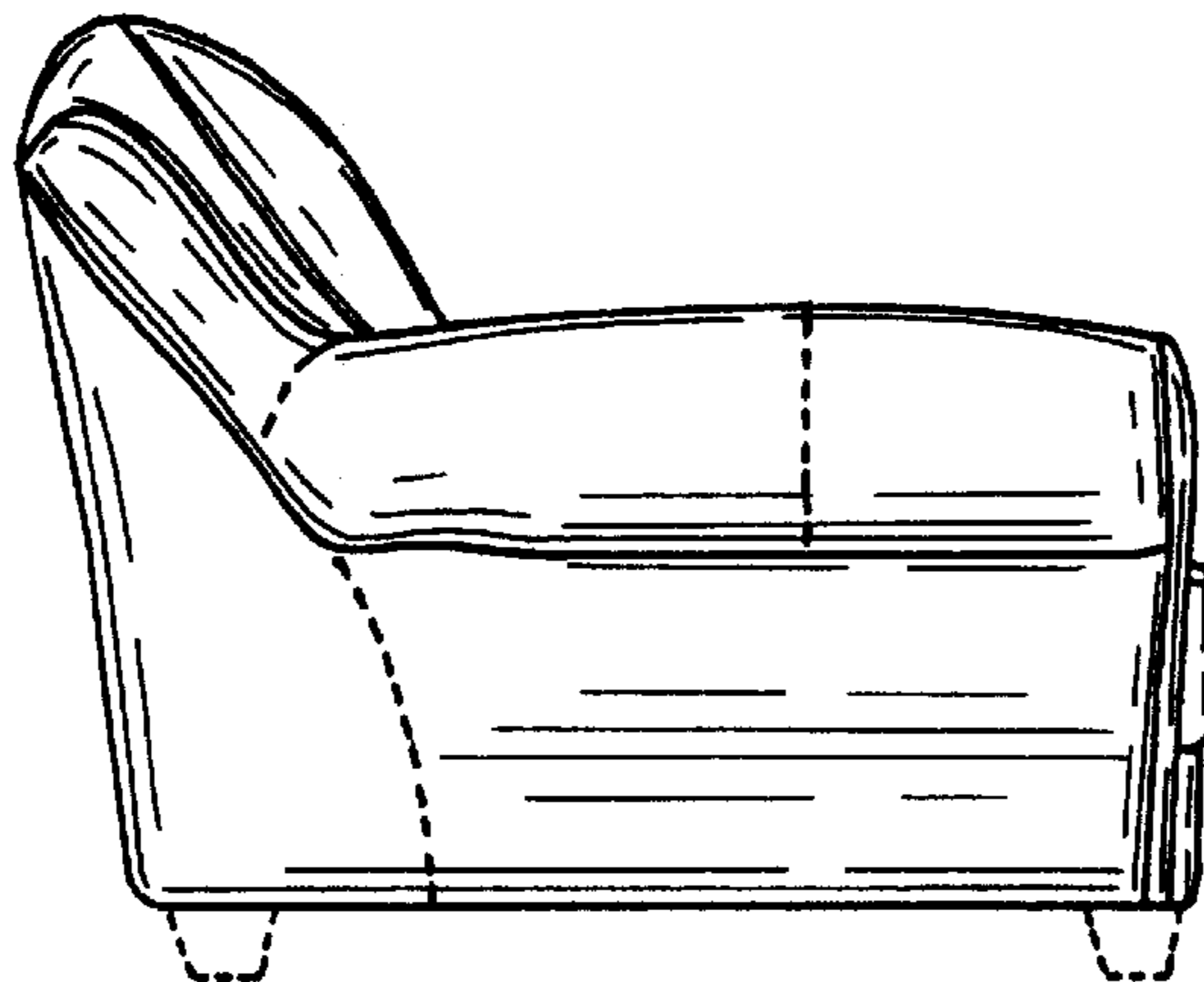


FIG. 4.

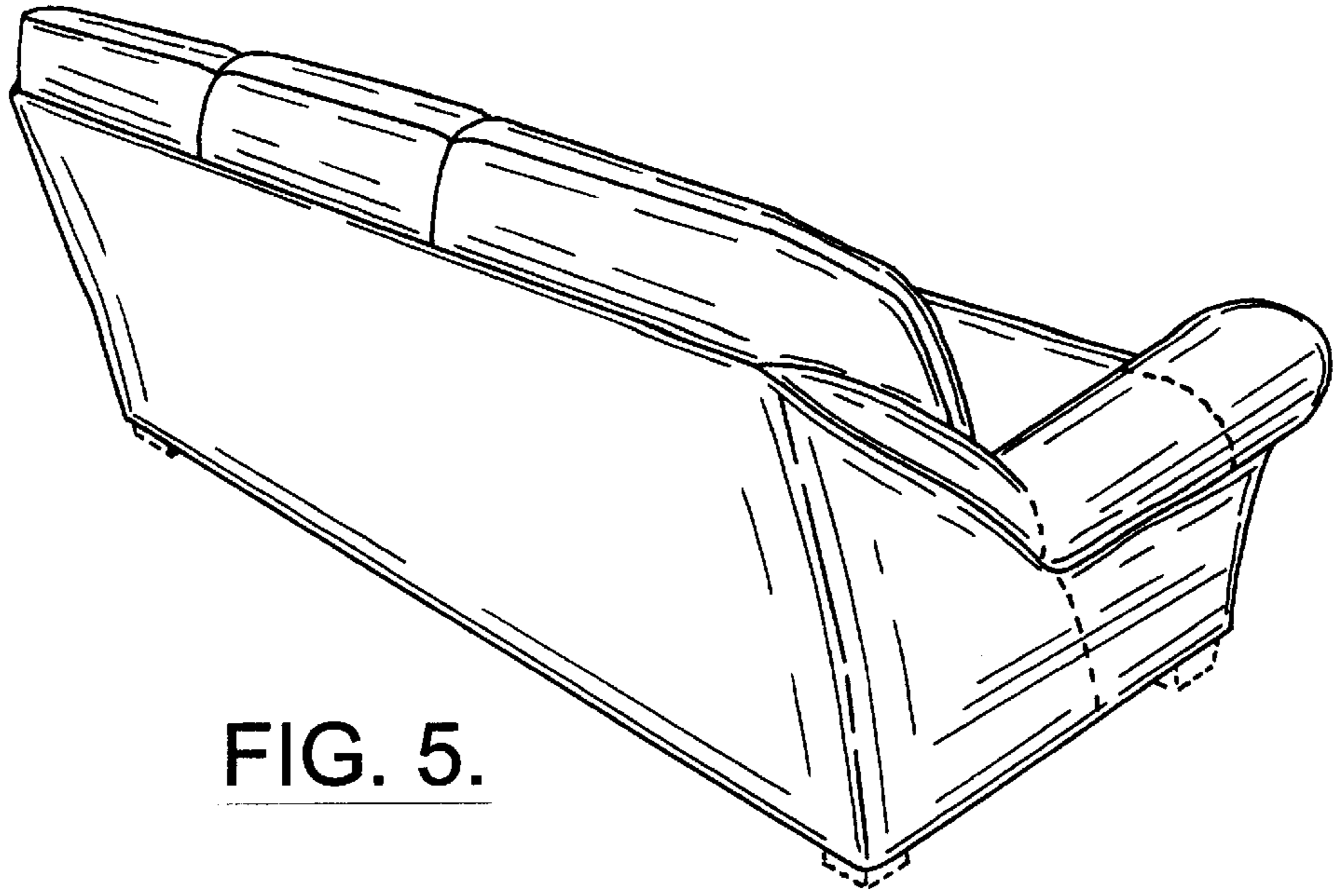


FIG. 5.

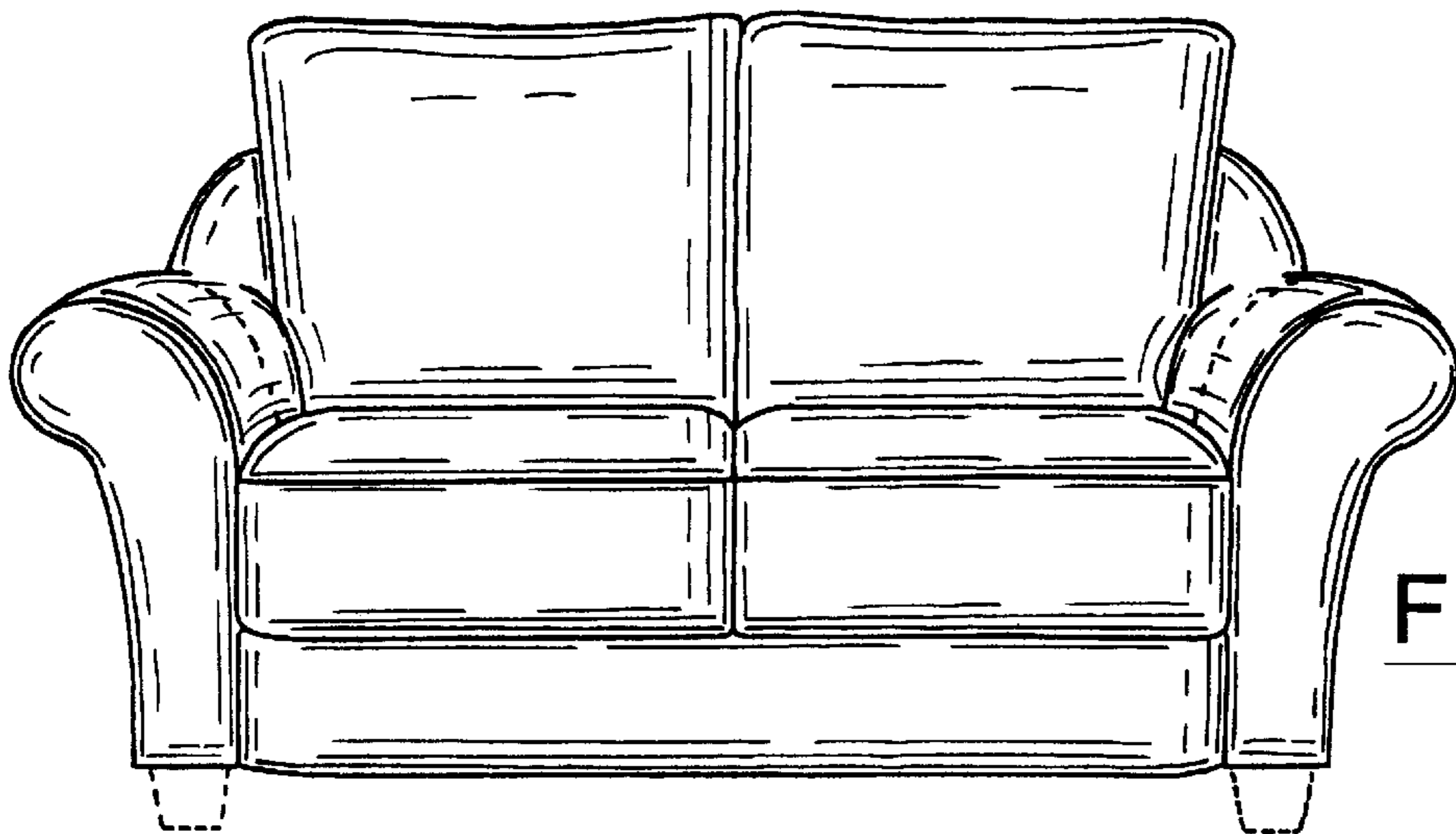


FIG. 6.

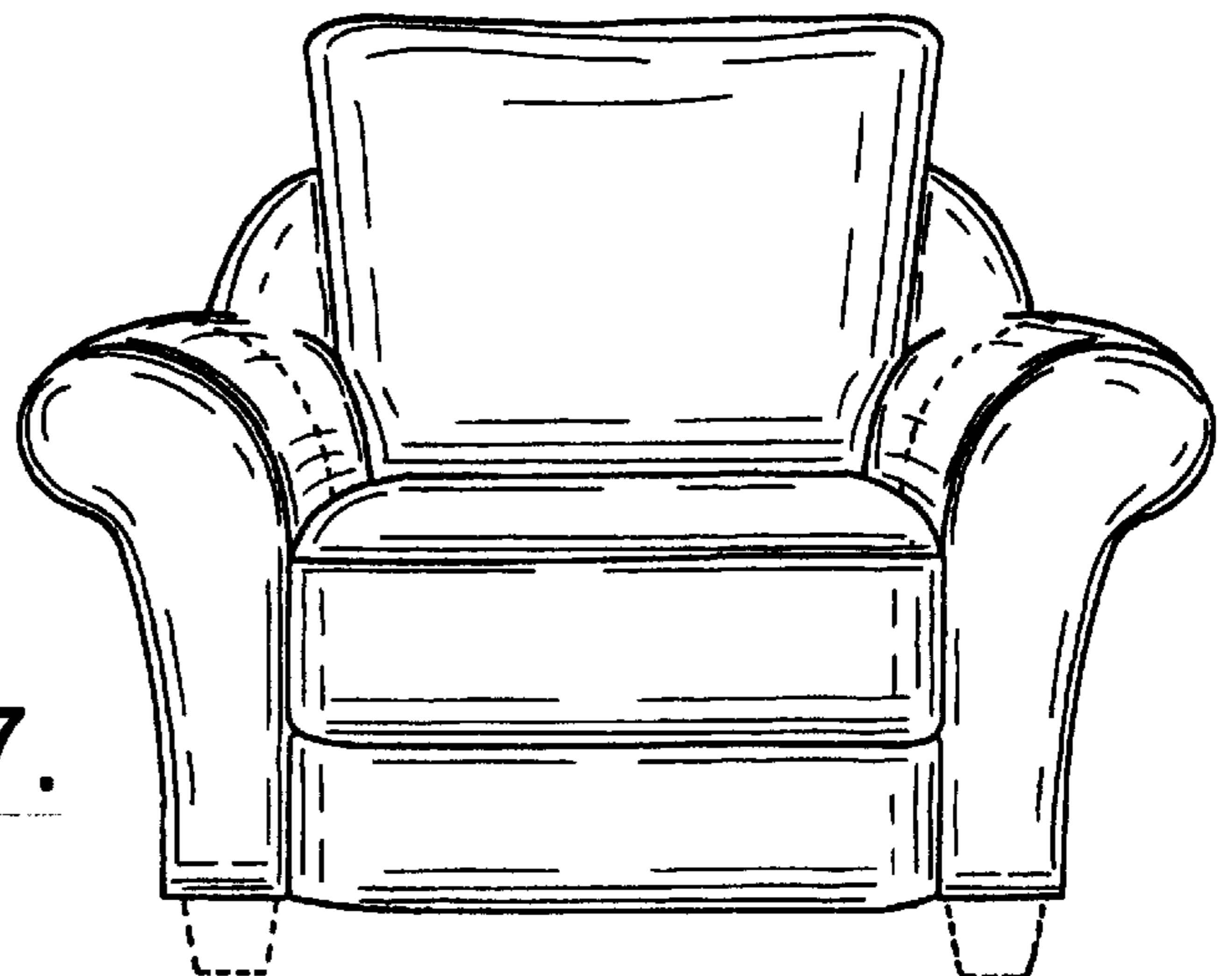


FIG. 7.