



US00D431926S

United States Patent [19]

[11] **Patent Number: Des. 431,926**

Natuzzi et al.

[45] **Date of Patent: ** Oct. 17, 2000**

[54] **SEAT**

[75] Inventors: **Pasquale Natuzzi, Bari; Cosimo Suma, Matera, both of Italy**

[73] Assignee: **Industrie Natuzzi, SpA, Bari, Italy**

[**] Term: **14 Years**

[21] Appl. No.: **29/111,731**

[22] Filed: **Oct. 1, 1999**

[51] **LOC (7) Cl. 06-01**

[52] **U.S. Cl. D6/381; D6/334**

[58] **Field of Search D6/334, 335, 336, D6/364, 371, 373, 381, 500, 501, 502; 5/12.1; 297/232, 445.1**

[56] **References Cited**

U.S. PATENT DOCUMENTS

D. 382,130	8/1997	Natuzzi et al.	D6/381
D. 400,368	11/1998	Natuzzi et al.	D6/381
D. 407,573	4/1999	Natuzzi et al.	D6/381
D. 418,994	1/2000	Natuzzi et al.	D6/381
D. 419,328	1/2000	Natuzzi et al.	D6/381
D. 420,525	2/2000	Watson	D6/381
D. 424,318	5/2000	Natuzzi et al.	D6/381
D. 424,319	5/2000	Natuzzi et al.	D6/381

OTHER PUBLICATIONS

Natuzzi Model 1731 (designer's sketch), Sep. 1998, at International Home Furnishings Market in High Point, North Carolina.

Natuzzi Model 162, Nov. 1986, at International Home Furnishings Market in High Point, North Carolina.

Natuzzi Model 199, Oct. 1987, at International Home Furnishings Market in High Point, North Carolina.

Natuzzi Model 426, at least as early as Oct. 1988, at International Home Furnishings Market in High Point, North Carolina.

Natuzzi Model 464, Oct. 1988, at International Home Furnishings Market in High Point, North Carolina.

Natuzzi Model 700, Oct. 1989, at International Home Furnishings Market in High Point, North Carolina.

Natuzzi Model 734, Apr. 1990, at International Home Furnishings Market in High Point, North Carolina.

Natuzzi Model 760, Apr. 1990, at International Home Furnishings Market in High Point, North Carolina.

Natuzzi Model 764, Apr. 1990, at International Home Furnishings Market in High Point, North Carolina.

Natuzzi Model 798, Oct. 1990, at International Home Furnishings Market in High Point, North Carolina.

Natuzzi Model 848, Apr. 1991, at International Home Furnishings Market in High Point, North Carolina.

Natuzzi Model 1081, Sep. 1993, at International Home Furnishings Market in High Point, North Carolina.

Natuzzi Model 1367, Sep. 1995, at International Home Furnishings Market in High Point, North Carolina.

(List continued on next page.)

Primary Examiner—Gary D. Watson
Attorney, Agent, or Firm—Alston & Bird LLP

[57] **CLAIM**

The ornamental design for a seat, as shown and described.

DESCRIPTION

FIG. 1 is a front perspective view of a seat showing our new design in the form of a sofa;

FIG. 2 is a front elevational view thereof;

FIG. 3 is a top plan view thereof;

FIG. 4 is a right side elevational view, the left side being a mirror image thereof;

FIG. 5 is a rear perspective view thereof; FIG. 6 is a front elevational view of a seat showing our new design in the form of a loveseat; and,

FIG. 7 is a front elevational view of a seat showing our new design in the form of a chair.

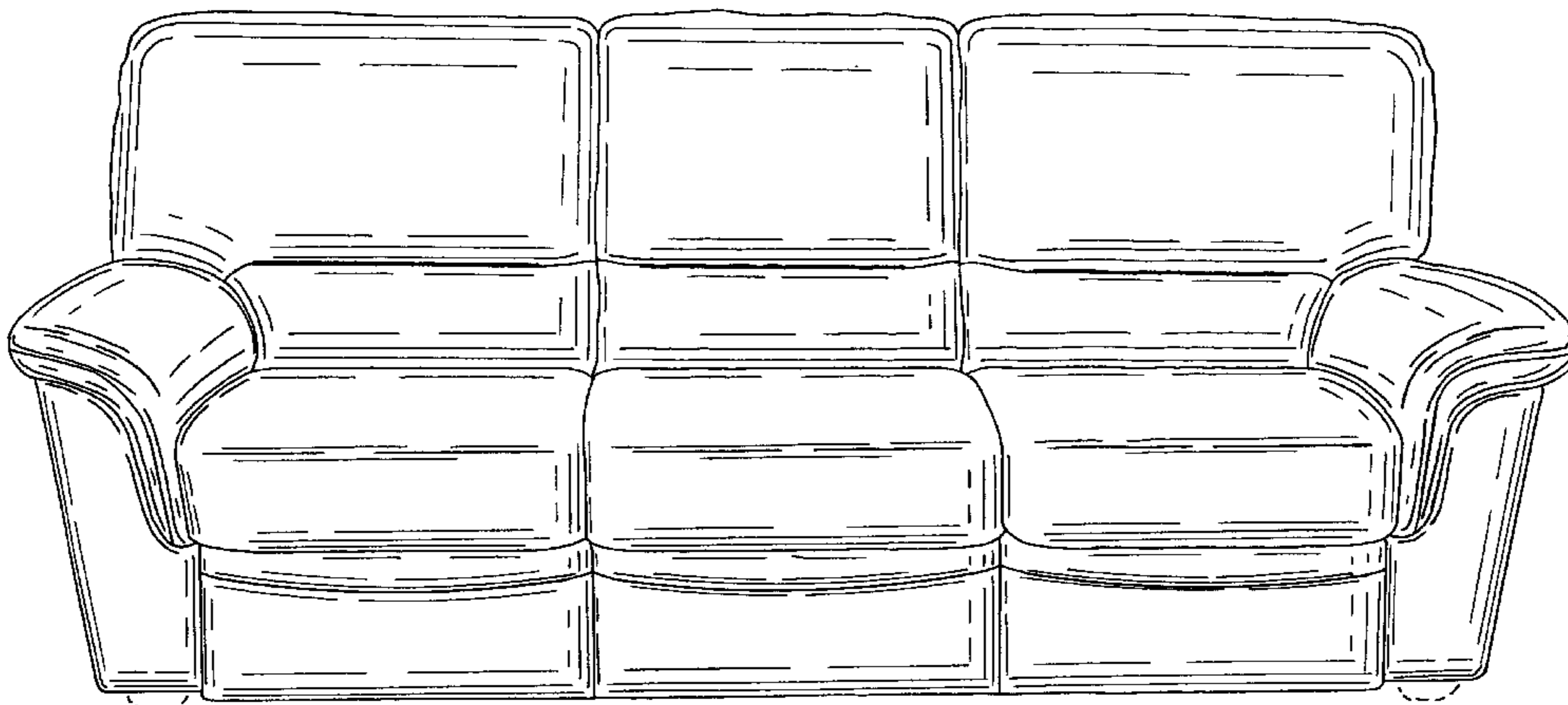
The broken lines shown herein are for illustrative purposes only and form no part of the claimed design.

The rear views of FIGS. 6 and 7 are like FIG. 5, the difference being a matter of length.

The end views of FIGS. 6 and 7 are like FIG. 4.

FIG. 1 is shown on an enlarged scale and FIGS. 4 and 5 are shown on a reduced scale with respect to the other views.

1 Claim, 3 Drawing Sheets



OTHER PUBLICATIONS

Natuzzi Model 1395, Mar., 1996, at International Home Furnishings Market in High Point, North Carolina.

Natuzzi Model 1480, Sep. 1996, at International Home Furnishings Market in High Point, North Carolina.

Natuzzi Model 1546, Apr. 1997, at International Home Furnishings Market in High Point, North Carolina.

Natuzzi Model 1551, Apr. 1997, at International Home Furnishings Market in High Point, North Carolina.

Natuzzi Model 1563, Apr. 1997, at International Home Furnishings Market in High Point, North Carolina.

Natuzzi Model 1584, Apr. 1997, at International Home Furnishings Market in High Point, North Carolina.

Natuzzi Model 1665, Apr. 1998, at International Home Furnishings Market in High Point, North Carolina.

Natuzzi Model 1702, Apr. 1998, at International Home Furnishings Market in High Point, North Carolina.

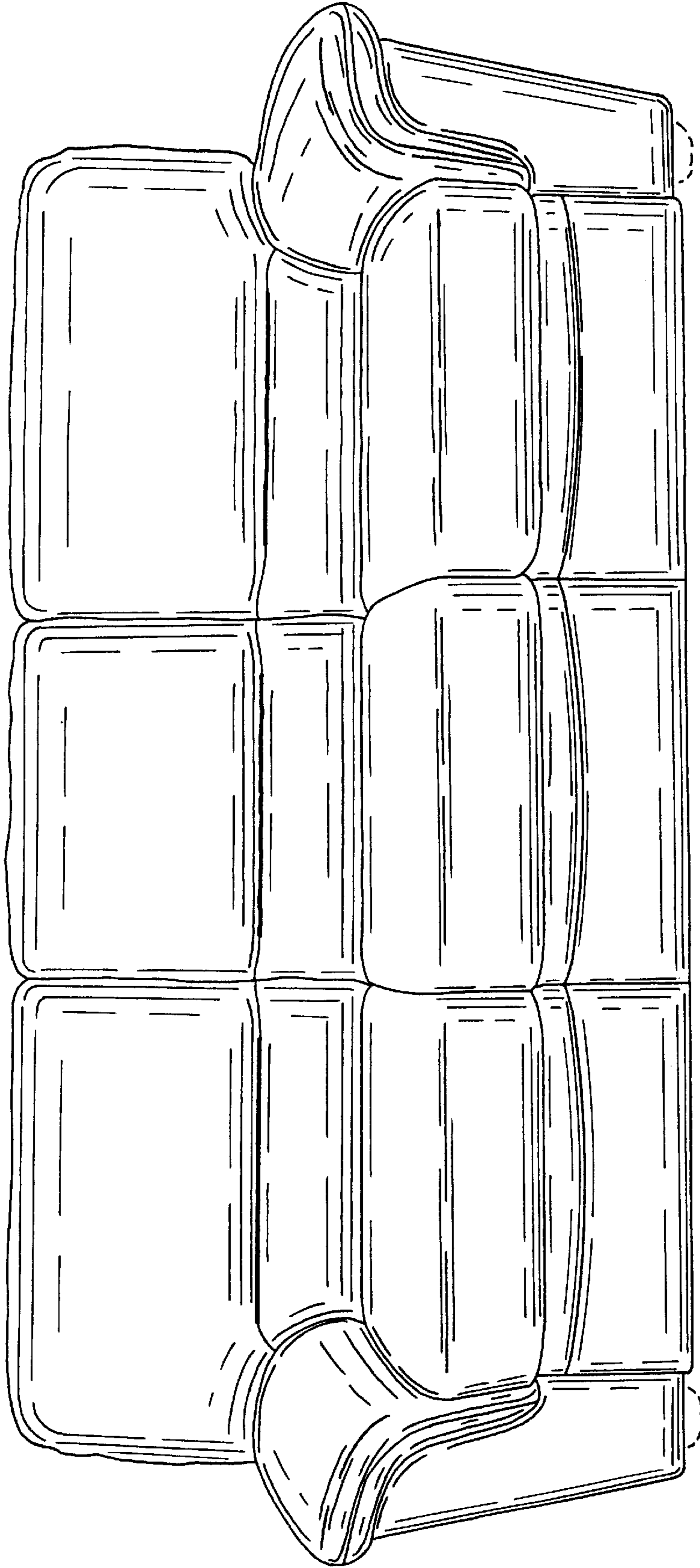


FIG. 1.

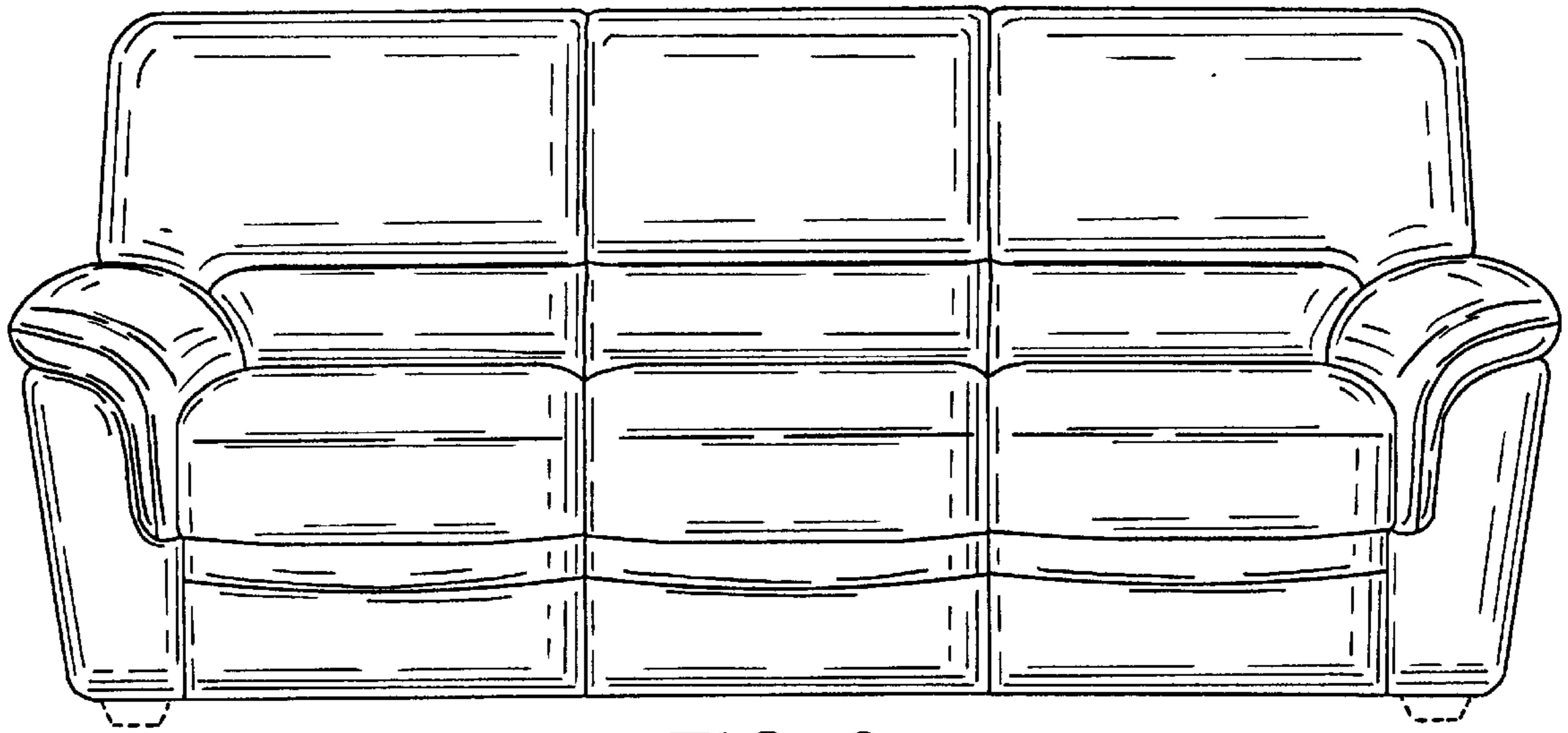


FIG. 2.

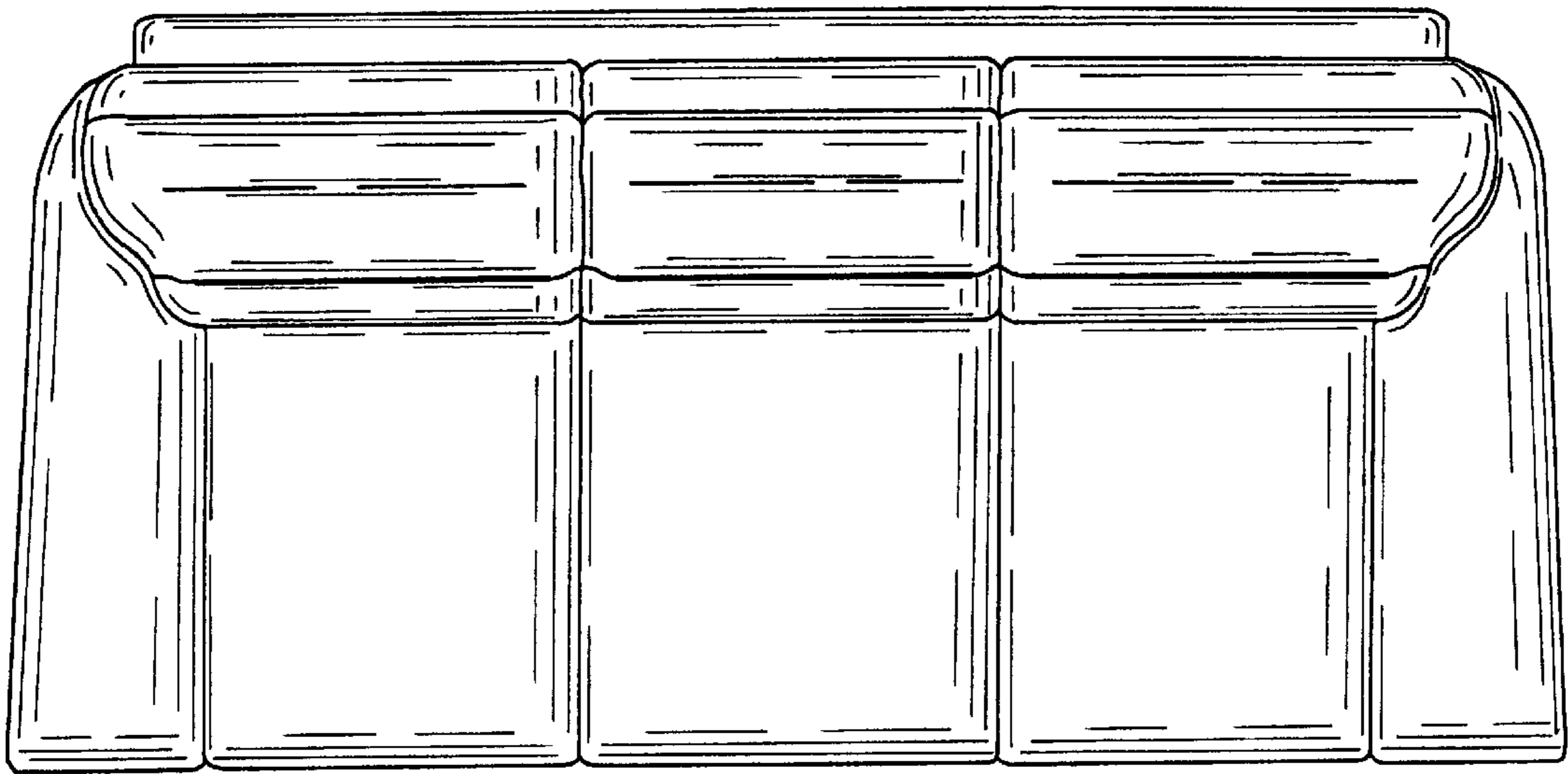


FIG. 3.

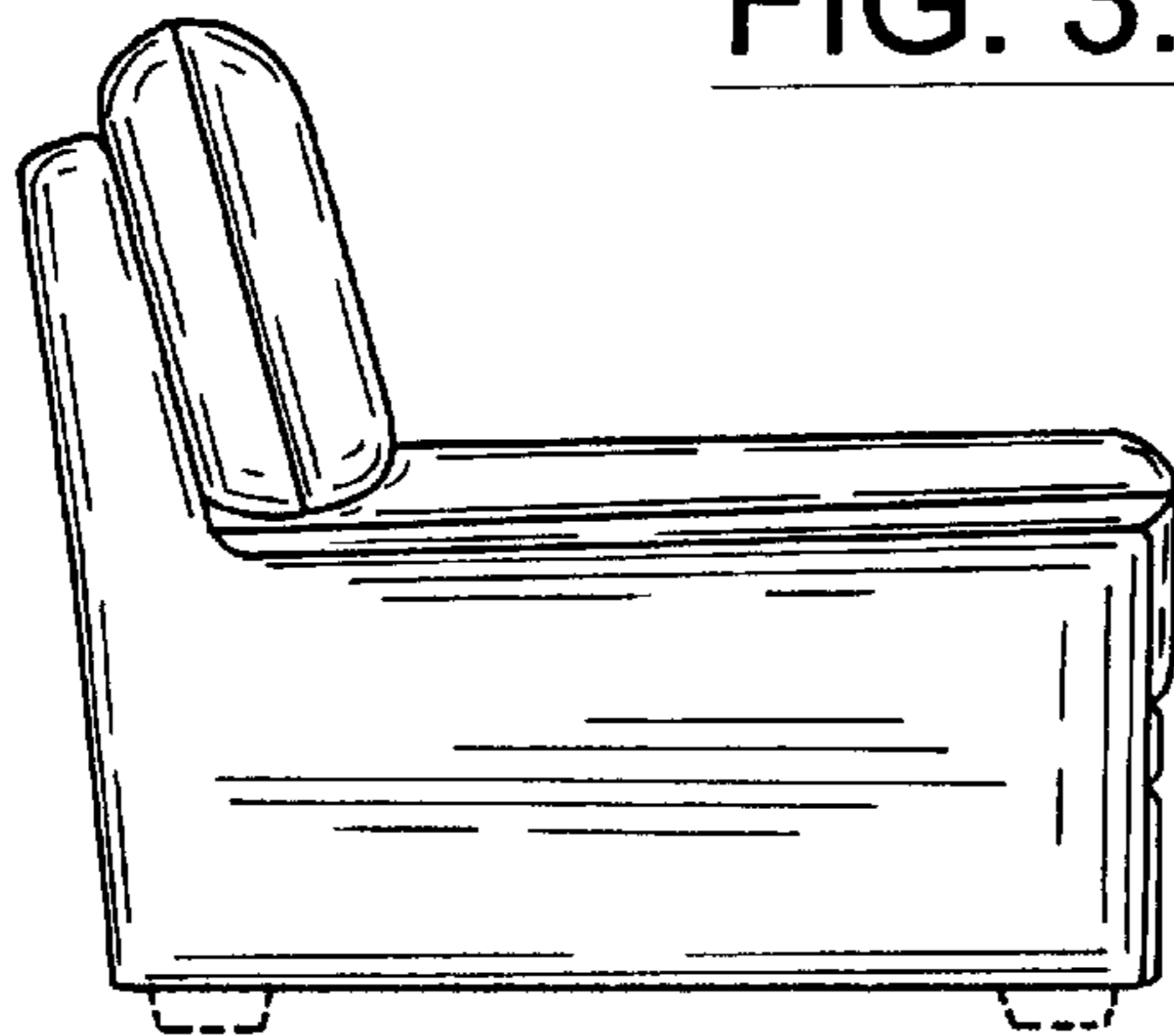


FIG. 4.

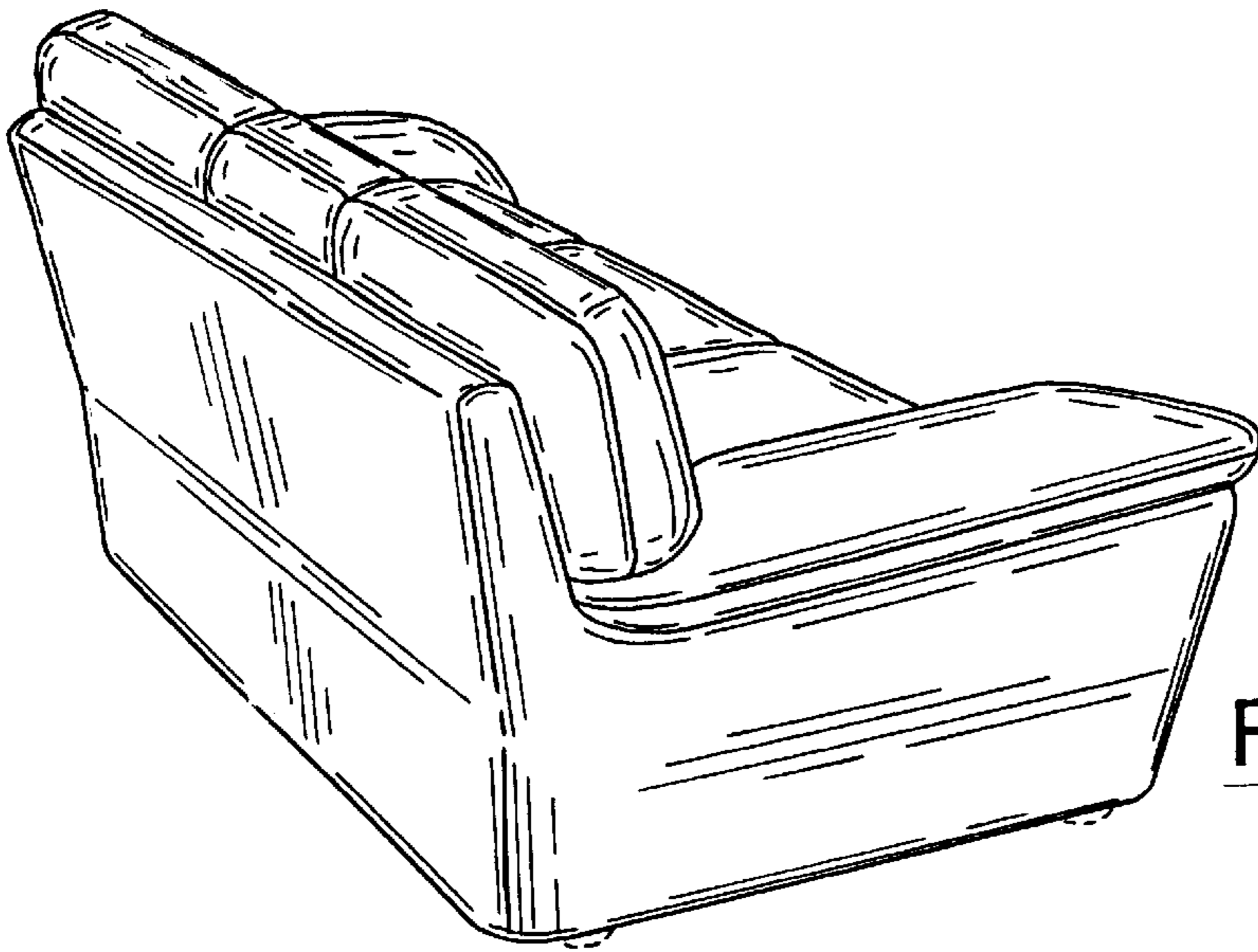


FIG. 5.

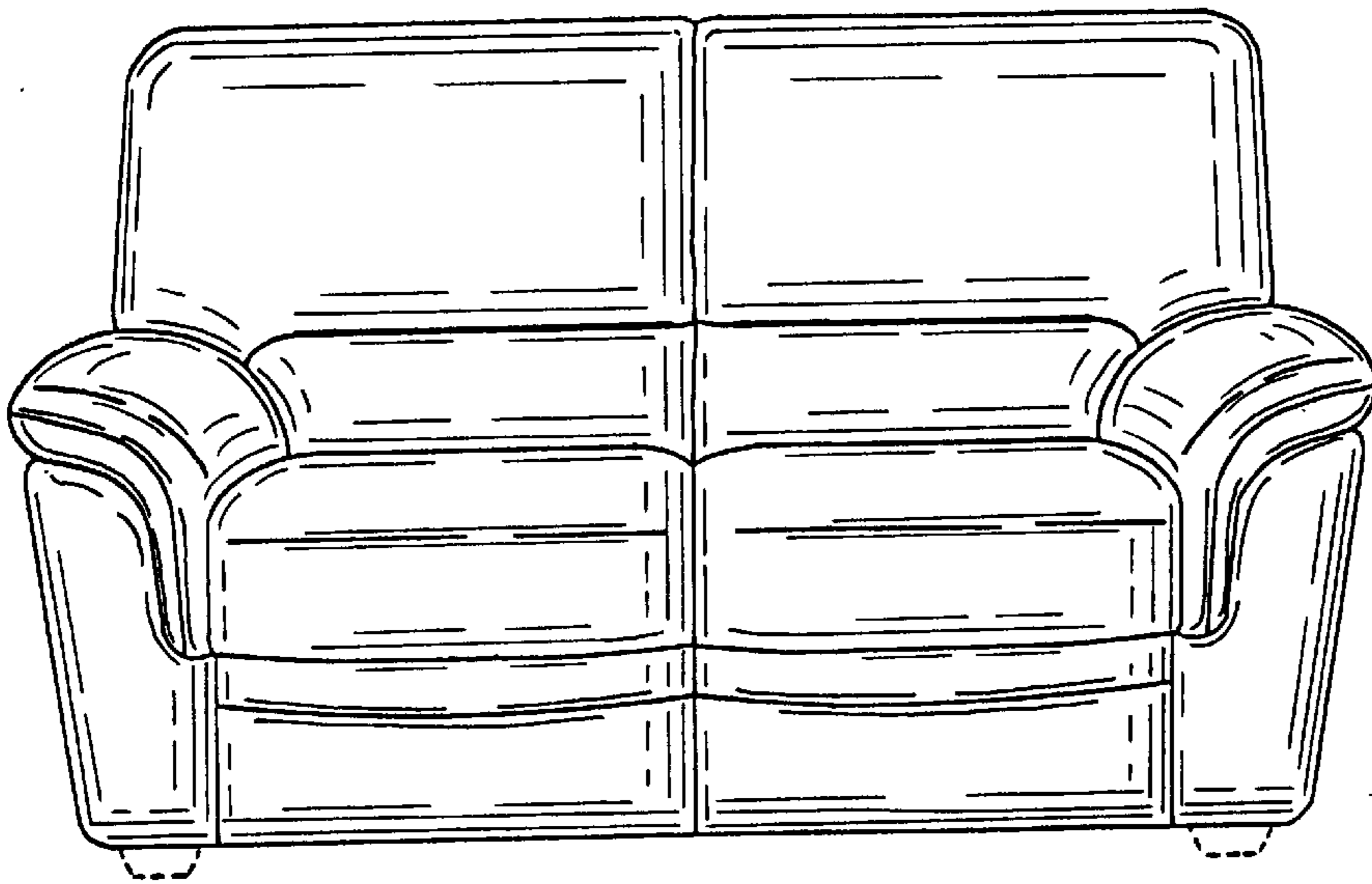


FIG. 6.

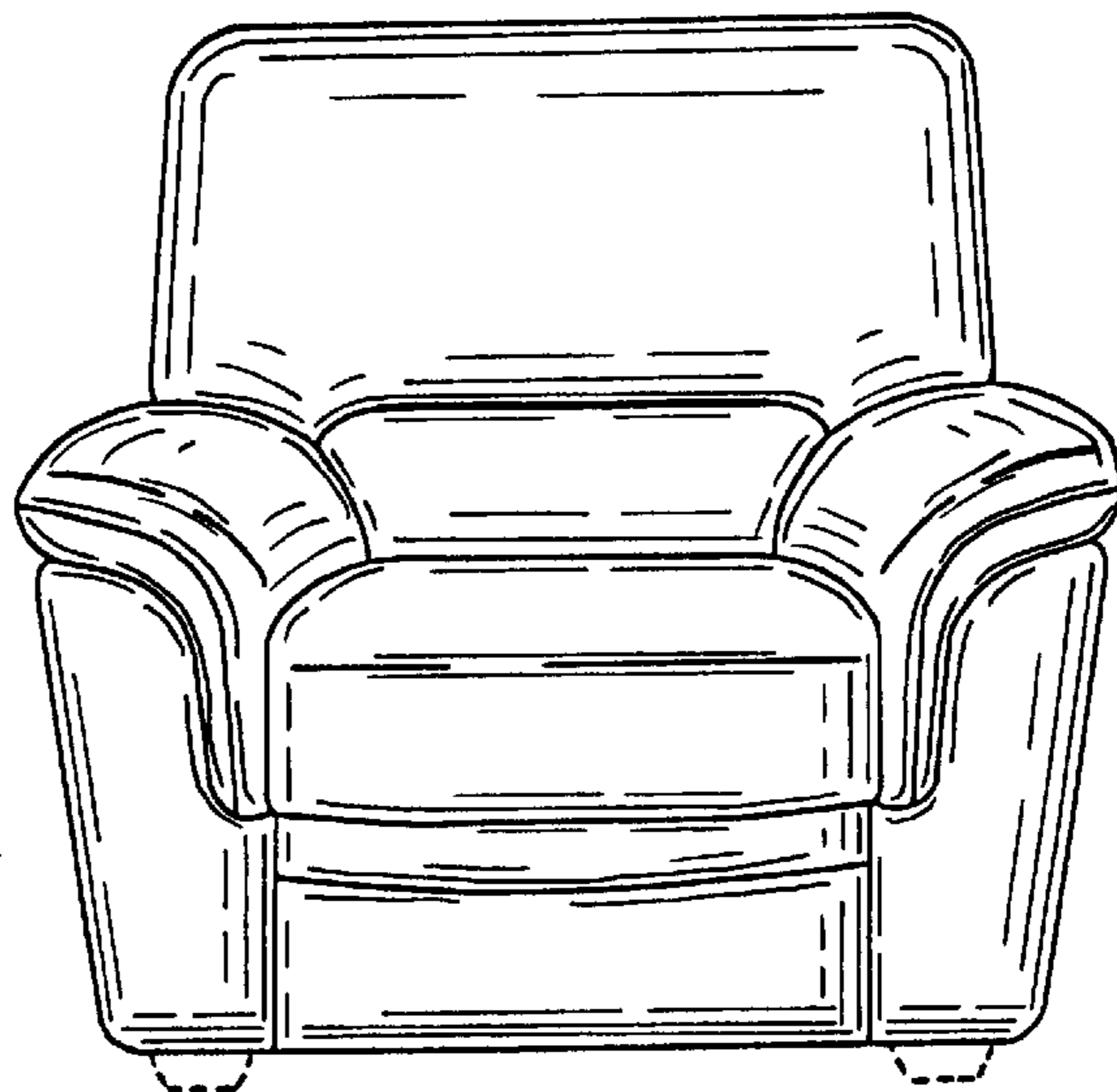


FIG. 7.