



US00D431924S

United States Patent [19]

[11] **Patent Number: Des. 431,924**

Natuzzi et al.

[45] **Date of Patent: ** Oct. 17, 2000**

[54] **SEAT**

[75] Inventors: **Pasquale Natuzzi, Bari; Cosimo Suma, Matera, both of Italy**

[73] Assignee: **Industrie Natuzzi, SpA, Bari, Italy**

[**] Term: **14 Years**

[21] Appl. No.: **29/110,825**

[22] Filed: **Sep. 14, 1999**

[51] **LOC (7) Cl. 06-01**

[52] **U.S. Cl. D6/381; D6/334**

[58] **Field of Search D6/334, 335, 364, D6/371, 373, 381, 500, 501, 502; 5/12.1; 297/232**

Natuzzi Model 947, Oct. 1992, at International Home Furnishing Market in High Point, North Carolina.
Natuzzi Model 949, Oct. 1992, at International Home Furnishings Market in High Point, North Carolina.
Natuzzi Model 1025, Mar. 1993, at International Home Furnishings Market in High Point, North Carolina.
Natuzzi Model 1257, Mar. 1995, at International Home Furnishings Market in High Point, North Carolina.
Natuzzi Model 1298, Mar. 1995, at International Home Furnishings Market in High Point, North Carolina.
Natuzzi Model 1300, Mar. 1995, at International Home Furnishings Market in High Point, North Carolina.
Natuzzi Model 1302, Mar. 1995, at International Home Furnishings Market in High Point, North Carolina.
Natuzzi Model 1321, Apr. 1995, at International Home Furnishings Market in High Point, North Carolina.

(List continued on next page.)

[56] **References Cited**

U.S. PATENT DOCUMENTS

D. 355,309	2/1995	Natuzzi et al.	D6/381
D. 369,479	5/1996	Natuzzi et al.	D6/381
D. 373,484	9/1996	Natuzzi et al.	D6/381
D. 381,528	7/1997	Natuzzi et al.	D6/381
D. 382,723	8/1997	Natuzzi et al.	D6/381
D. 384,215	9/1997	Chandler	D6/381
D. 402,818	12/1998	Gera	D6/381
D. 414,954	10/1999	Christa et al.	D6/381
D. 415,628	10/1999	Lewis	D6/381

OTHER PUBLICATIONS

Natuzzi Model 499, Apr. 1989, at International Home Furnishings Market in High Point, North Carolina.
Natuzzi Model 616/617, Oct. 1988, at International Home Furnishings Market in High Point, North Carolina.
Natuzzi Model 622/623, Oct. 1988, at International Home Furnishings Market in High Point, North Carolina.
Natuzzi Model 723, Oct. 1989, at International Home Furnishings Market in High Point, North Carolina.
Natuzzi Model 782, Oct. 1990, at International Home Furnishings Market in High Point, North Carolina.
Natuzzi Model 847, Apr. 1991, at International Home Furnishings Market in High Point, North Carolina.
Natuzzi Model 891, Oct. 1991, at International Home Furnishings Market in High Point, North Carolina.

Primary Examiner—Gary D. Watson
Attorney, Agent, or Firm—Alston & Bird LLP

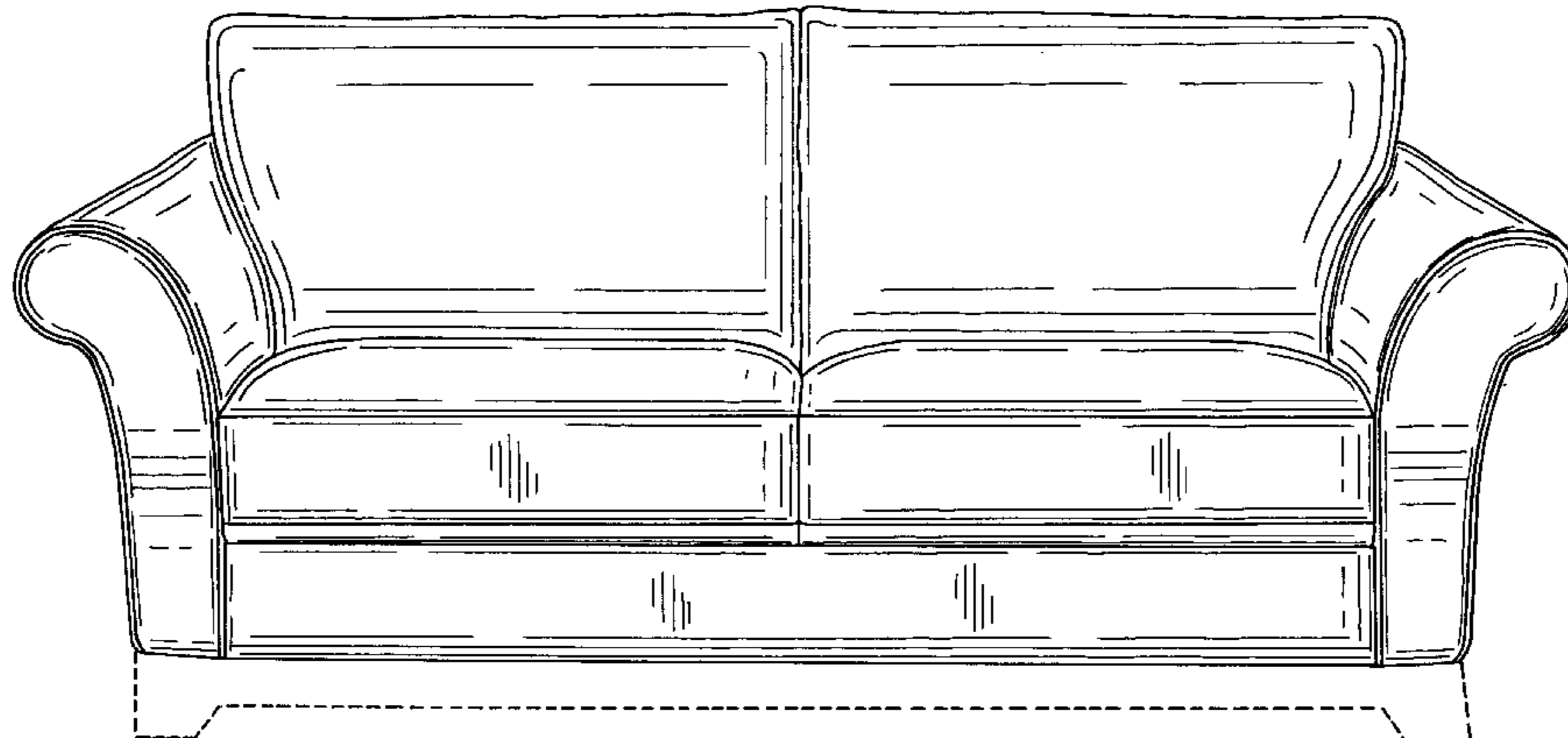
[57] **CLAIM**

The ornamental design for a seat, as shown and described.

DESCRIPTION

FIG. 1 is a front perspective view of a seat showing our new design in the form of a sofa;
FIG. 2 is a front elevational view thereof;
FIG. 3 is a top plan view thereof;
FIG. 4 is a right side elevational view, the left side being a mirror image thereof;
FIG. 5 is a rear perspective view thereof;
FIG. 6 is a front elevational view of a seat showing our new design in the form of a loveseat; and,
FIG. 7 is a front elevational view of a seat showing our new design in the form of a chair.
The broken lines shown herein are for illustrative purposes only and form no part of the claimed design.
The rear views of FIGS. 6 and 7 are like FIG. 5, the difference being a matter of length.
The end views of FIGS. 6 and 7 are like FIG. 4.
FIGS. 1 and 5 are shown on an enlarged scale with respect to the other views.

1 Claim, 3 Drawing Sheets



OTHER PUBLICATIONS

Natuzzi Model 1338, Sep. 1995, at International Home Furnishings Market in High Point, North Carolina.

Natuzzi Model 1380, Oct. 1995, at International Home Furnishings Market in High Point, North Carolina.

Natuzzi Model 1383, Oct. 1995, at International Home Furnishings Market in High Point, North Carolina.

Natuzzi Model 1385, Oct. 1995, at International Home Furnishings Market in High Point, North Carolina.

Natuzzi Model 1429, Mar. 1996, at International Home Furnishings Market in High Point, North Carolina.

Natuzzi Model 1437, Mar. 1996, at International Home Furnishings Market in High Point, North Carolina.

Natuzzi Model 1636, Oct. 1997, at International Home Furnishings Market in High Point, North Carolina.

Natuzzi Model 1638, Oct. 1997, at International Home Furnishings Market in High Point, North Carolina.

Natuzzi Model 1693, Apr. 1998, at International Home Furnishings Market in High Point, North Carolina.

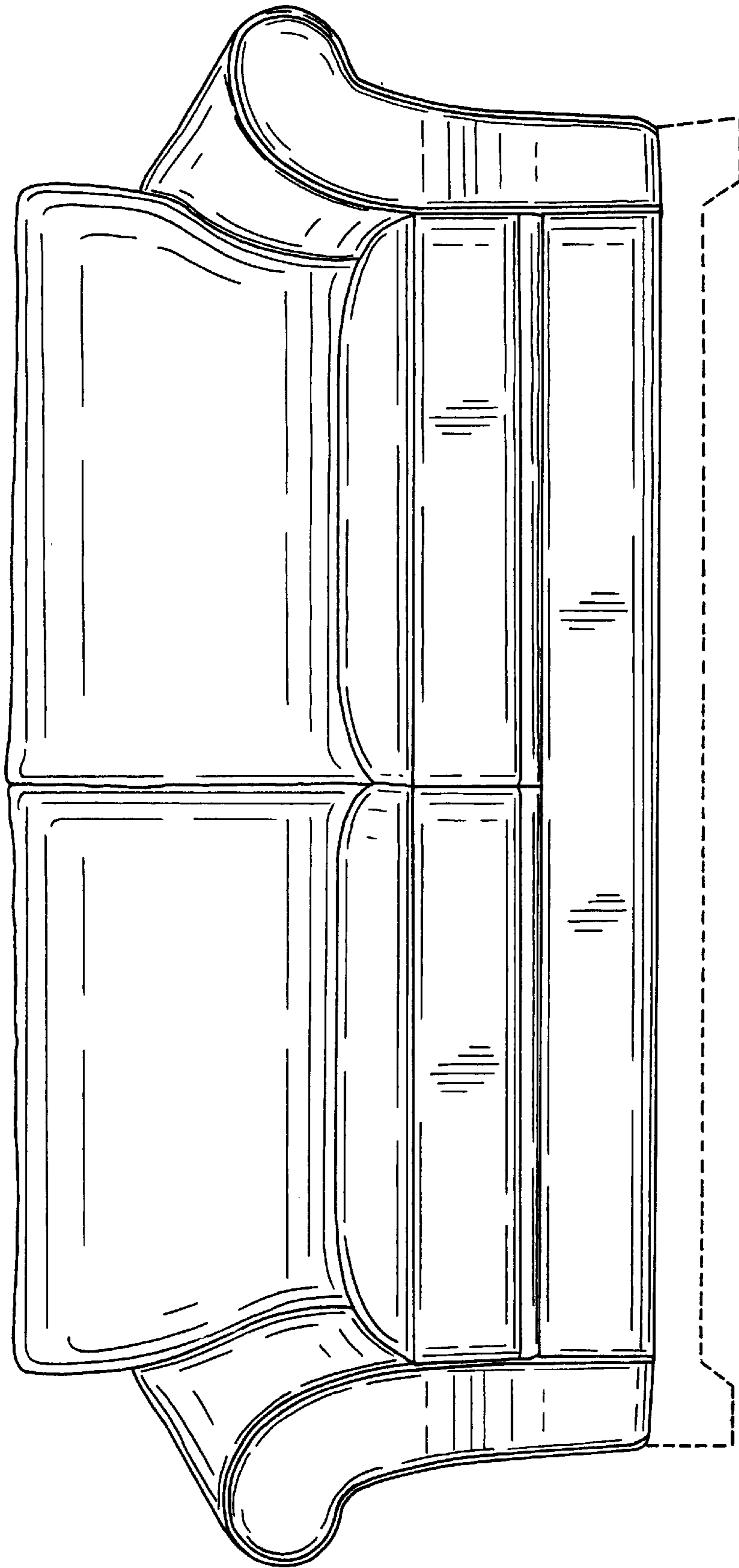


FIG. 1.



FIG. 2.

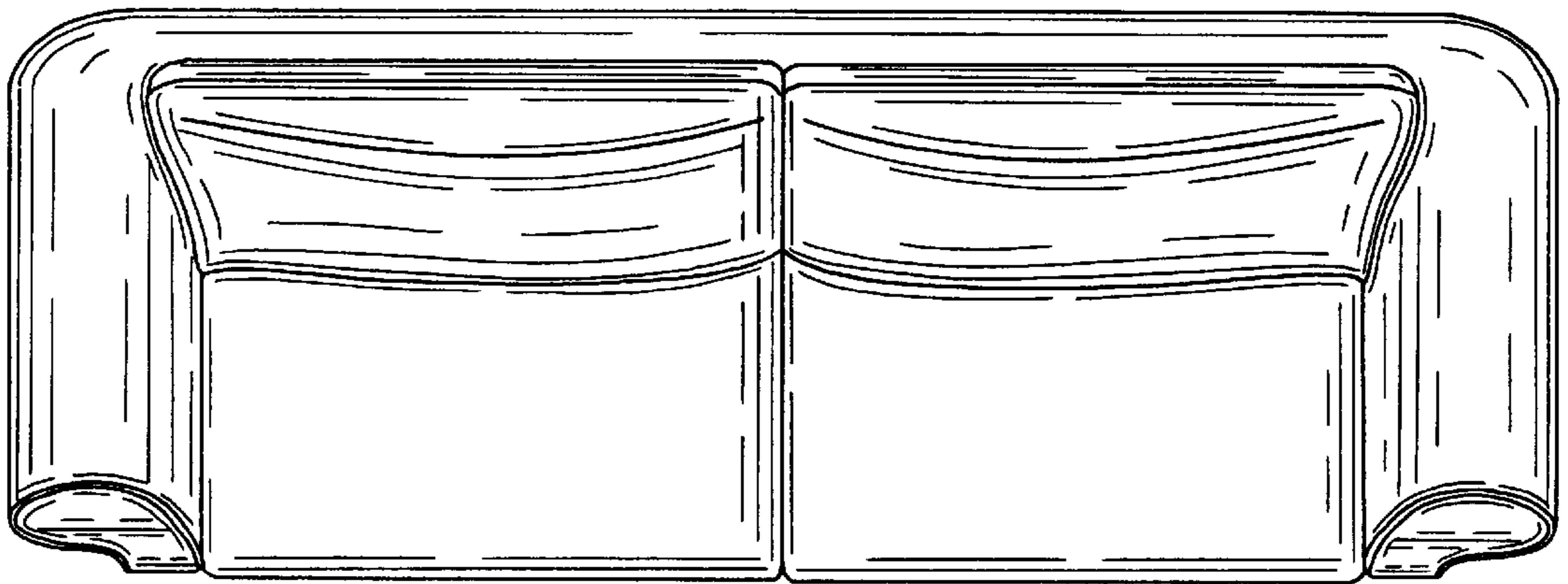


FIG. 3.

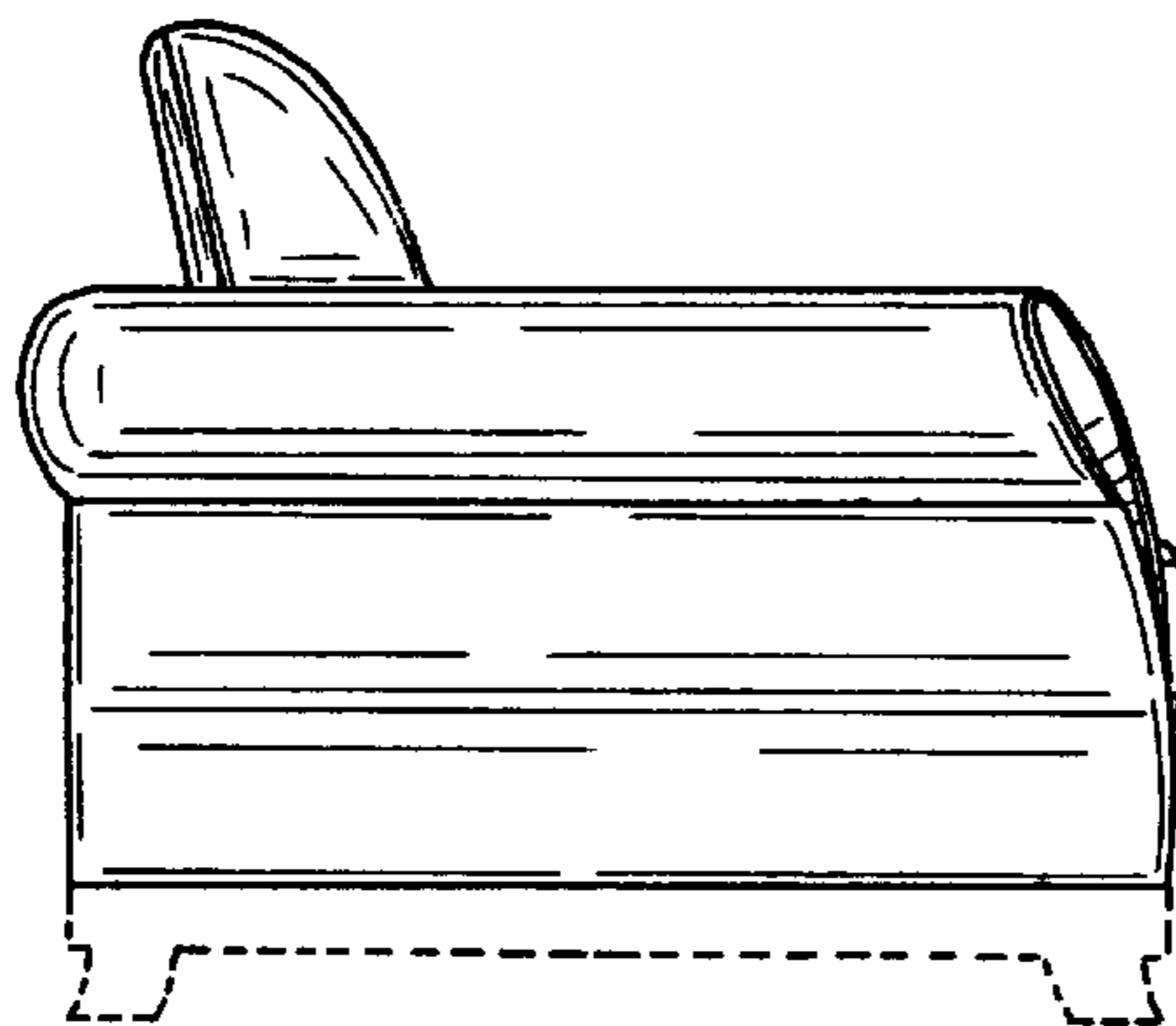


FIG. 4.

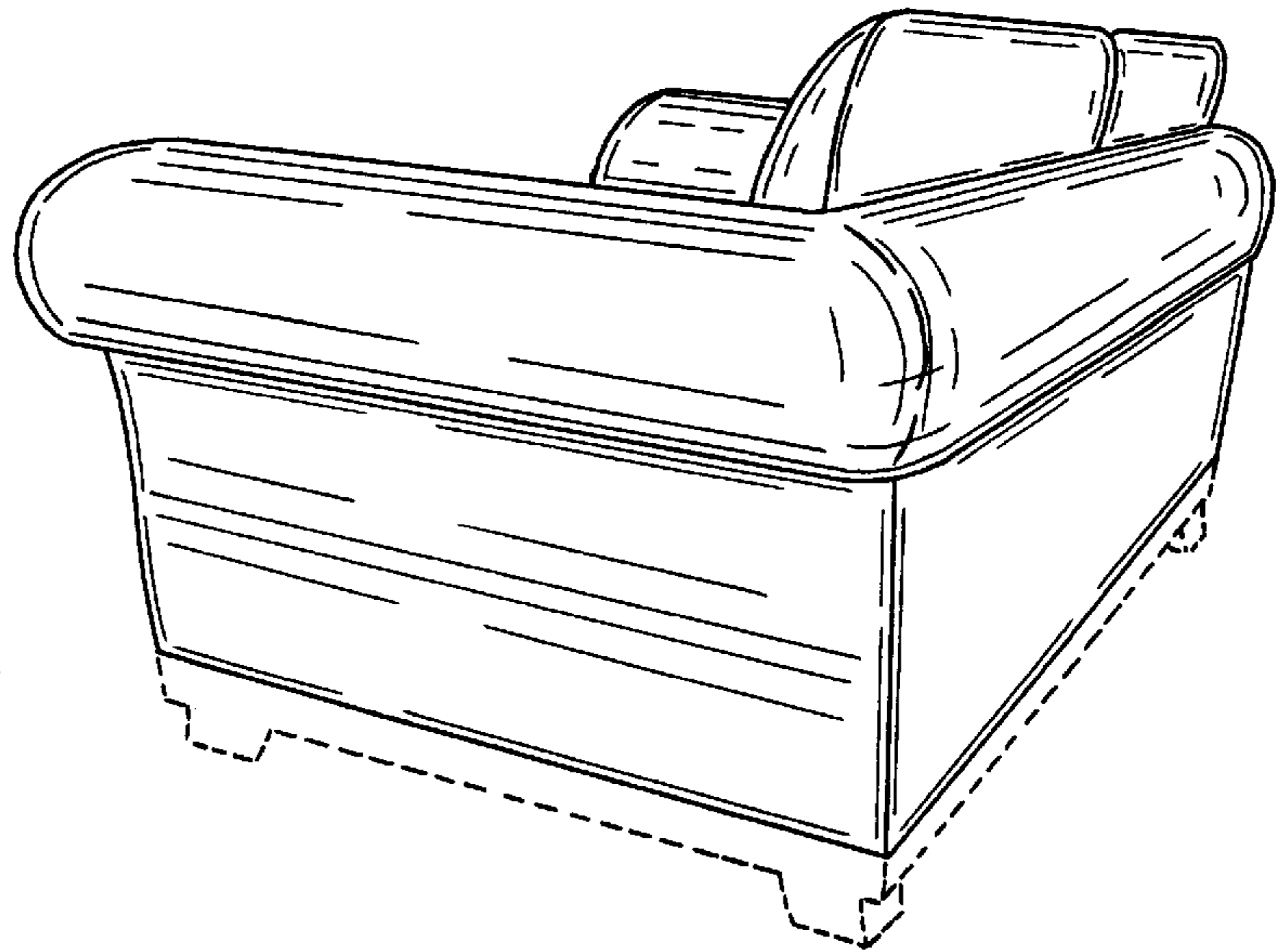


FIG. 5.

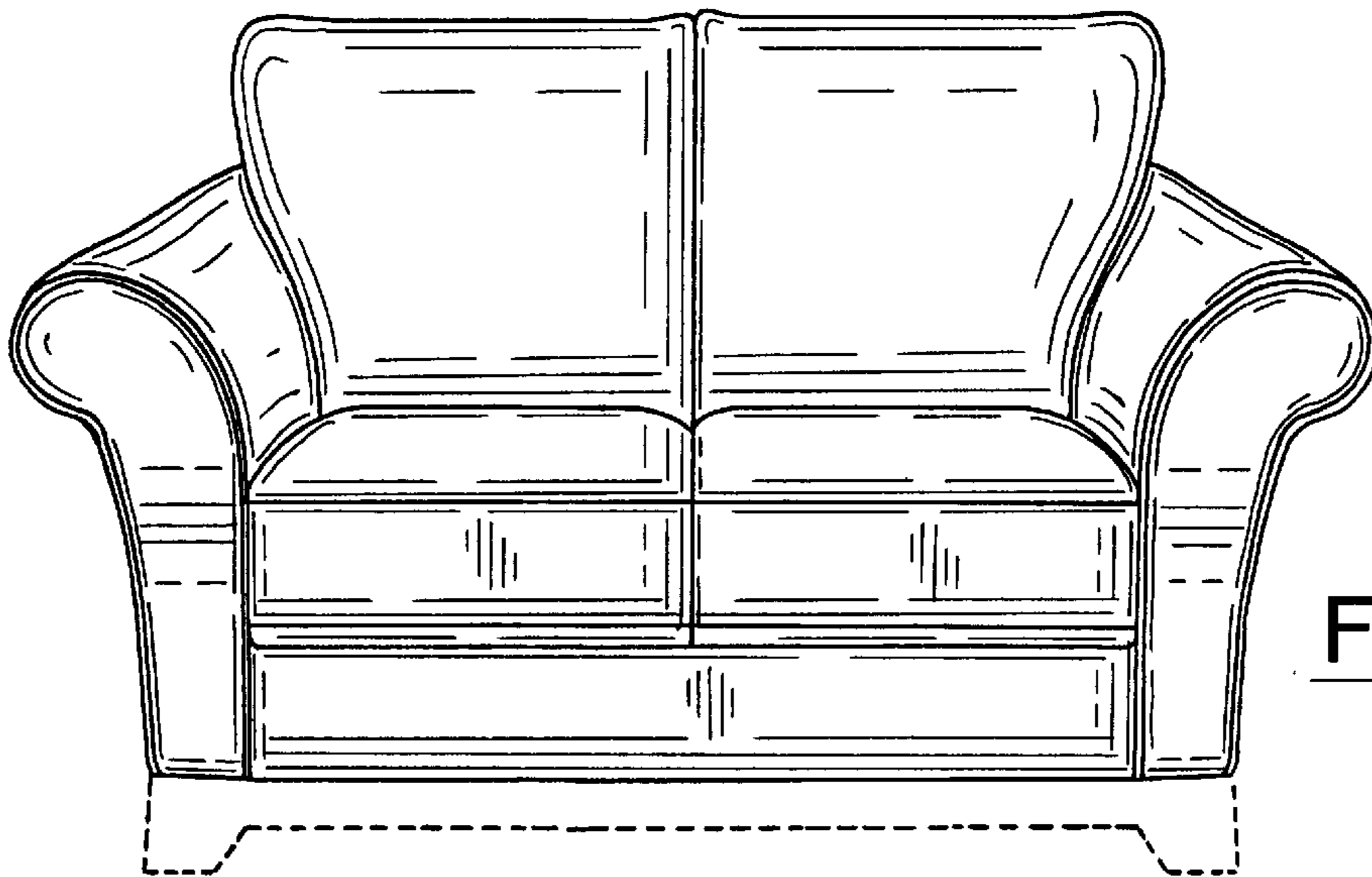


FIG. 6.

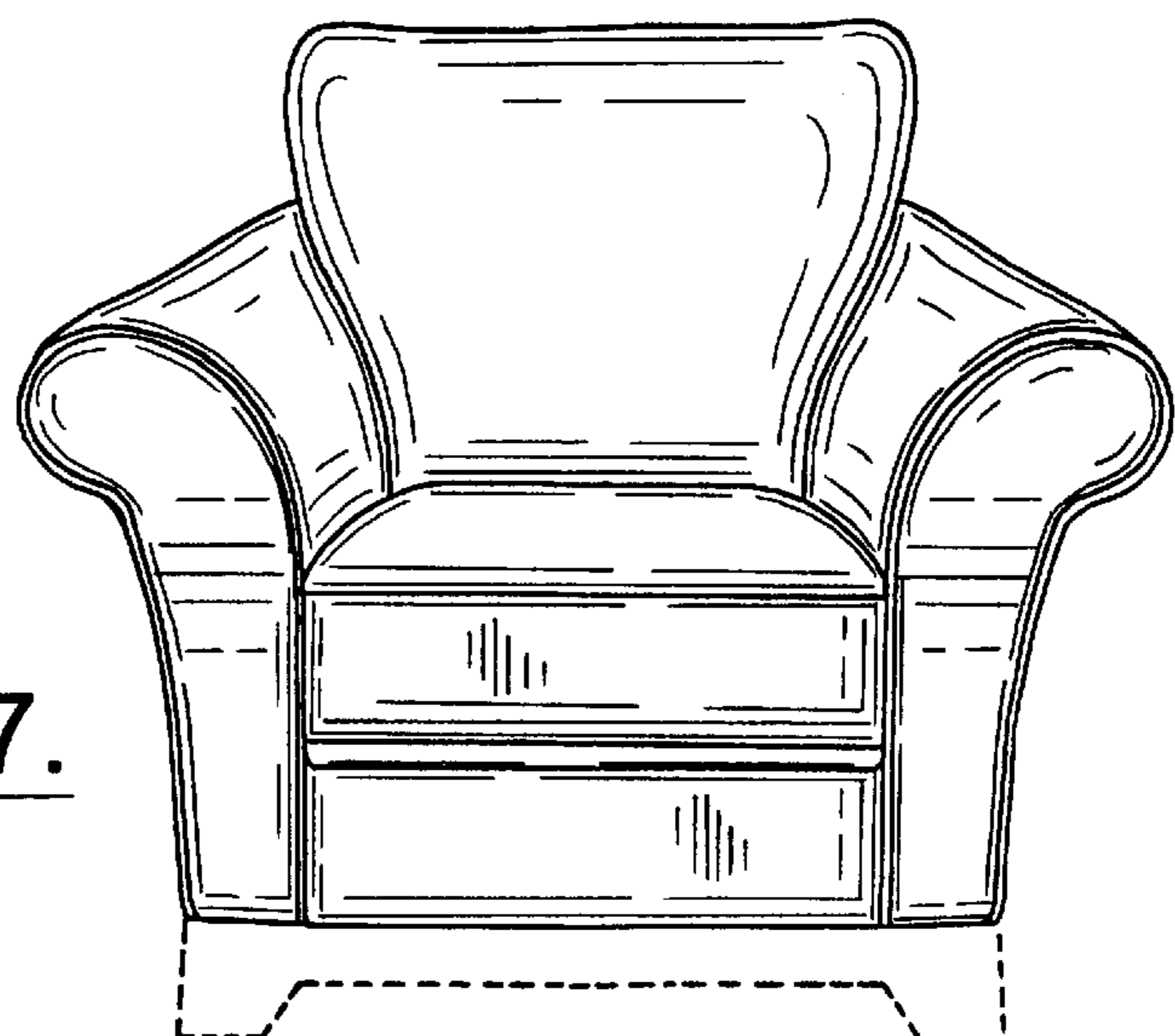


FIG. 7.