



US00D431921S

United States Patent [19] Hammer

[11] **Patent Number: Des. 431,921**

[45] **Date of Patent: ** Oct. 17, 2000**

[54] **CHAIR**

D. 403,169 12/1998 Tseng D6/366
D. 411,380 6/1999 Goodworth et al. D6/366

[75] Inventor: **David Hammer**, Taipei, Taiwan

OTHER PUBLICATIONS

[73] Assignee: **Chairworks Taiwan Limited**, China

Furniture Today, p. 32, Chair Works Chair at bottom, Apr. 27, 1998.

[**] Term: **14 Years**

Furniture Today, p. 43, Palliser Chair at center page, Apr. 27, 1998.

[21] Appl. No.: **29/115,997**

[22] Filed: **Dec. 28, 1999**

Primary Examiner—Gary D. Watson
Attorney, Agent, or Firm—Bierman, Muserlian and Lucas

[51] **LOC (7) Cl.** **06-06**

[52] **U.S. Cl.** **D6/366**

[58] **Field of Search** D6/364, 365, 366,
D6/367, 379, 500, 501, 502; 297/411.2,
411.27, 411.28

[57] **CLAIM**

The ornamental design for a chair, substantially as shown and described.

[56] **References Cited**

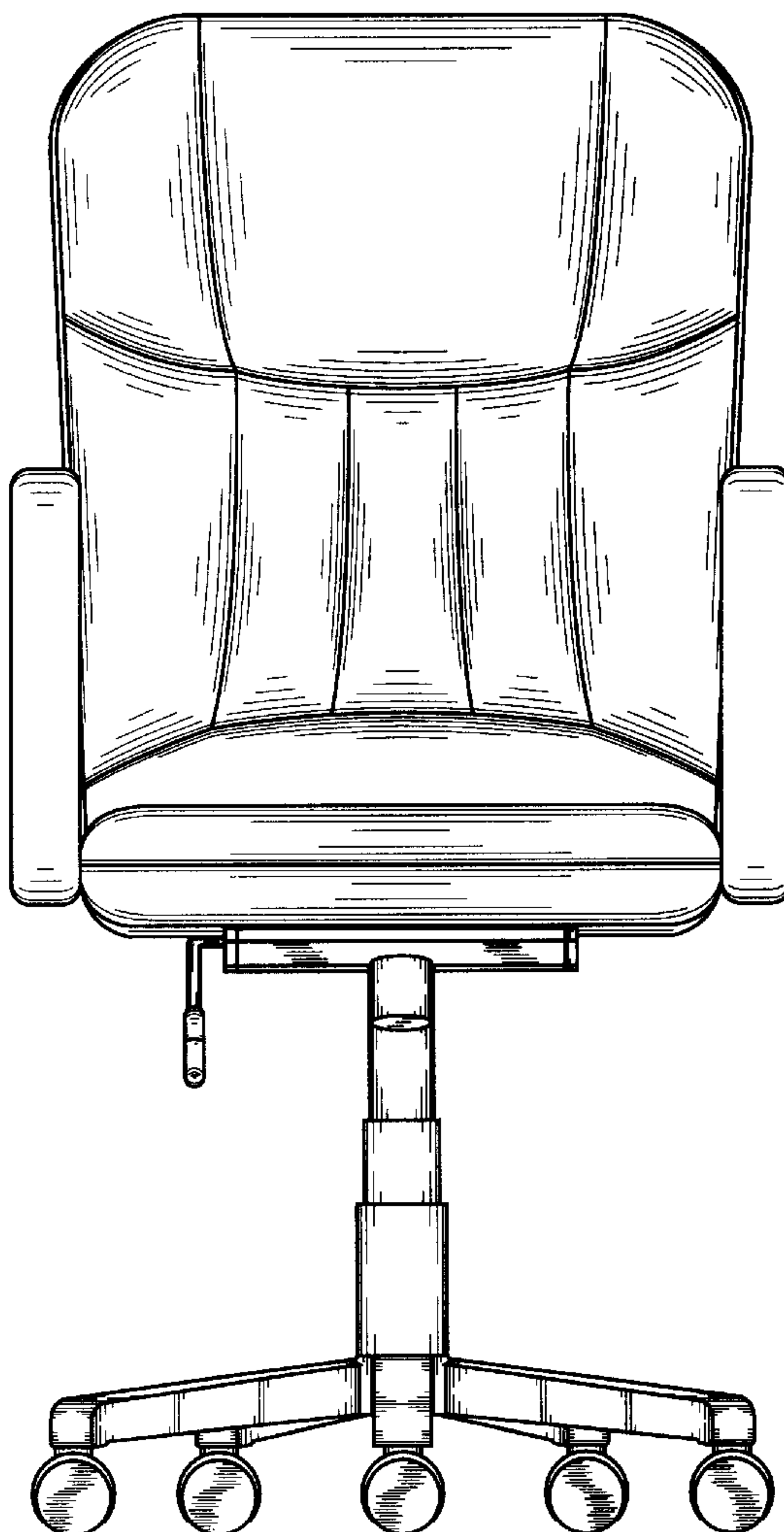
DESCRIPTION

U.S. PATENT DOCUMENTS

D. 272,585	2/1984	Tolleson	D6/366
D. 322,898	1/1992	Zapf	D6/366
D. 369,489	5/1996	McDiarmid	D6/502
D. 374,779	10/1996	Feldberg	D6/366
D. 393,157	4/1998	Goodworth et al.	D6/366

FIG. 1 is a front view of my chair design;
FIG. 2 is a back view of my chair design;
FIG. 3 is a top view of my chair design;
FIG. 4 is a bottom view of my chair design;
FIG. 5 is a right-side view of my chair design; and,
FIG. 6 is a left-side view of my chair design.

1 Claim, 6 Drawing Sheets



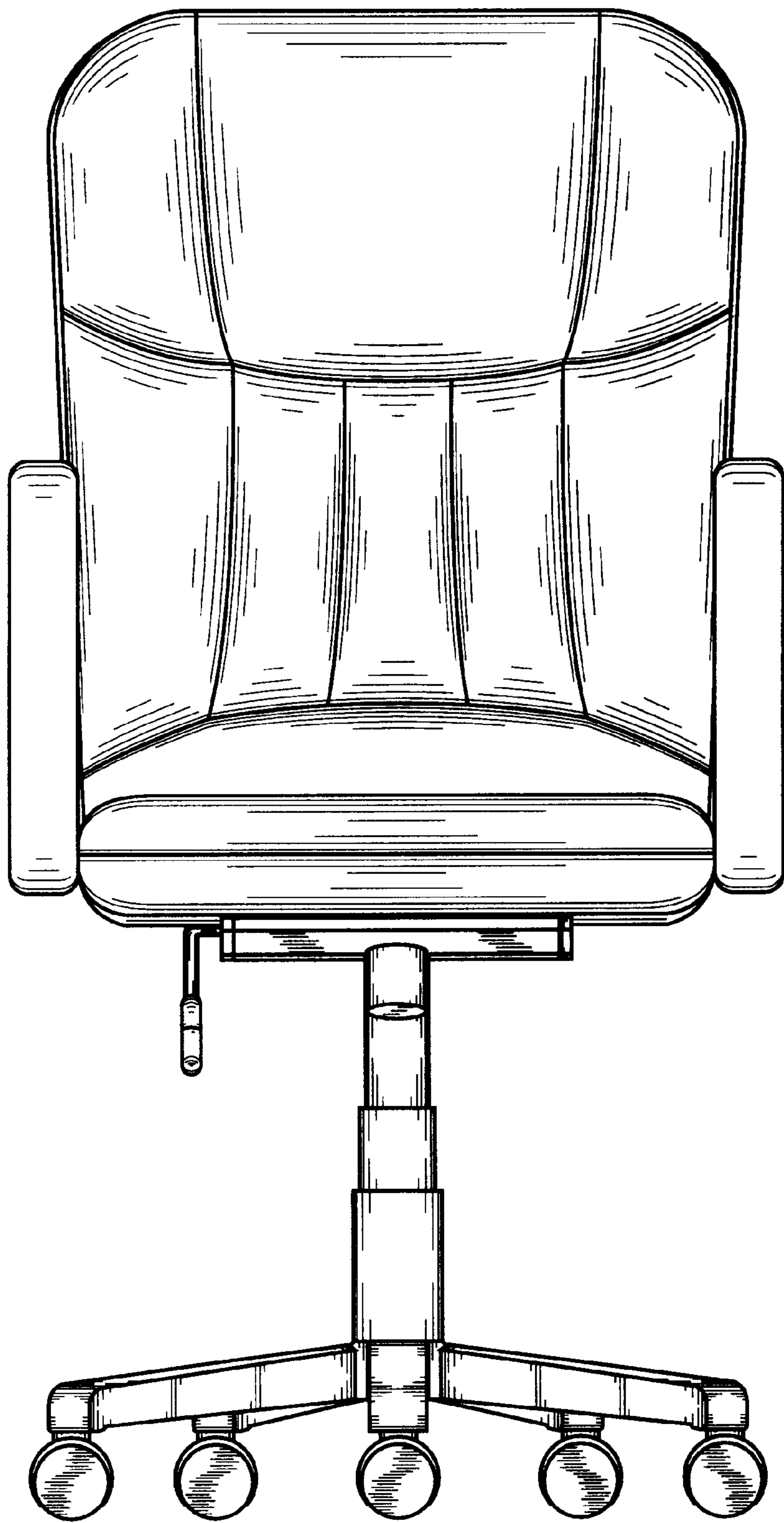


FIG. 1

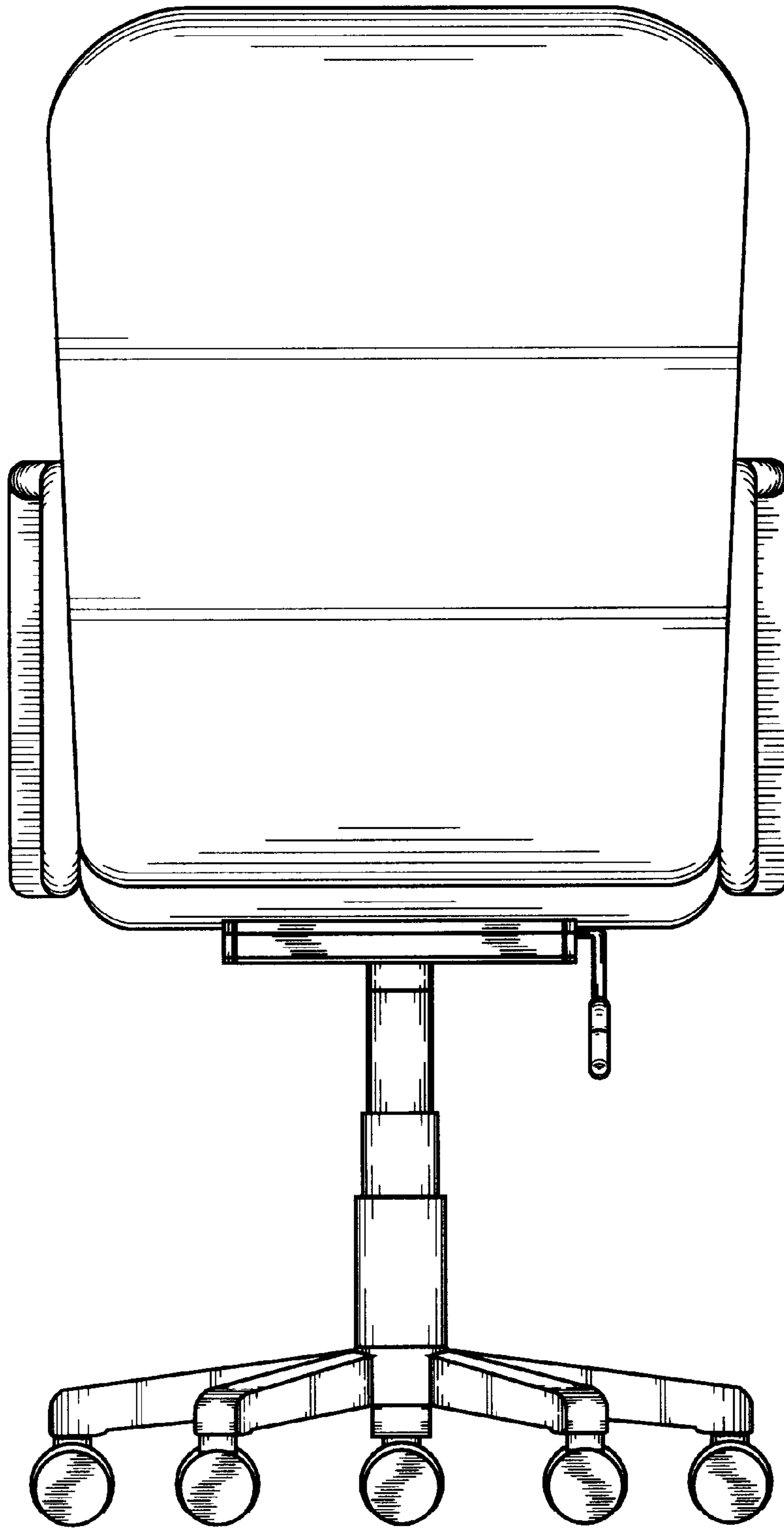


FIG. 2

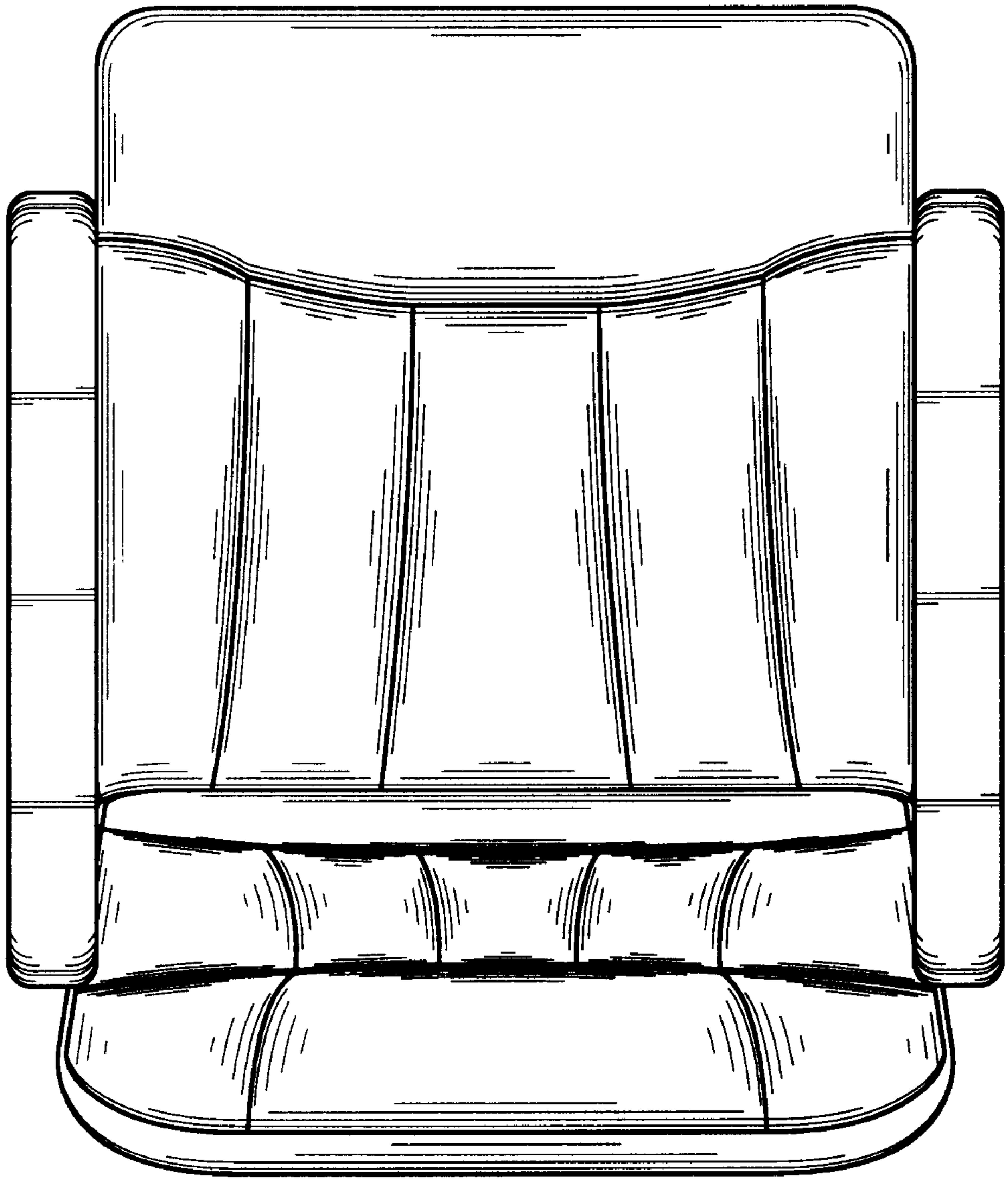


FIG. 3

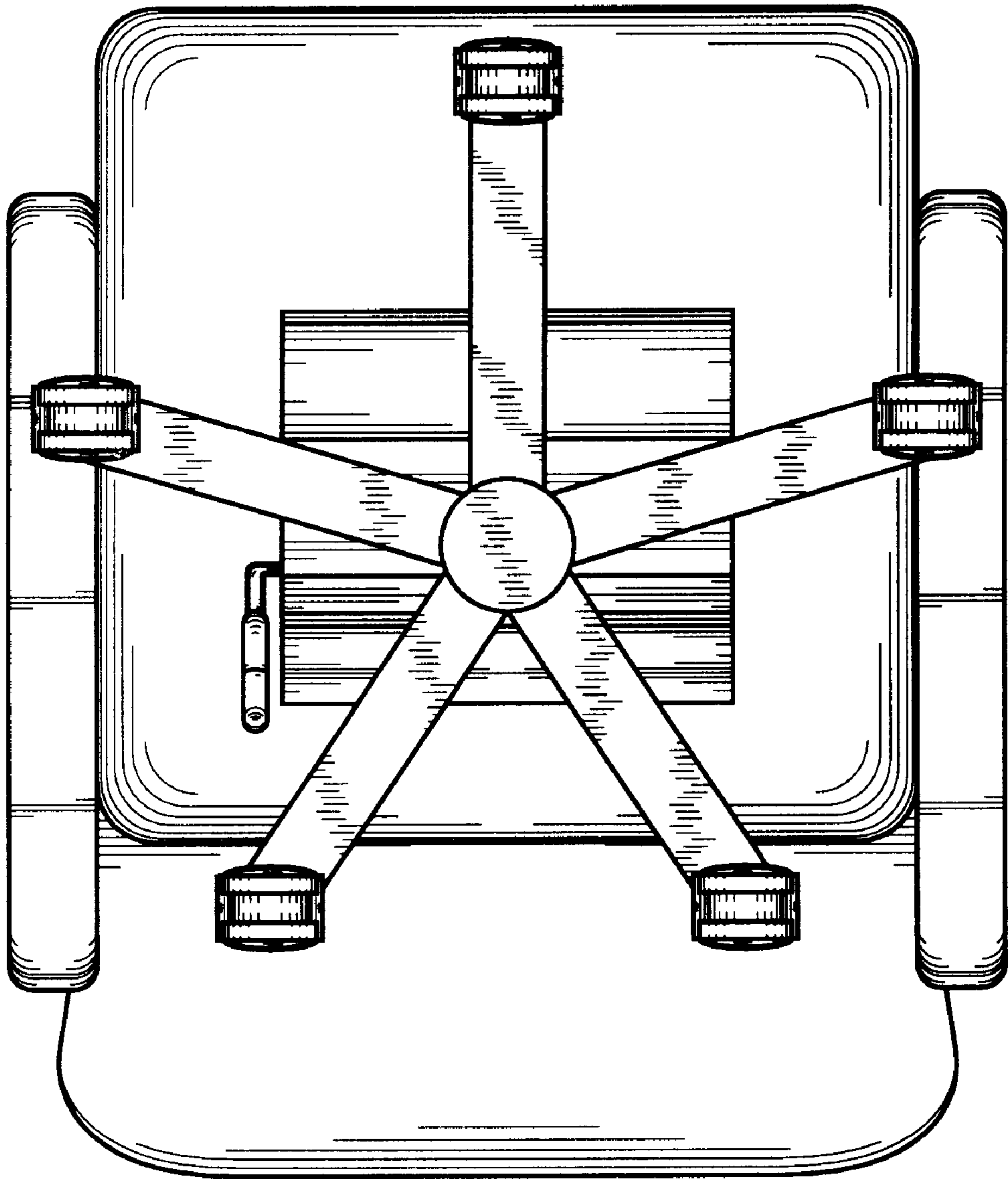


FIG. 4

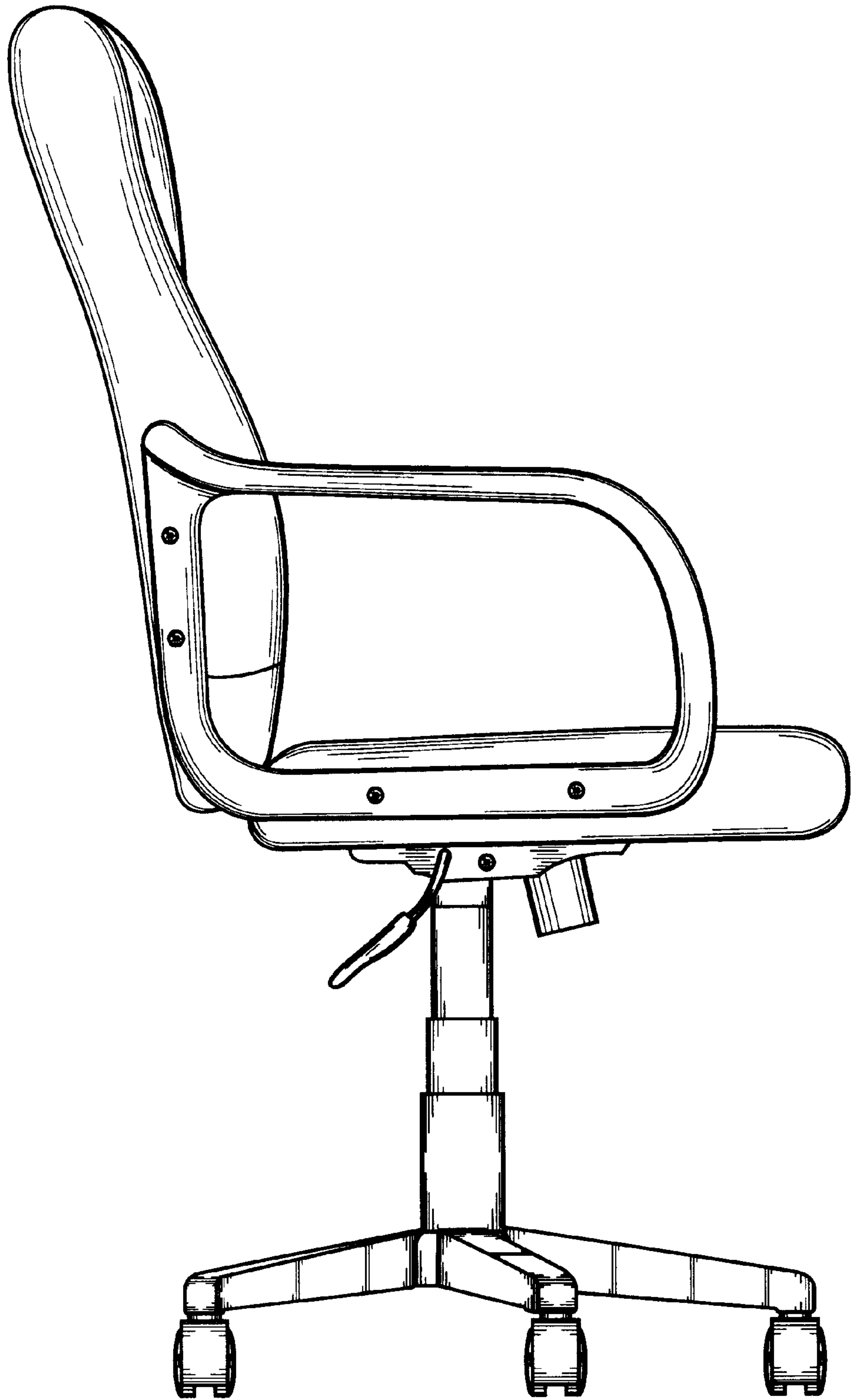


FIG. 5

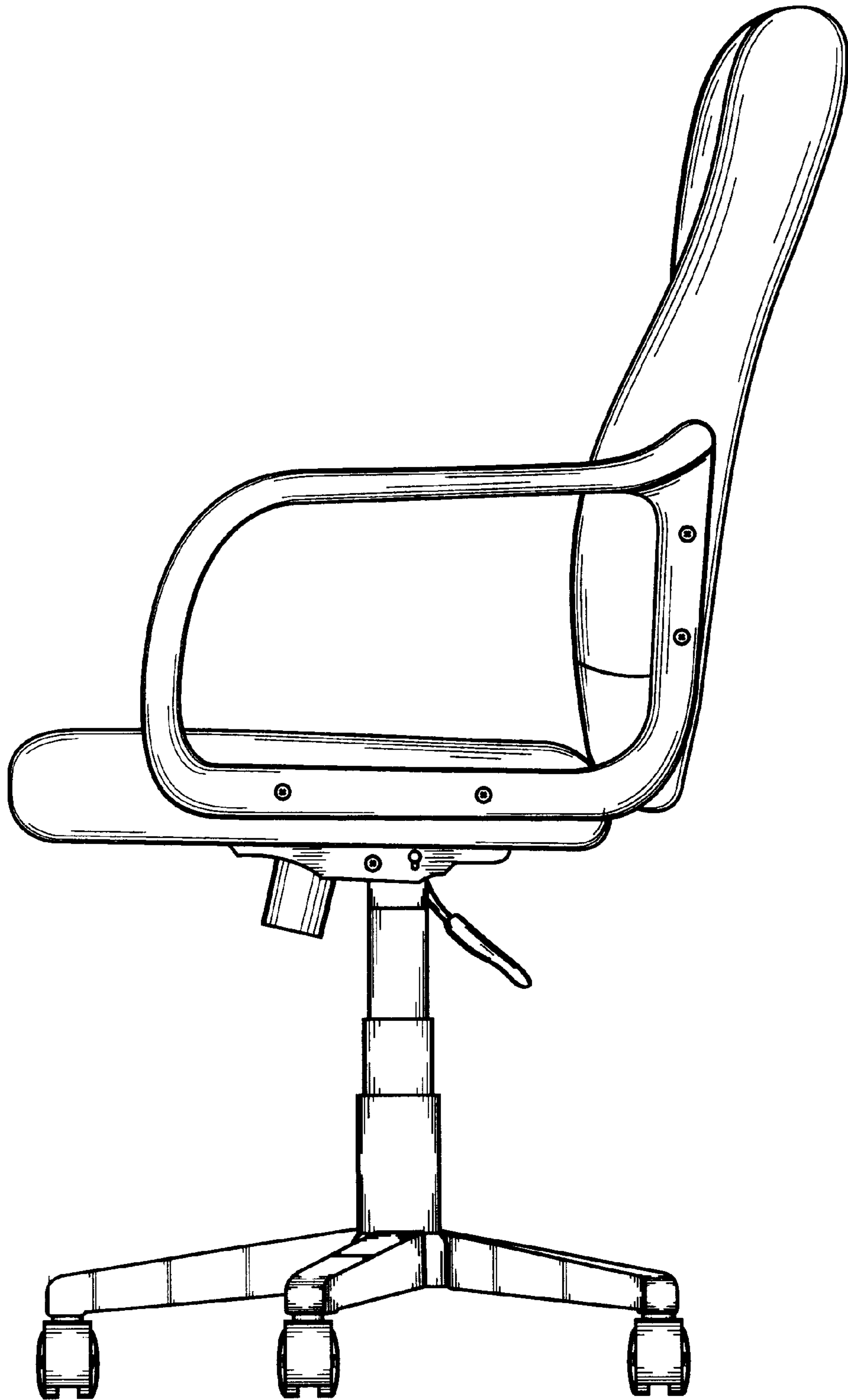


FIG. 6