



US00D431919S

United States Patent [19] Bontrager

[11] **Patent Number: Des. 431,919**
[45] **Date of Patent: ** Oct. 17, 2000**

[54] **BICYCLE SADDLE**
[75] Inventor: **Keith D. Bontrager**, Santa Cruz, Calif.
[73] Assignee: **Trek Bicycle Corporation**, Waterloo, Wis.
[**] Term: **14 Years**
[21] Appl. No.: **29/110,484**
[22] Filed: **Sep. 8, 1999**
[51] **LOC (7) Cl. 06-01**
[52] **U.S. Cl. D6/354**
[58] **Field of Search D6/354; 297/195.1, 297/195.12, 201-205, 214, 215, 219, 219.11**

5,388,887 2/1995 Read 297/195.1
5,395,155 3/1995 Yach 297/215.14
5,524,961 6/1996 Howard 297/199
5,558,396 9/1996 Yu 297/195.1
5,636,896 6/1997 Howard 297/199
5,645,315 7/1997 Walker et al. .
5,714,108 2/1998 Girardi et al. 264/331.17
5,720,518 2/1998 Harrison .
5,765,912 6/1998 Bontrager 297/214
5,863,094 1/1999 Endo 297/201
5,873,626 2/1999 Katz 297/202
5,904,396 5/1999 Yates .
5,911,474 6/1999 Lee 297/201
5,911,475 6/1999 Nakahara 297/219.11
5,918,931 7/1999 Culbertson 297/202

[56] **References Cited**
U.S. PATENT DOCUMENTS
D. 407,910 4/1999 Terry D6/354
D. 412,791 8/1999 Tsai D6/354
D. 416,394 11/1999 Minkow et al. D6/354
D. 416,695 11/1999 Minkow et al. D6/354
574,503 1/1897 Van Meter .
581,464 4/1897 Hollenbeck .
615,077 11/1898 Lovekin .
823,915 6/1906 Brooks et al. .
2,770,287 11/1956 Christensen 155/9
3,708,201 1/1973 Lamkemeyer 297/214
3,815,953 6/1974 Worley 297/195
4,218,090 8/1980 Hoffacker et al. .
4,572,575 2/1986 Golden et al. 297/195
4,662,677 5/1987 Hughes 297/195
4,768,826 9/1988 Kashima 297/195
4,850,643 7/1989 Rollman 297/214
4,898,422 2/1990 West, III 297/202
4,952,439 8/1990 Hanson .
5,011,222 4/1991 Yates et al. 297/195
5,048,891 9/1991 Yach 297/195
5,074,618 12/1991 Ballard 297/199
5,076,642 12/1991 Beylet et al. 297/195
5,108,076 4/1992 Chiarella 297/195
5,165,752 11/1992 Terry 297/214
5,203,607 4/1993 Landi .
5,356,198 10/1994 Hughes 297/195.1
5,362,126 11/1994 Bontrager 297/195.1

FOREIGN PATENT DOCUMENTS

WO 99/20517 4/1999 WIPO .

OTHER PUBLICATIONS

Selle Italia® 1999 product brochure: 6-page foldout illustrating a variety of bicycle saddles; ProNet Incorporated—Seattle, Washington distributor.
Unnumbered, two-sided color magazine page, illustrating two bicycle company advertisements: 1) Koobi “Splitfit Technology” bicycle saddle; 2) Specialized “Rockhopper A1 Comp,” Sep. 1999 *Mountainbike* magazine.

Primary Examiner—Melody N. Brown
Attorney, Agent, or Firm—Boyle Fredrickson Ziolkowski S.C.; James F. Boyle

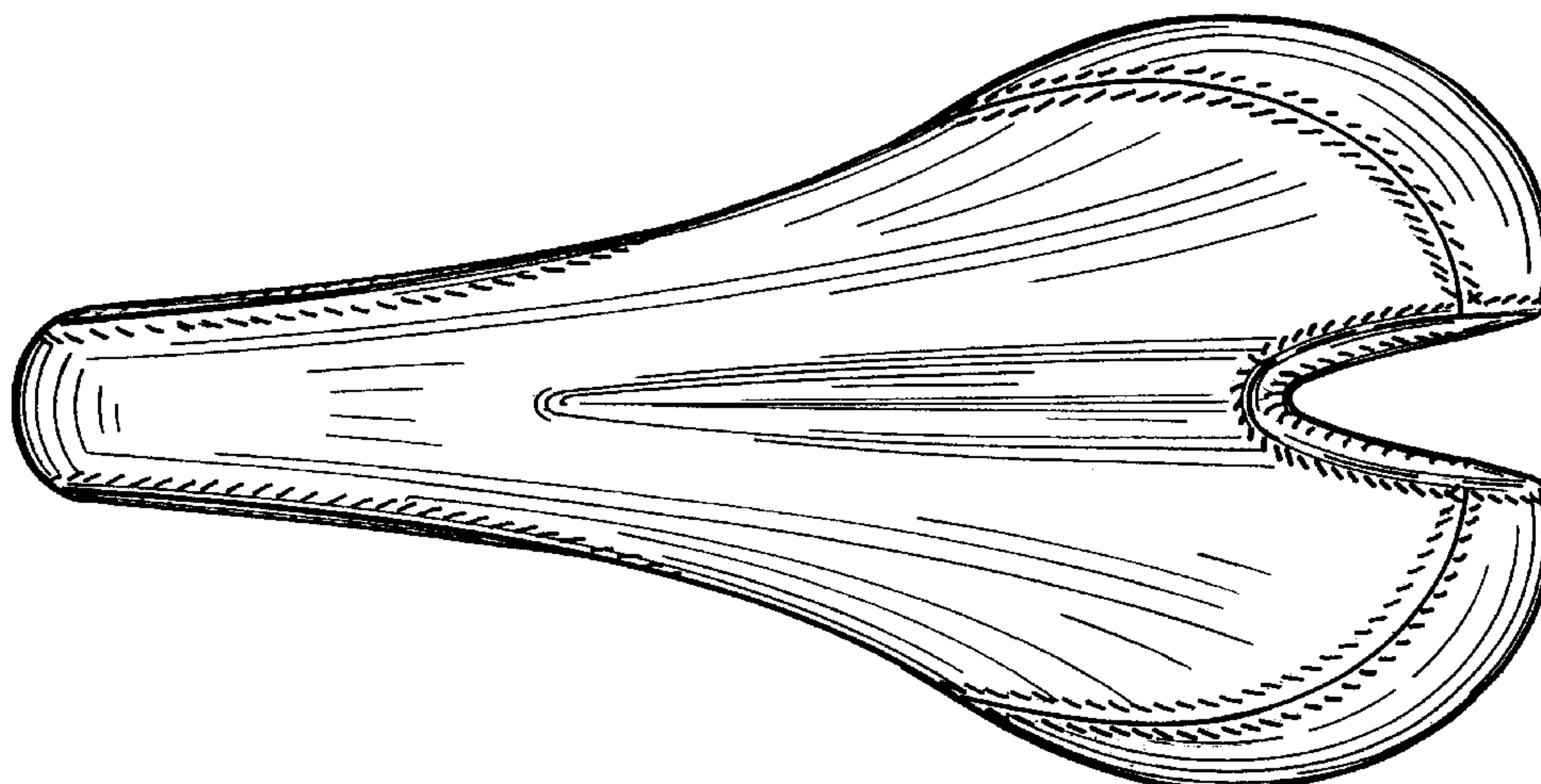
[57] CLAIM

The ornamental design for a bicycle saddle, as shown and described.

DESCRIPTION

FIG. 1 is a top view of a bicycle saddle showing my new design.
FIG. 2 is a bottom view of the bicycle saddle.
FIG. 3 is a side view of the left side of the bicycle saddle, the right side being a mirror image of FIG. 3.
FIG. 4 is a front view of the bicycle saddle; and,
FIG. 5 is a rear view of the bicycle saddle.

1 Claim, 3 Drawing Sheets



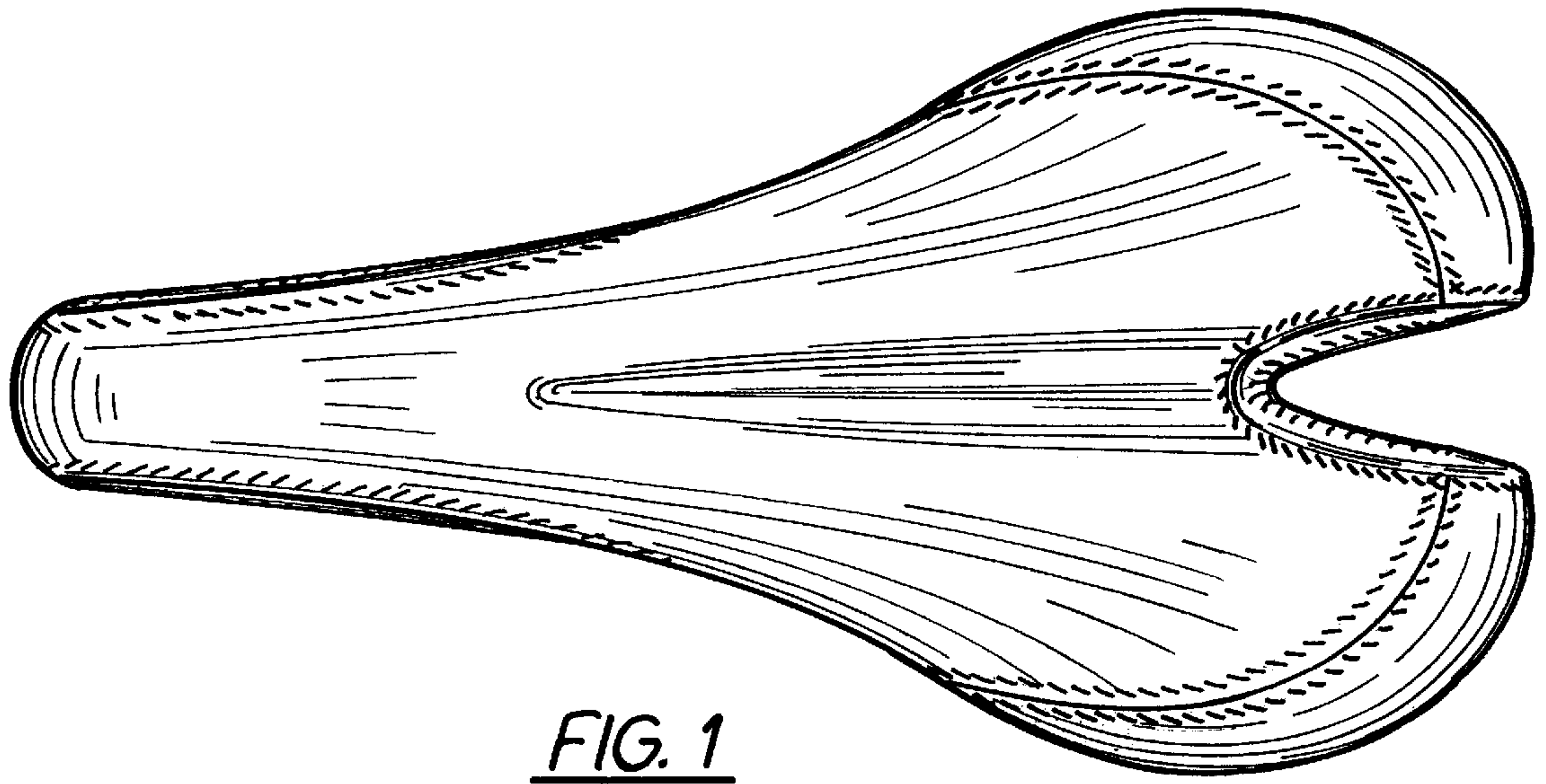


FIG. 1

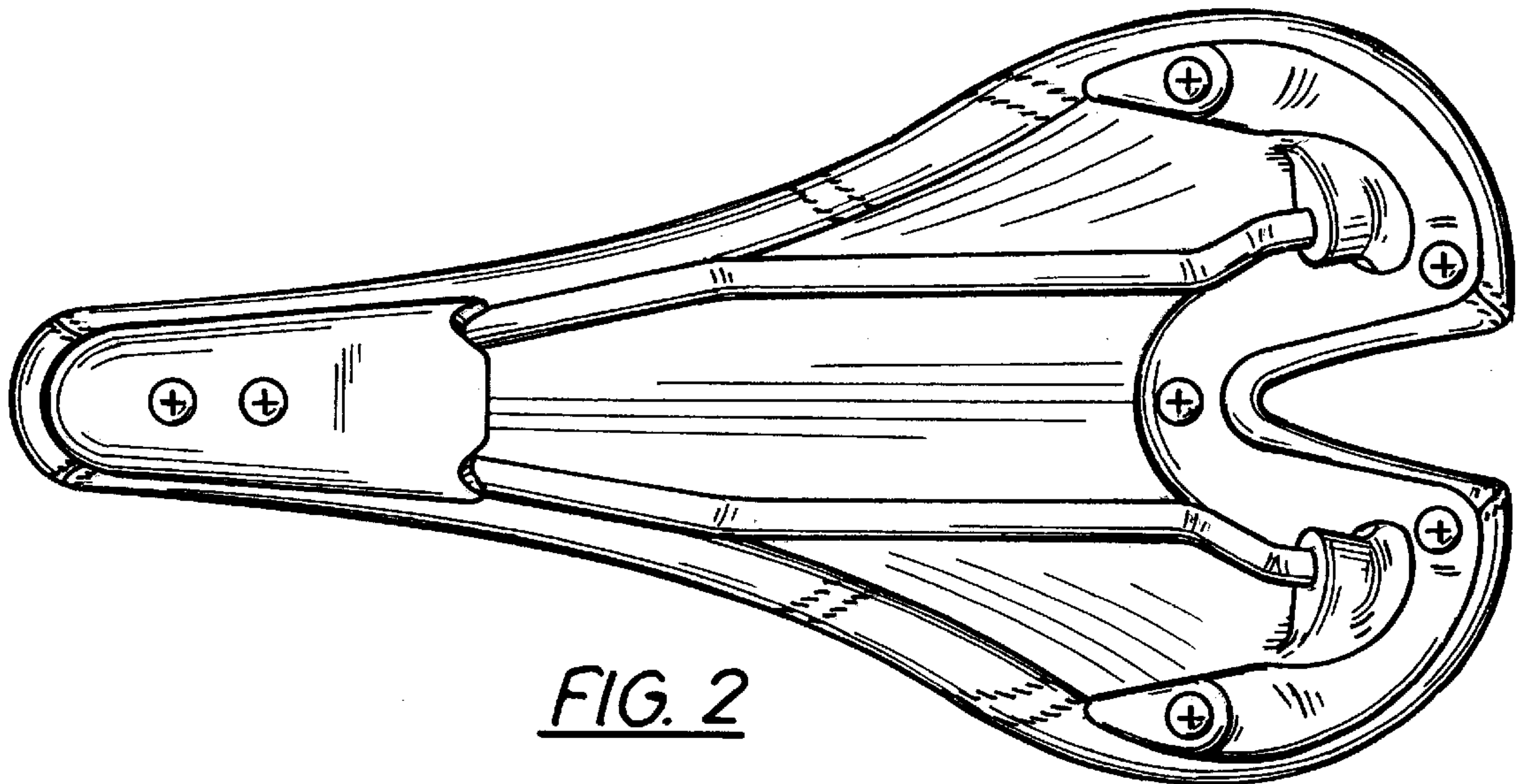


FIG. 2

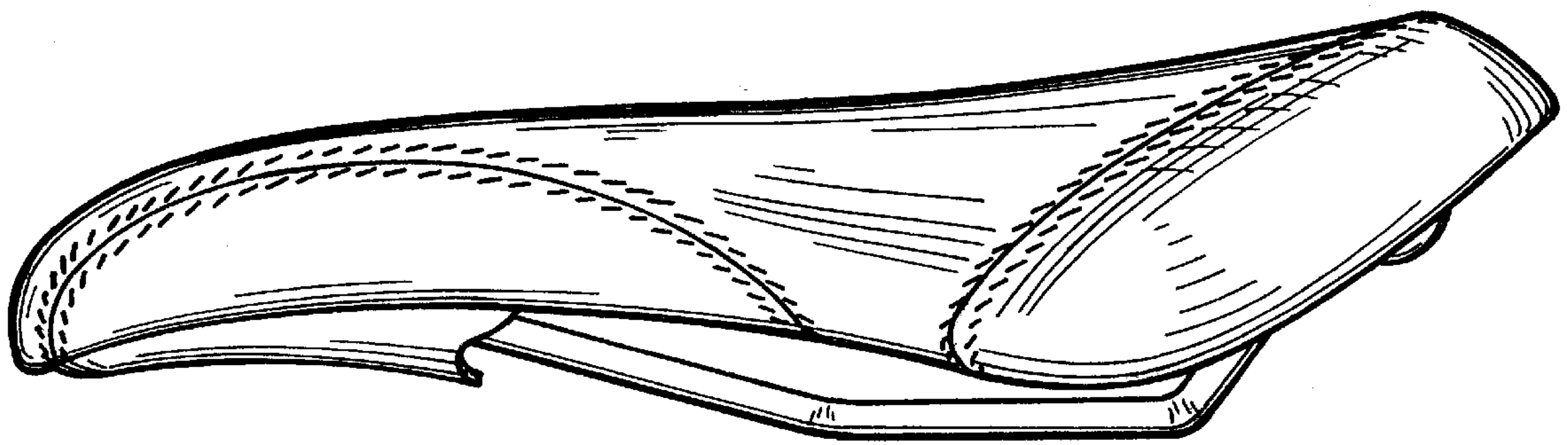


FIG. 3

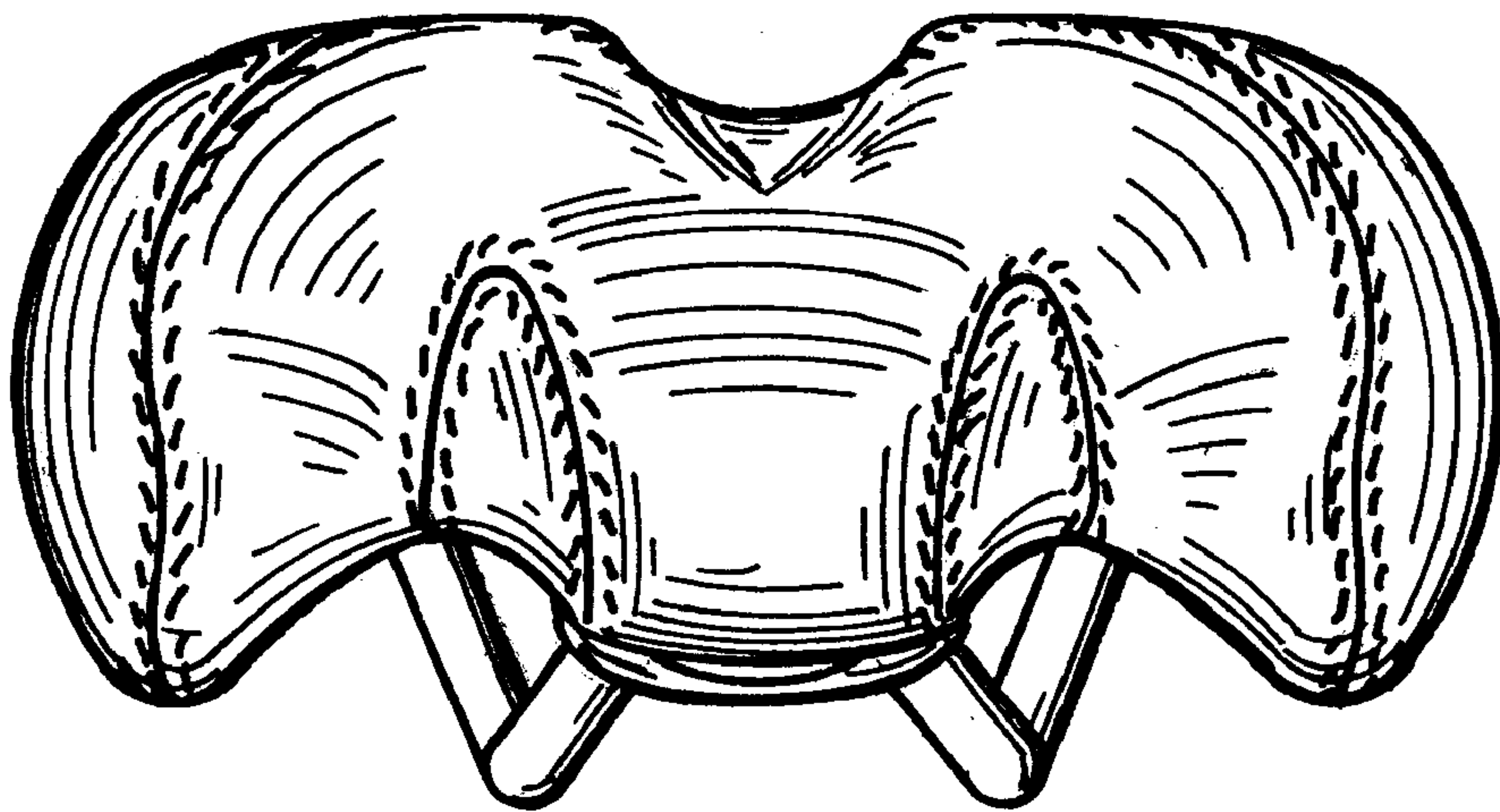


FIG. 4

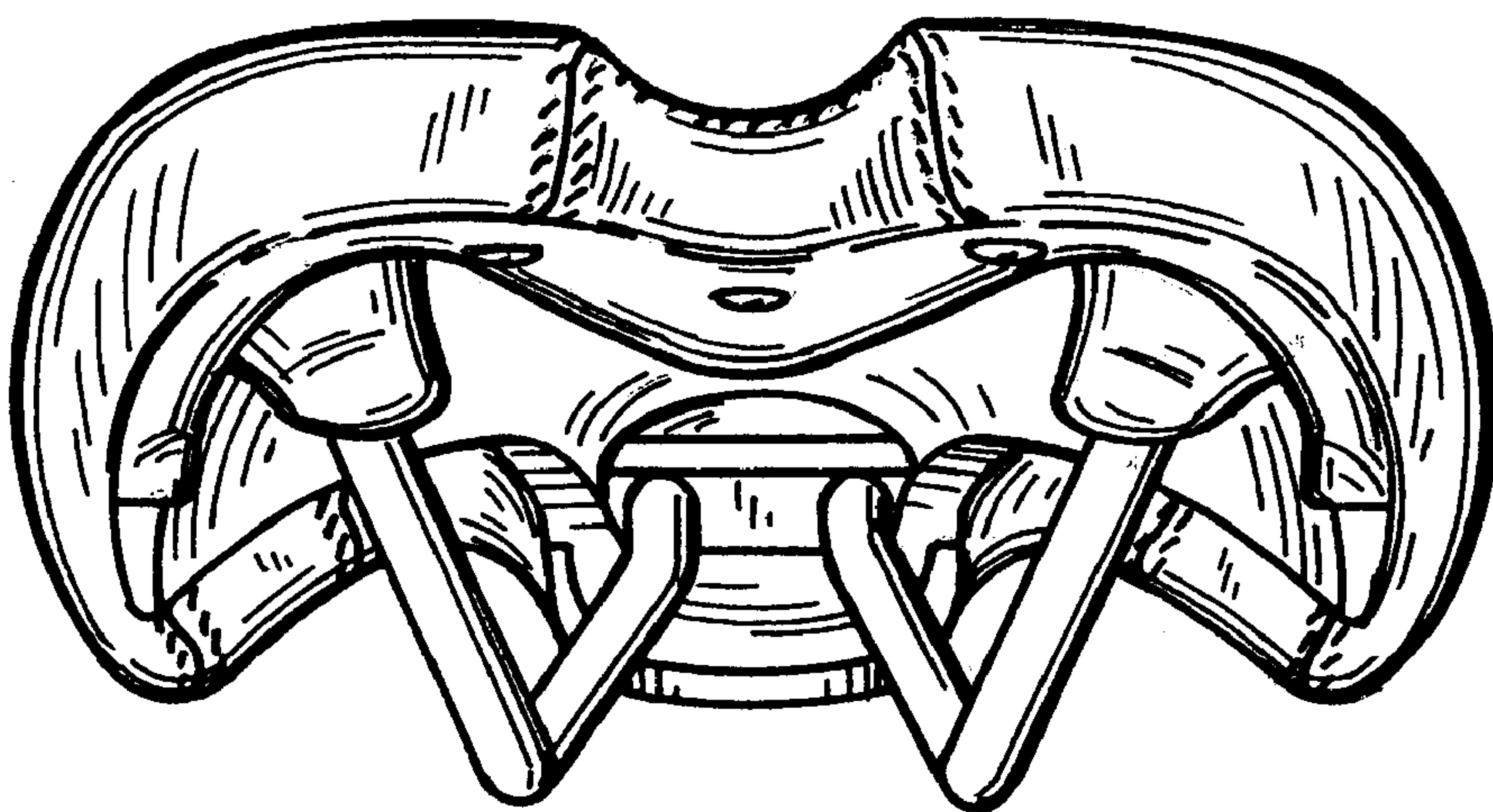


FIG. 5