



US00D431918S

United States Patent [19] Tseng

[11] **Patent Number: Des. 431,918**

[45] **Date of Patent: ** Oct. 17, 2000**

[54] **COMBINED BENCH AND TABLE**

[75] Inventor: **Chuen-Jong Tseng**, Chiayi Hsien, Taiwan

[73] Assignee: **Shin Yen Enterprise Co., Ltd.**, Chiayi Hsien, Taiwan

[**] Term: **14 Years**

[21] Appl. No.: **29/112,102**

[22] Filed: **Oct. 8, 1999**

[51] **LOC (7) Cl.** **06-01**

[52] **U.S. Cl.** **D6/337**

[58] **Field of Search** D6/334, 337, 370, D6/500, 501, 502; 297/157.1, 158.1, 158.5

[56] **References Cited**

U.S. PATENT DOCUMENTS

D. 178,535	8/1956	Oglesby	D6/337
D. 232,673	9/1974	Taylor	D6/337
D. 314,298	2/1991	Pomeroy et al.	D6/337
D. 323,947	2/1992	Pomeroy et al.	D6/337

2,568,622	9/1951	Hagan	D6/337
2,722,971	11/1955	Gallagher et al.	D6/337
2,746,525	5/1956	Cooper	297/185.5
2,805,708	9/1957	Bohn	297/158.5
2,917,108	12/1959	Moritz	D6/337
3,414,301	12/1968	Crowe	D6/337

Primary Examiner—Doris V. Coles
Assistant Examiner—Mimosa De
Attorney, Agent, or Firm—Ladas & Parry

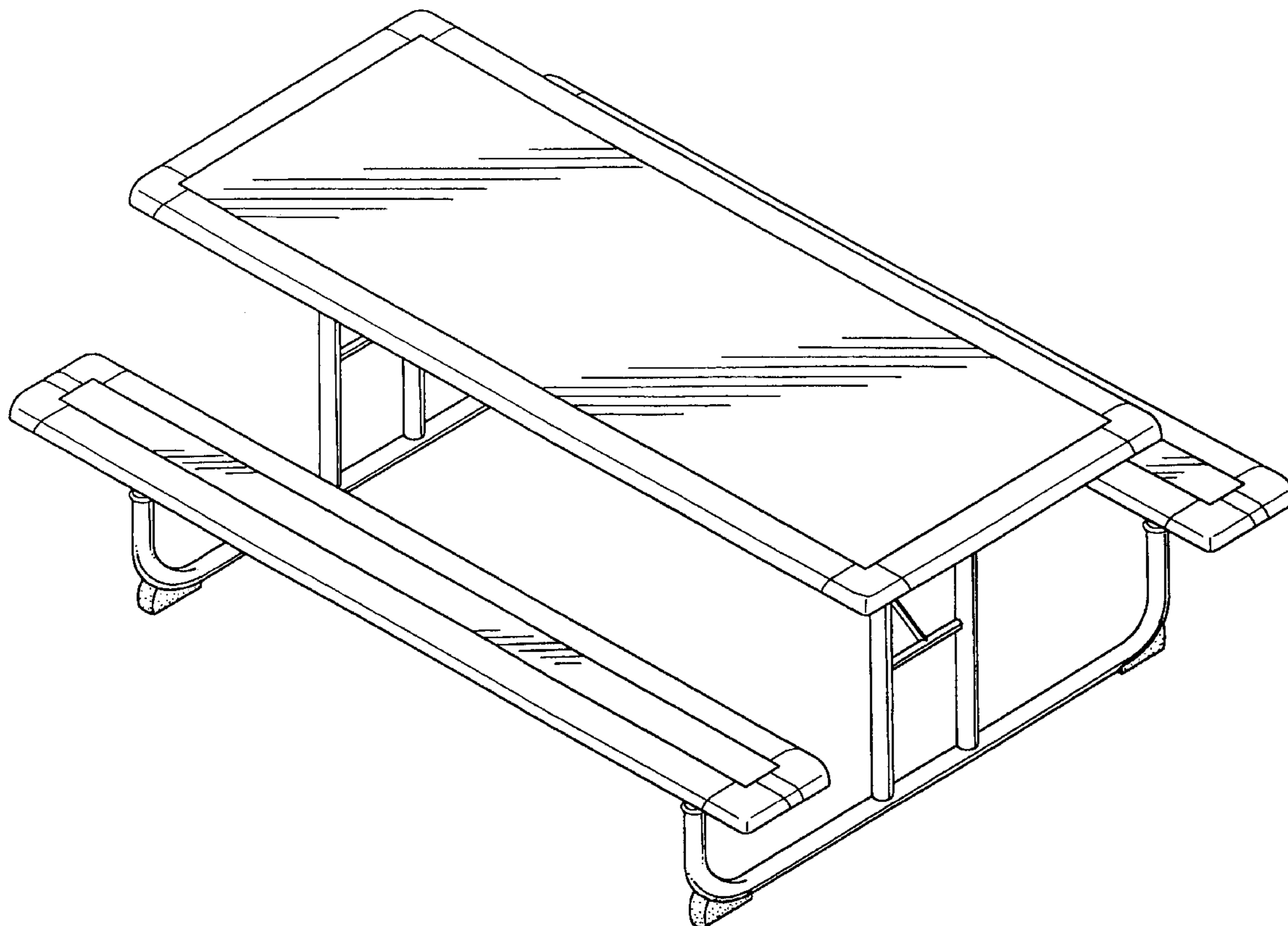
[57] **CLAIM**

The ornamental design for combined bench and table, as shown and described.

DESCRIPTION

FIG. 1 is a perspective view of combined bench and table showing my new design;
FIG. 2 is a front elevational view thereof;
FIG. 3 is a rear elevational view thereof;
FIG. 4 is a left side elevational view thereof;
FIG. 5 is a right side elevational view thereof; and,
FIG. 6 is a top plan view thereof.

1 Claim, 6 Drawing Sheets



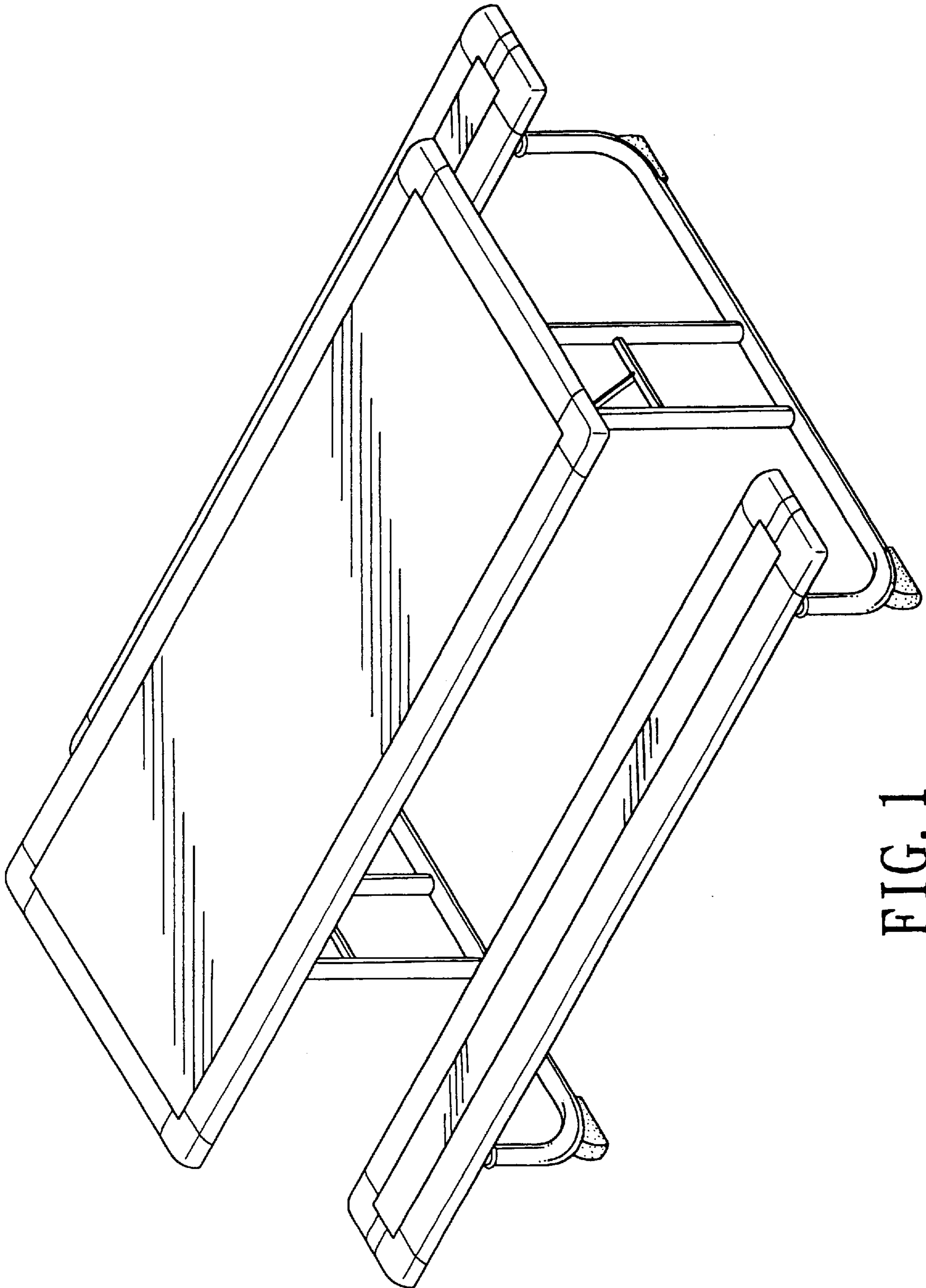


FIG. 1

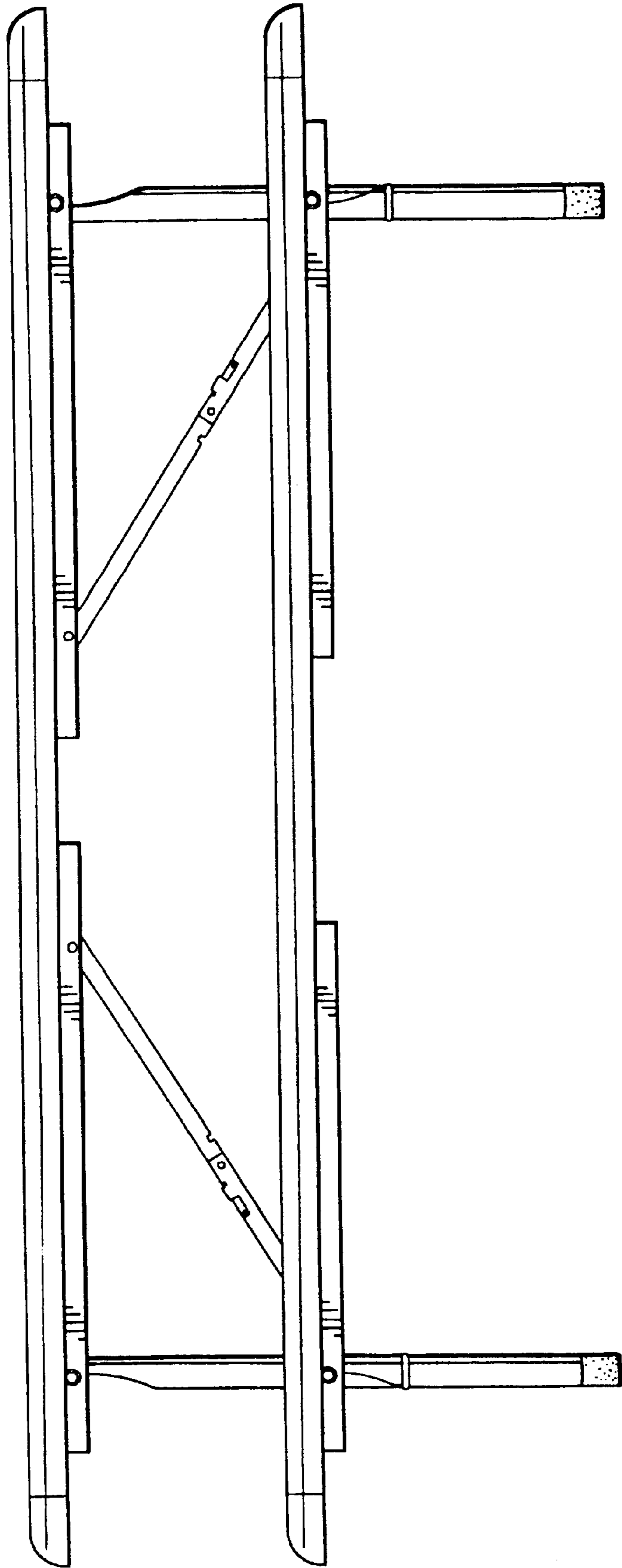


FIG. 2

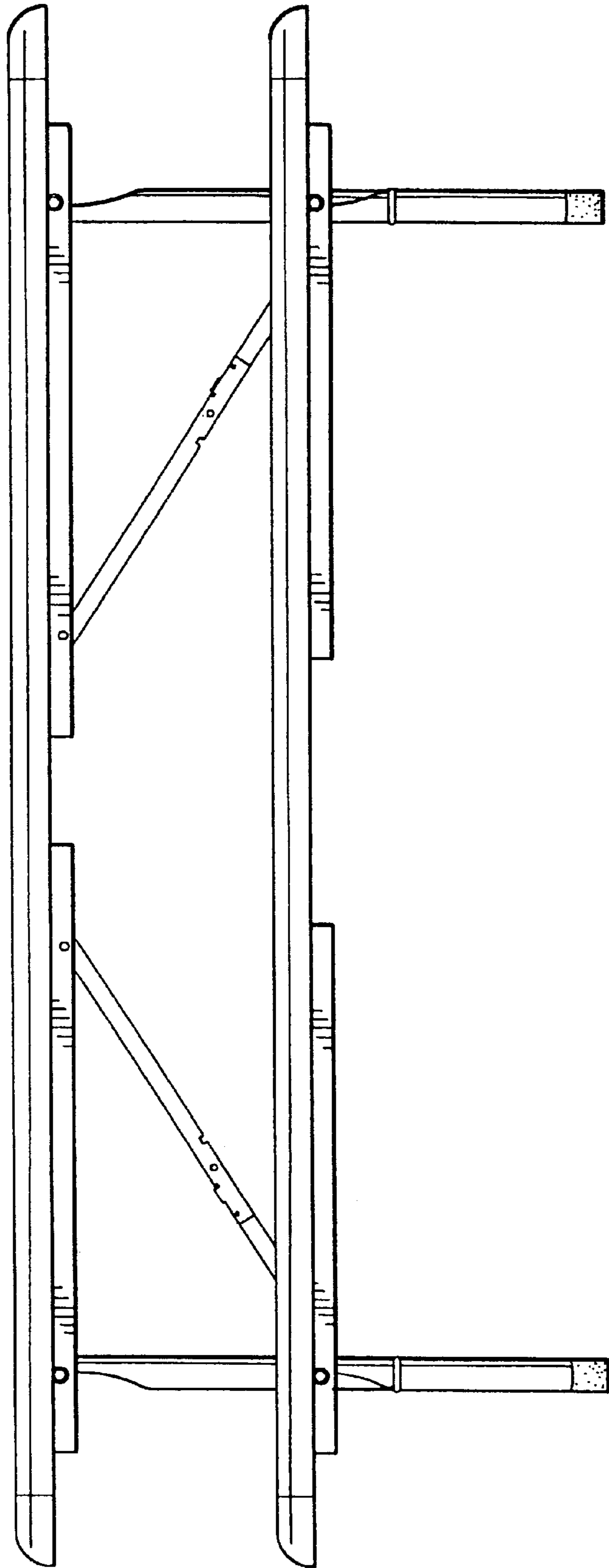


FIG. 3

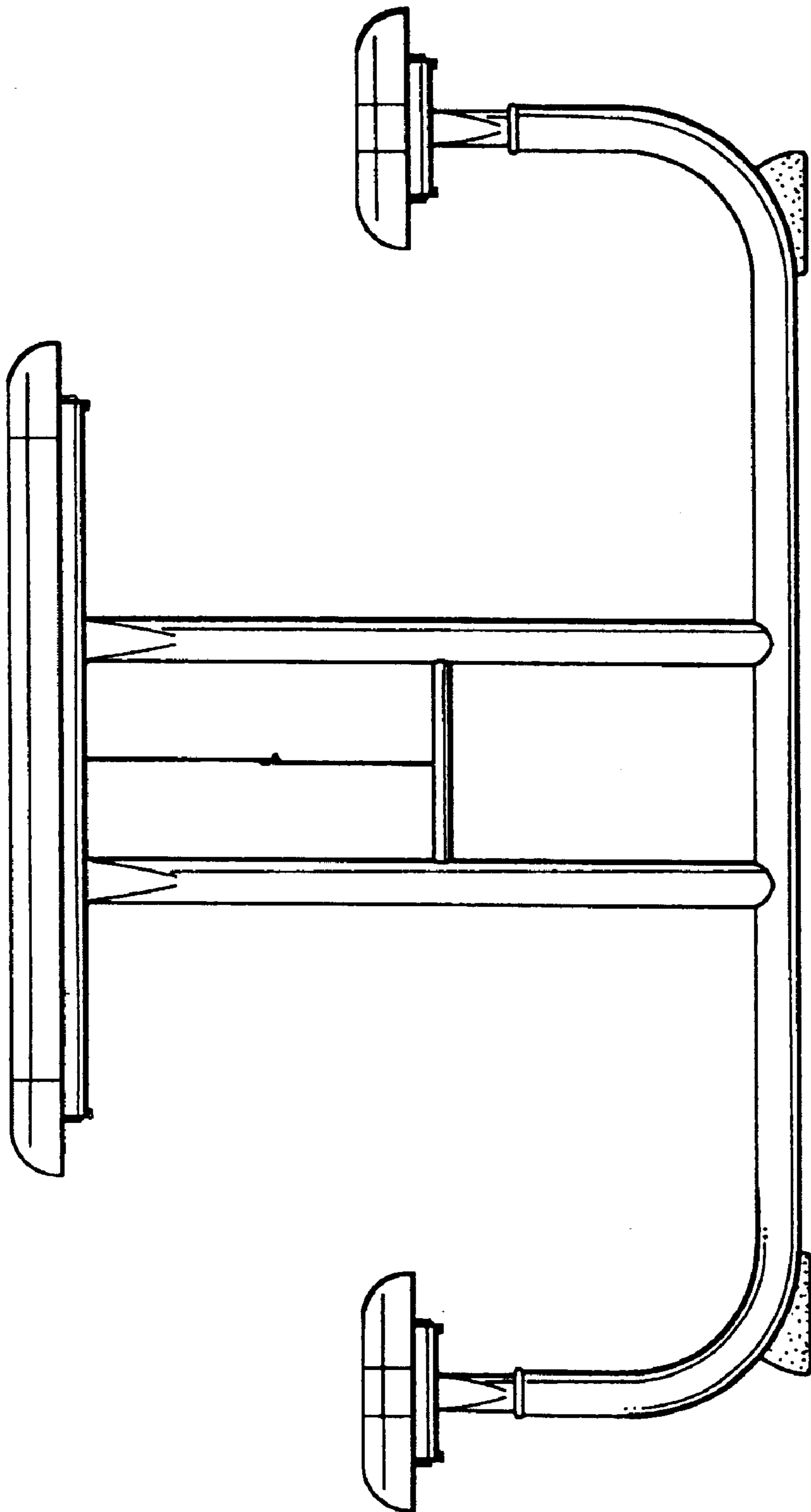


FIG. 4

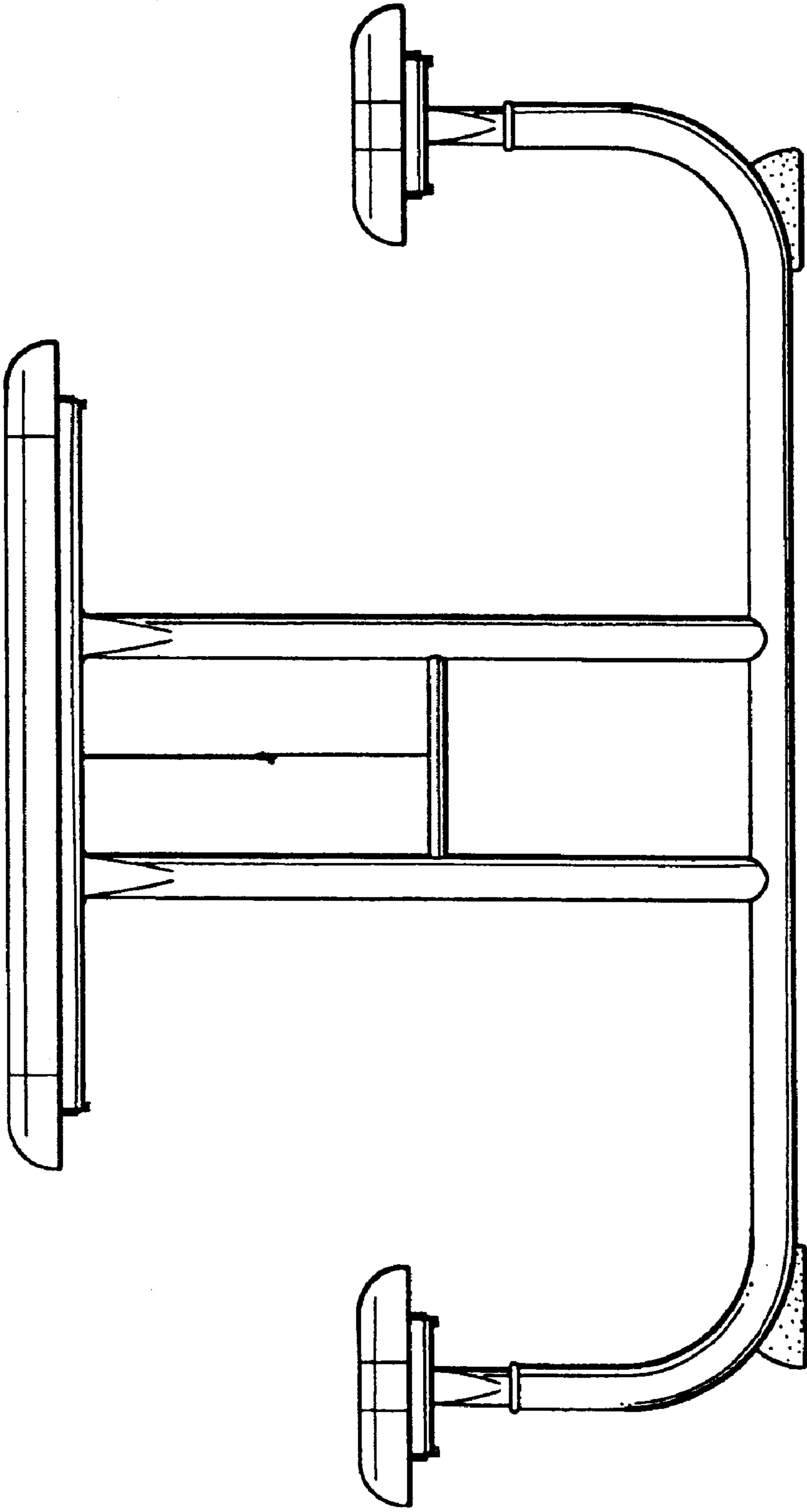


FIG. 5

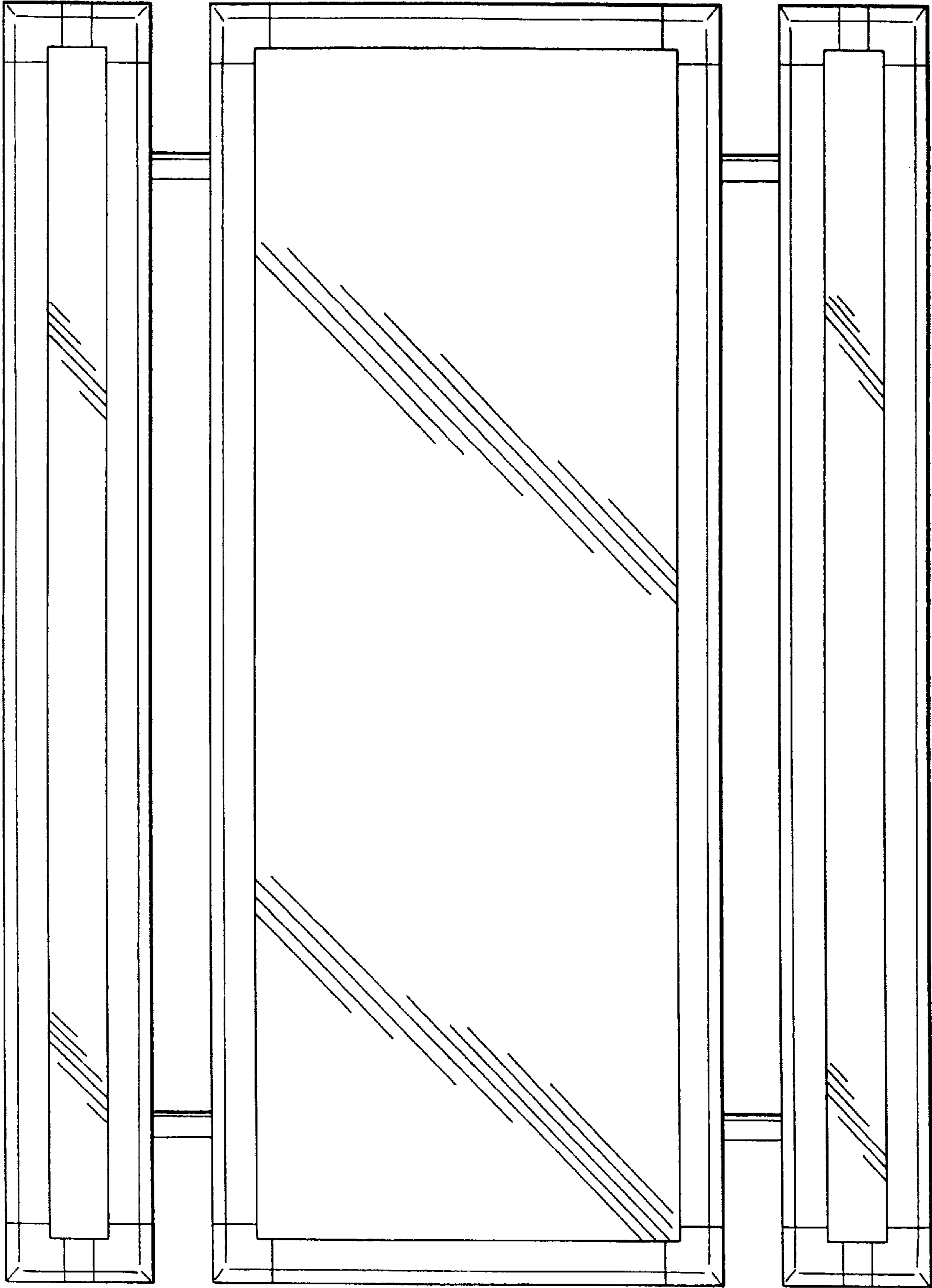


FIG. 6