



US00D431912S

United States Patent [19]

[11] **Patent Number: Des. 431,912**

Bailey

[45] **Date of Patent: ** Oct. 17, 2000**

[54] **COAT RACK**

[76] Inventor: **Arthur Dale Bailey**, 128-22106 South Cooking Lake Road, South Cooking Lake, Sherwood Park, Alberta, Canada, T8E 1J1

[**] Term: **14 Years**

[21] Appl. No.: **29/111,892**

[22] Filed: **Oct. 5, 1999**

[30] **Foreign Application Priority Data**

Apr. 8, 1999 [CA] Canada 1999-0842

[51] **LOC (7) Cl.** **06-08**

[52] **U.S. Cl.** **D6/323**

[58] **Field of Search** D6/320, 323, 324, D6/411, 415, 546, 548, 553, 569, 570; D8/367, 373; 211/30, 32, 87.01, 96, 97, 98, 102, 103; 248/301, 304, 309.1

[56] **References Cited**

U.S. PATENT DOCUMENTS

D. 297,412 8/1988 Allen D6/570 X
D. 304,655 11/1989 Pool D8/373 X

D. 305,431 1/1990 Adams D8/367
D. 320,119 9/1991 Chap et al. D6/323
D. 353,492 12/1994 Goodman et al. D6/323
D. 374,602 10/1996 Protz, Jr. D8/373 X
D. 390,013 2/1998 Ho D6/323

Primary Examiner—Cathron B. Matta
Attorney, Agent, or Firm—Christensen O'Connor Johnson and Kindness PLLC

[57] **CLAIM**

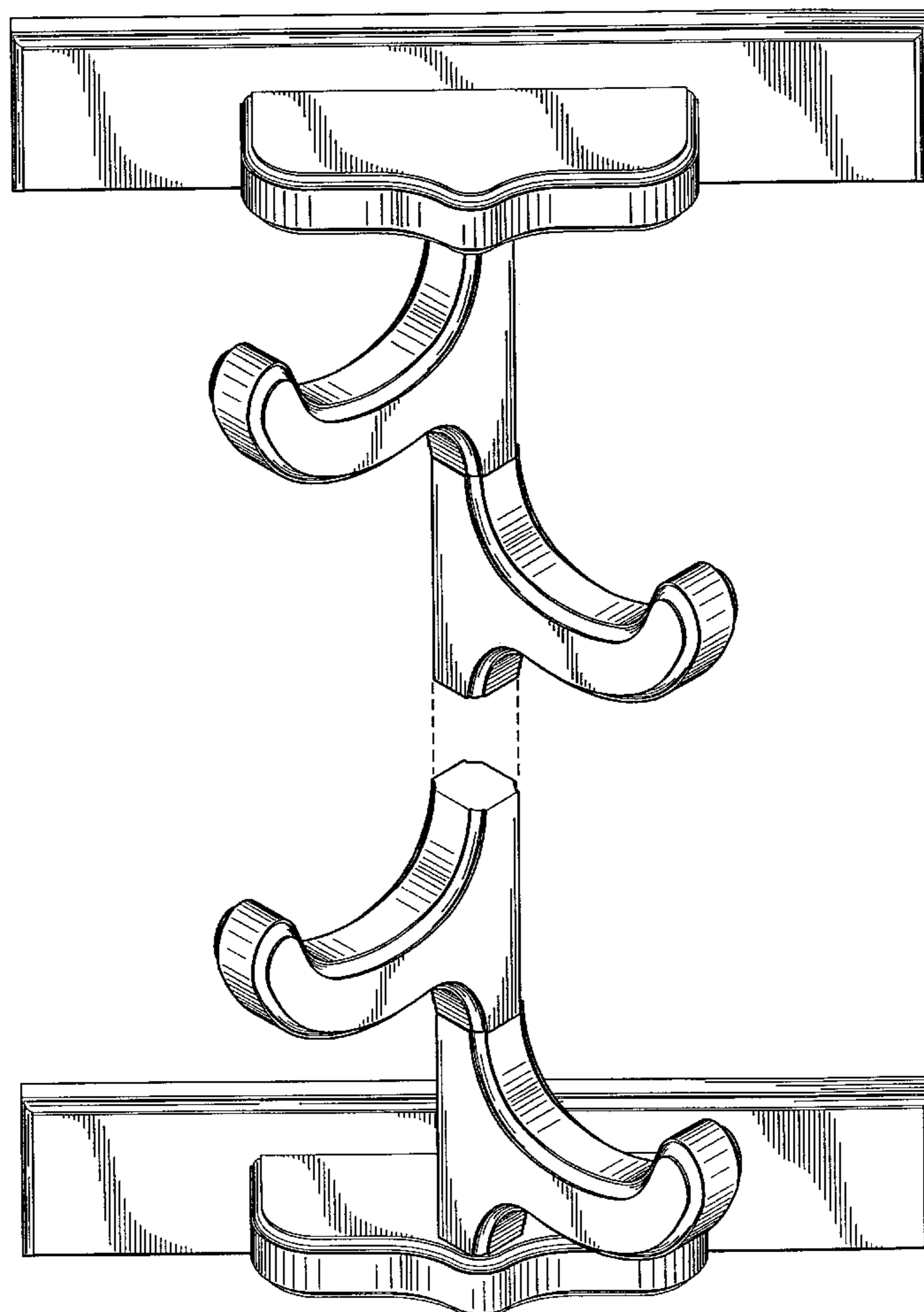
The ornamental design for a coat rack, as shown and described.

DESCRIPTION

FIG. 1 is a perspective view.
FIG. 2 is a front elevation view.
FIG. 3 is a rear elevation view.
FIG. 4 is a right side elevation view.
FIG. 5 is a left side elevation view.
FIG. 6 is a top plan view; and,
FIG. 7 is a bottom plan view.

The broken lines shown at the center of the design indicate indeterminate length and the continuation of the design uniformly along its length.

1 Claim, 6 Drawing Sheets



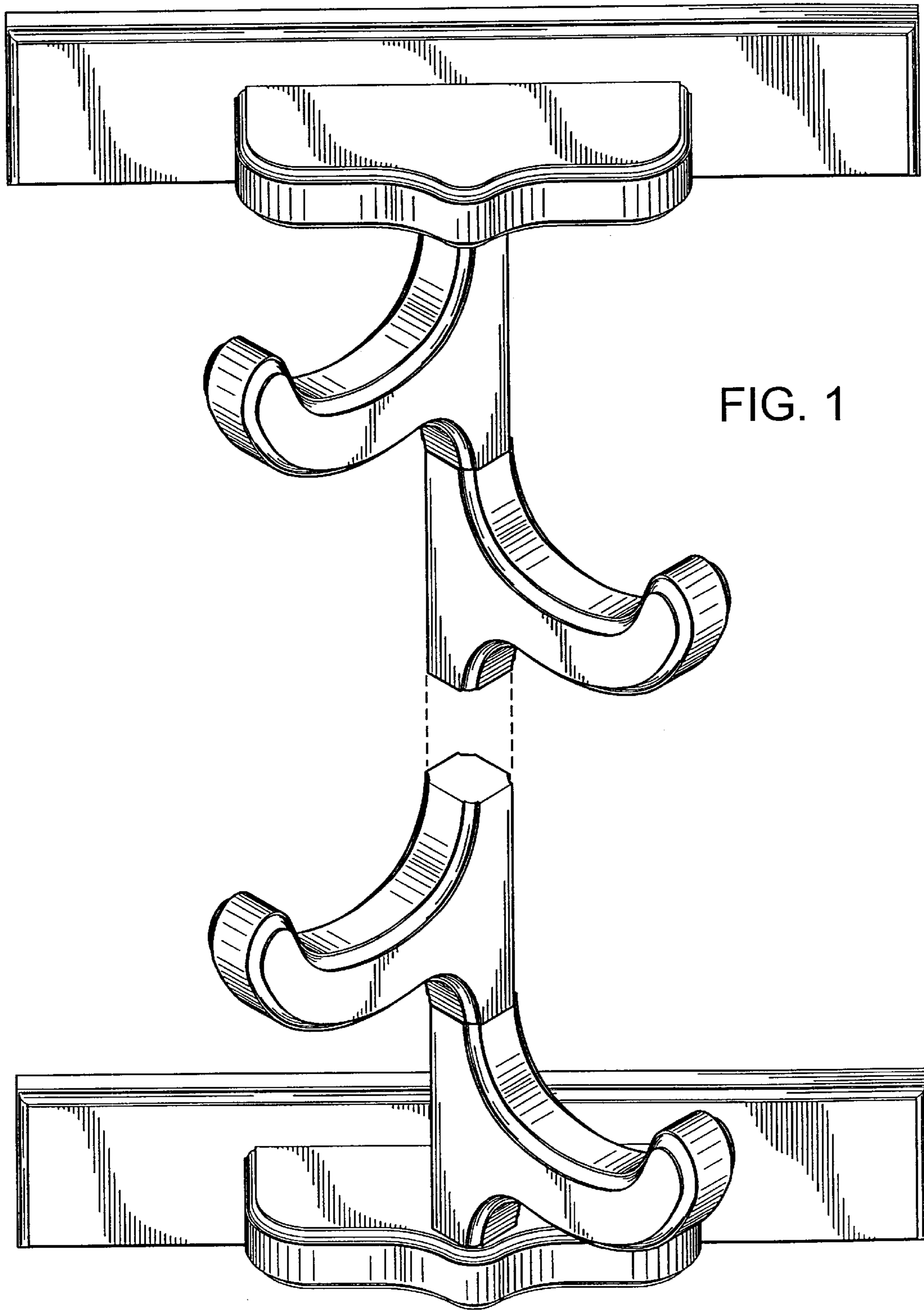


FIG. 1

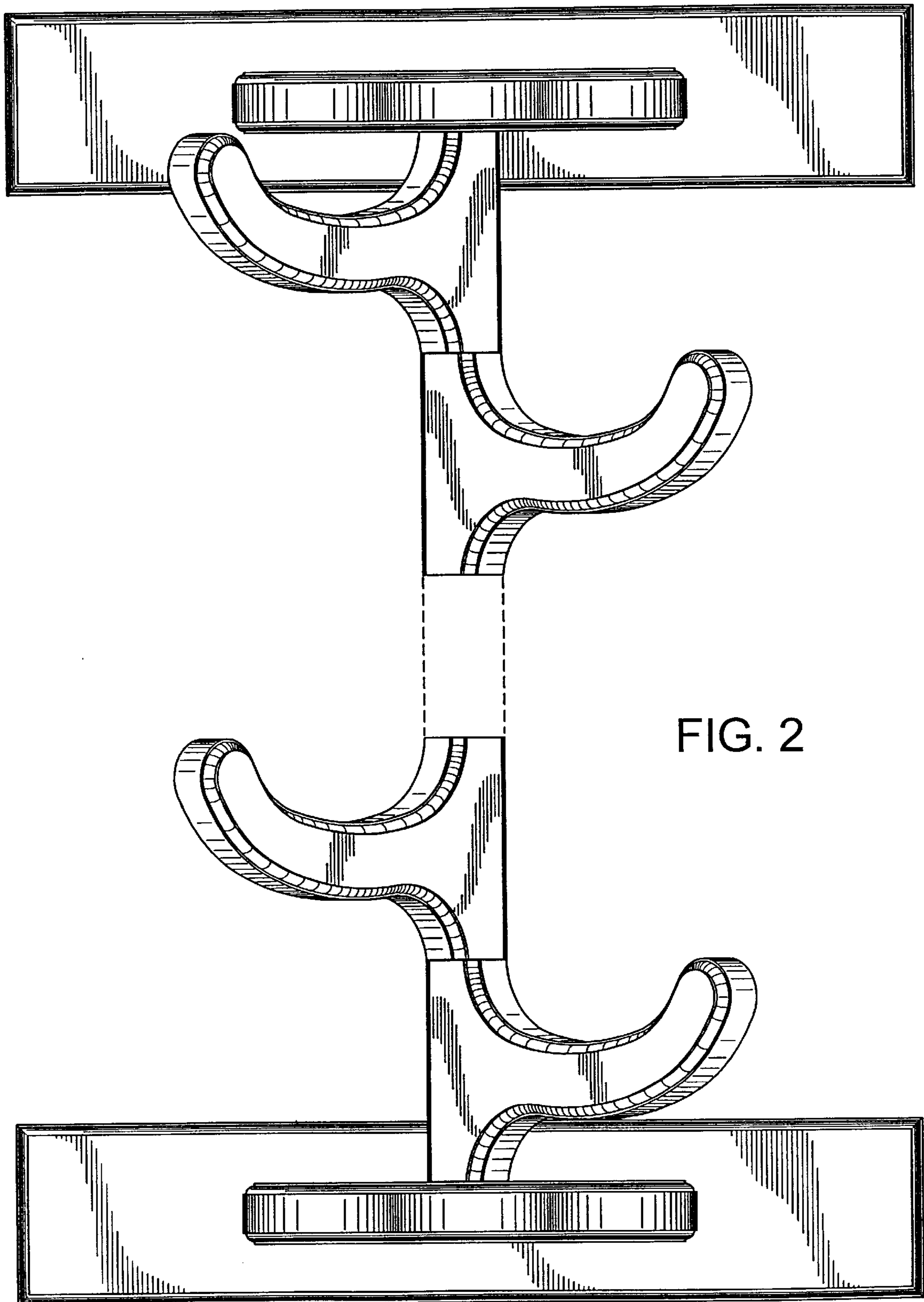


FIG. 2

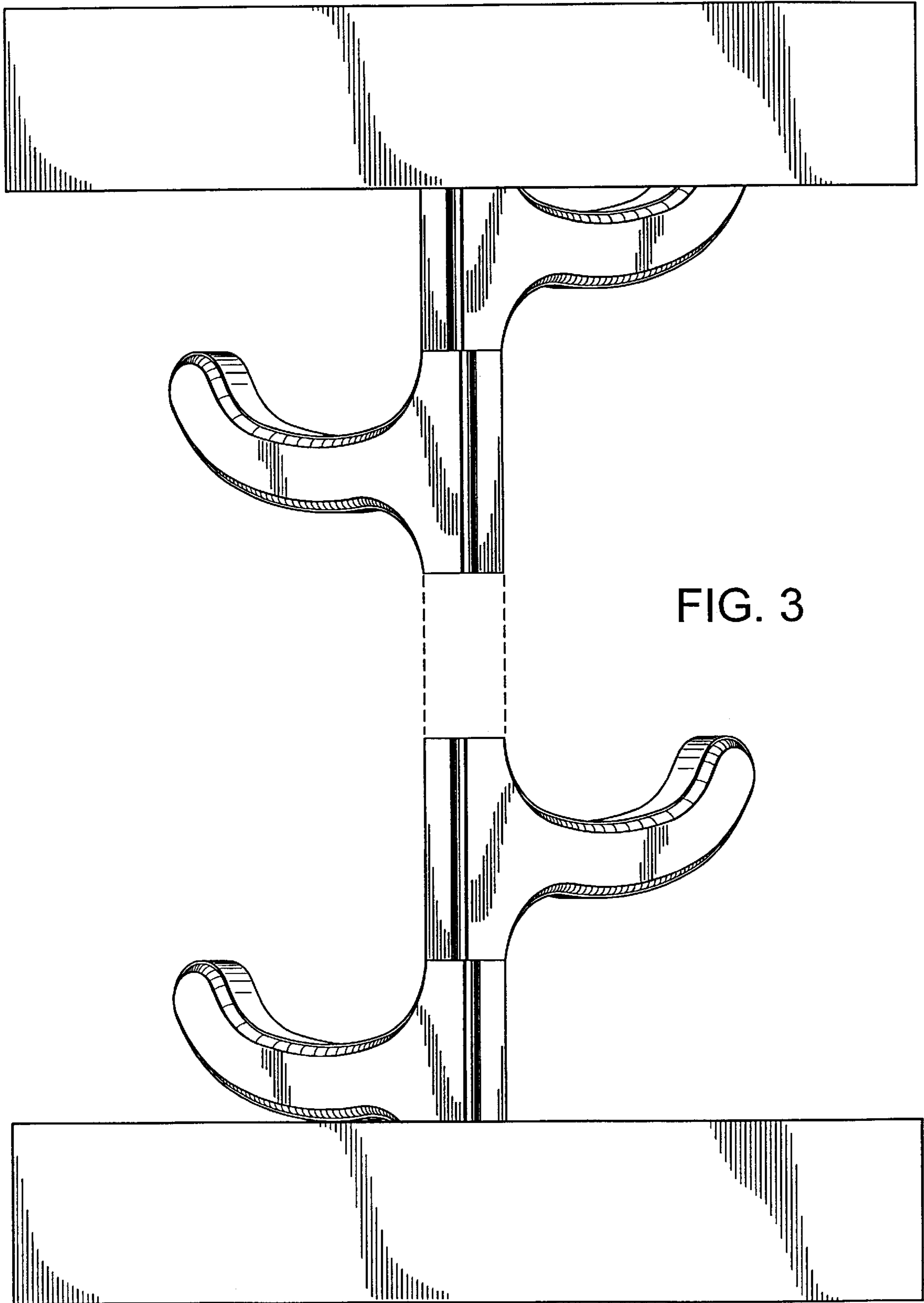


FIG. 3

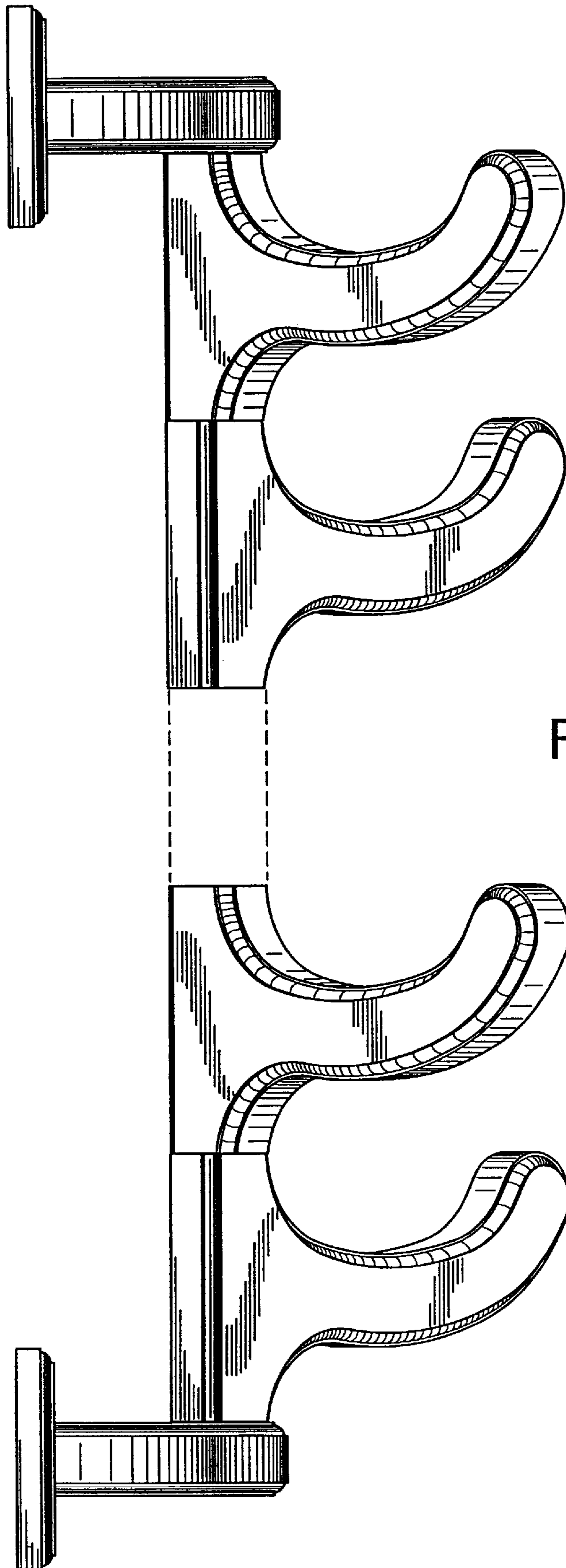


FIG. 4

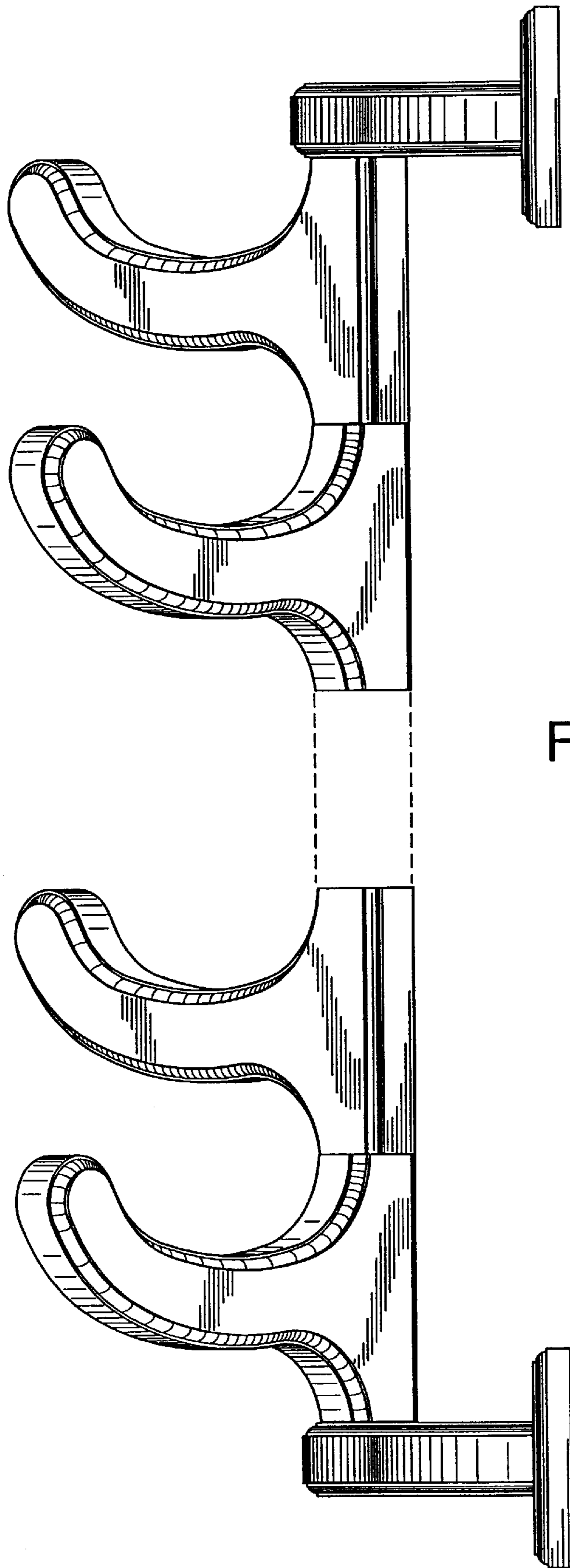


FIG. 5

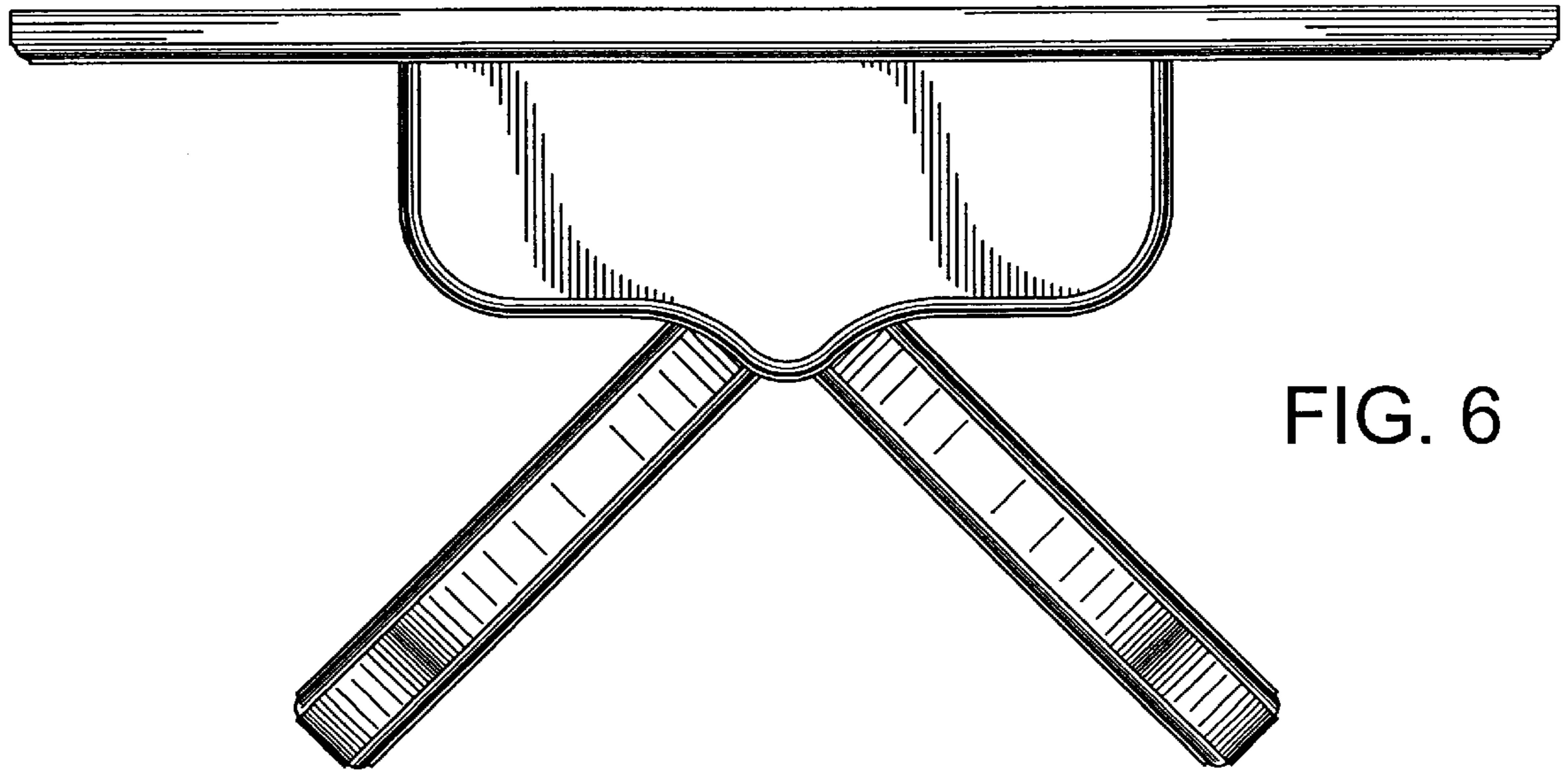


FIG. 6

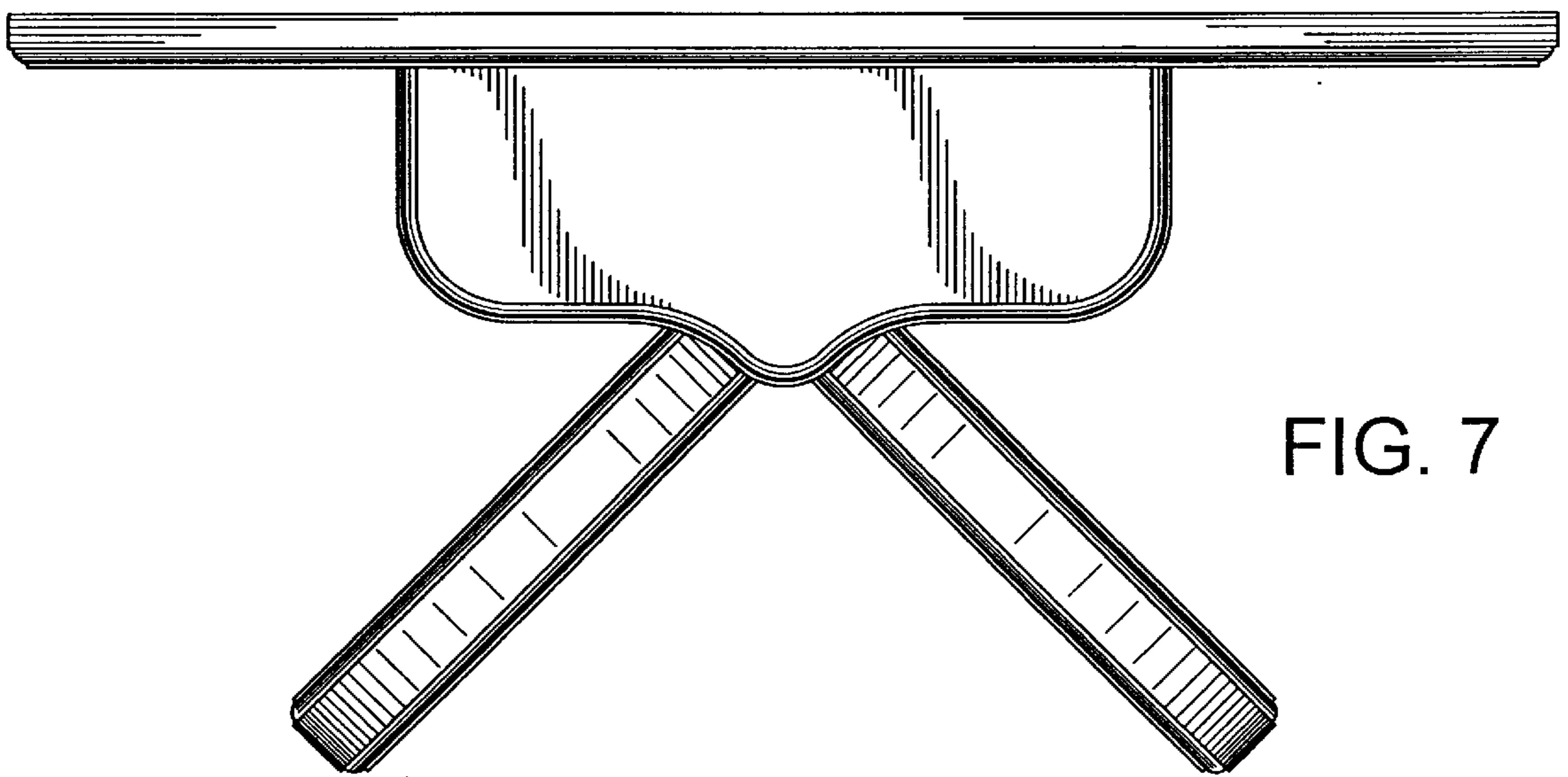


FIG. 7