



US00D431911S

United States Patent [19] Napracone

[11] Patent Number: **Des. 431,911**

[45] Date of Patent: **** Oct. 17, 2000**

[54] PICTURE FRAME

[75] Inventor: **Noppakhun Napracone**, Pradonechai, Thailand

[73] Assignee: **Twoway Intertrade Co., Ltd.**, Bangkok, Thailand

[**] Term: **14 Years**

[21] Appl. No.: **29/111,224**

[22] Filed: **Sep. 24, 1999**

[30] Foreign Application Priority Data

Mar. 26, 1999 [TH] Thailand 049632

[51] LOC (7) Cl. **06-07**

[52] U.S. Cl. **D6/310; D6/313**

[58] Field of Search D6/300-314; 40/700, 40/711, 714, 716, 744, 745, 765, 766, 780, 790

[56] References Cited

U.S. PATENT DOCUMENTS

612,747 10/1898 Mc Caskey 40/744

OTHER PUBLICATIONS

Exposures Fall 1993, p. 17, #J frame at lower right.

Primary Examiner—Janice E. Seeger
Attorney, Agent, or Firm—Birch, Stewart, Kolasch & Birch, LLP.

[57] CLAIM

The ornamental design for a picture frame, as shown and described.

DESCRIPTION

FIG. 1 is a front, right perspective view of a picture frame showing my new design;

FIG. 2 is a front elevational view thereof;

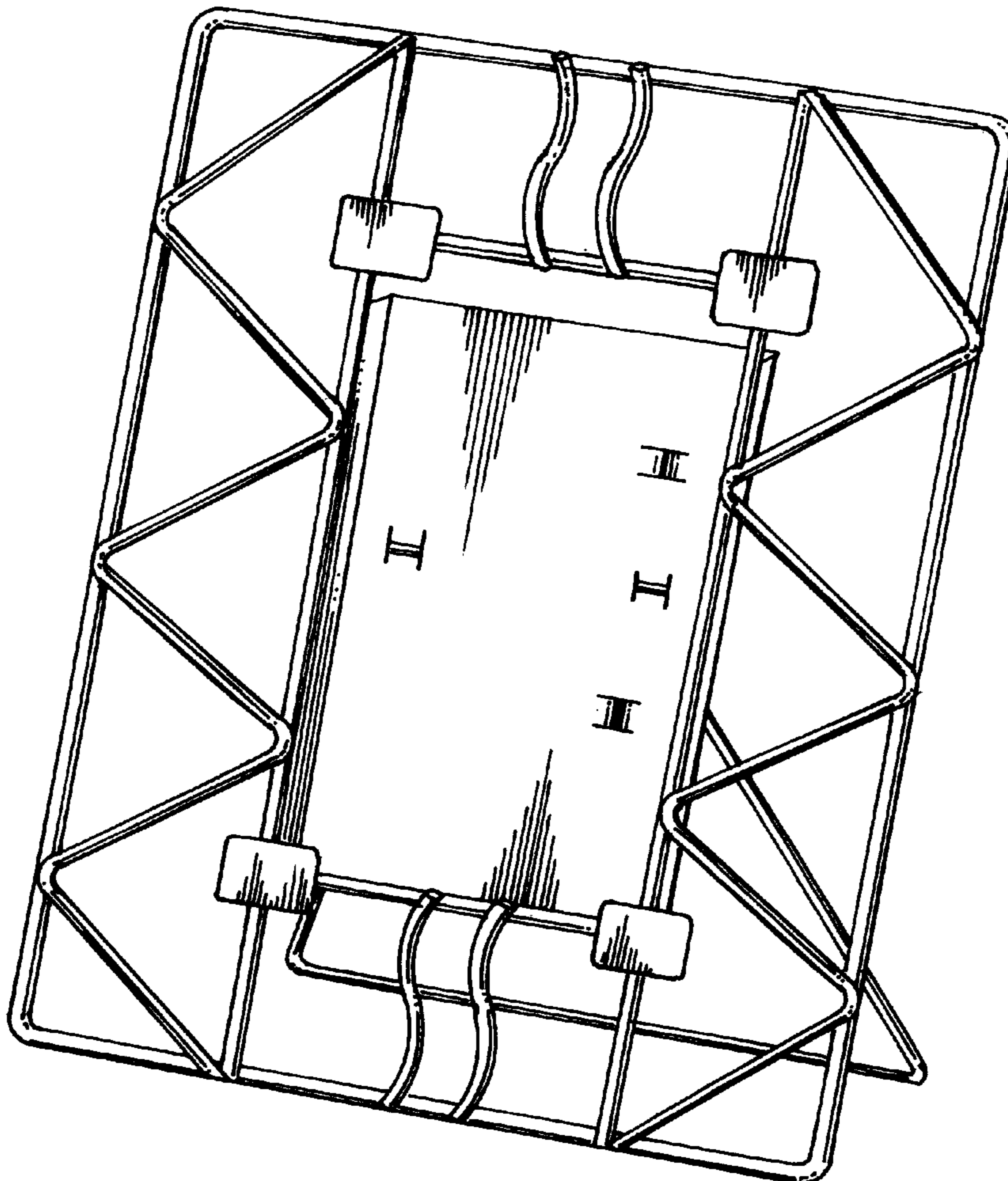
FIG. 3 is a rear elevational view thereof;

FIG. 4 is a top plan view thereof;

FIG. 5 a right side elevational view thereof, the left side elevational view being a mirror image thereof; and,

FIG. 6 is a bottom plan view thereof.

1 Claim, 2 Drawing Sheets



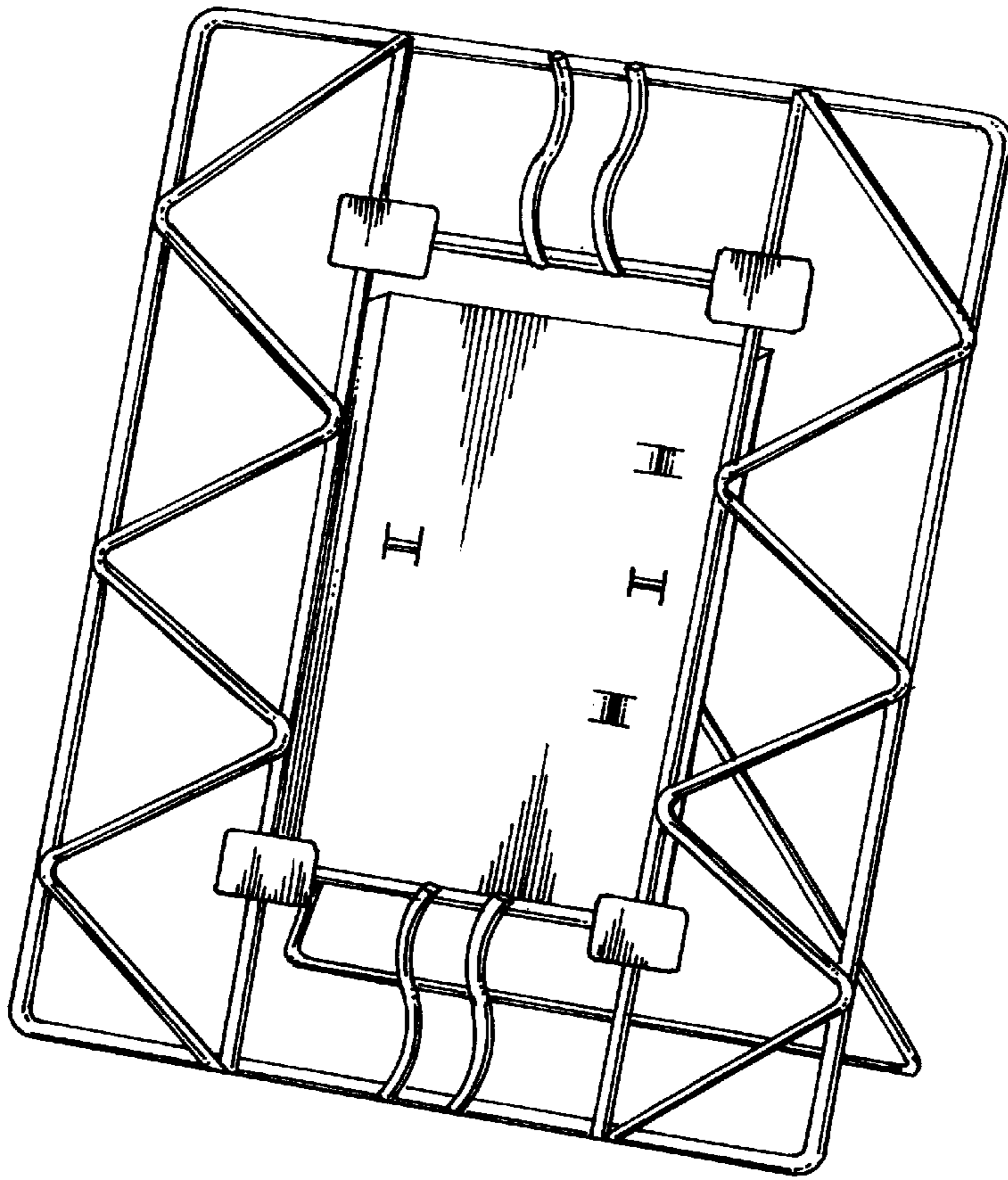


FIG. 1

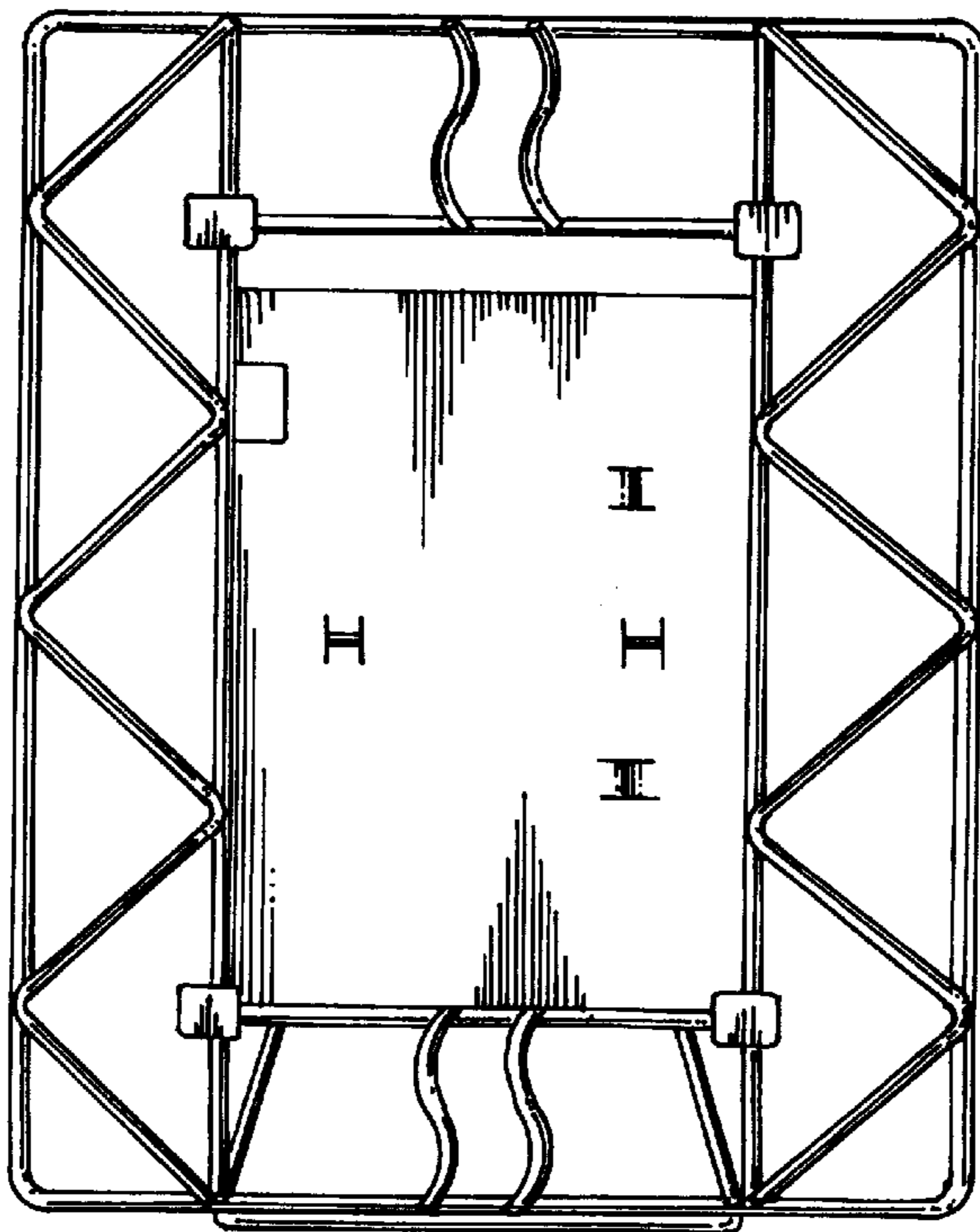


Fig. 2

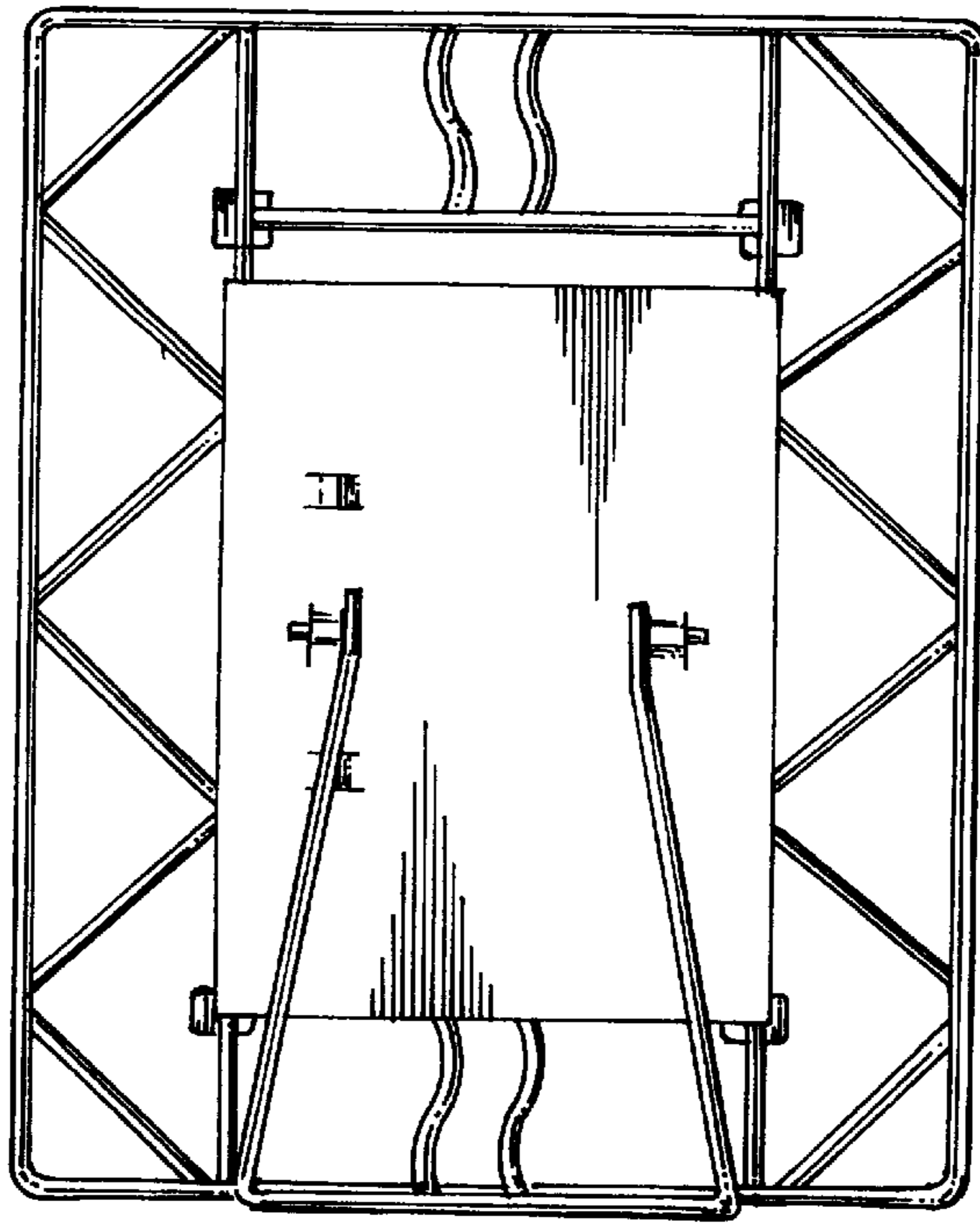


FIG. 3



FIG. 5

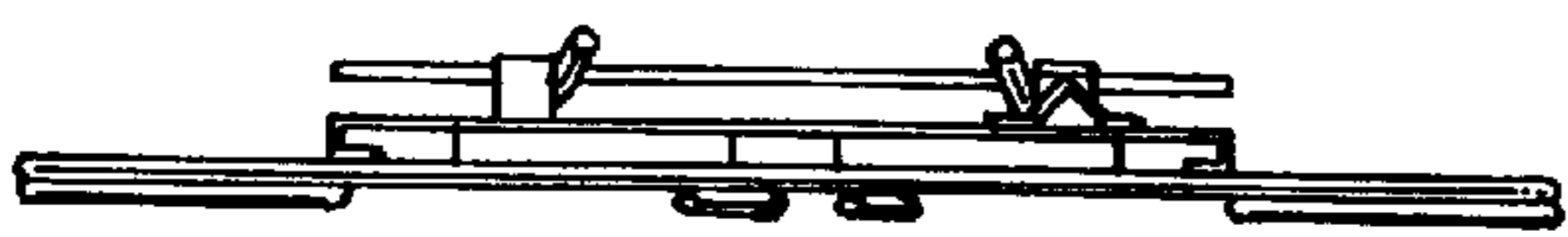


FIG. 4



FIG. 6