



US00D431910S

United States Patent [19] Glass

[11] **Patent Number: Des. 431,910**

[45] **Date of Patent: ** Oct. 17, 2000**

[54] **EASEL**

[75] **Inventor: Peter Glass, Napa, Calif.**

[73] **Assignee: Virco Mfg. Corporation, Torrance, Calif.**

[**] **Term: 14 Years**

[21] **Appl. No.: 29/100,591**

[22] **Filed: Feb. 11, 1999**

[51] **LOC (7) Cl. 06-07**

[52] **U.S. Cl. D6/310; D6/312**

[58] **Field of Search** D6/300-304, 308-314;
D20/10, 40; 40/700, 745, 765, 779, 780,
790, 798; 248/441.1, 445, 448, 454, 455,
460, 462, 463, 464, 465

[56] **References Cited**

U.S. PATENT DOCUMENTS

D. 351,863 10/1994 Sarkisian et al. D20/41

D. 401,279 11/1998 Thorp et al. D19/52
D. 404,208 1/1999 Beno D6/312
2,027,790 1/1936 Schneider 40/779

Primary Examiner—Janice E. Seeger
Attorney, Agent, or Firm—James E. Brunton, Esq.

[57] **CLAIM**

The ornamental design for an “easel”, as shown.

DESCRIPTION

FIG. 1 is a generally perspective view of an easel showing my new design;

FIG. 2 is a front view thereof;

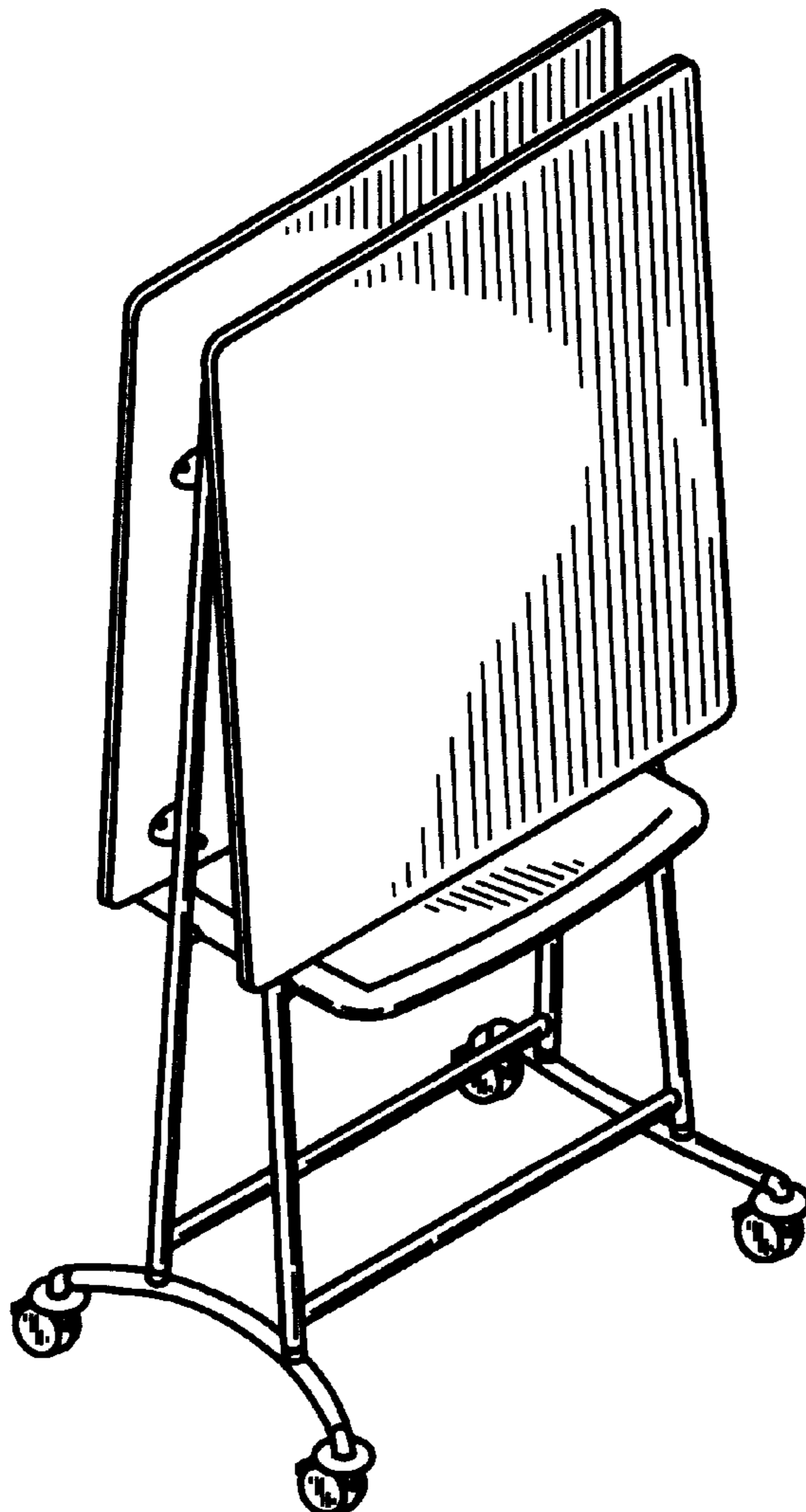
FIG. 3 is a side elevational view thereof;

FIG. 4 is a top view thereof; and,

FIG. 5 is a bottom view thereof.

The rear view, now shown, is identical to the front shown in FIG. 2. The side not shown is identical to the side shown in FIG. 3.

1 Claim, 2 Drawing Sheets



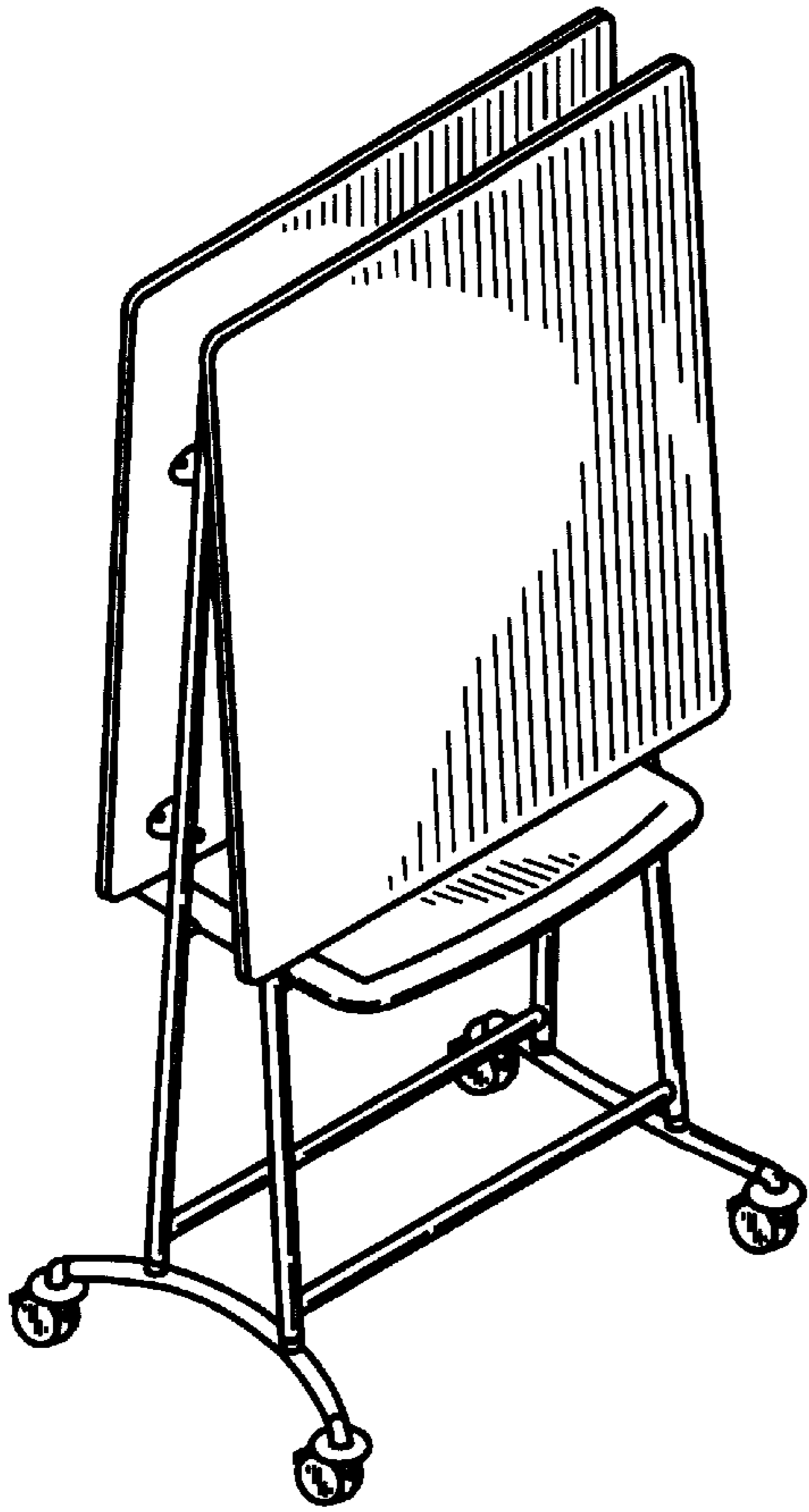


Figure 1

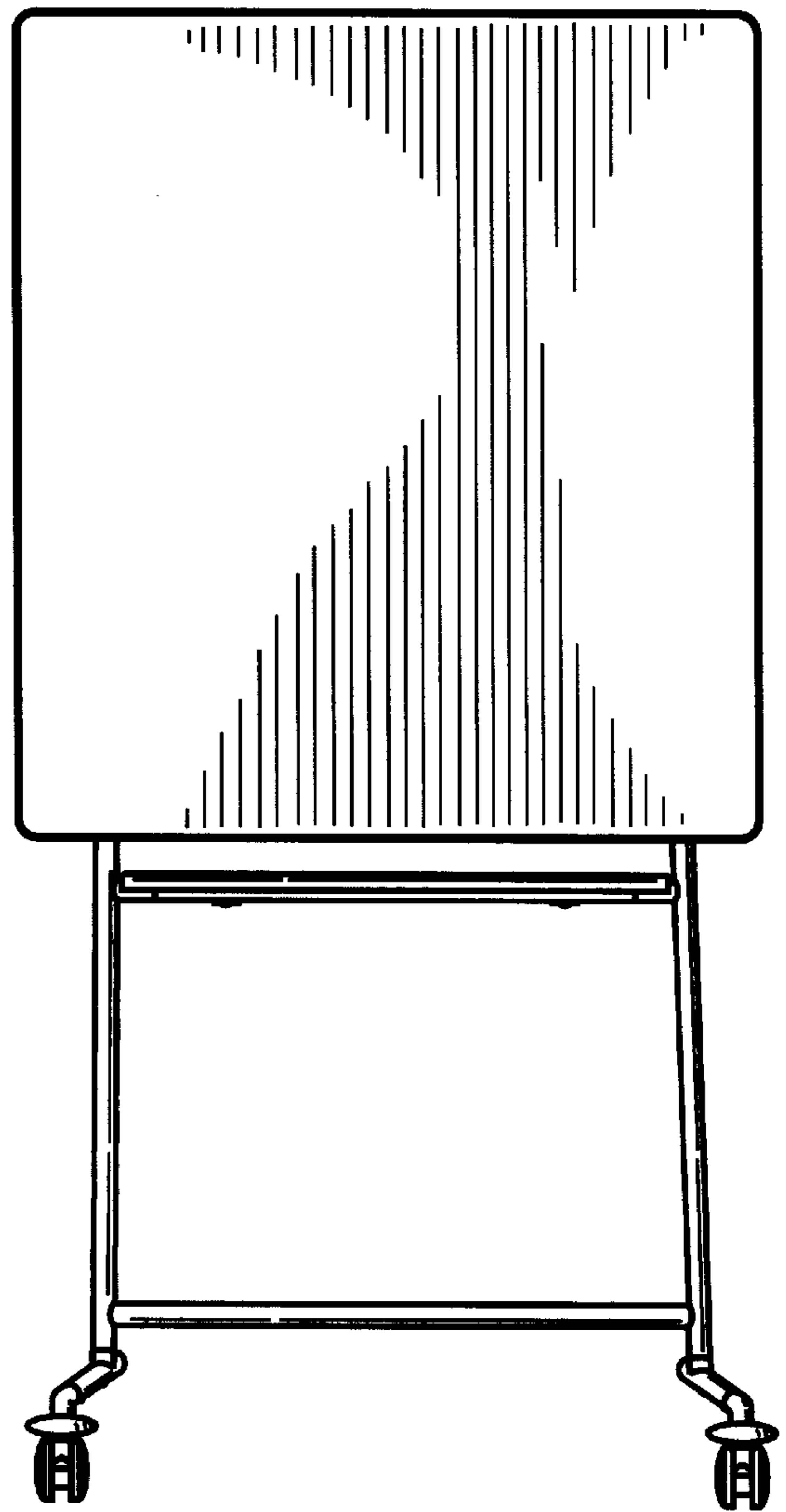


Figure 2

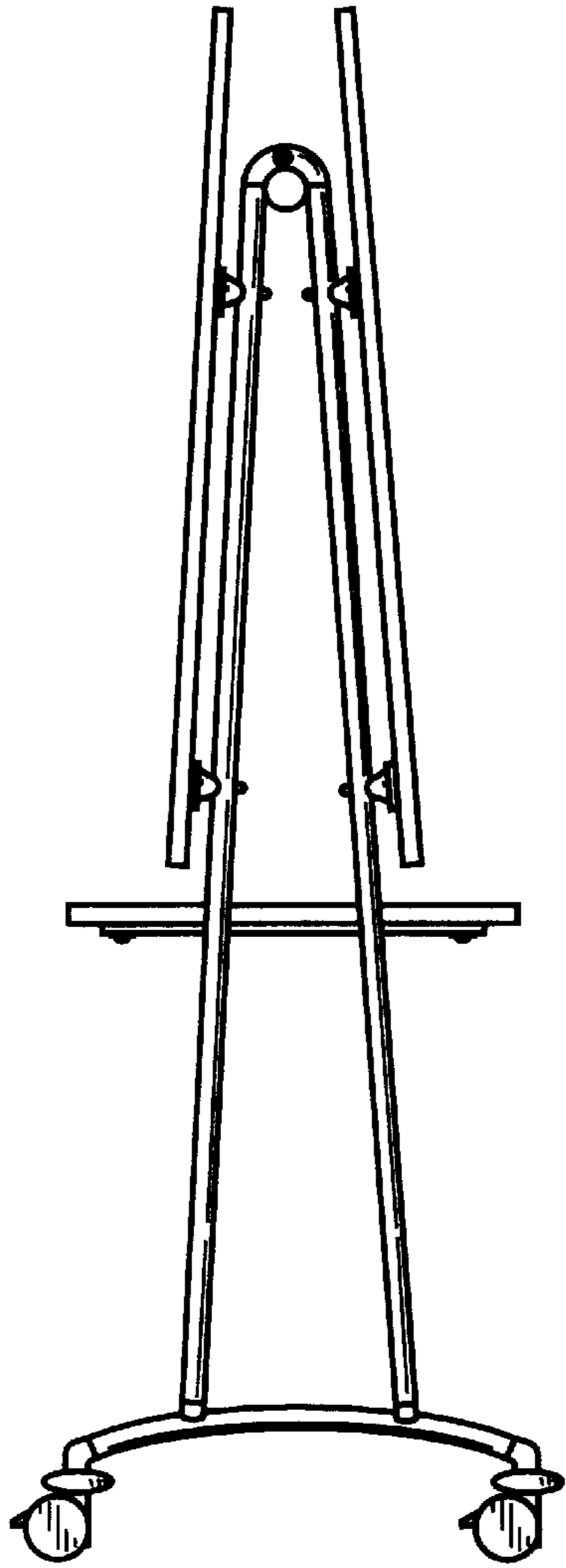


Figure 3

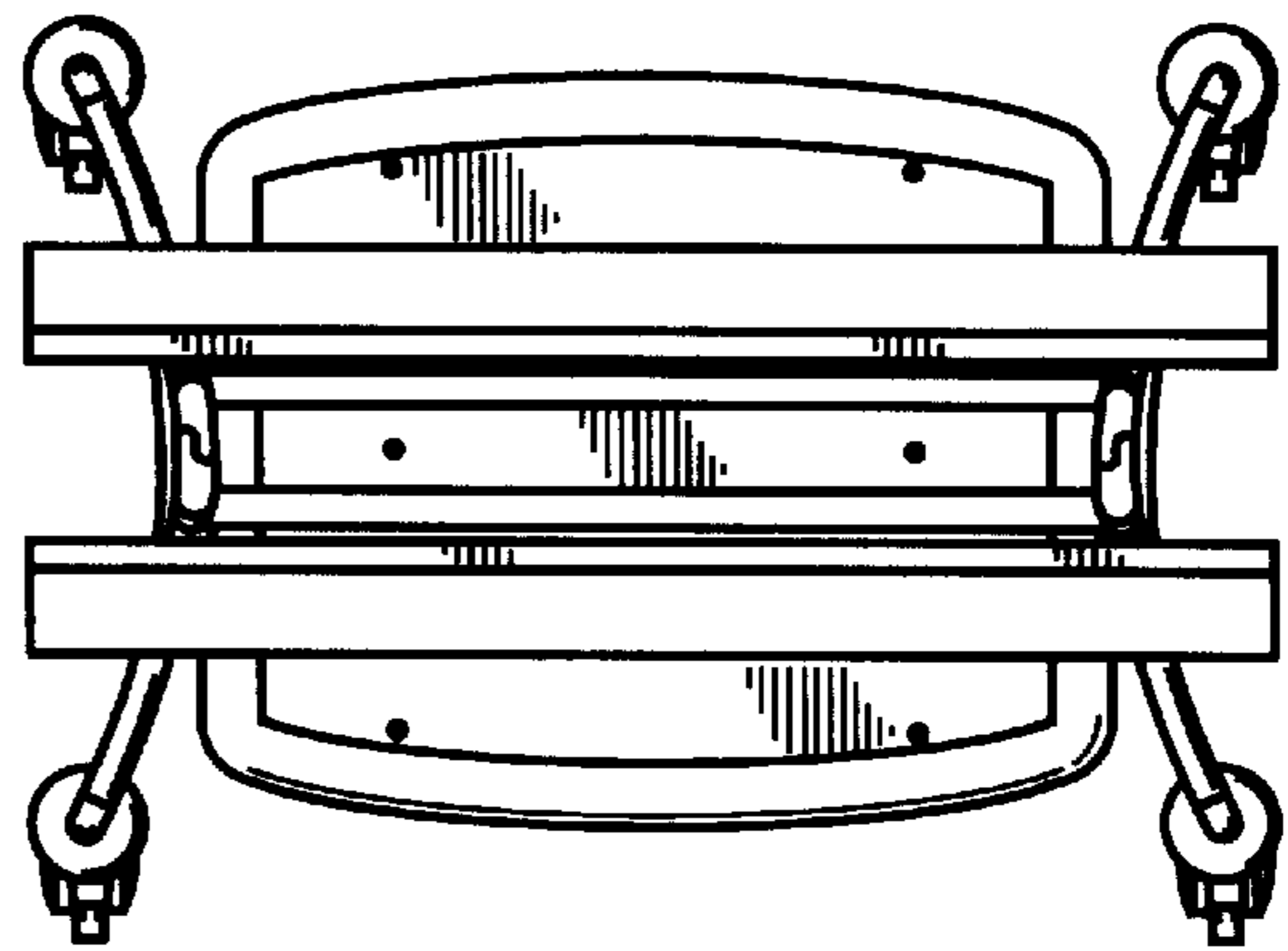


Figure 4

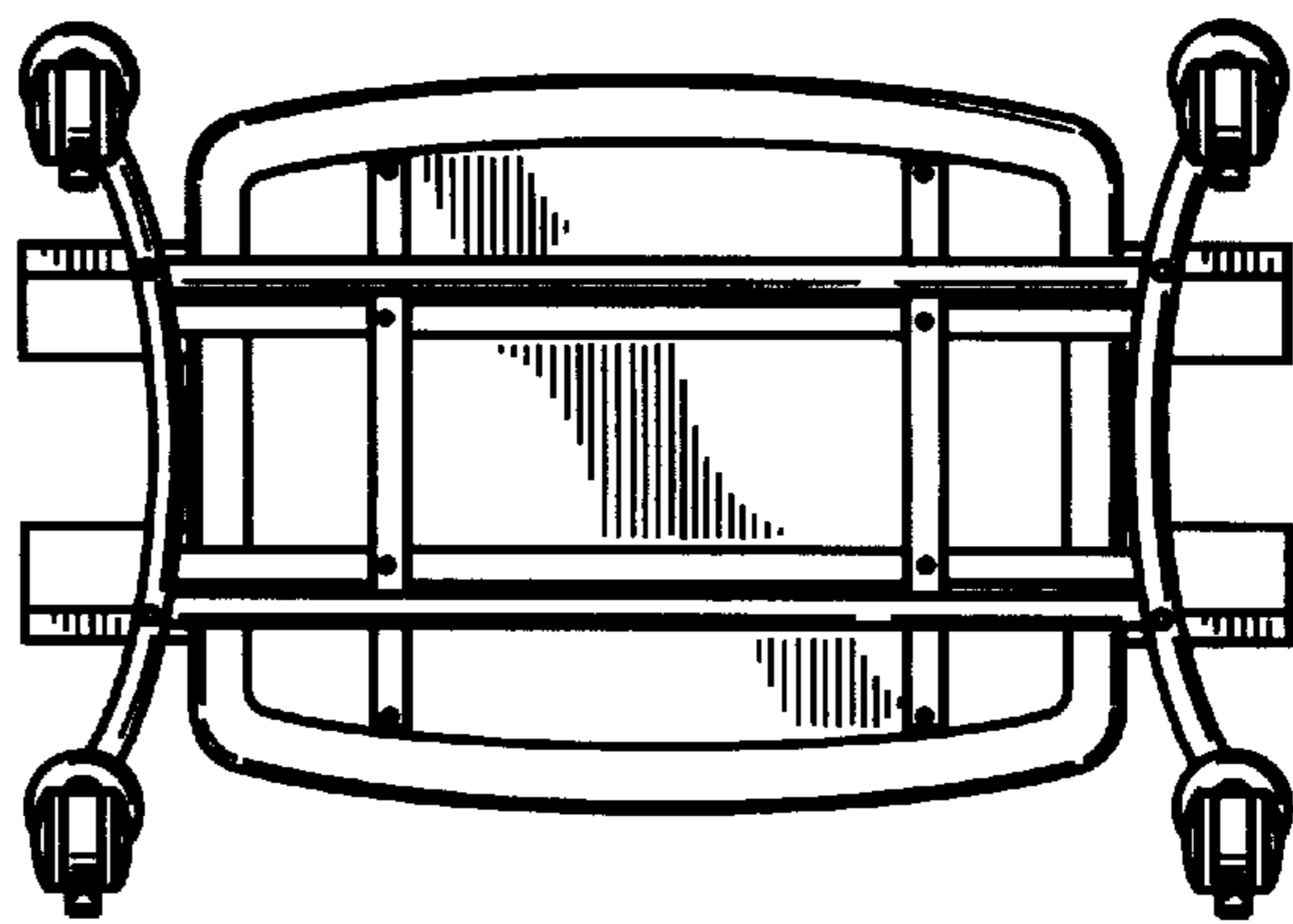


Figure 5