



US00D431906S

United States Patent [19]
Livingston

[11] **Patent Number: Des. 431,906**

[45] **Date of Patent: ** Oct. 17, 2000**

[54] **WHEELED CARRY-ON LUGGAGE BAG**

[75] Inventor: **Linda D. Livingston**, Los Angeles, Calif.

[73] Assignee: **KT Travel Gear**, Los Angeles, Calif.

[**] Term: **14 Years**

[21] Appl. No.: **29/111,904**

[22] Filed: **Oct. 6, 1999**

[51] **LOC (7) Cl.** **03-01**

[52] **U.S. Cl.** **D3/279; D3/276**

[58] **Field of Search** **D3/273, 276, 279, D3/283, 285, 287; 190/18 A, 110, 100, 111, 112, 113, 114, 115**

[56] **References Cited**

U.S. PATENT DOCUMENTS

D. 280,783	10/1985	Bomes et al.	D3/279
D. 354,396	1/1995	Lowenstein	D3/279
D. 354,397	1/1995	Berman	D3/276
D. 358,031	5/1995	Aumasson	D3/276
D. 364,504	11/1995	Bieber et al.	D3/279
D. 374,773	10/1996	Domotor	D3/279
D. 387,625	12/1997	Kai Fai	D3/279
D. 389,308	1/1998	King et al.	D3/279
D. 395,361	6/1998	Zionts et al.	D3/279
D. 414,933	10/1999	Yu	D3/276

Primary Examiner—Philip S. Hyder
Attorney, Agent, or Firm—Edward Gray

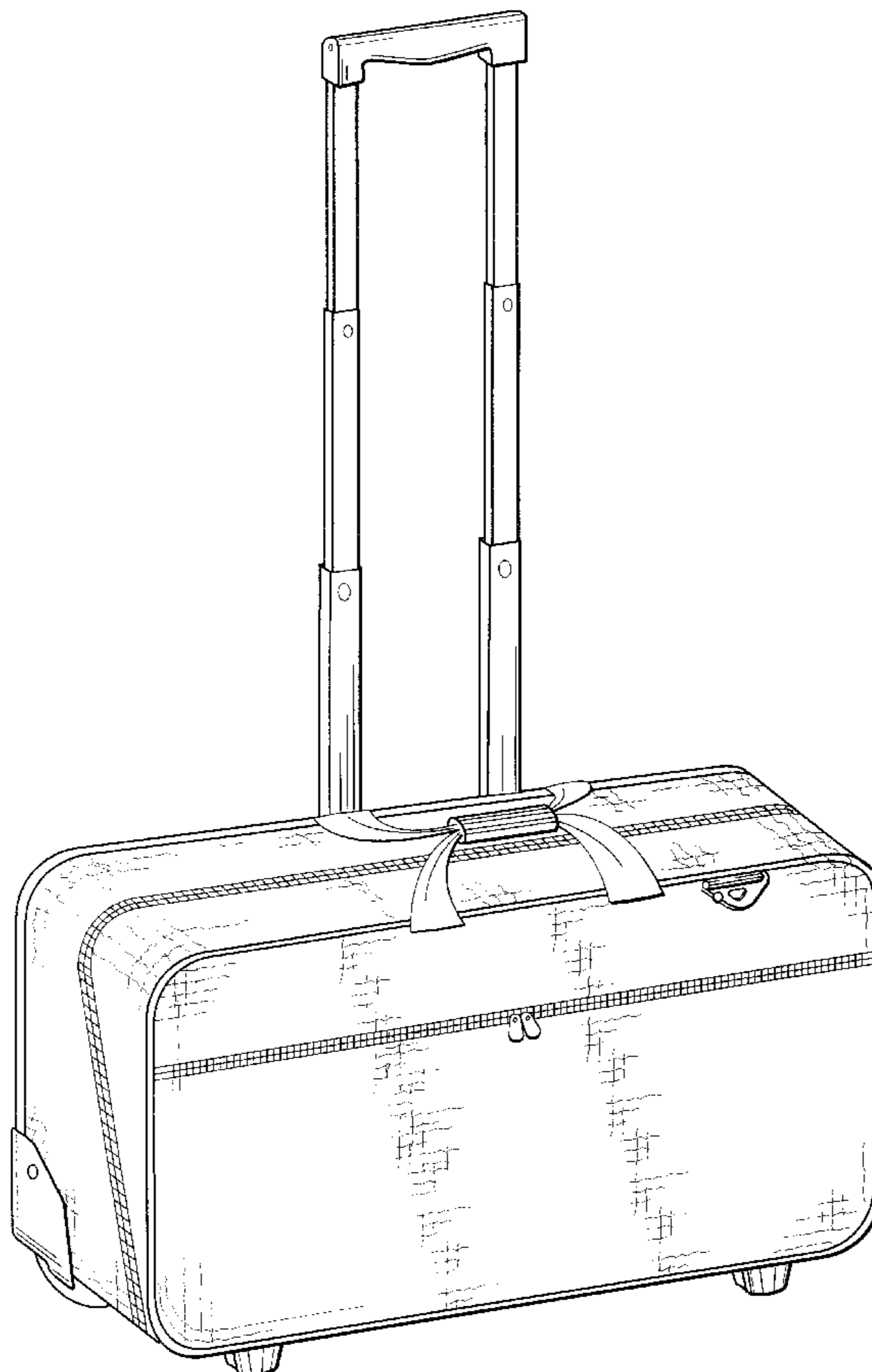
[57] **CLAIM**

I claim the ornamental design for a wheeled carry-on luggage bag, as shown.

DESCRIPTION

FIG. 1 is a front perspective view of a wheeled carry-on luggage bag, showing my new design, wherein the bag and the interior flap are shown in the open position;
 FIG. 2 is a front perspective view of the closed bag;
 FIG. 3 is a rear perspective view thereof, wherein the extendible handle is in a retracted position;
 FIG. 4 is a front elevational view thereof;
 FIG. 5 is a rear elevational view thereof;
 FIG. 6 is a right side elevational view thereof;
 FIG. 7 is a left side elevational view thereof;
 FIG. 8 is a top plan elevational view thereof;
 FIG. 9 is a bottom plan elevational view thereof;
 FIG. 10 is a front perspective view of the closed bag with the rigid handle extended;
 FIG. 11 is a rear perspective view thereof;
 FIG. 12 is a front elevational view thereof;
 FIG. 13 is a rear elevational view thereof;
 FIG. 14 is a right side elevational view thereof; and,
 FIG. 15 is a left side elevational view thereof.

1 Claim, 10 Drawing Sheets



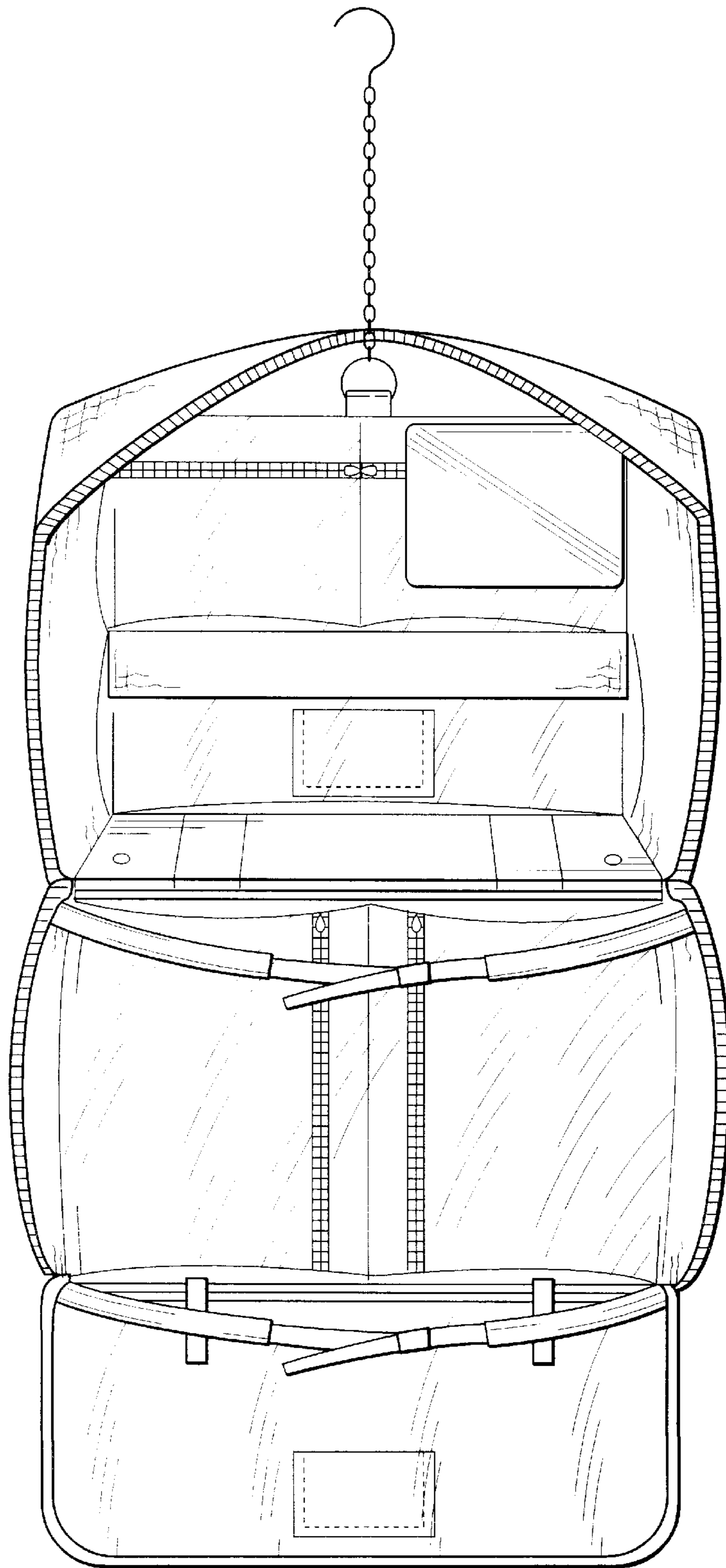


FIG. 1

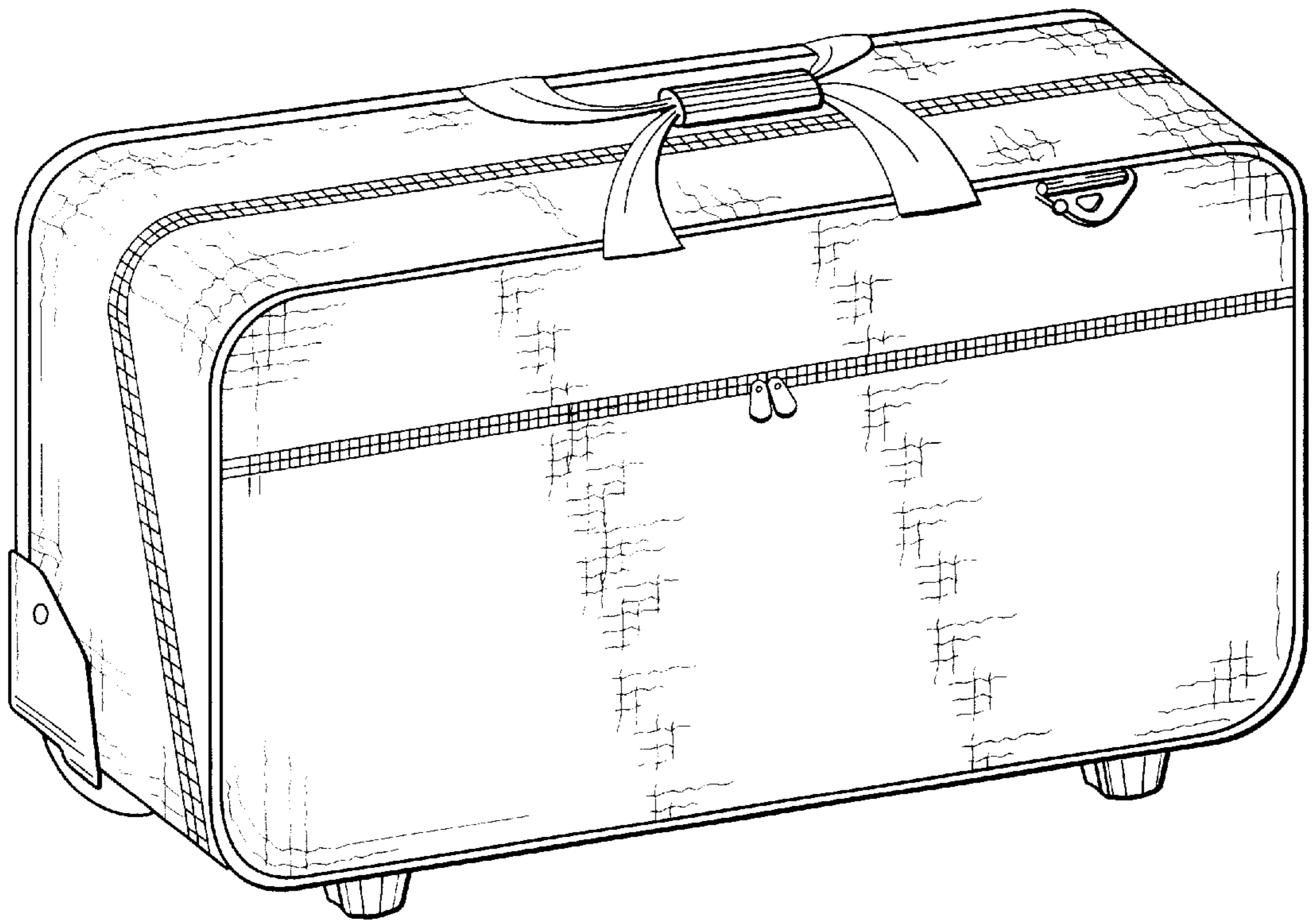


FIG. 2

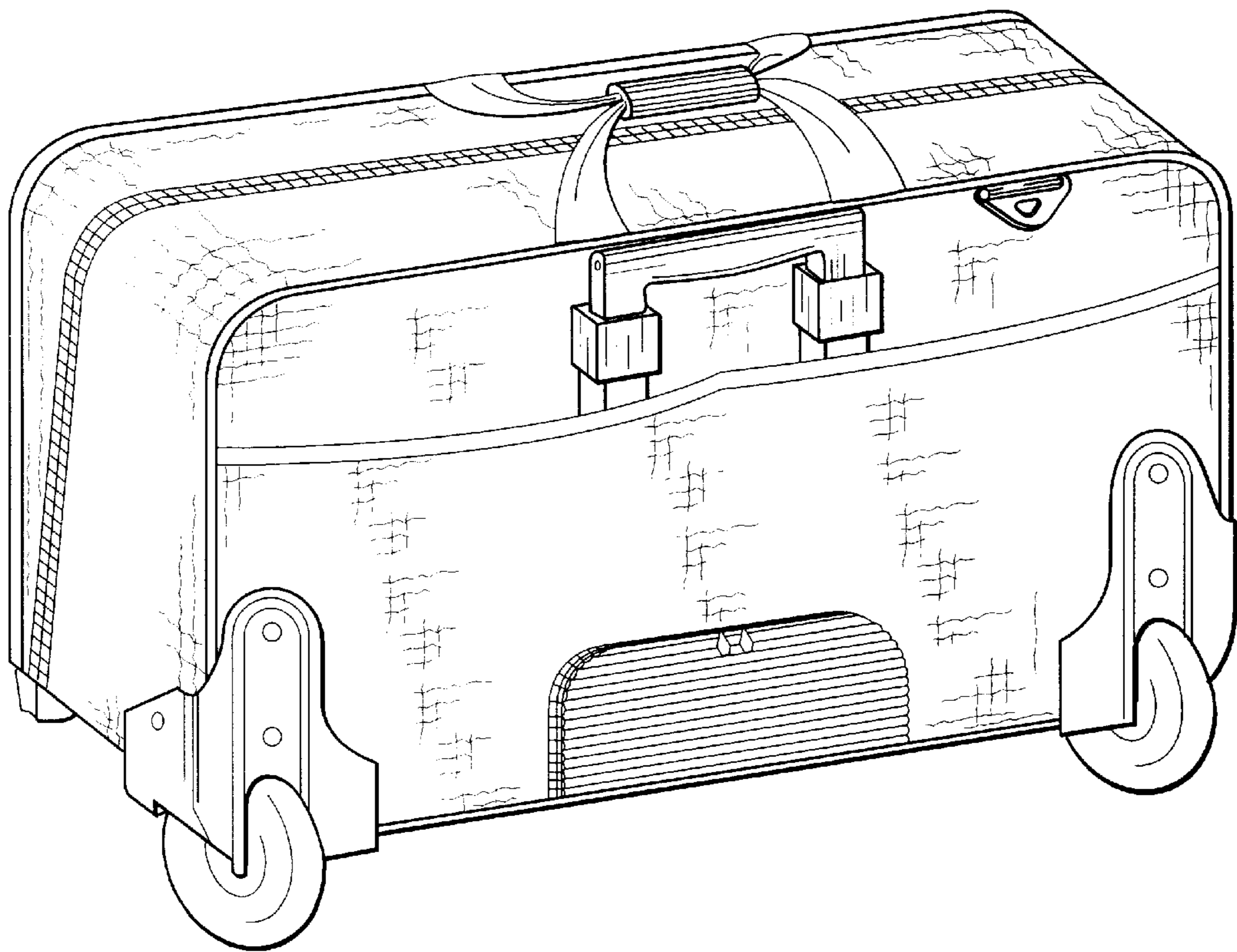


FIG. 3

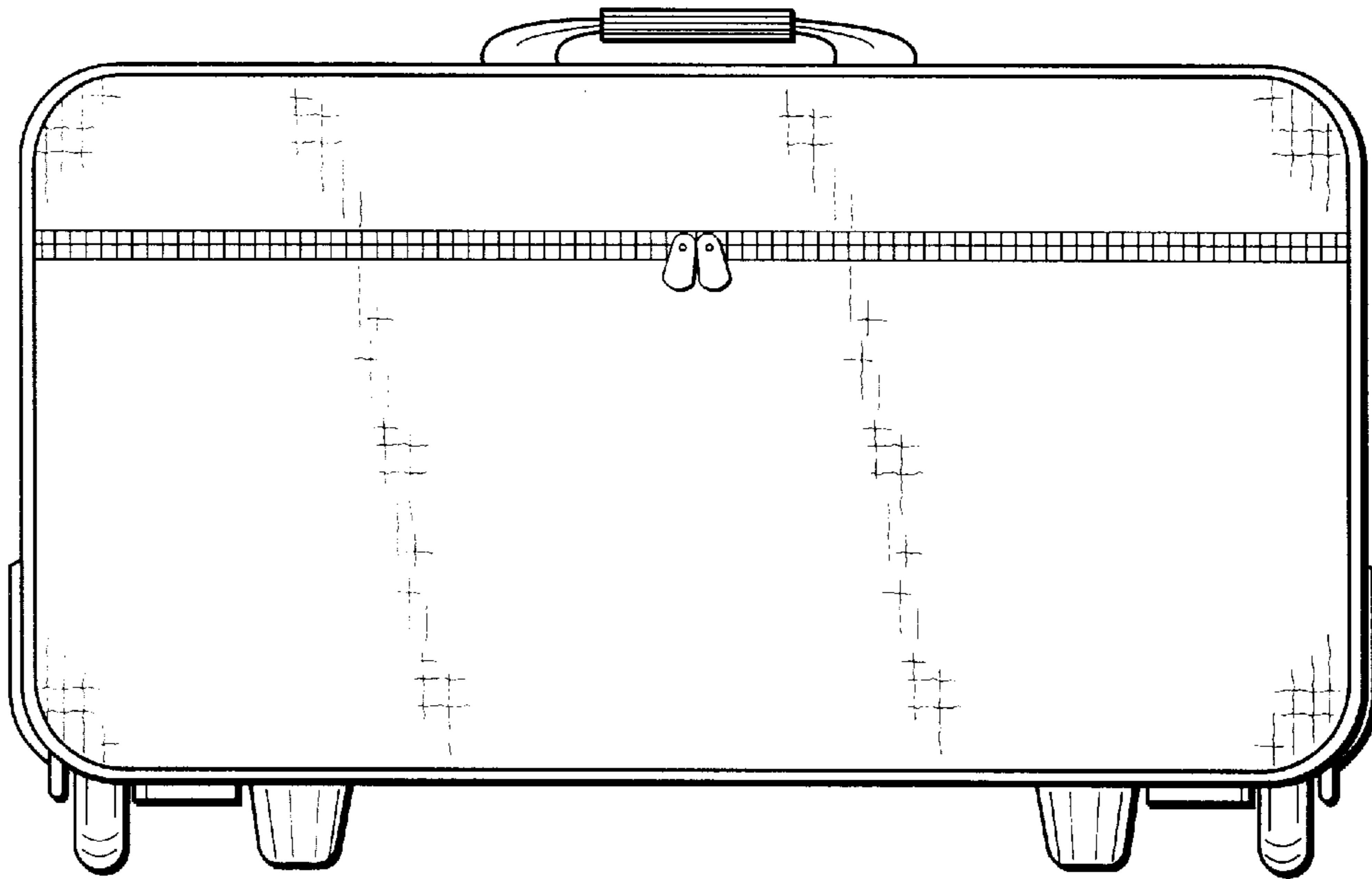


FIG. 4

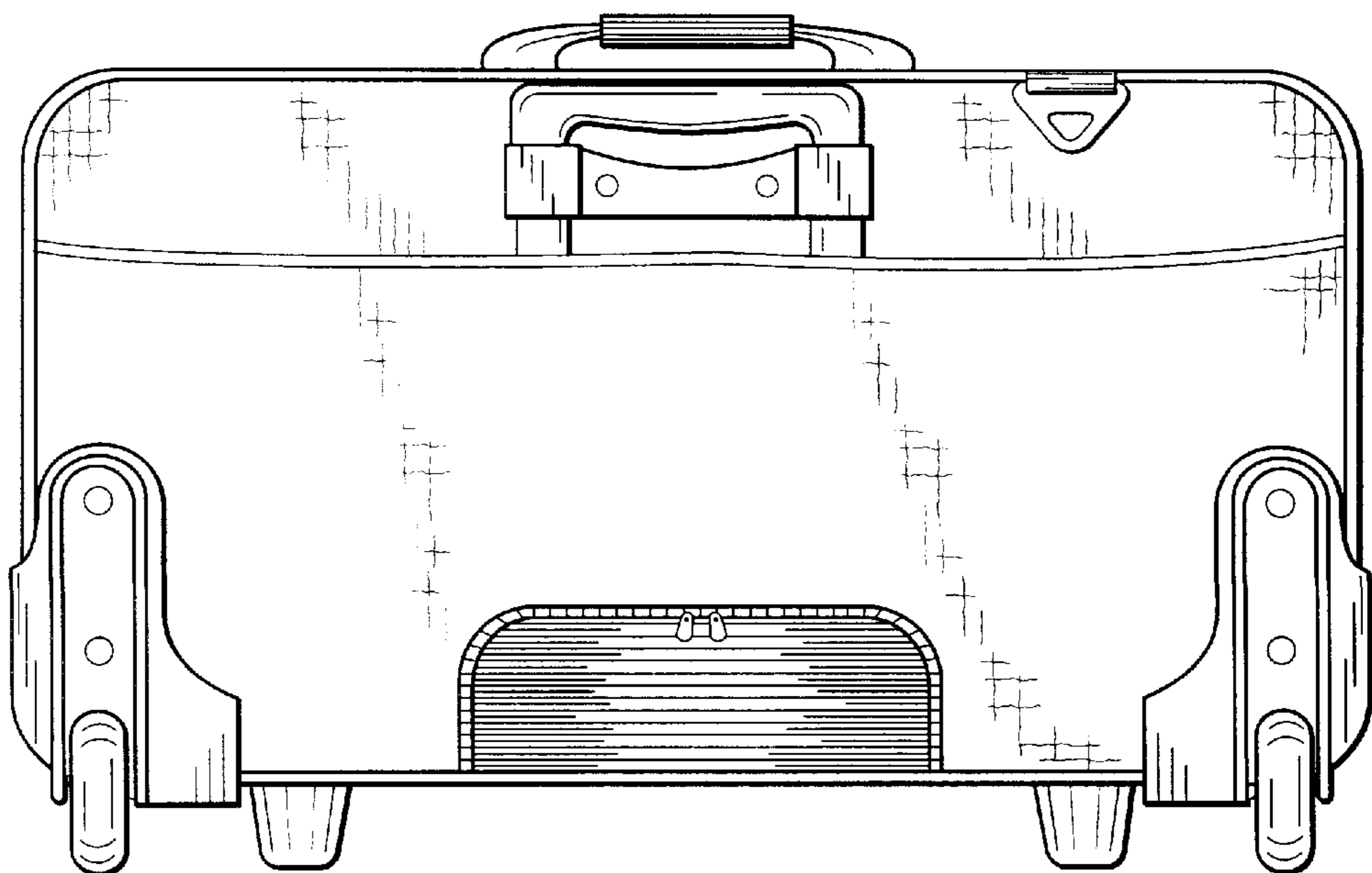


FIG. 5

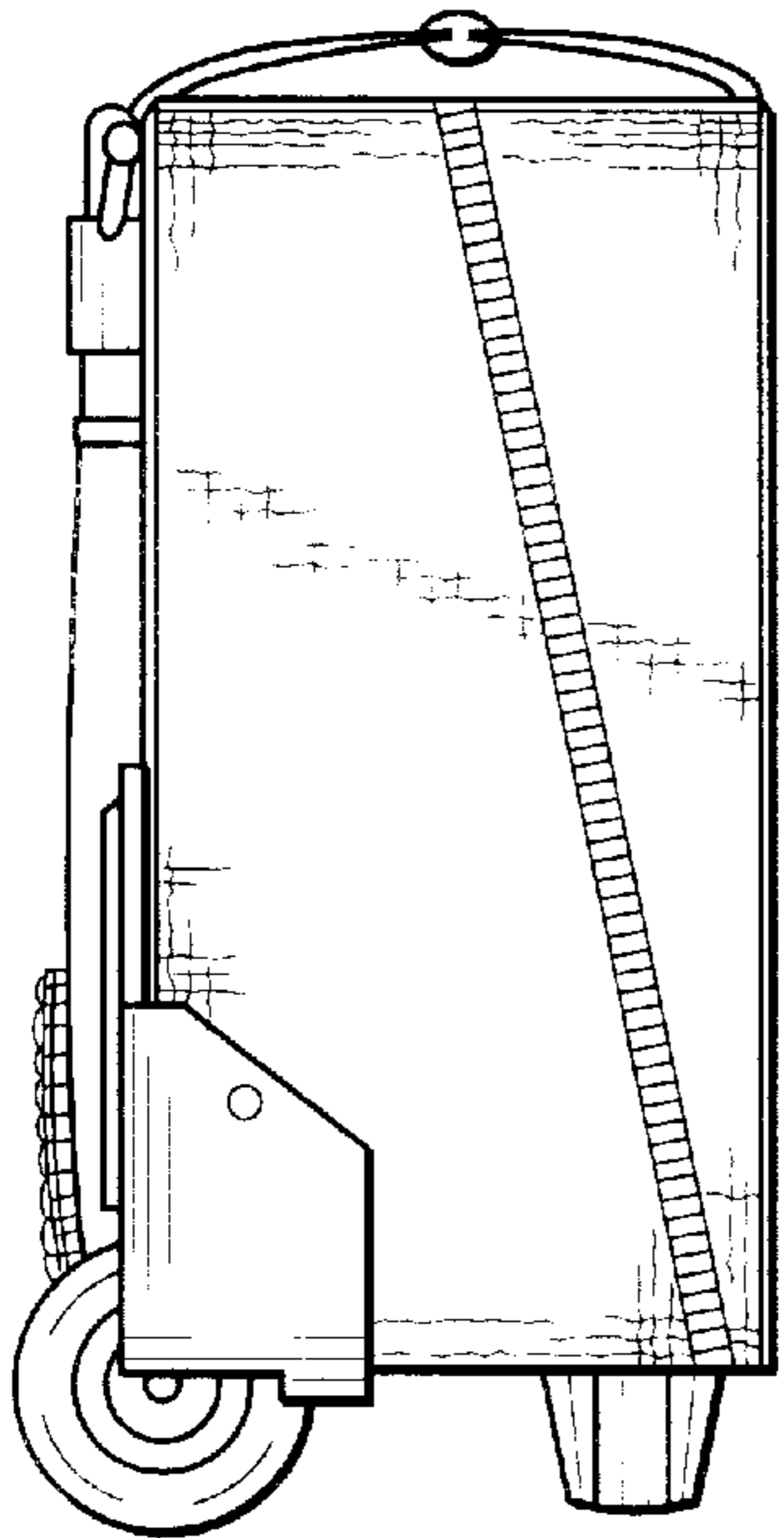


FIG. 6

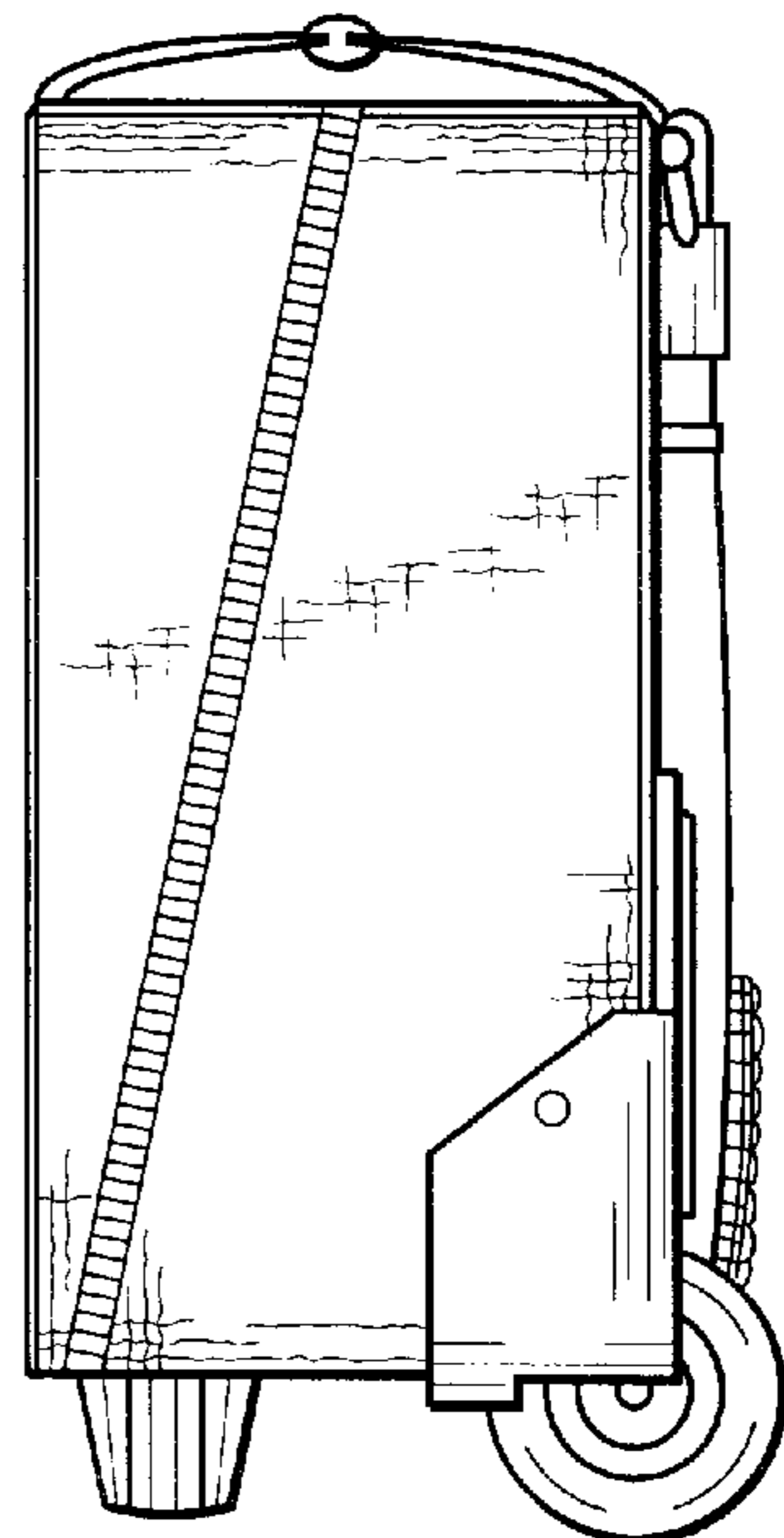


FIG. 7

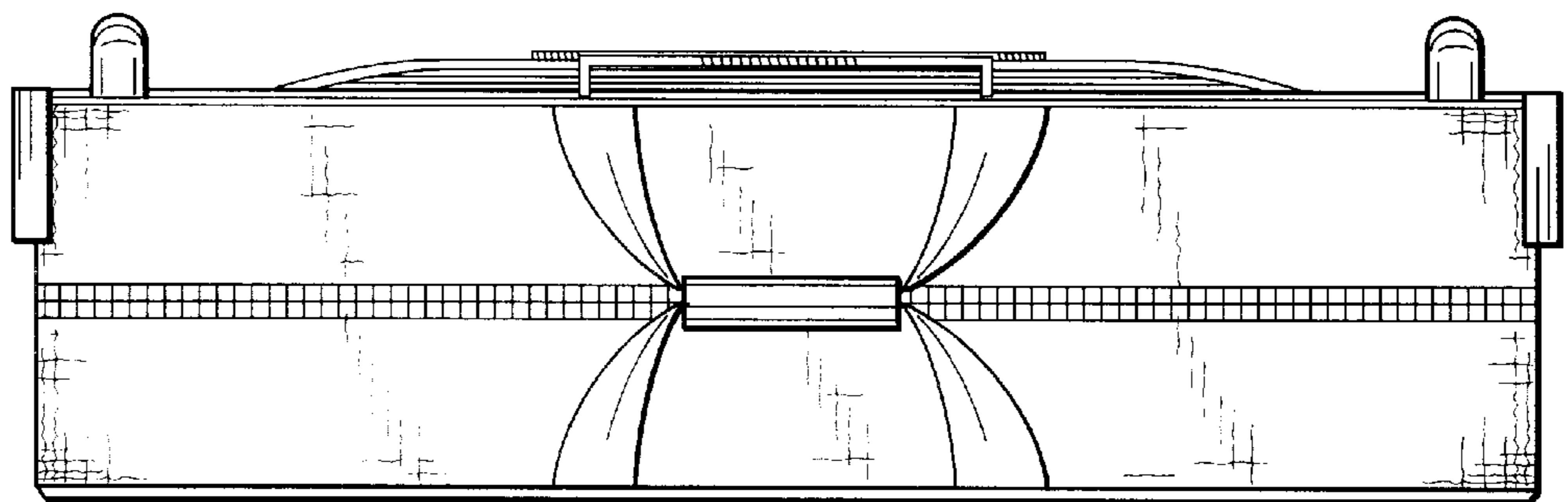


FIG. 8

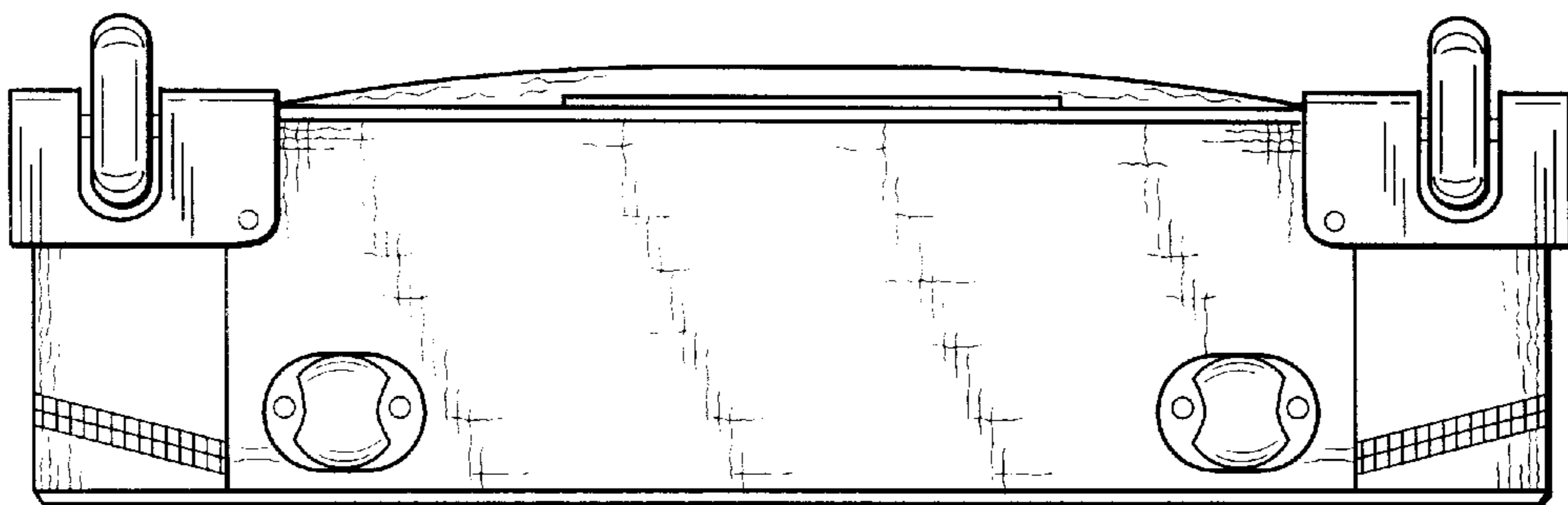


FIG. 9

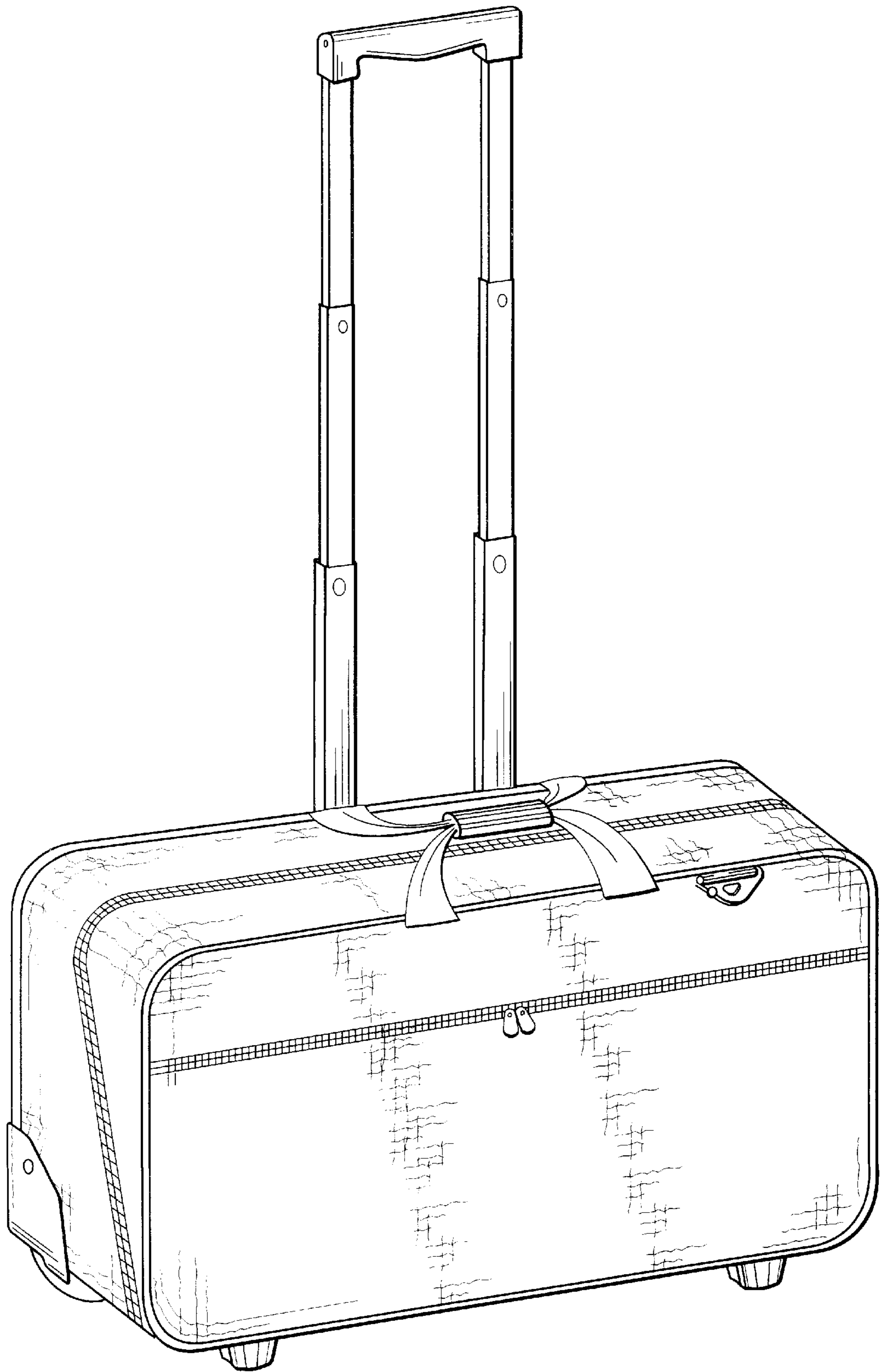


FIG. 10

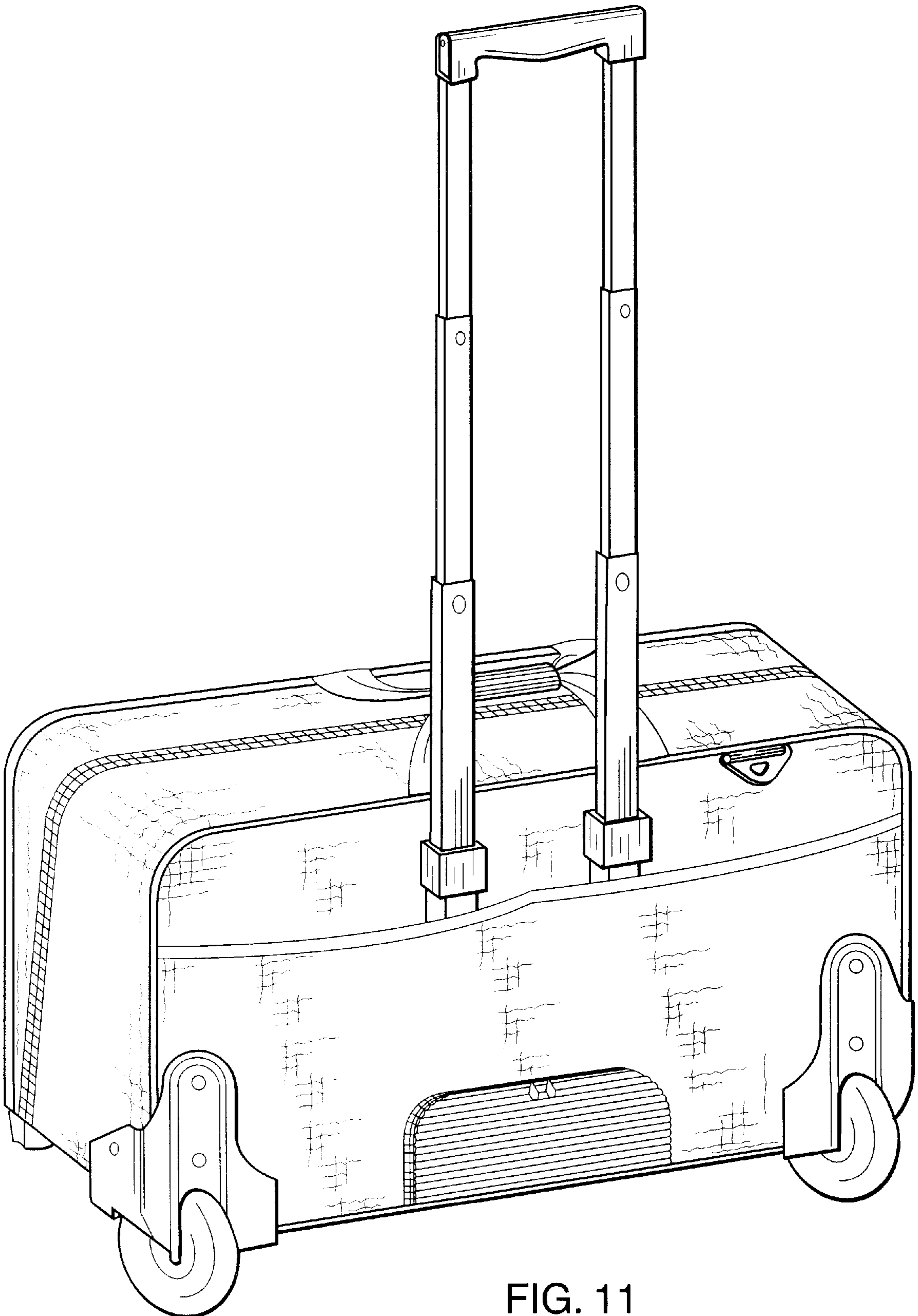


FIG. 11

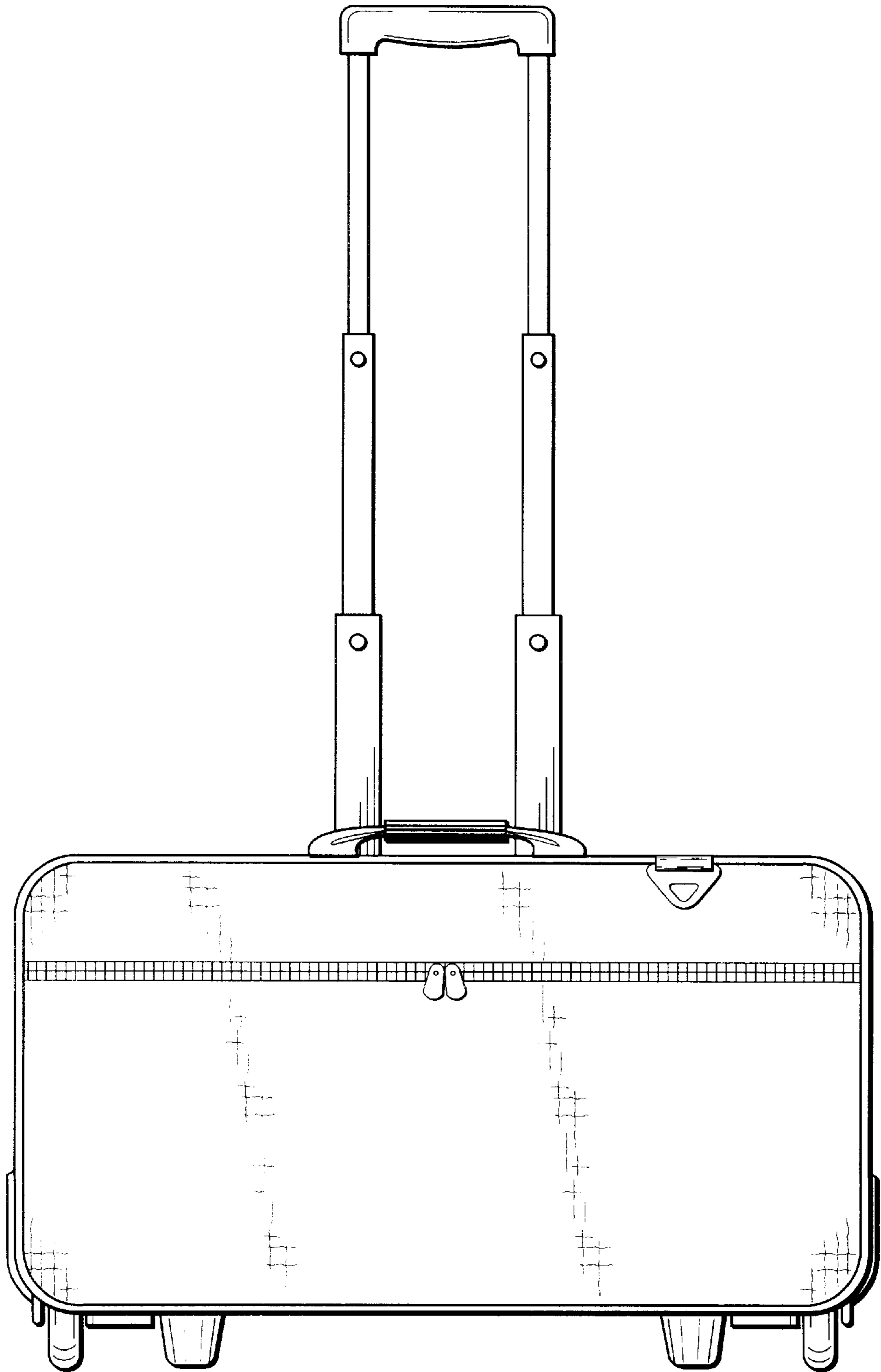


FIG. 12

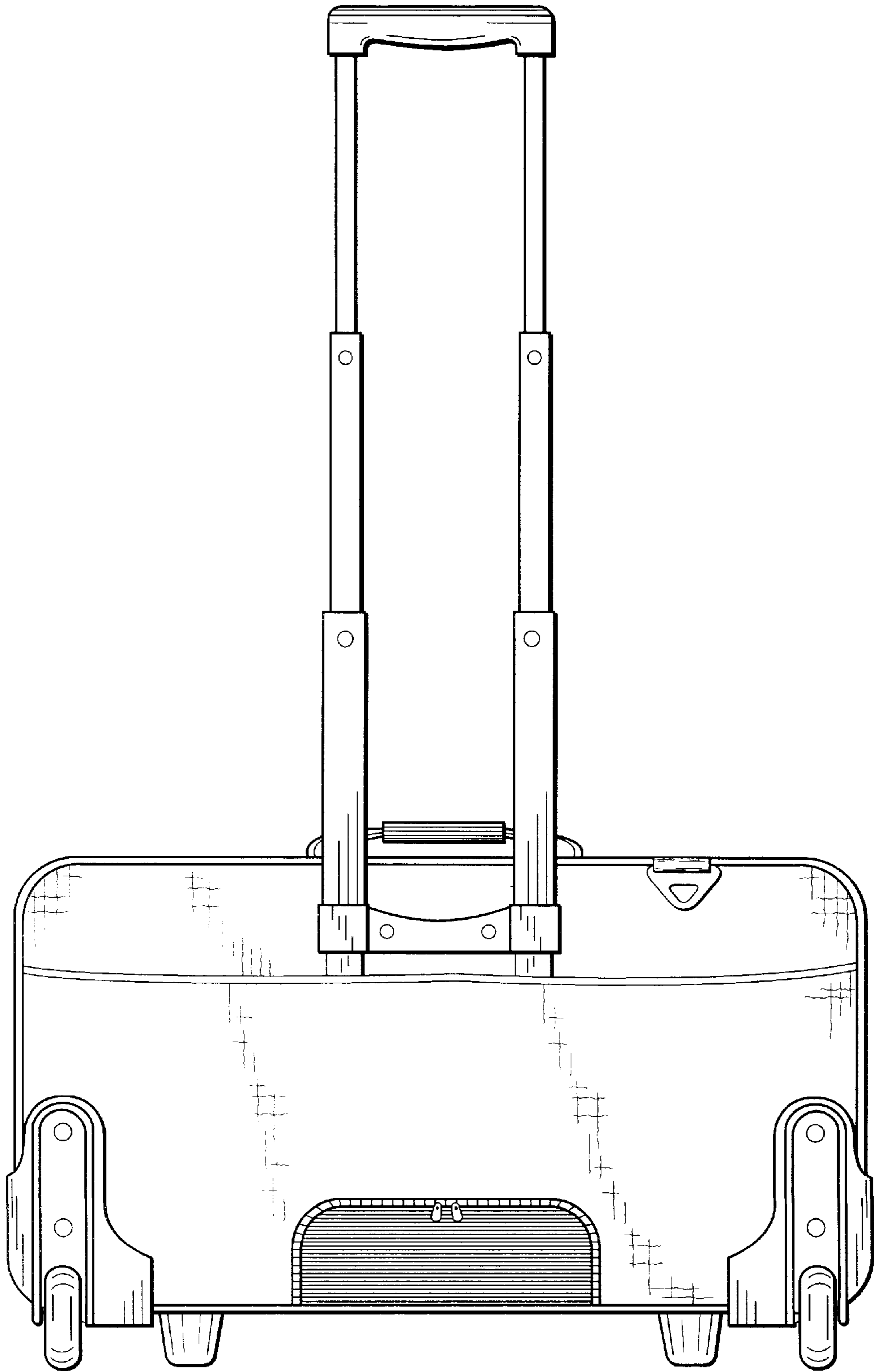


FIG. 13

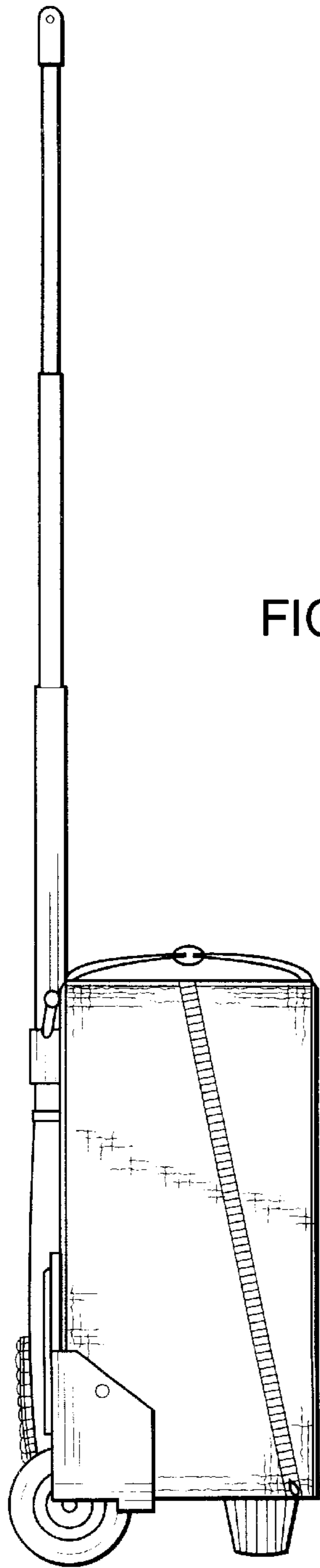


FIG. 14

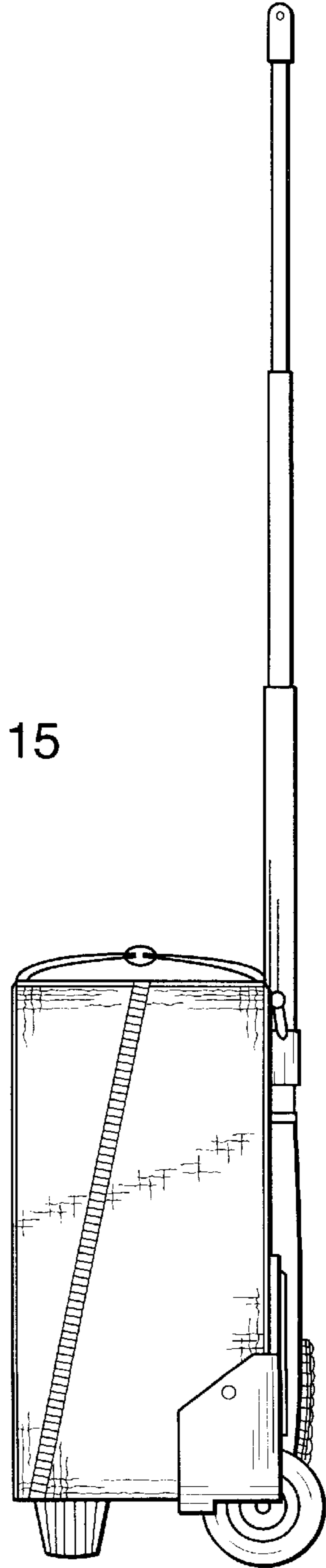


FIG. 15