



US00D431890S

United States Patent [19]
Twilligear et al.

[11] **Patent Number: Des. 431,890**

[45] **Date of Patent: ** Oct. 10, 2000**

[54] **TREE-MOUNTABLE HOIST SUPPORT**

[76] Inventors: **Kurt D. Twilligear**, 1744 Lilac La.,
Auburn, Calif. 95603; **Richard E. Martin**, 125 Manor Ct., P.O. Box 907,
Morgan Hill, Calif. 95037

[**] Term: **14 Years**

[21] Appl. No.: **29/111,238**

[22] Filed: **Sep. 22, 1999**

Related U.S. Application Data

[63] Continuation of application No. 09/009,142, Jan. 20, 1998,
abandoned.

[51] **LOC (7) Cl. 12-05**

[52] **U.S. Cl. D34/33**

[58] **Field of Search D34/28, 31, 33;**
414/785, 11, 917; 212/294, 295, 901; 187/200,
244, 243; 254/2 R, 8 R

[56] **References Cited**

U.S. PATENT DOCUMENTS

D. 192,092	1/1962	Holt	D34/33
D. 268,448	3/1983	Callahan et al.	D34/33
D. 341,242	11/1993	Thorby	D34/33
D. 349,996	8/1994	Litwiller	D34/33

D. 376,240	12/1996	Finnigan et al.	D34/33
1,010,530	12/1911	Taylor	414/785
1,218,008	3/1917	Smith	254/2 R
1,887,965	11/1932	Stoner	254/8 R
3,275,296	9/1966	Meyer	254/2 R
3,521,860	7/1970	Zehrunge, Jr. et al.	414/11
4,607,724	8/1986	Hillberg	187/200
5,049,110	9/1991	Owens	.	
5,076,448	12/1991	Ballard	254/8 B
5,431,526	7/1995	Peterson et al.	414/785
5,588,907	12/1996	DiPietro	.	
5,597,081	1/1997	Shirley	212/294

Primary Examiner—Cynthia E Ramirez
Attorney, Agent, or Firm—Edward B. Anderson

[57] **CLAIM**

The ornamental design for a tree-mountable hoist support, as shown and described.

DESCRIPTION

FIG. 1 is a top left isometric view of a tree-mountable hoist support, showing our new design;
FIG. 2 is a right side elevational view thereof, the left being a mirror image;
FIG. 3 is a top plan view;
FIG. 4 is a rear elevational view thereof;
FIG. 5 is a front elevational view thereof; and,
FIG. 6 is a bottom plan view.

1 Claim, 2 Drawing Sheets

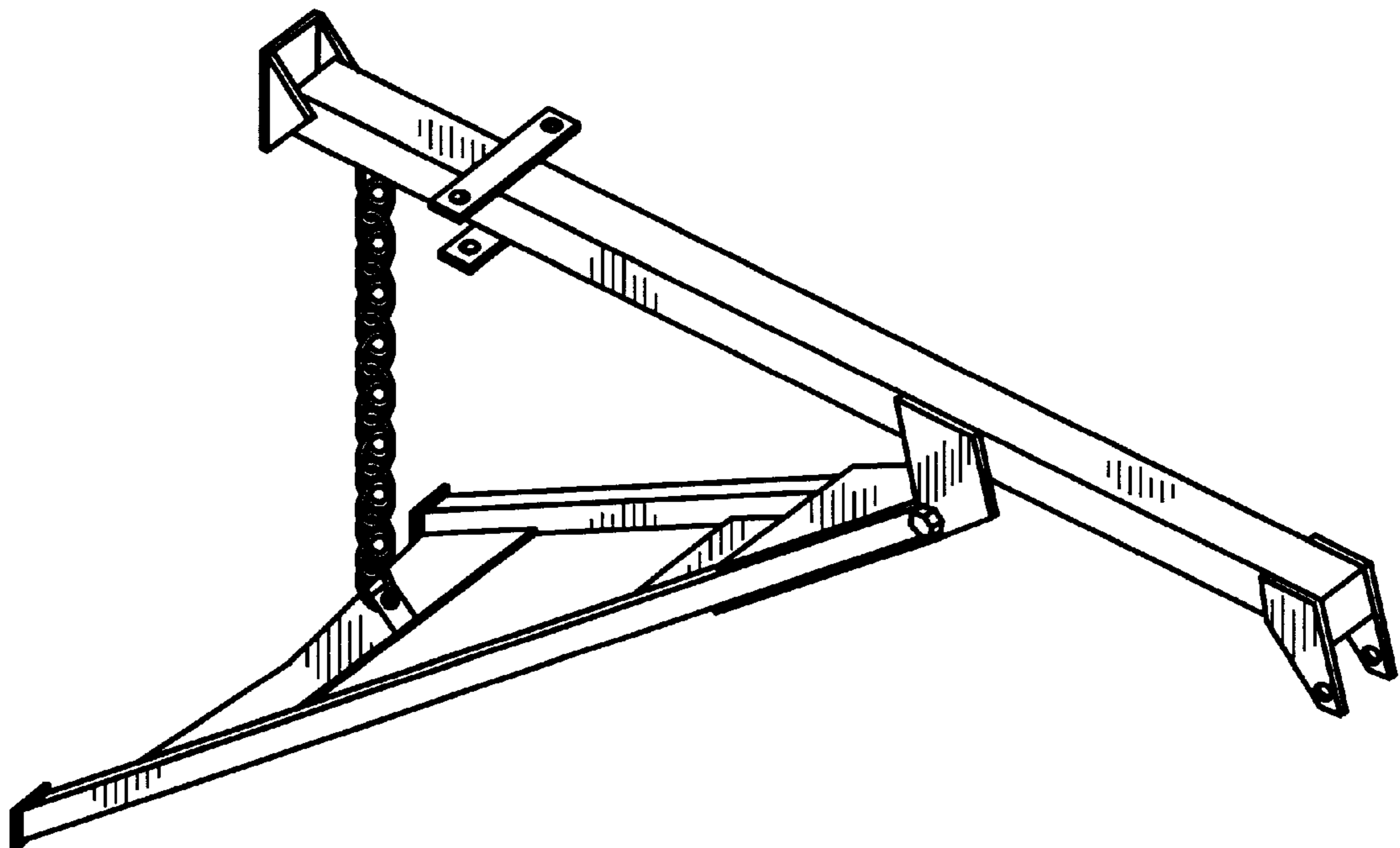


Fig. 1

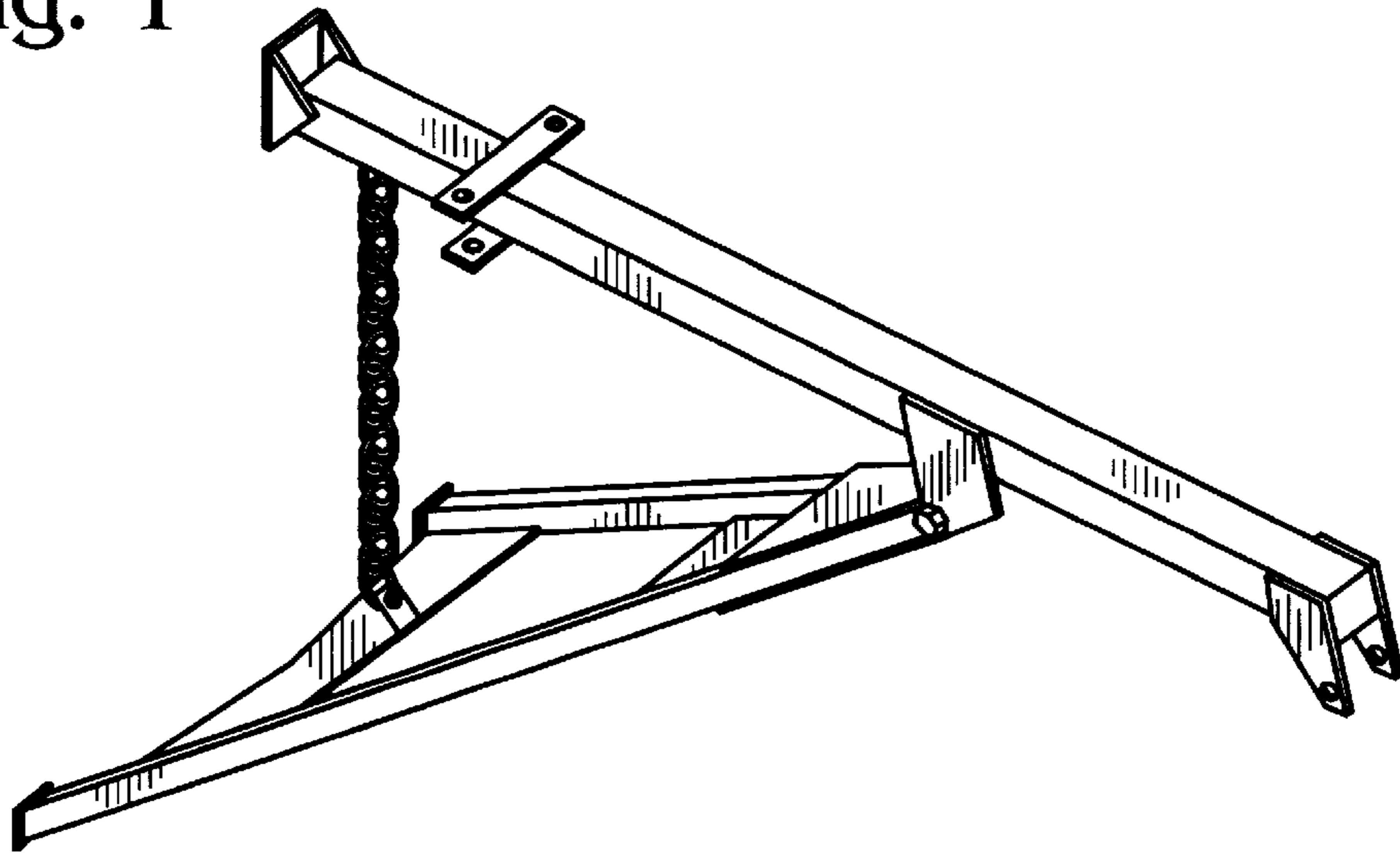


Fig. 4

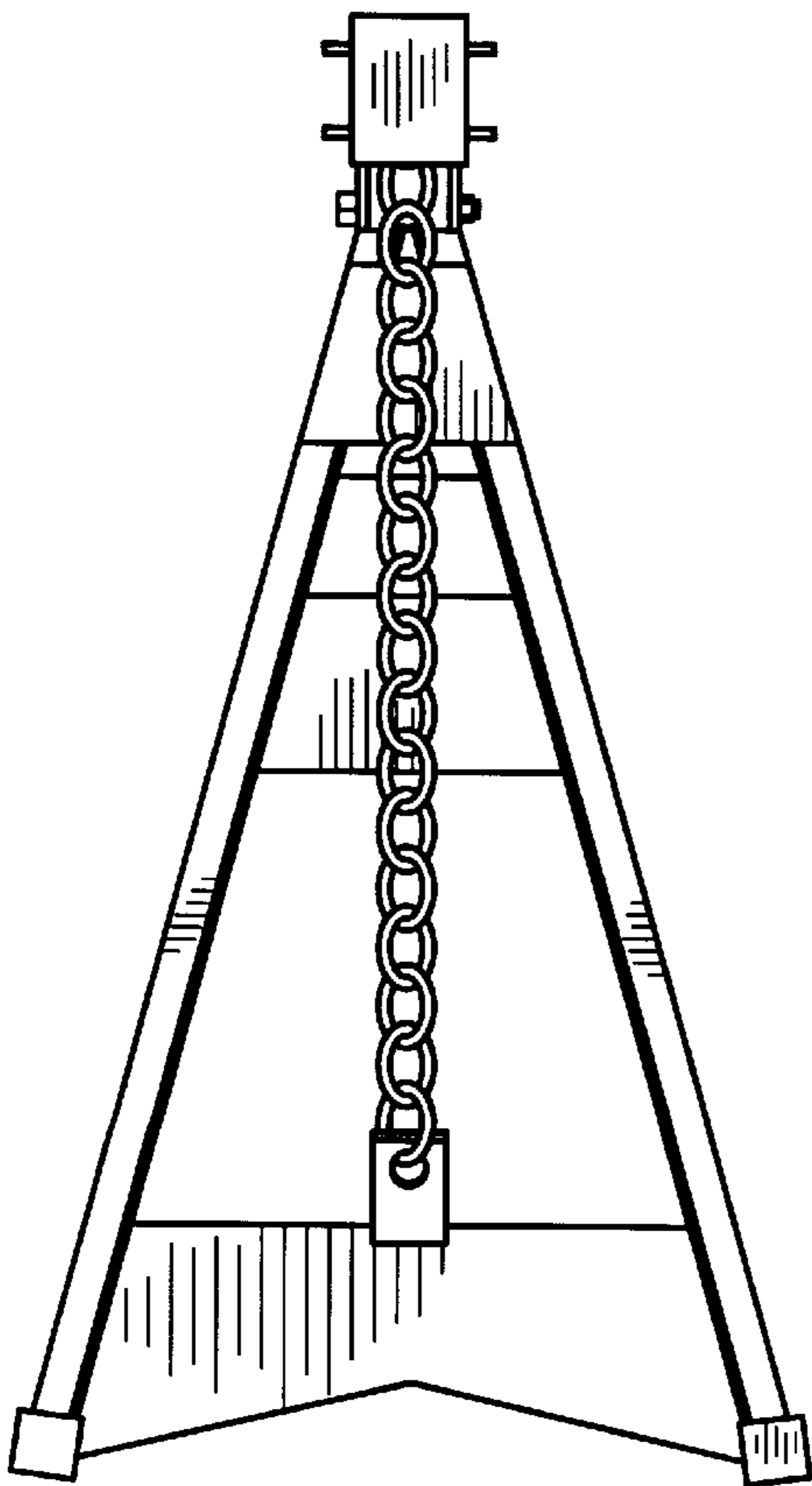


Fig. 5

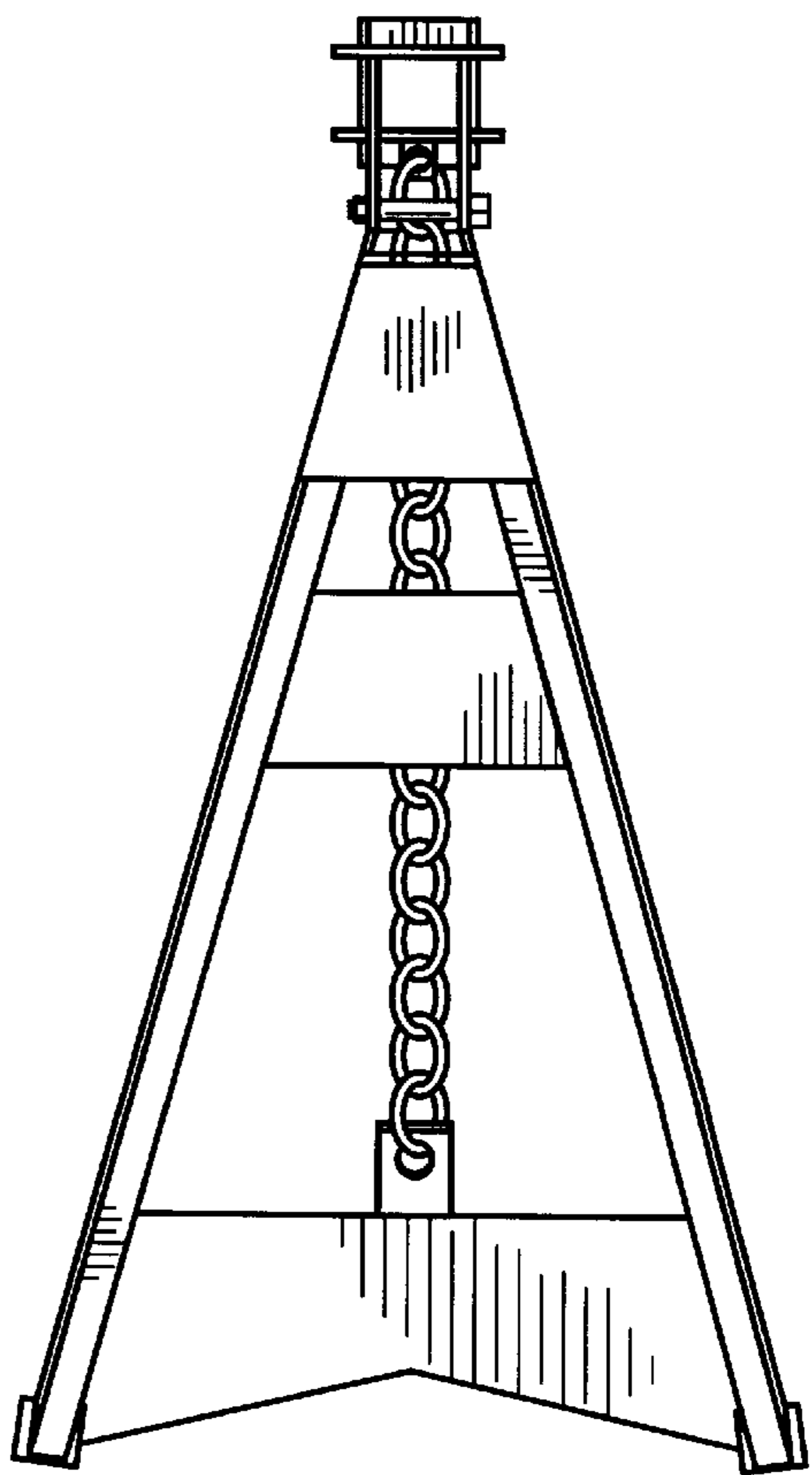


Fig. 3

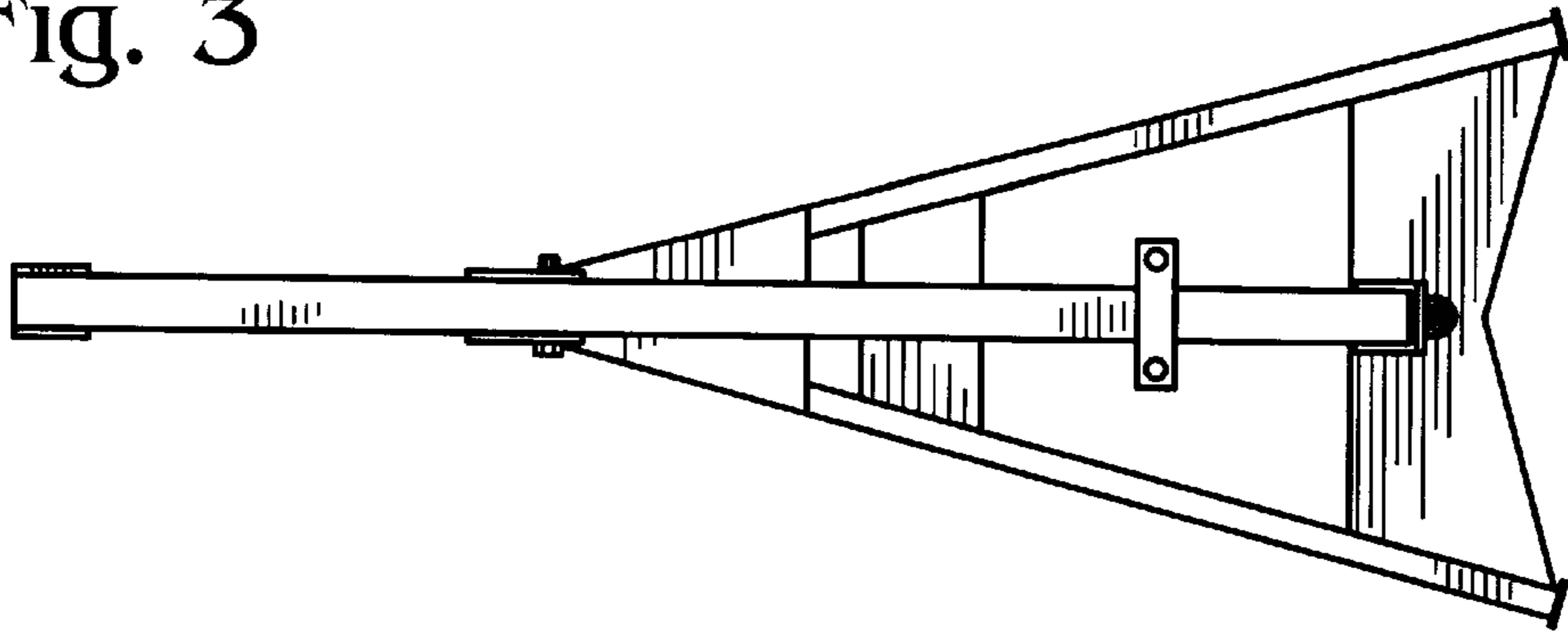


Fig. 2

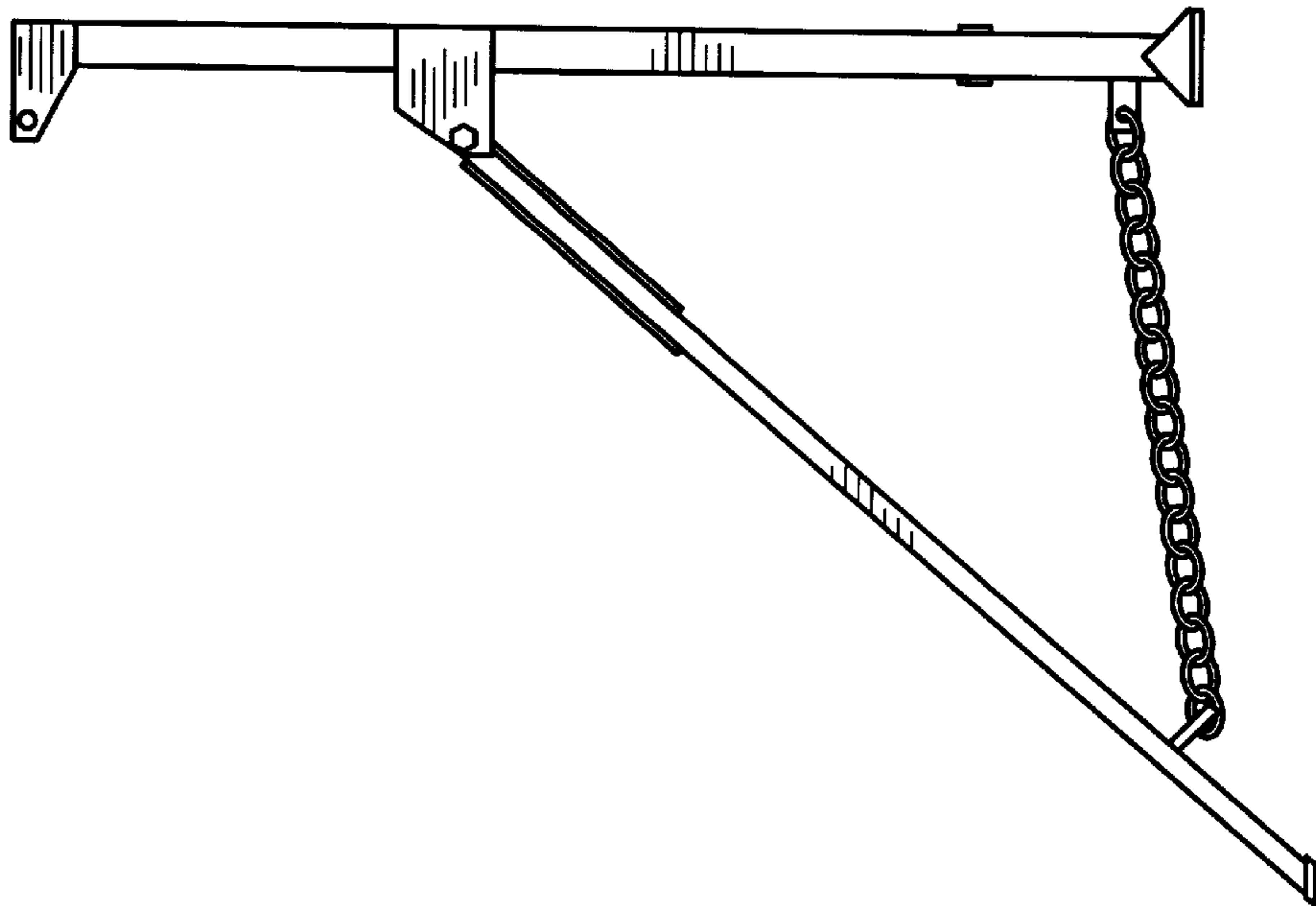


Fig. 6

