



US00D431889S

United States Patent [19]

[11] Patent Number: **Des. 431,889**

Jansen et al.

[45] Date of Patent: **** Oct. 10, 2000**

[54] **HOPPER FOR GRANULATED MATERIALS**

[75] Inventors: **Marco W. Jansen**, Utrecht;
Constantijn Papaikonomou, Delft,
both of Netherlands

[73] Assignee: **Maasland N.V.**, Maasland, Netherlands

[**] Term: **14 Years**

[21] Appl. No.: **29/101,329**

[22] Filed: **Mar. 1, 1999**

[30] **Foreign Application Priority Data**

Aug. 27, 1998 [XH] Hague Agreement 124766601

[51] **LOC (7) Cl.** **12-05**

[52] **U.S. Cl.** **D34/28**

[58] **Field of Search** D34/28, 35, 32;
D8/10; D30/162; 193/2 R, 3, 4, 5, 6, 25 C,
25 A; 177/25.18, 59, 98, 105; 198/568,
523, 706, 710, 711, 550.1, 545, 550.11

[56] **References Cited**

U.S. PATENT DOCUMENTS

- D. 351,709 10/1994 Williams D34/28
- D. 364,253 11/1995 Pianella D32/53.1

- 4,024,939 5/1977 Grieshop et al. 193/5
- 4,058,289 11/1977 Van Mill 193/5
- 4,570,727 2/1986 Ueda 193/2 R X
- 4,804,111 2/1989 Ricciardi et al. 198/550.1
- 5,409,344 4/1995 Tharaldson 198/550.1
- 5,615,990 4/1997 Grieshop 198/550.1
- 5,765,655 6/1998 Tatsuoka 177/25.18

Primary Examiner—Susan J. Lucas
Assistant Examiner—Cynthia E Ramirez
Attorney, Agent, or Firm—Penrose L. Albright

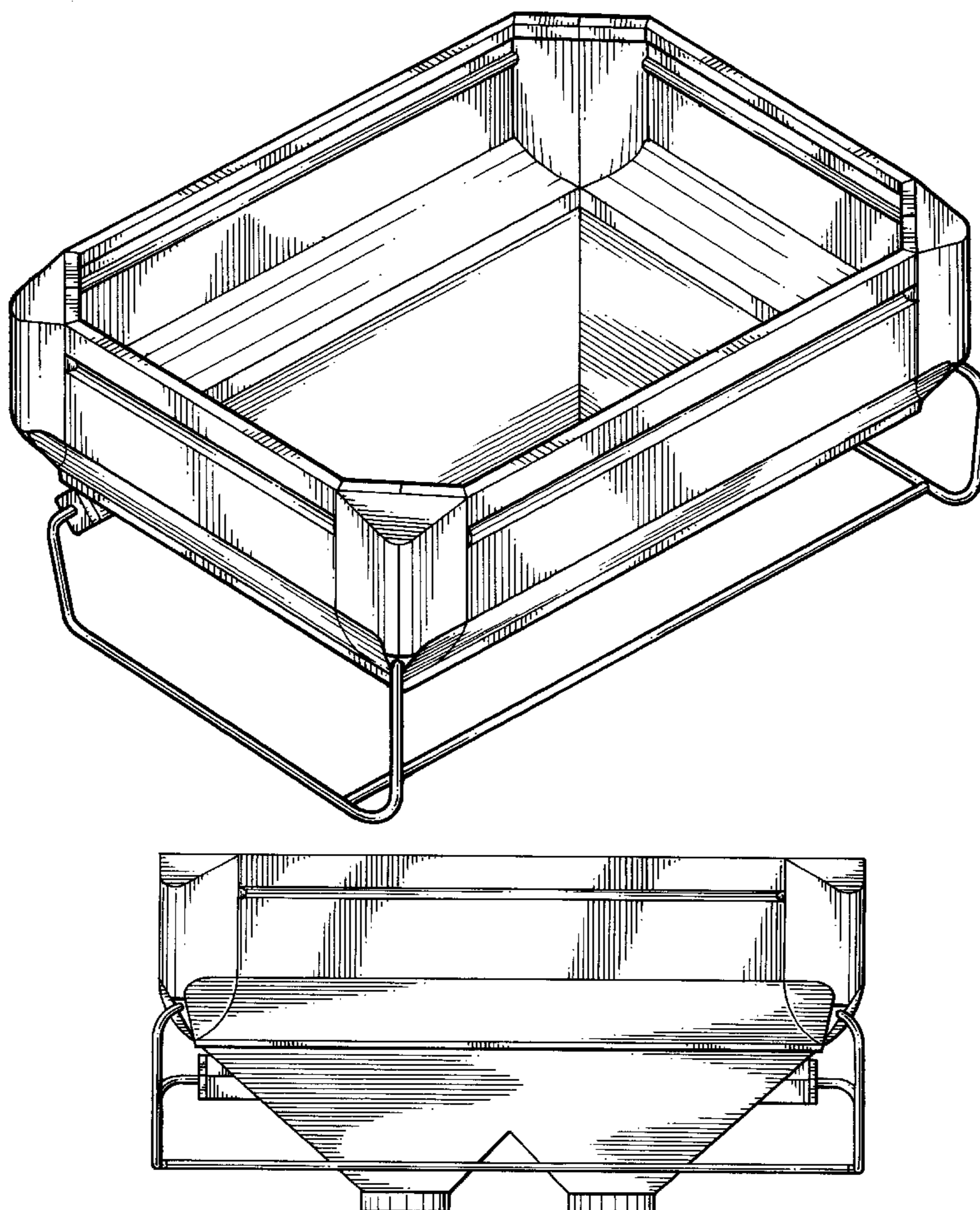
[57] **CLAIM**

We claim the ornamental design for a hopper for granulated materials, as shown.

DESCRIPTION

FIG. 1 is perspective view of a hopper for granulated materials in accordance with the invention; FIG. 2 is side elevational view of the invention; FIG. 3 is an elevational view of the other side of the invention; FIG. 4 is a front elevational view of the invention; FIG. 5 is a rear elevational view of the invention; FIG. 6 is a top plan view of the invention; and, FIG. 7 is a bottom view of the invention.

1 Claim, 4 Drawing Sheets



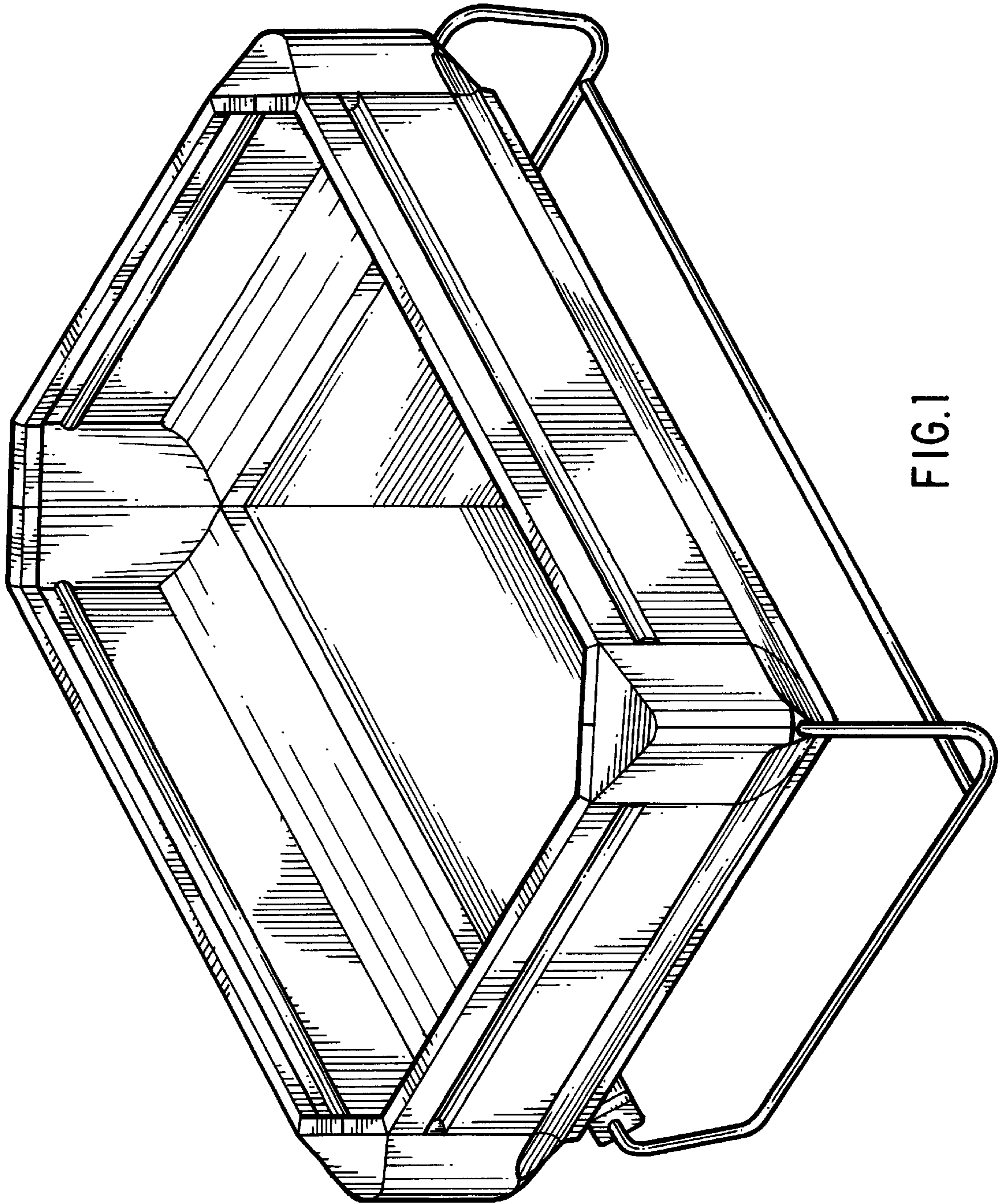


FIG. 1

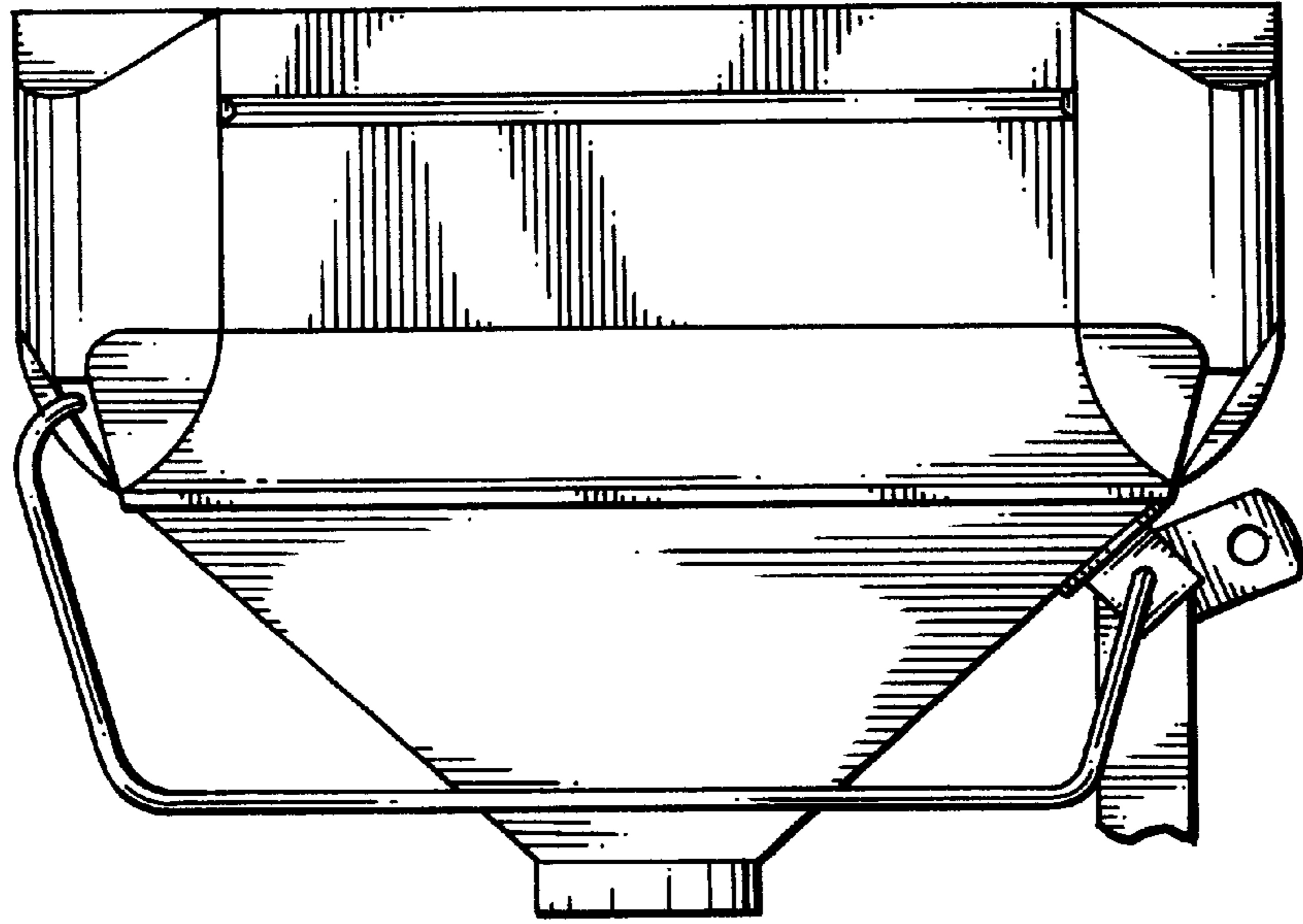


FIG. 2

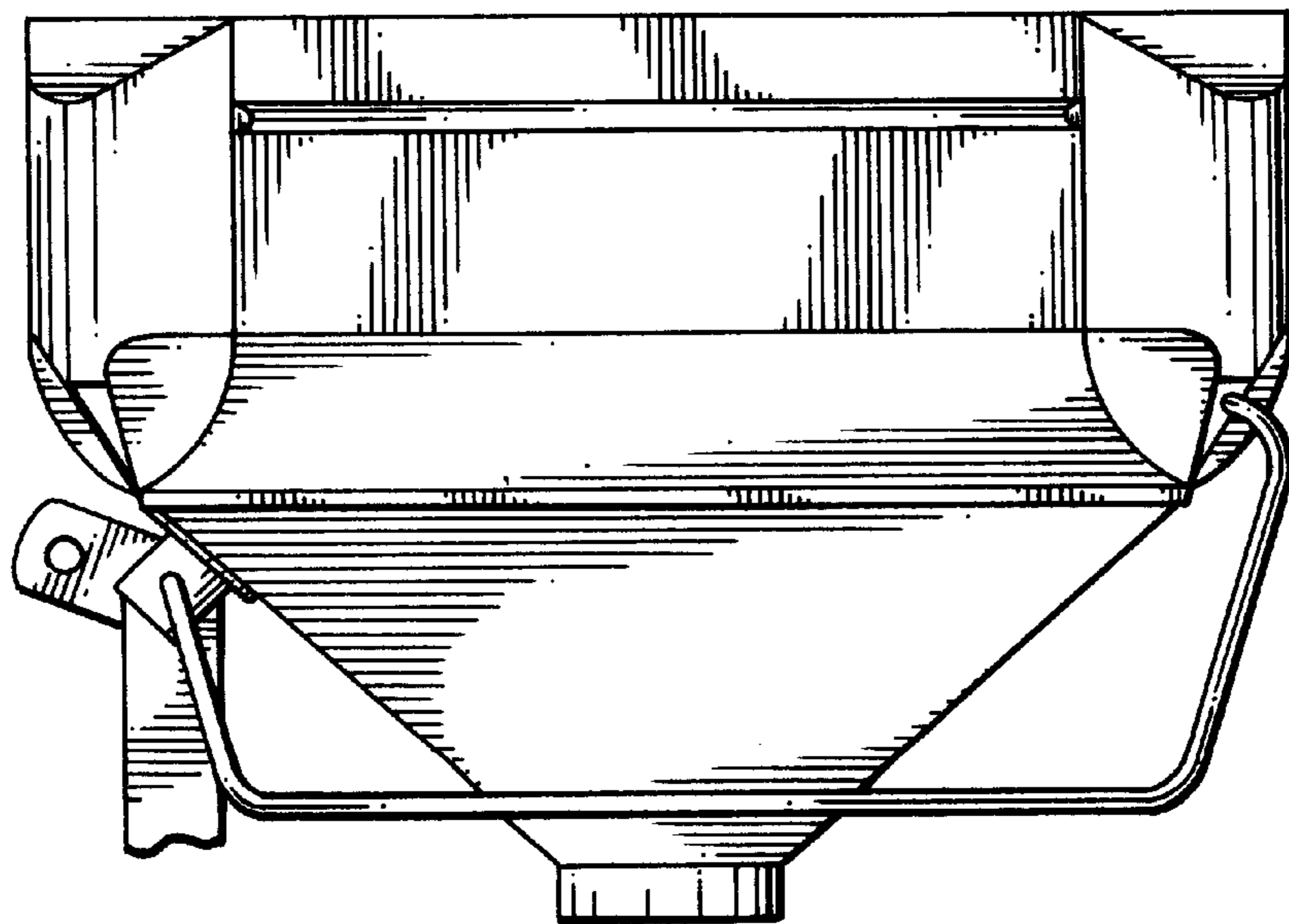


FIG. 3

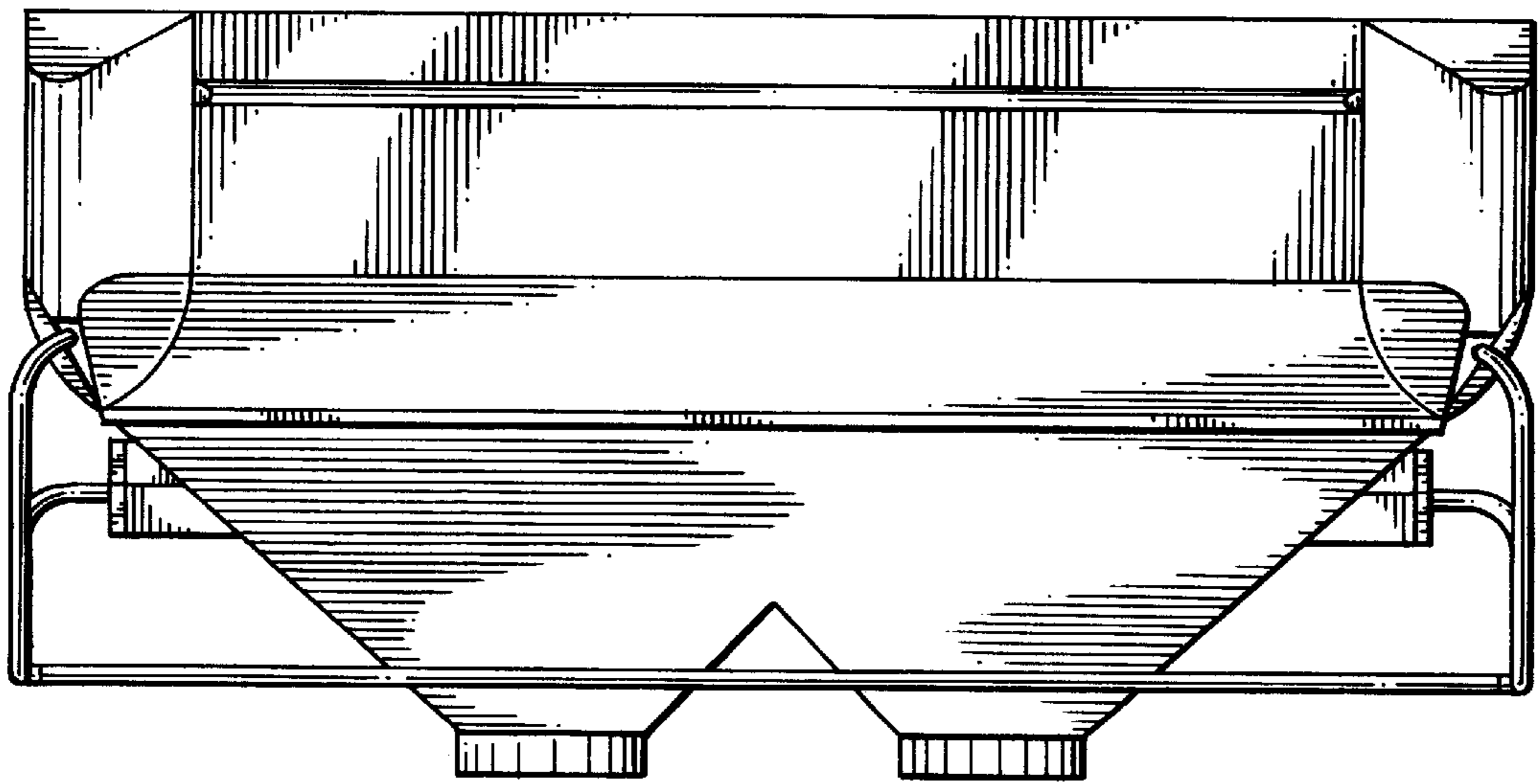


FIG. 4

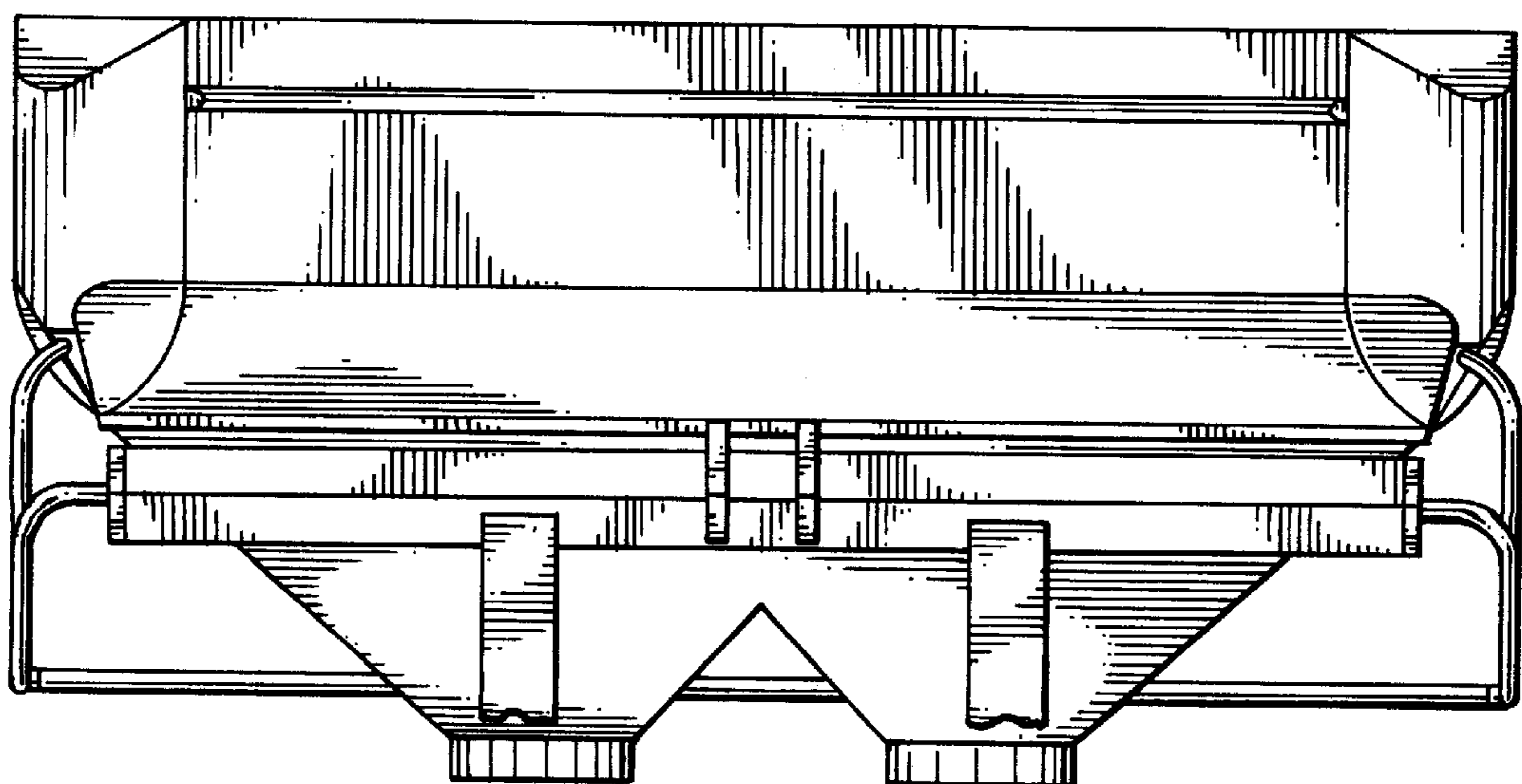


FIG. 5

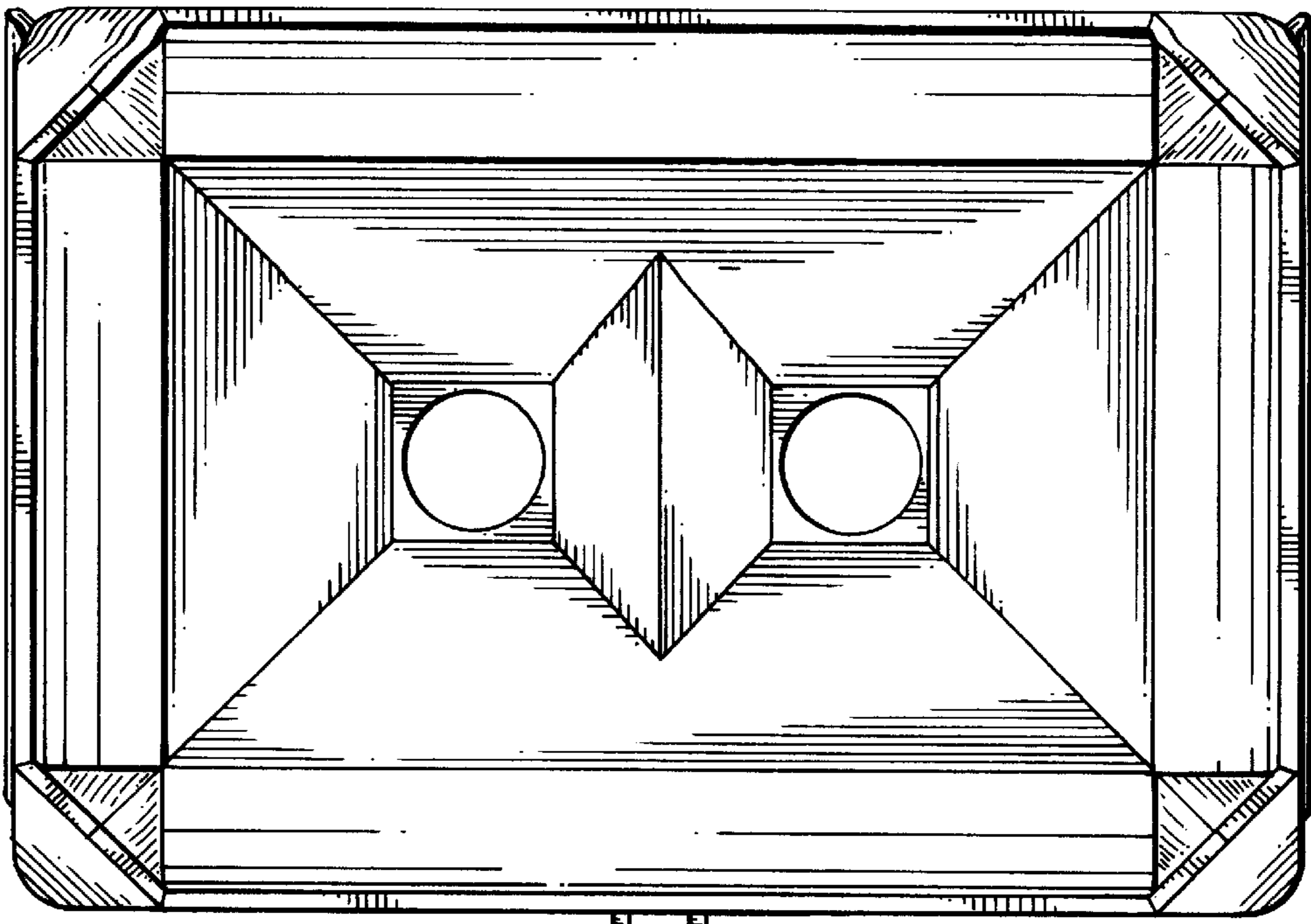


FIG. 6

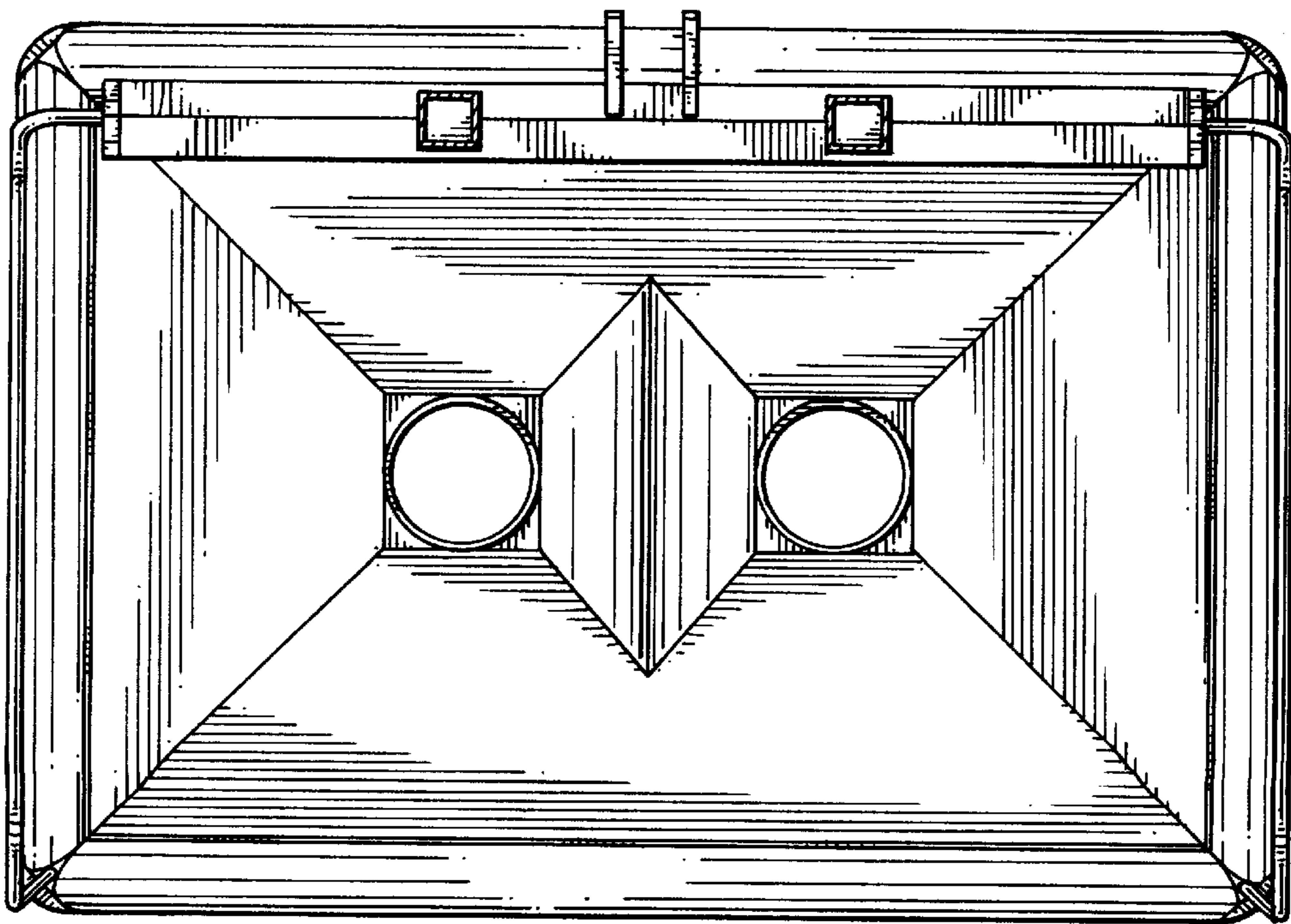


FIG. 7