



US00D431884S

# United States Patent [19] Moreno

[11] Patent Number: Des. 431,884

[45] Date of Patent: \*\* Oct. 10, 2000

[54] MOBILE DOG HOUSE

[76] Inventor: **Raul M Moreno**, 5601 Bandera Rd.  
#131, San Antonio, Tex. 78238

[\*\*] Term: **14 Years**

[21] Appl. No.: **29/098,220**

[22] Filed: **Dec. 24, 1998**

[51] LOC (7) Cl. .... **30-02**

[52] U.S. Cl. .... **D30/108; 30/2**

[58] Field of Search ..... D30/108, 109,  
D30/114, 116, 117, 118, 161, 112, 110,  
111, 113; 119/416, 436, 452-453, 482,  
496, 502, 516, 28.5, 161-170, 459, 428,  
429, 500

[56] **References Cited**

**U.S. PATENT DOCUMENTS**

|            |         |           |       |         |
|------------|---------|-----------|-------|---------|
| D. 292,033 | 9/1987  | Margolis  | ..... | D30/112 |
| D. 299,565 | 1/1989  | Hsu       | ..... | D30/102 |
| D. 317,518 | 6/1991  | Kohus     | ..... | D30/109 |
| D. 331,131 | 11/1992 | Quillen   | ..... | D30/109 |
| D. 333,709 | 3/1993  | Warren    | ..... | D30/158 |
| D. 335,965 | 6/1993  | Spring    | ..... | D30/108 |
| D. 353,030 | 11/1994 | Fernandez | ..... | D30/110 |
| D. 376,225 | 12/1996 | Hauck     | ..... | D30/109 |
| D. 386,837 | 11/1997 | Johnson   | ..... | D30/124 |
| D. 397,523 | 8/1998  | Ray       | ..... | D30/108 |

|           |         |               |       |         |
|-----------|---------|---------------|-------|---------|
| 2,769,426 | 11/1956 | Bromley       | ..... | D30/110 |
| 2,821,165 | 1/1958  | Wright        | ..... | 119/500 |
| 4,416,493 | 11/1983 | Sumner        | ..... | 119/452 |
| 4,763,607 | 8/1988  | Tominaga      | ..... | 119/452 |
| 5,113,793 | 5/1992  | Leader et al. | ..... | 119/453 |
| 5,327,852 | 7/1994  | Gingrich      | ..... | 119/453 |
| 5,467,734 | 11/1995 | Ho            | ..... | 119/497 |
| 5,546,893 | 8/1996  | Stone         | ..... | 119/464 |
| 5,701,843 | 12/1997 | Lazides       | ..... | 119/496 |
| 5,924,381 | 7/1999  | Bloedorn      | ..... | 119/429 |

Primary Examiner—Cathy Anne MacCormac

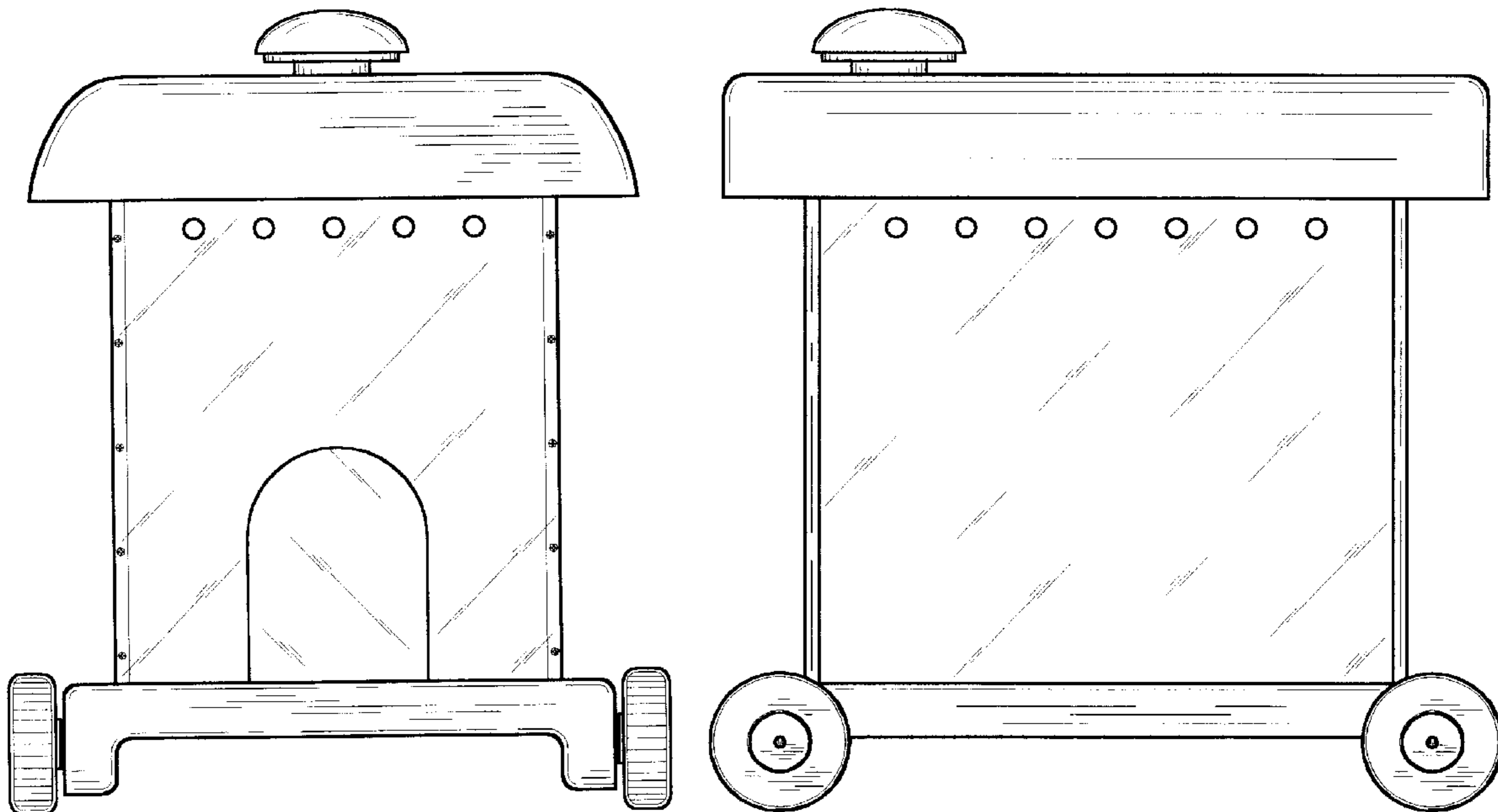
[57] **CLAIM**

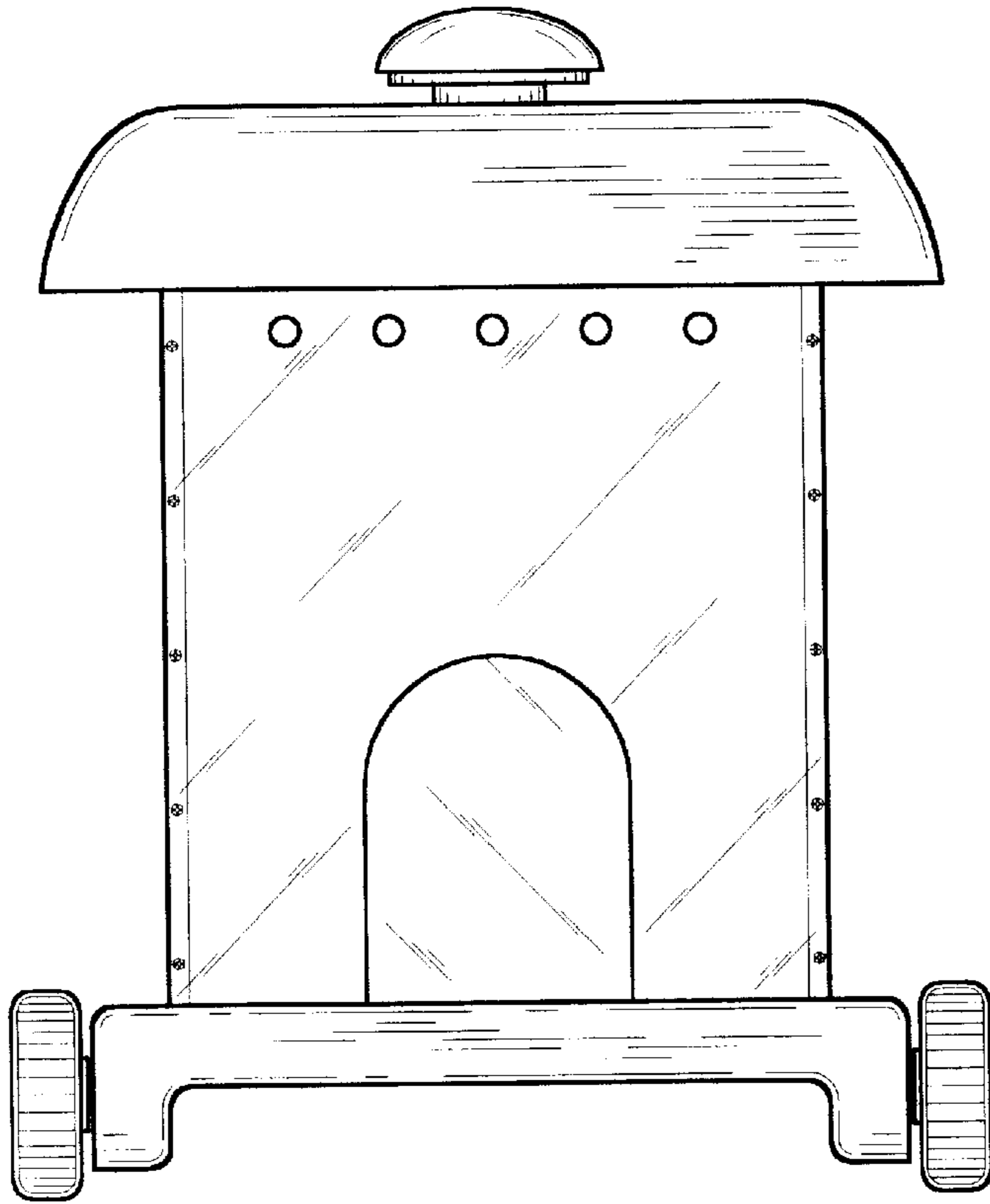
The ornamental design for a mobile dog house, as shown.

**DESCRIPTION**

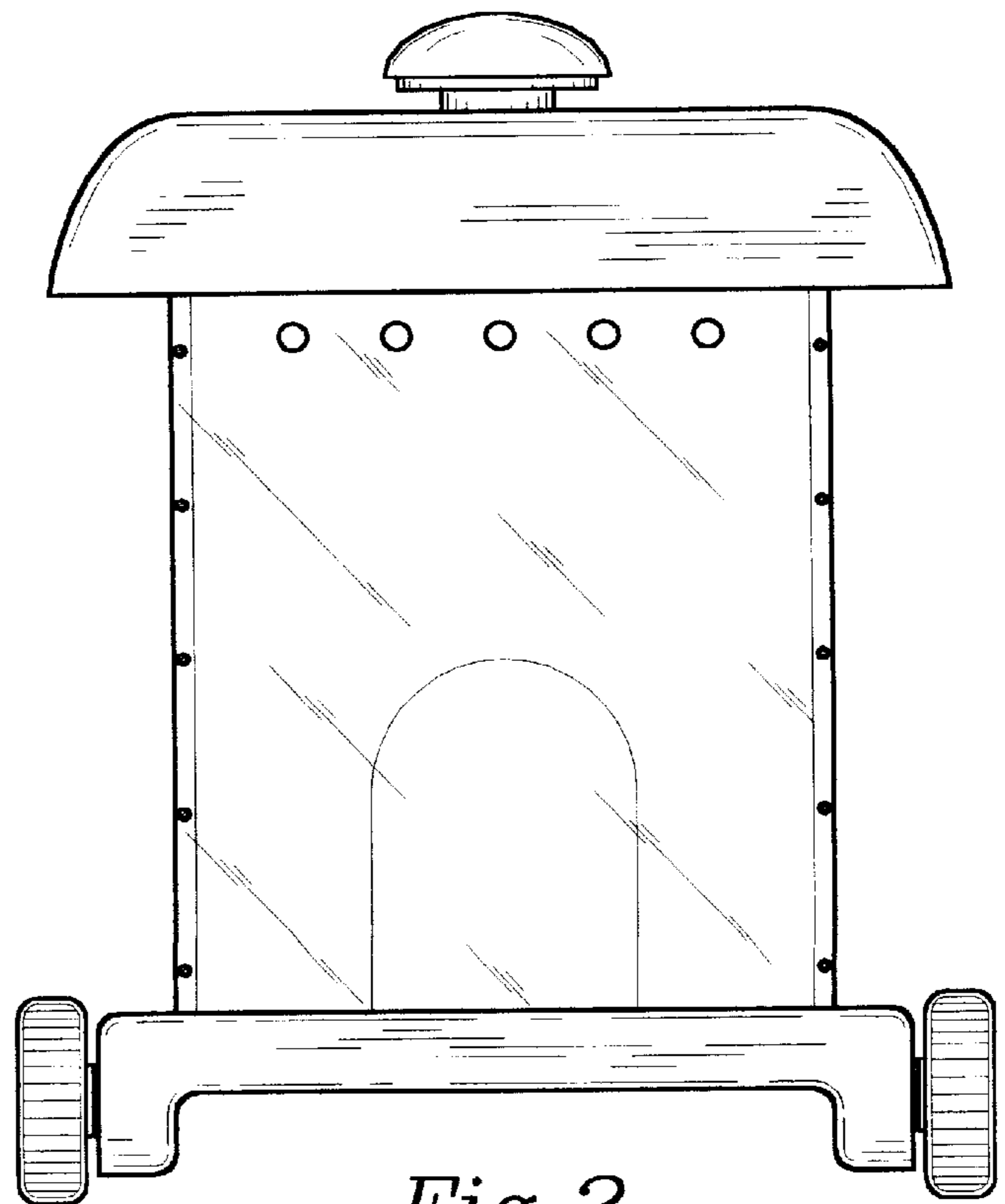
FIG. 1 is a front elevational view of the mobile dog house of the present invention;  
 FIG. 2 is a back elevational view of the mobile dog house of FIG. 1;  
 FIG. 3 is a left side elevational view of the mobile dog house of FIG. 1;  
 FIG. 4 is a right side elevational view of the mobile dog house of FIG. 1;  
 FIG. 5 is a top plan view of the mobile dog house of FIG. 1; and,  
 FIG. 6 is a bottom plan view of the mobile dog house of FIG. 1.

**1 Claim, 3 Drawing Sheets**

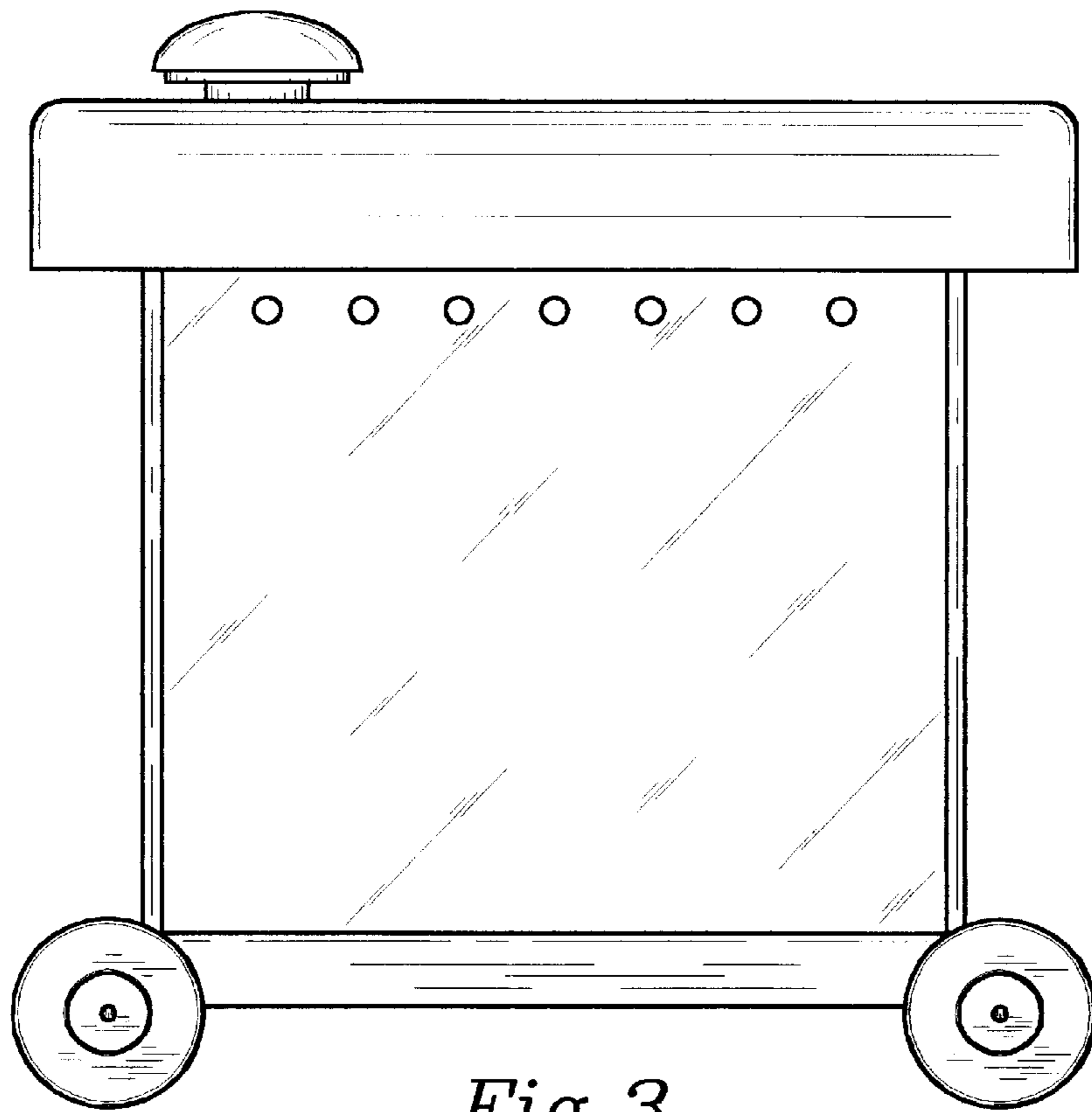




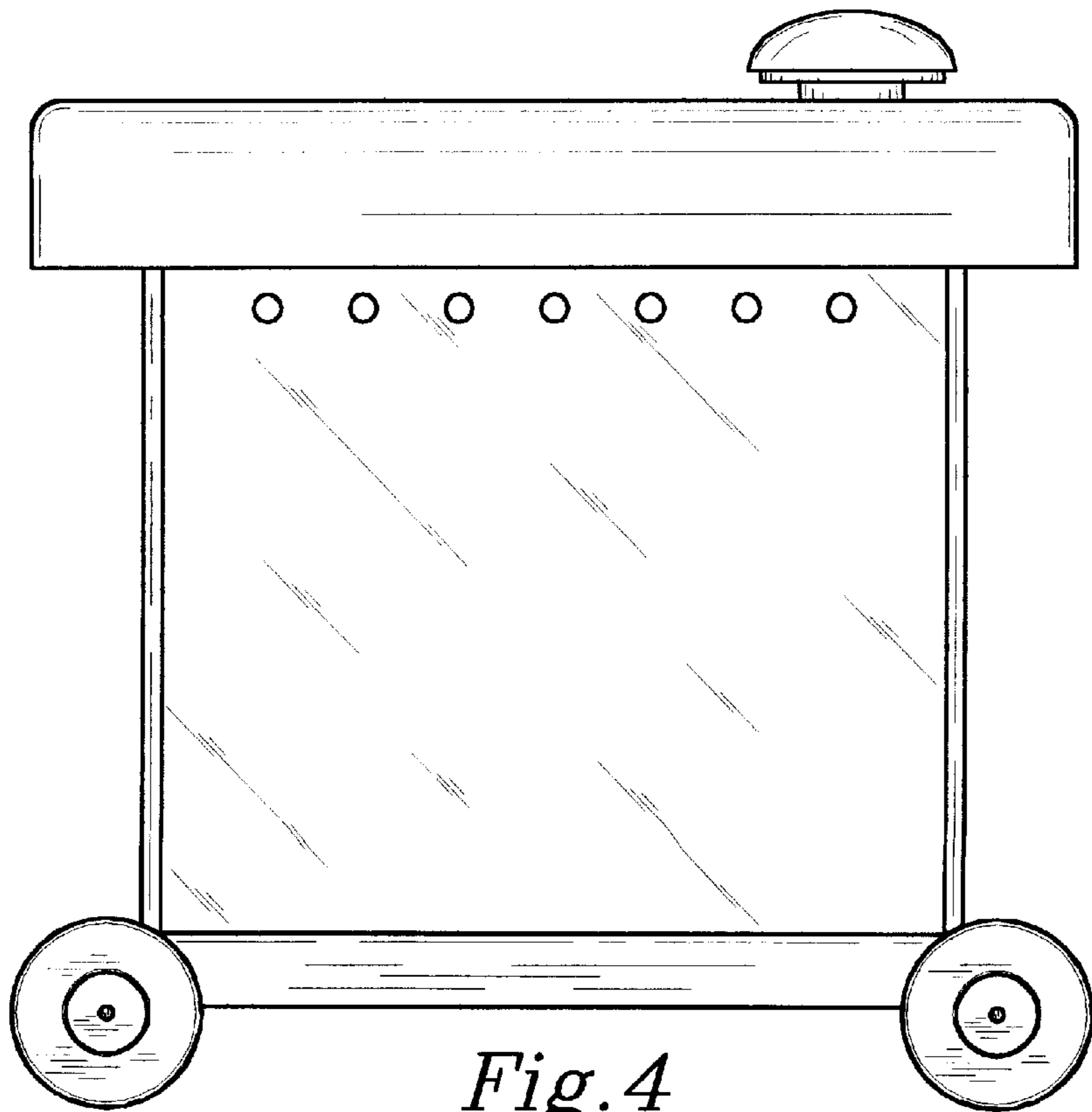
*Fig. 1*



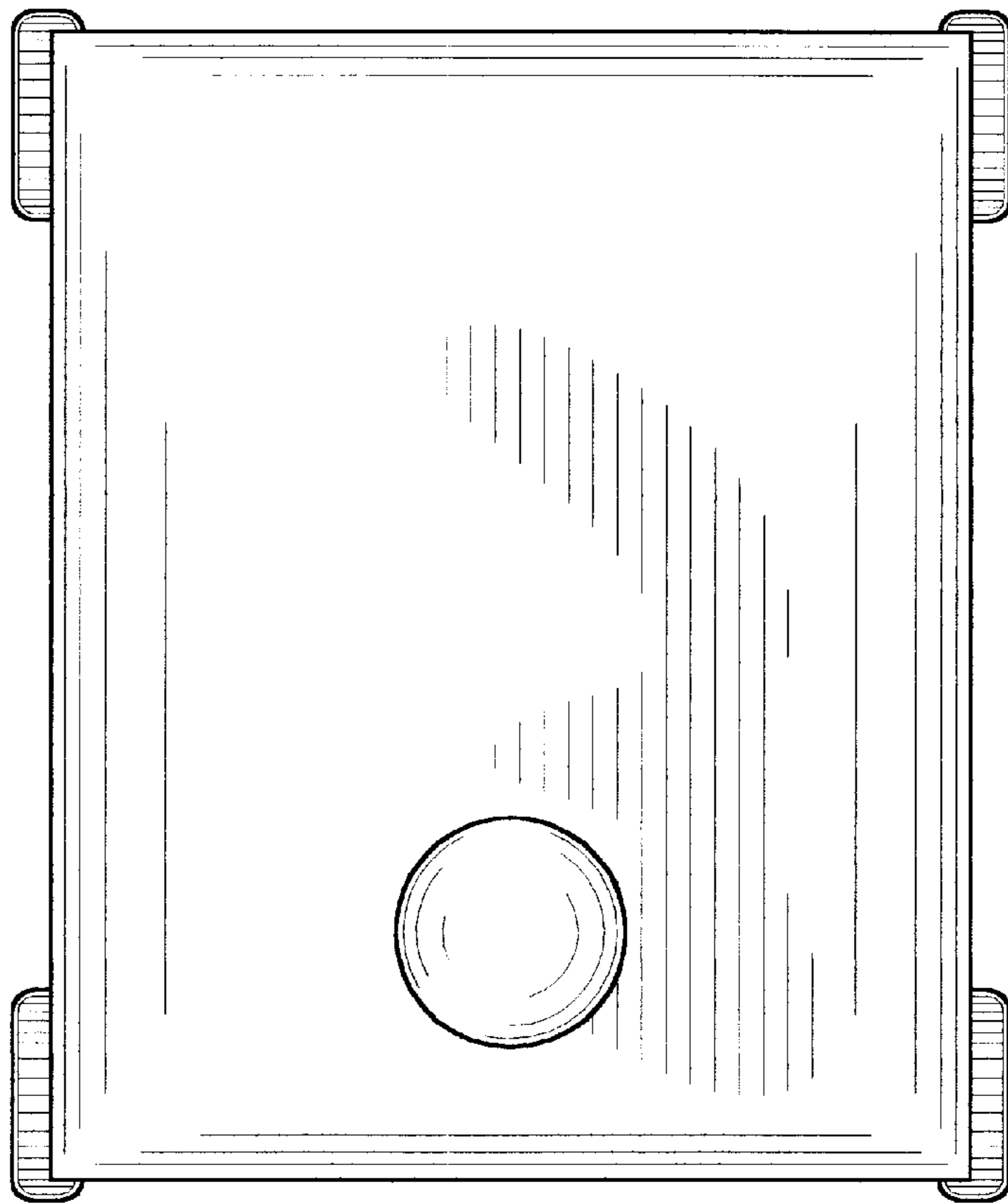
*Fig. 2*



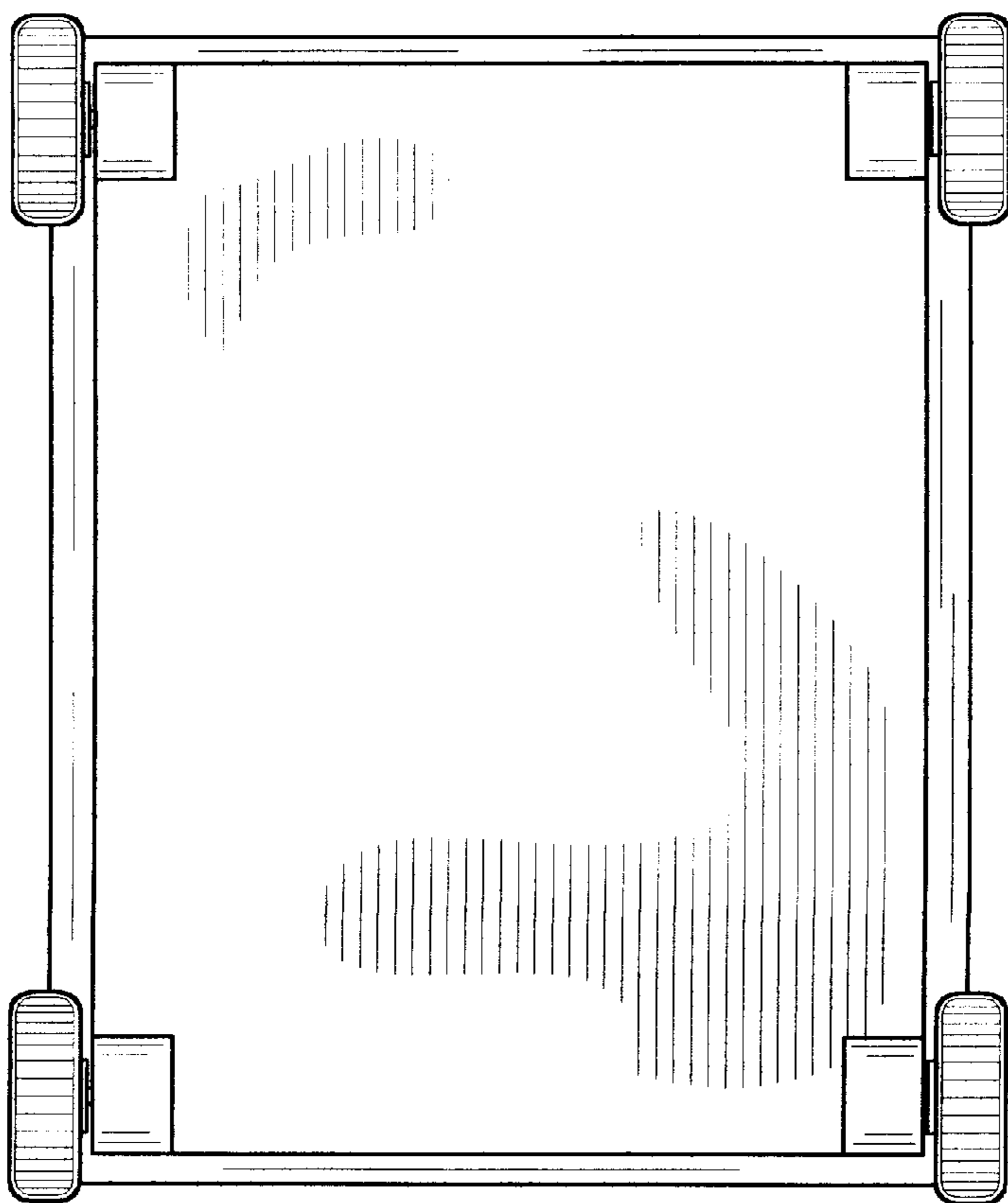
*Fig. 3*



*Fig. 4*



*Fig. 5*



*Fig. 6*