



US00D431875S

United States Patent [19] Gutierrez

[11] Patent Number: Des. 431,875

[45] Date of Patent: ** Oct. 10, 2000

[54] COMBINATION LAMP AND FOUNTAIN

[76] Inventor: Angel Gutierrez, 1872 S. Western Ave.,
Los Angeles, Calif. 90006

[**] Term: 14 Years

[21] Appl. No.: 29/119,761

[22] Filed: Mar. 7, 2000

[51] LOC (7) Cl. 26-05

[52] U.S. Cl. D26/57; D23/201

[58] Field of Search D26/51, 55, 57,
D26/58, 93, 94, 95, 101; D23/201; D7/304,
305; D6/397, 399, 434, 435, 450, 412;
428/19; 160/127, 351; 52/27, 28; 239/17,
18, 211, 289

[56] References Cited

U.S. PATENT DOCUMENTS

D. 233,272 10/1974 King, Jr. D23/201 X
D. 255,391 6/1980 Rosero D26/51

D. 262,505 1/1982 Buchanan et al. D6/434
D. 291,036 7/1987 Scarpa et al. D6/399

Primary Examiner—Alan P. Douglas
Assistant Examiner—Linda Brooks
Attorney, Agent, or Firm—Goldstein & Canino

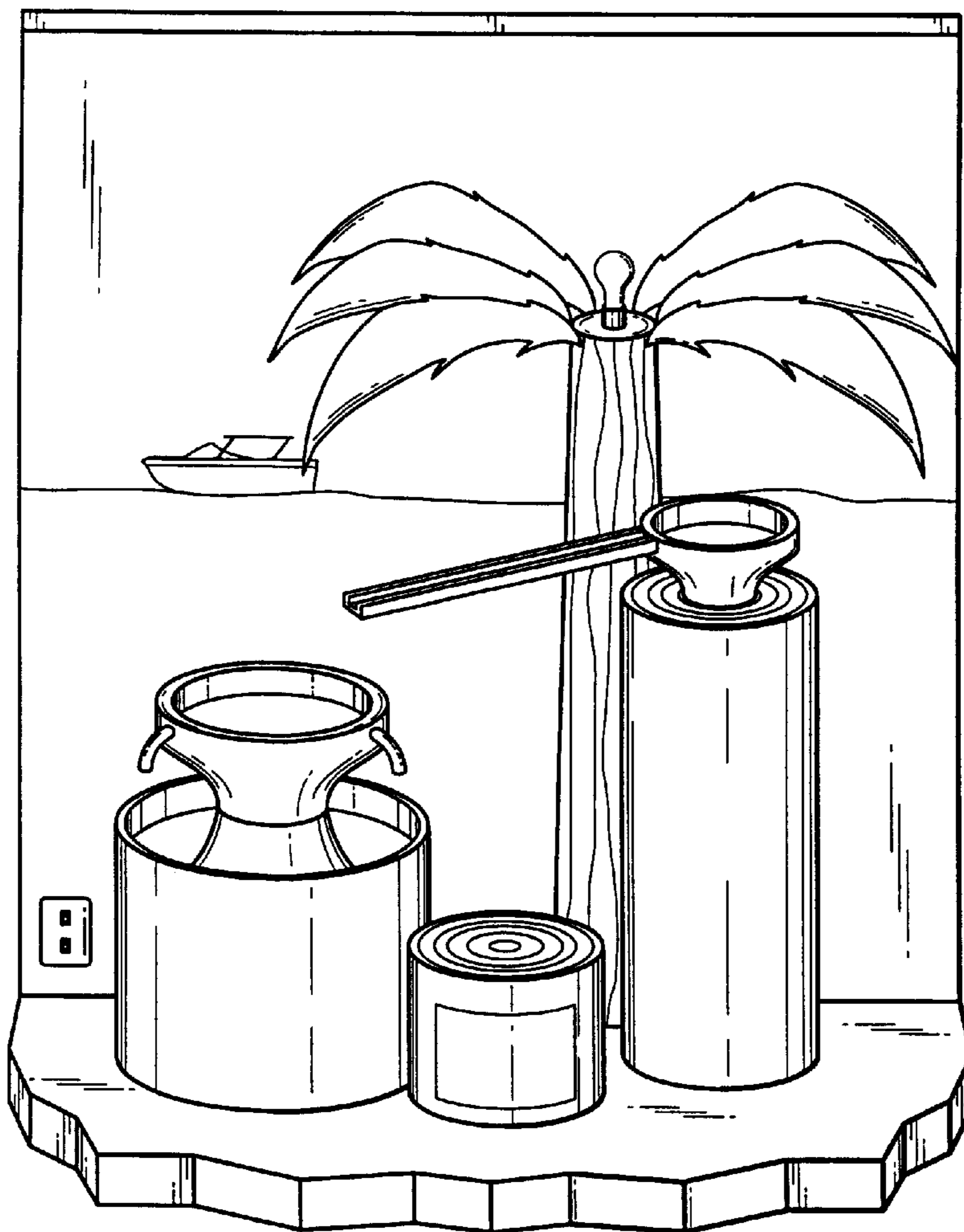
[57] CLAIM

The ornamental deign for a combination lamp and fountain,
as shown and described.

DESCRIPTION

FIG. 1 is a perspective view of a combination lamp and fountain.
FIG. 2 is a front elevational view thereof.
FIG. 3 is a rear elevational view thereof.
FIG. 4 is a left side elevational view thereof.
FIG. 5 is a right side elevational view thereof.
FIG. 6 is a top plan view of the combination lamp and fountain; and,
FIG. 7 is a bottom plan view thereof.

1 Claim, 3 Drawing Sheets



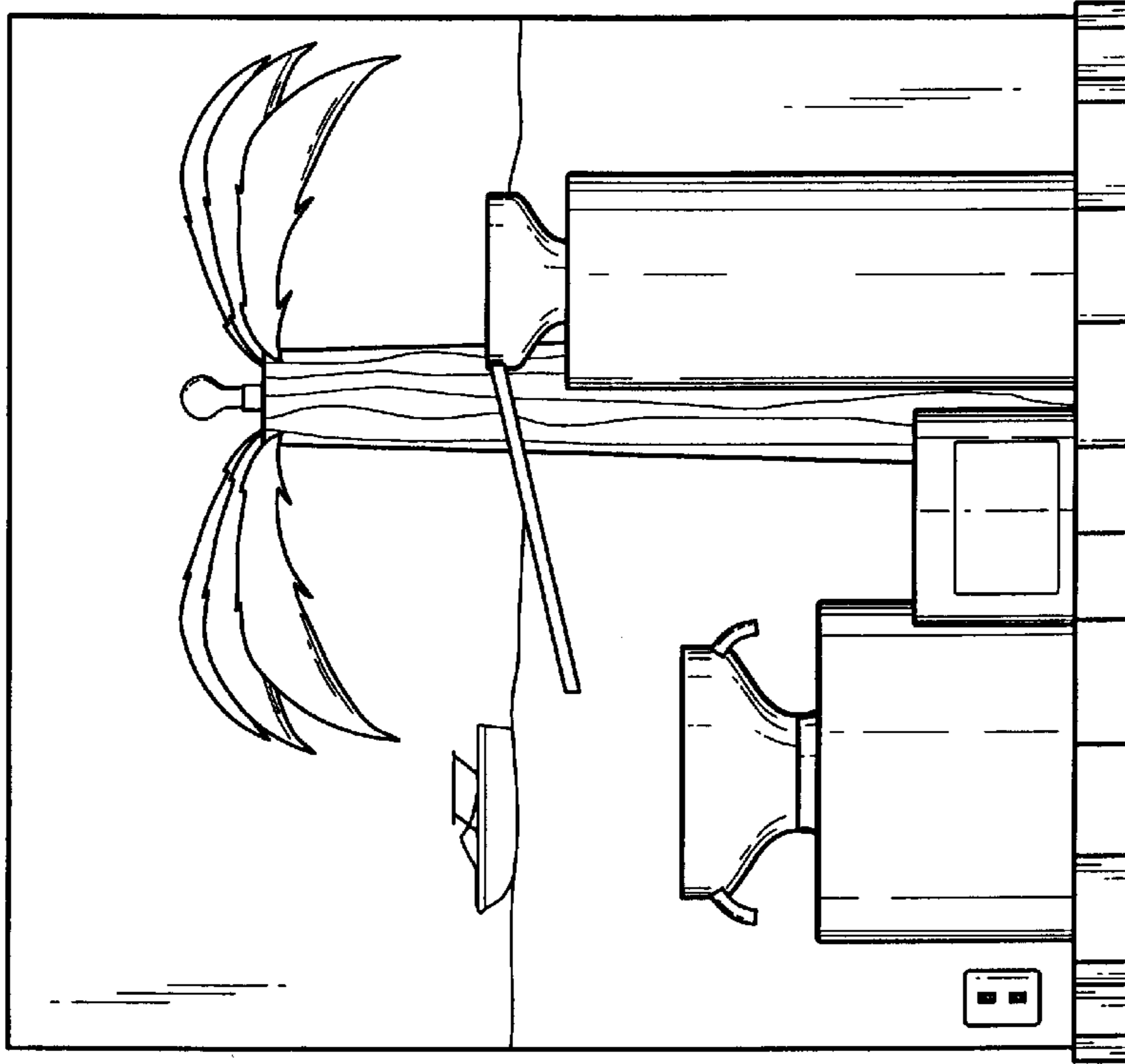


FIG. 1

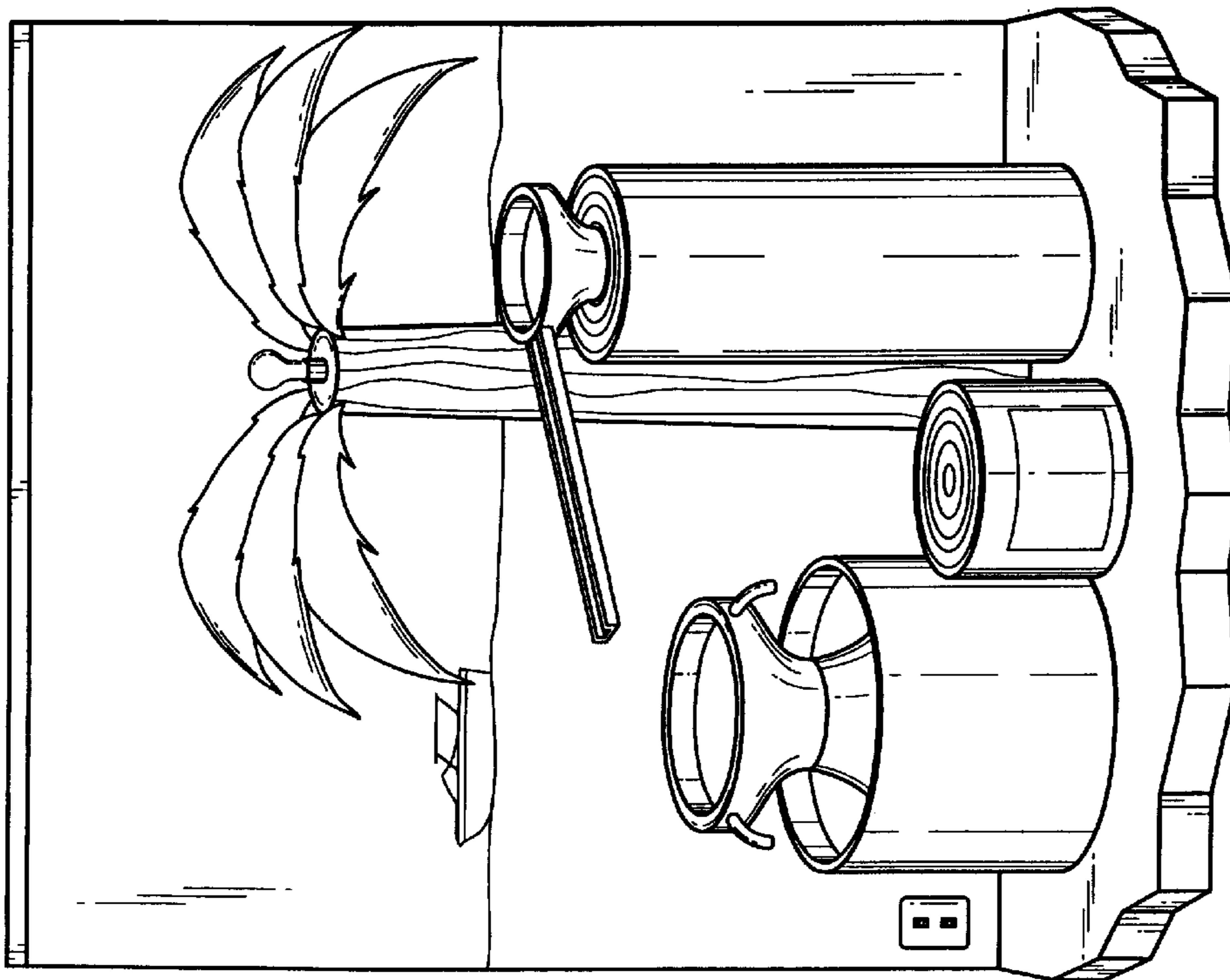


FIG. 2

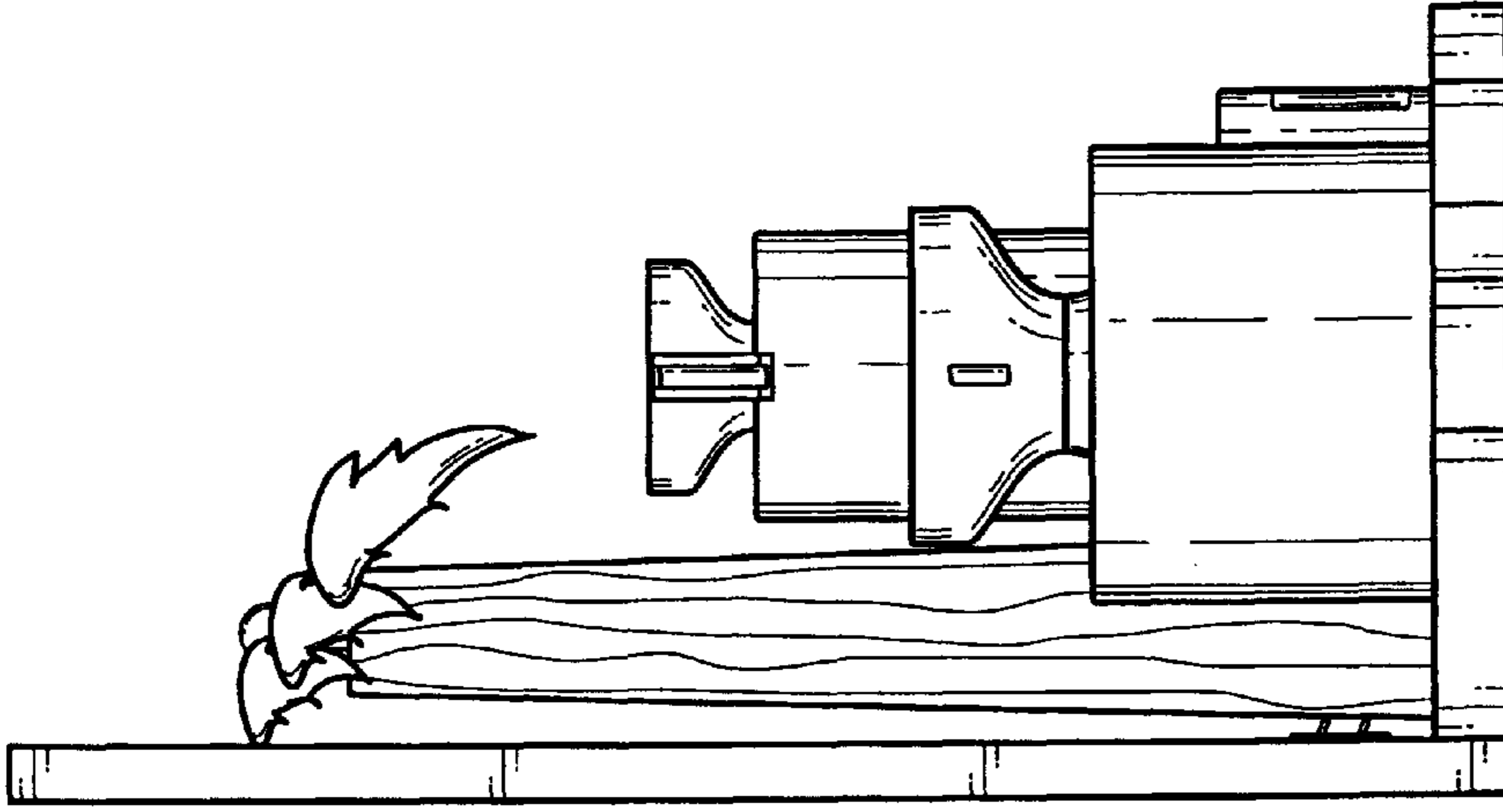


FIG. 4

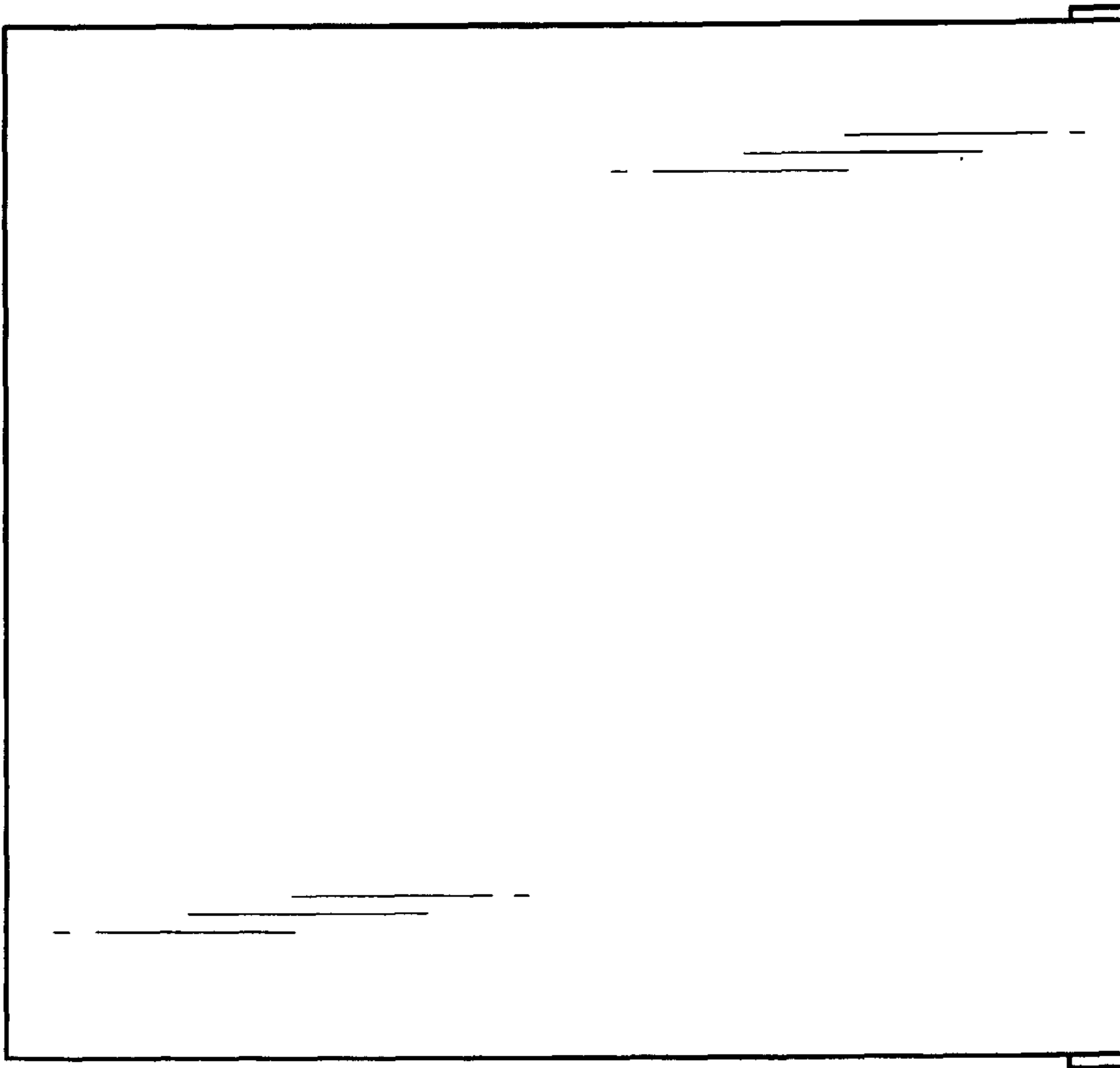


FIG. 3

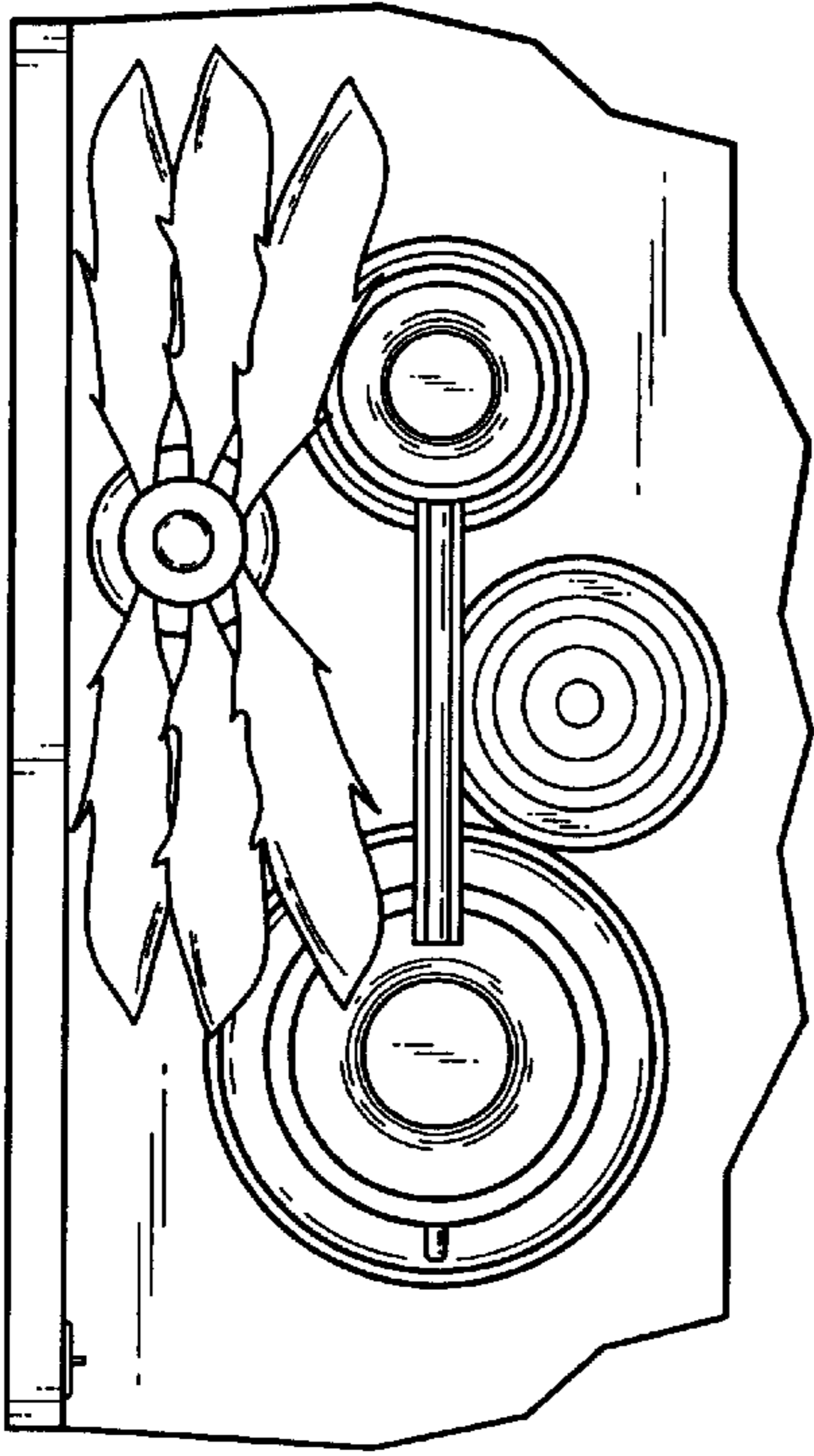


FIG. 6

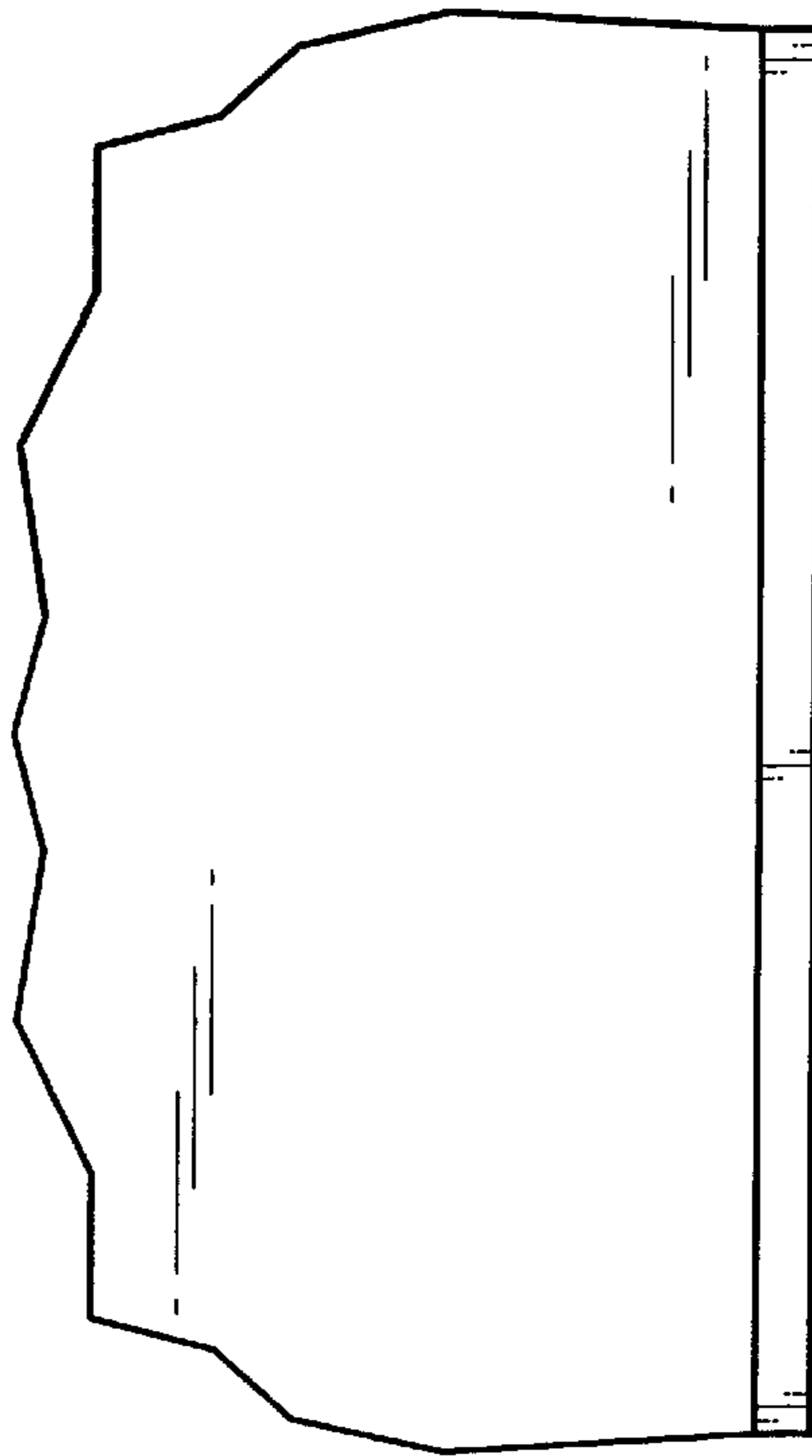


FIG. 7

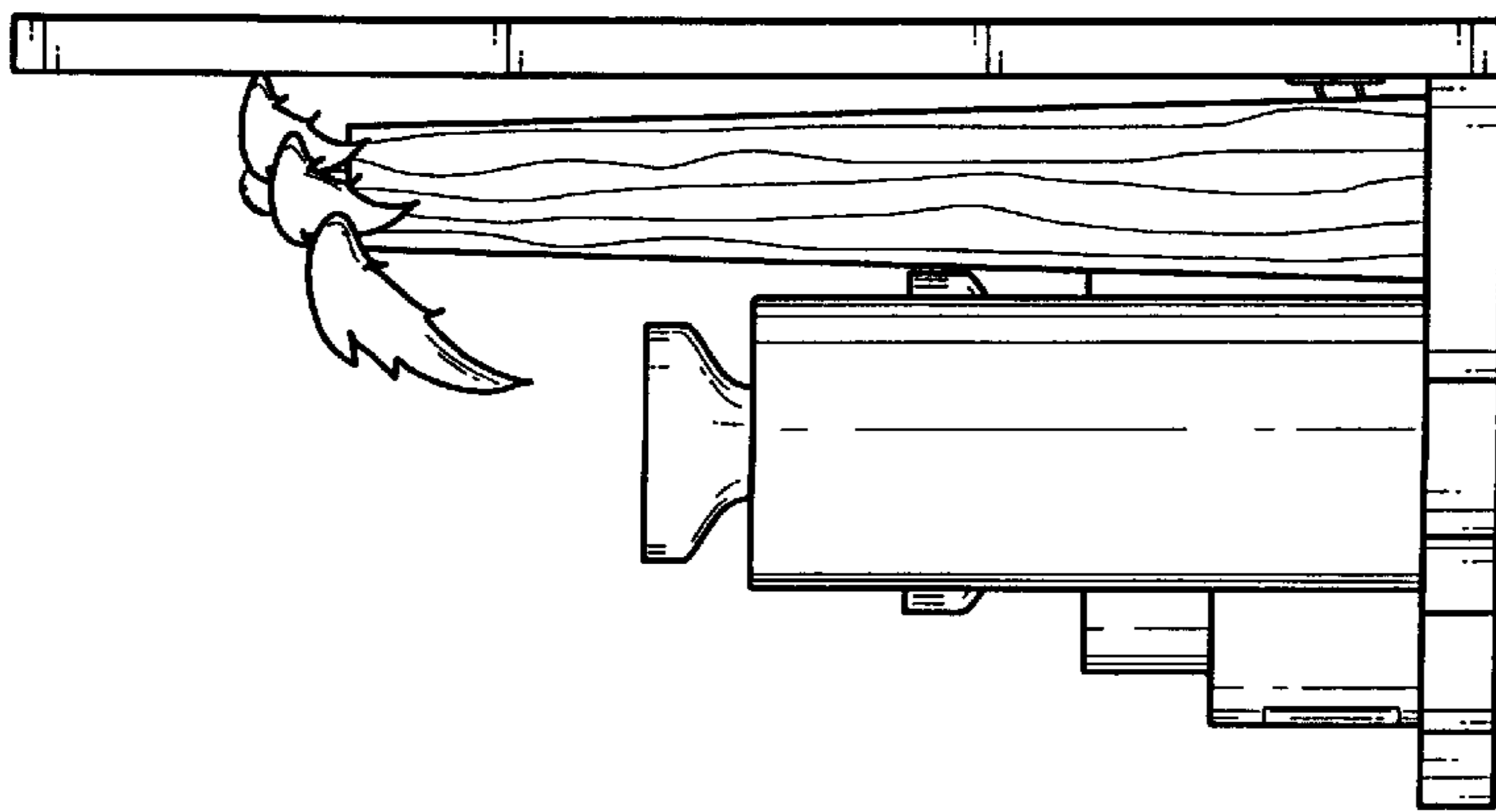


FIG. 5