



US00D431874S

# United States Patent [19] Burns

[11] Patent Number: **Des. 431,874**

[45] Date of Patent: **\*\* Oct. 10, 2000**

[54] FLASHLIGHT

[75] Inventor: **Bruce Burns**, Lake Oswego, Oreg.

[73] Assignee: **Burns Bros., Inc.**, Lake Oswego, Oreg.

[\*\*] Term: **14 Years**

[21] Appl. No.: **29/116,443**

[22] Filed: **Jan. 4, 2000**

[51] LOC (7) Cl. .... **26-02**

[52] U.S. Cl. .... **D26/49**

[58] Field of Search ..... D26/37-50; 362/157,  
362/158, 183-208

### [56] References Cited

#### U.S. PATENT DOCUMENTS

D. 331,982	12/1992	George	.....	D26/49
D. 335,192	4/1993	Abel	.....	D26/49
D. 367,935	3/1996	Burns	.....	D26/49
D. 417,023	11/1999	Yang	.....	D26/49
D. 420,157	2/2000	Garrity et al.	.....	D26/49

*Primary Examiner*—Marcus A. Jackson  
*Attorney, Agent, or Firm*—Vorys, Sater, Seymour and Pease LLP

### [57] CLAIM

The ornamental design for a flashlight, as shown and described.

### DESCRIPTION

FIG. 1 is a bottom plan view of a flashlight showing my new

design;  
 FIG. 2 is a top plan view thereof;  
 FIG. 3 is a side elevational view thereof, the opposite side being a mirror image;  
 FIG. 4 is a rear elevational view thereof;  
 FIG. 5 is a front elevational view thereof;  
 FIG. 6 is a perspective view thereof;  
 FIG. 7 is a bottom plan view of a second embodiment, differing in size and proportions from the embodiment of FIG. 1;  
 FIG. 8 is a top plan view of the embodiment of FIG. 7;  
 FIG. 9 is a side elevational view of the embodiment of FIG. 7, the opposite side being a mirror image;  
 FIG. 10 is a rear elevational view of the embodiment of FIG. 7;  
 FIG. 11 is a front elevational view of the embodiment of FIG. 7;  
 FIG. 12 is a perspective view of the embodiment of FIG. 7;  
 FIG. 13 is a bottom plan view of a third embodiment, differing in size and proportions from the embodiments of FIGS. 1 and 7;  
 FIG. 14 is a top plan view of the embodiment of FIG. 13;  
 FIG. 15 is a side elevational view of the embodiment of FIG. 13, the opposite side being a mirror image;  
 FIG. 16 is a rear elevational view of the embodiment of FIG. 13;  
 FIG. 17 is a front elevational view of the embodiment of FIG. 13; and,  
 FIG. 18 is a perspective view of the embodiment of FIG. 13.

1 Claim, 15 Drawing Sheets

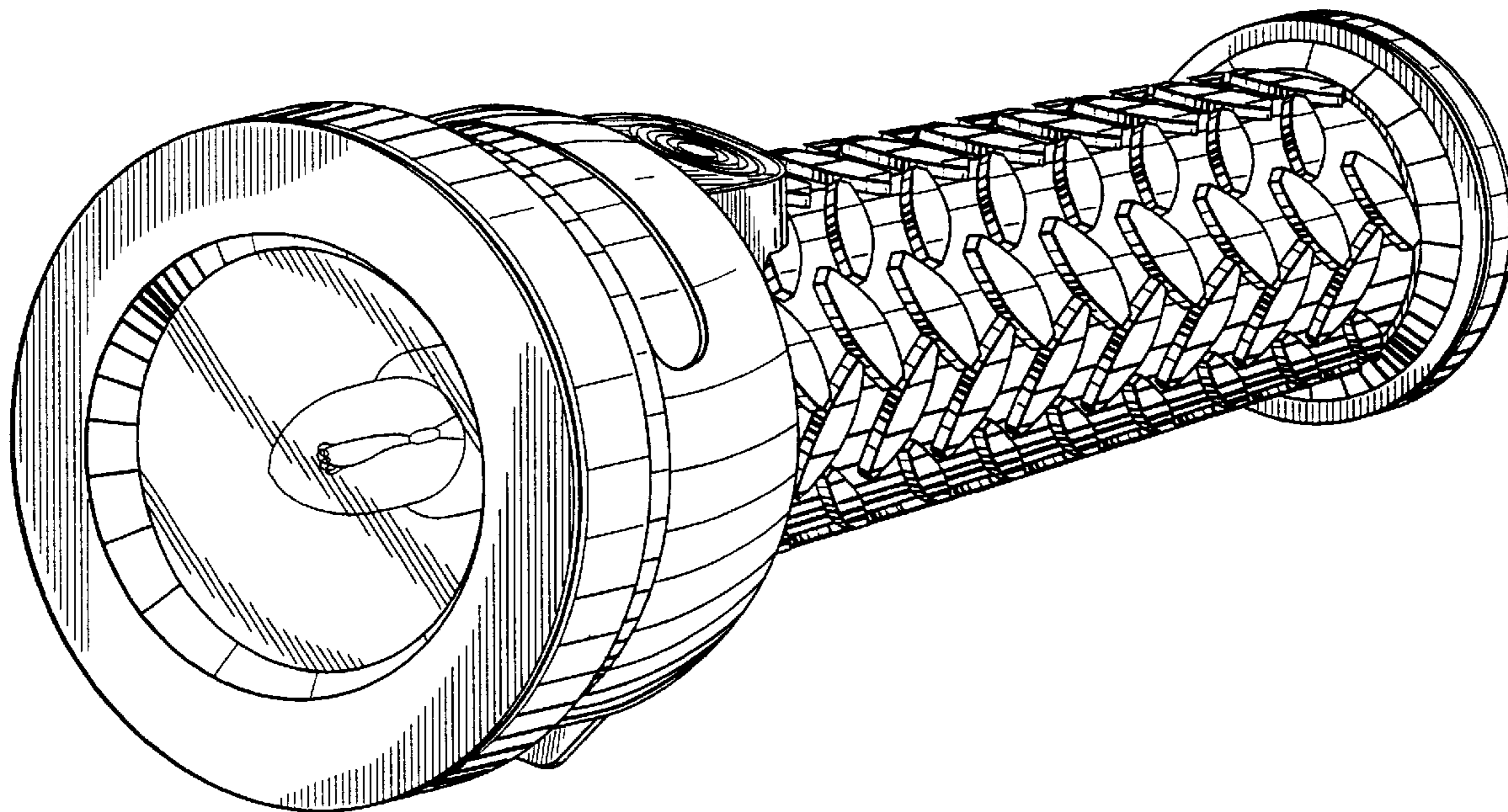


FIG. 1

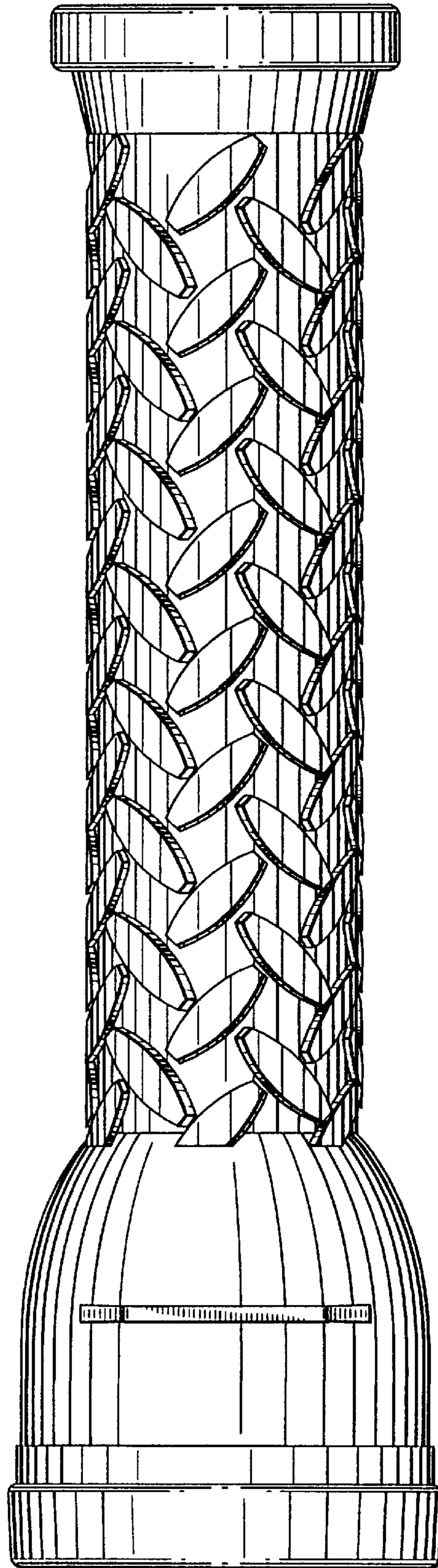


FIG. 2

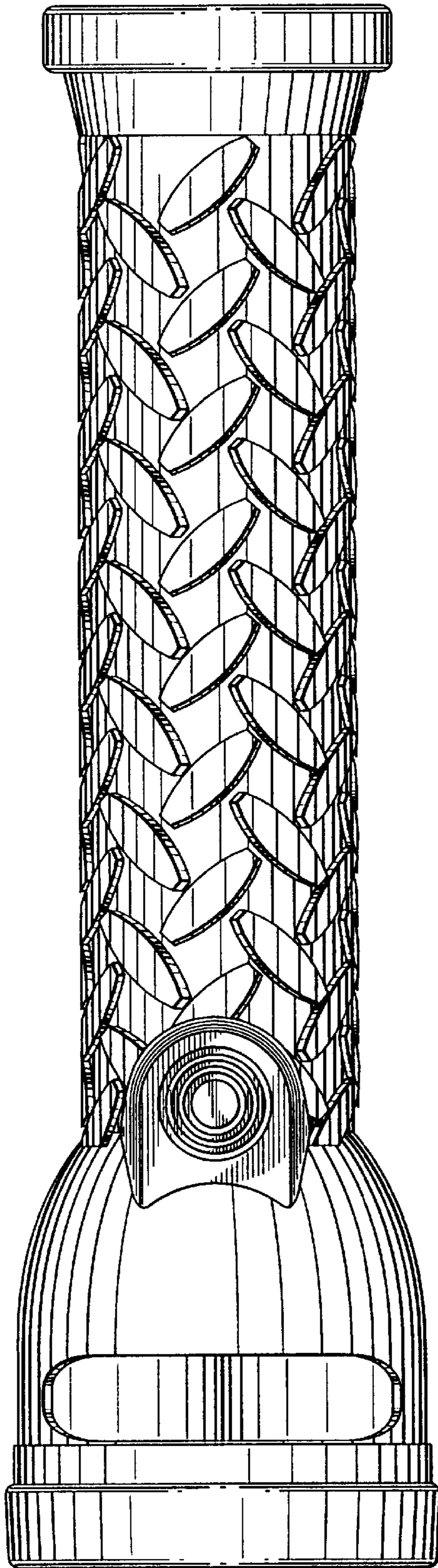
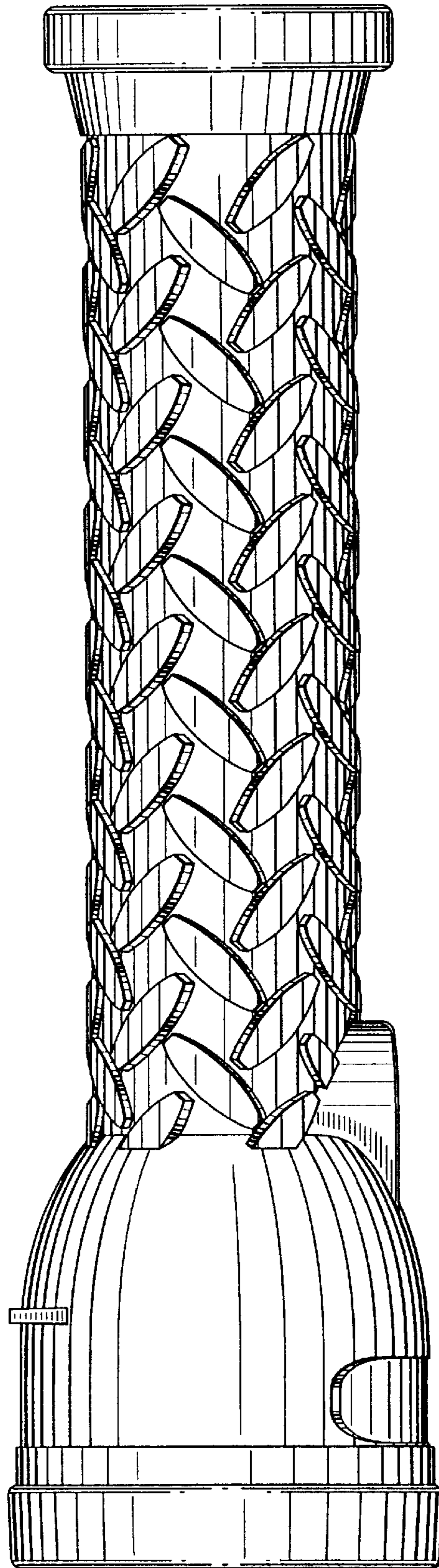
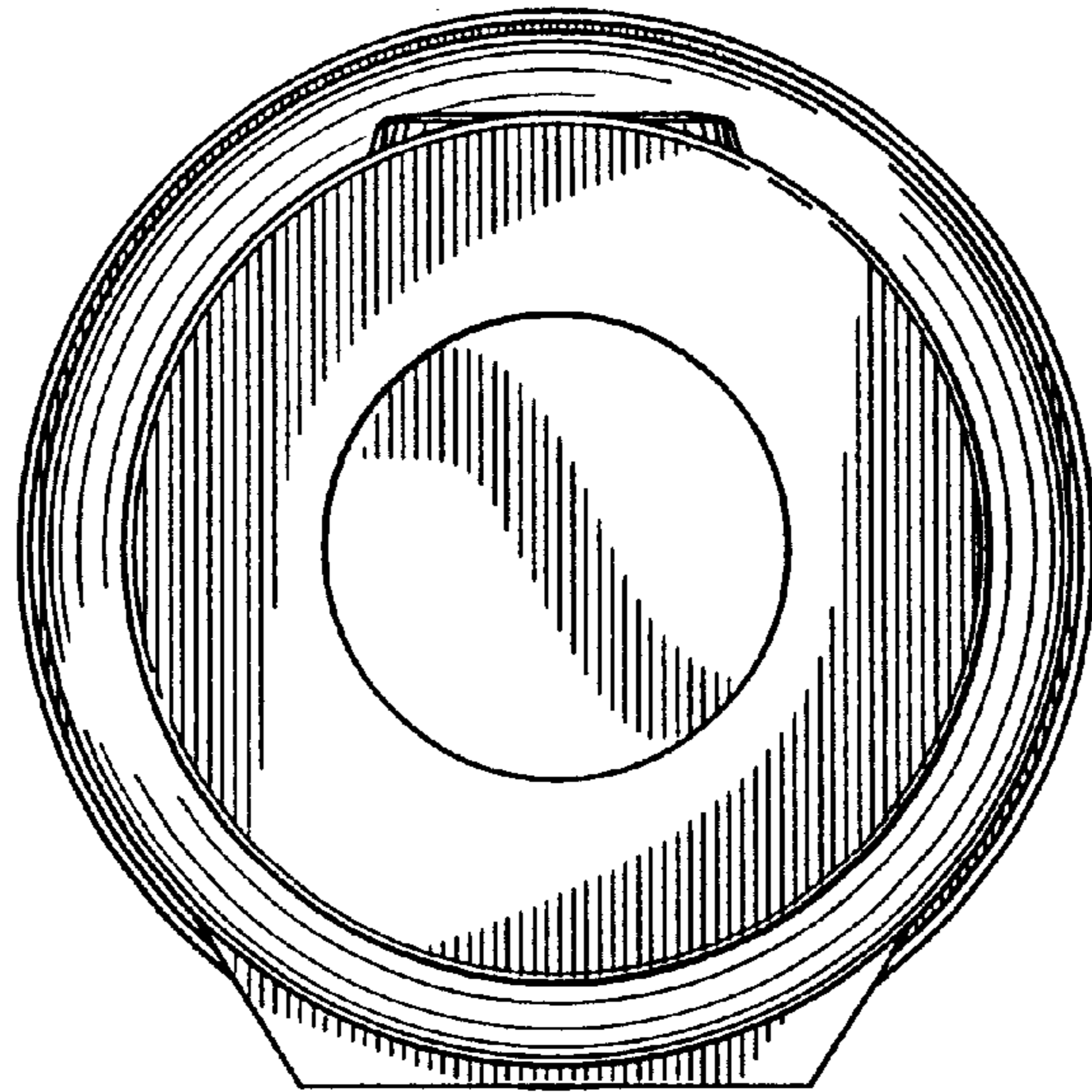




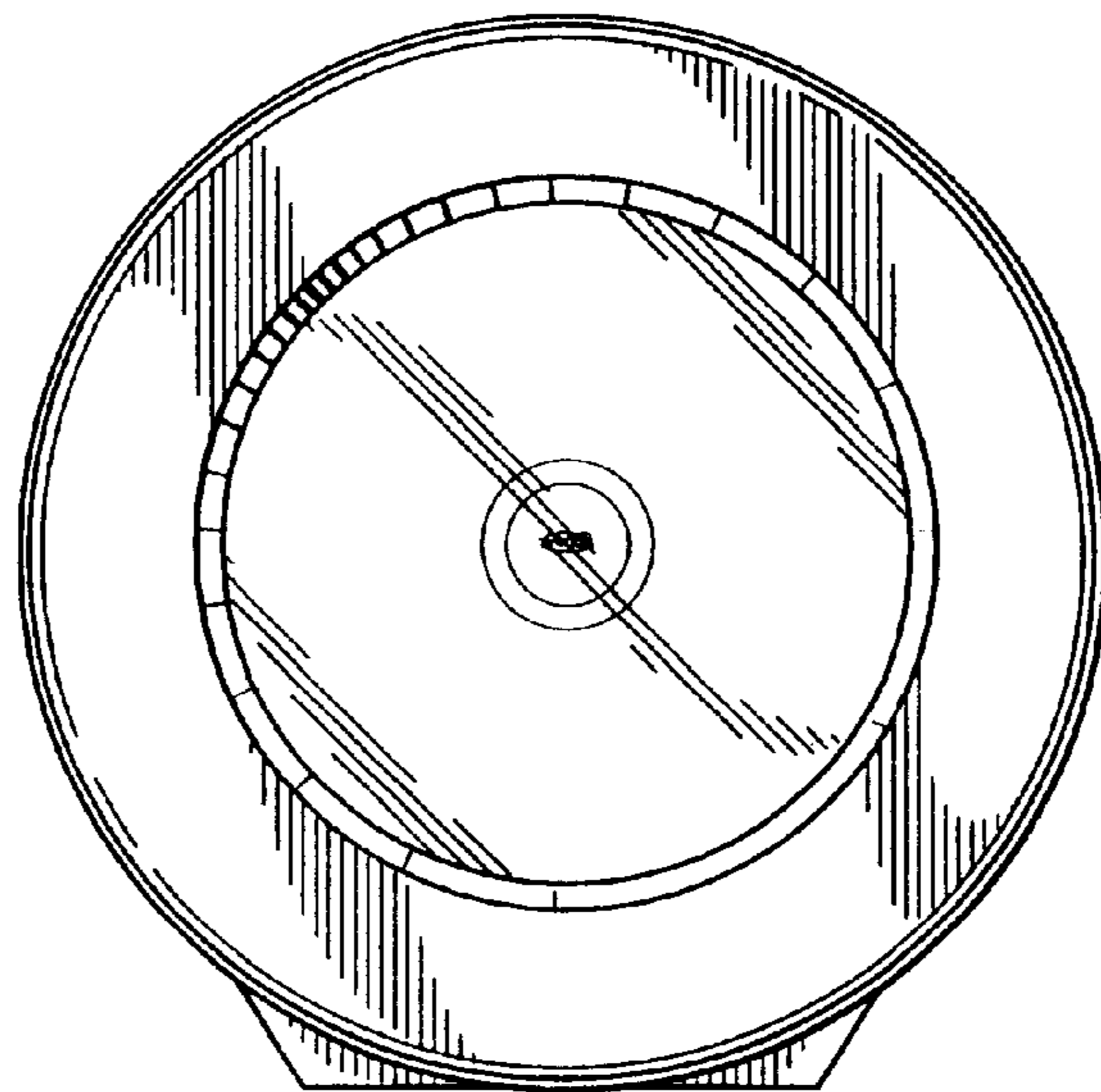
FIG. 3



**FIG. 4**



**FIG. 5**



**FIG. 6**

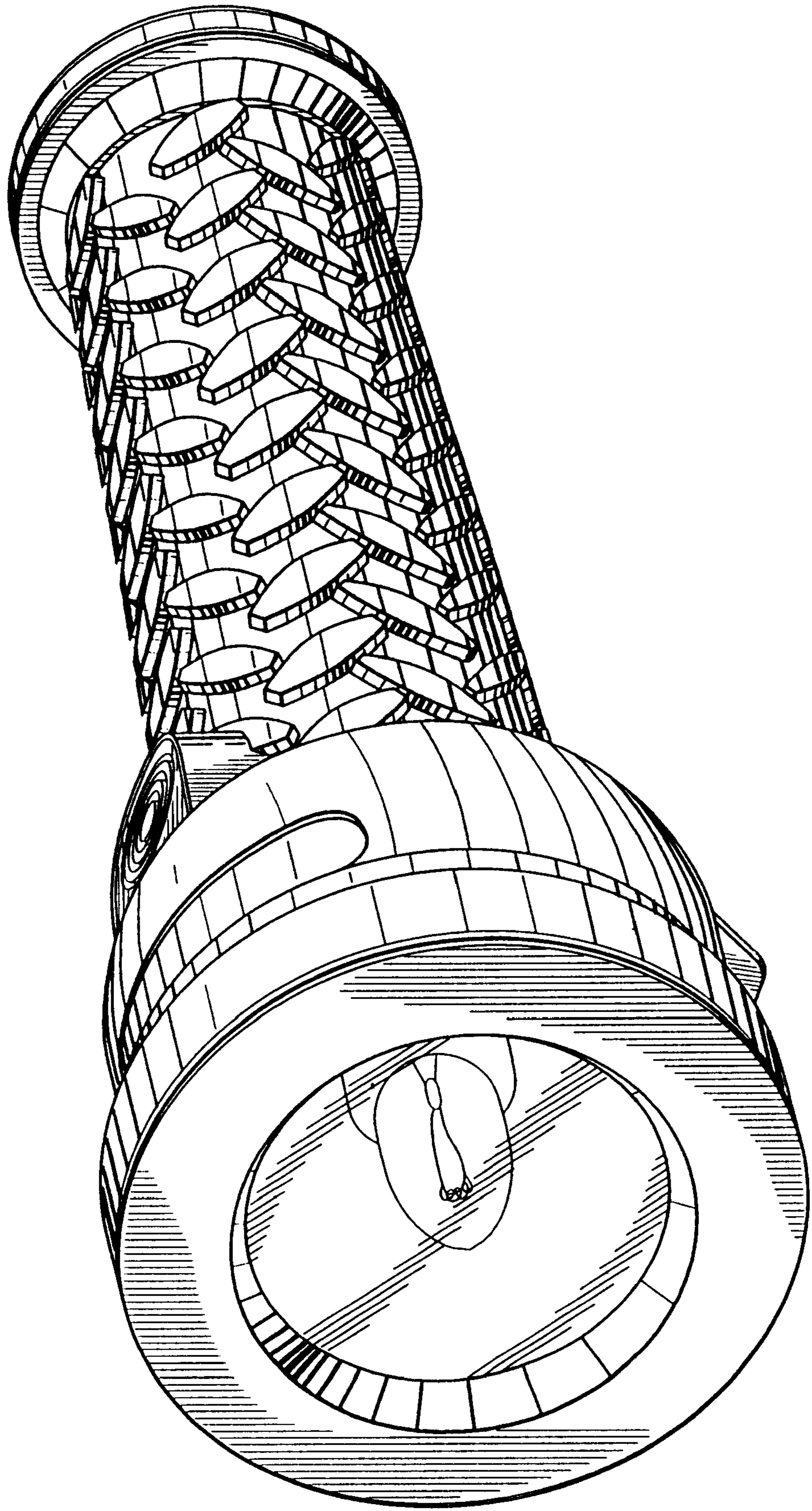




FIG. 7

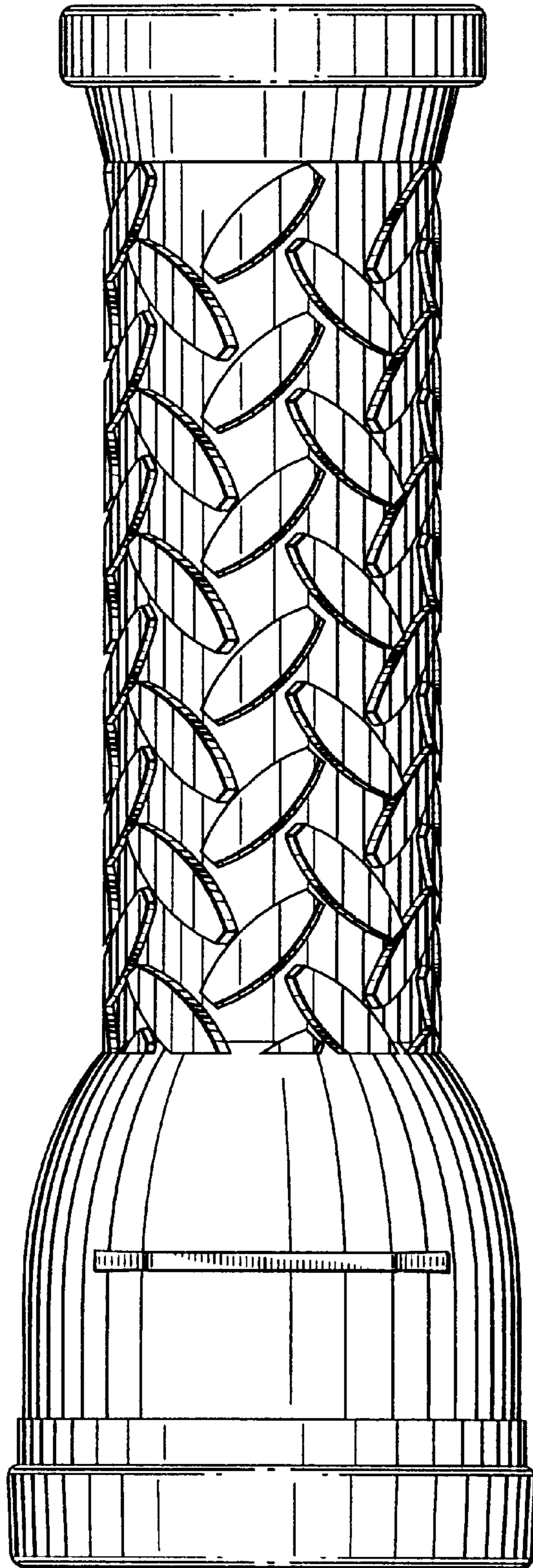


FIG. 8

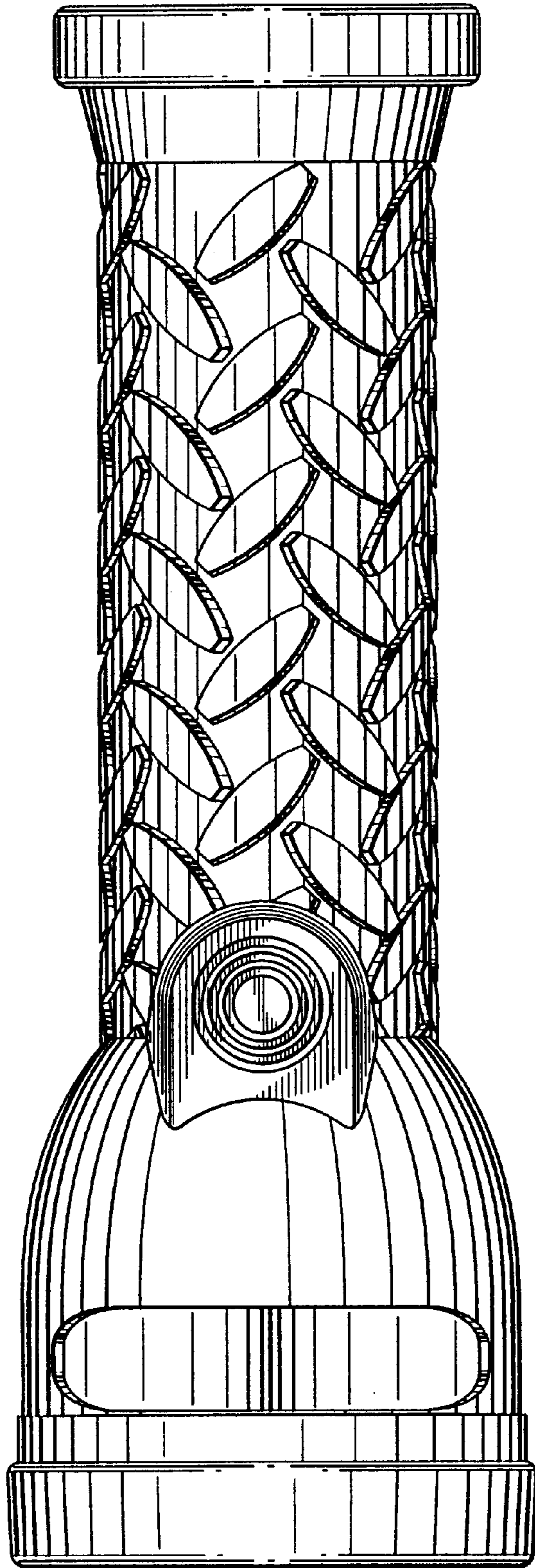
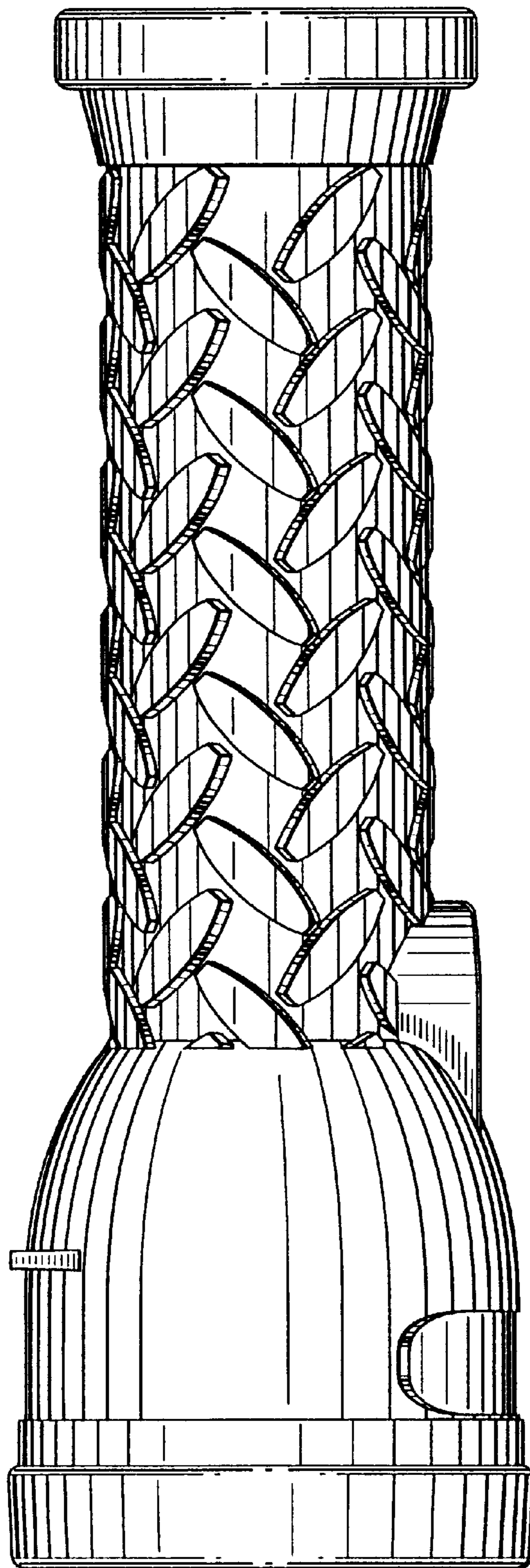
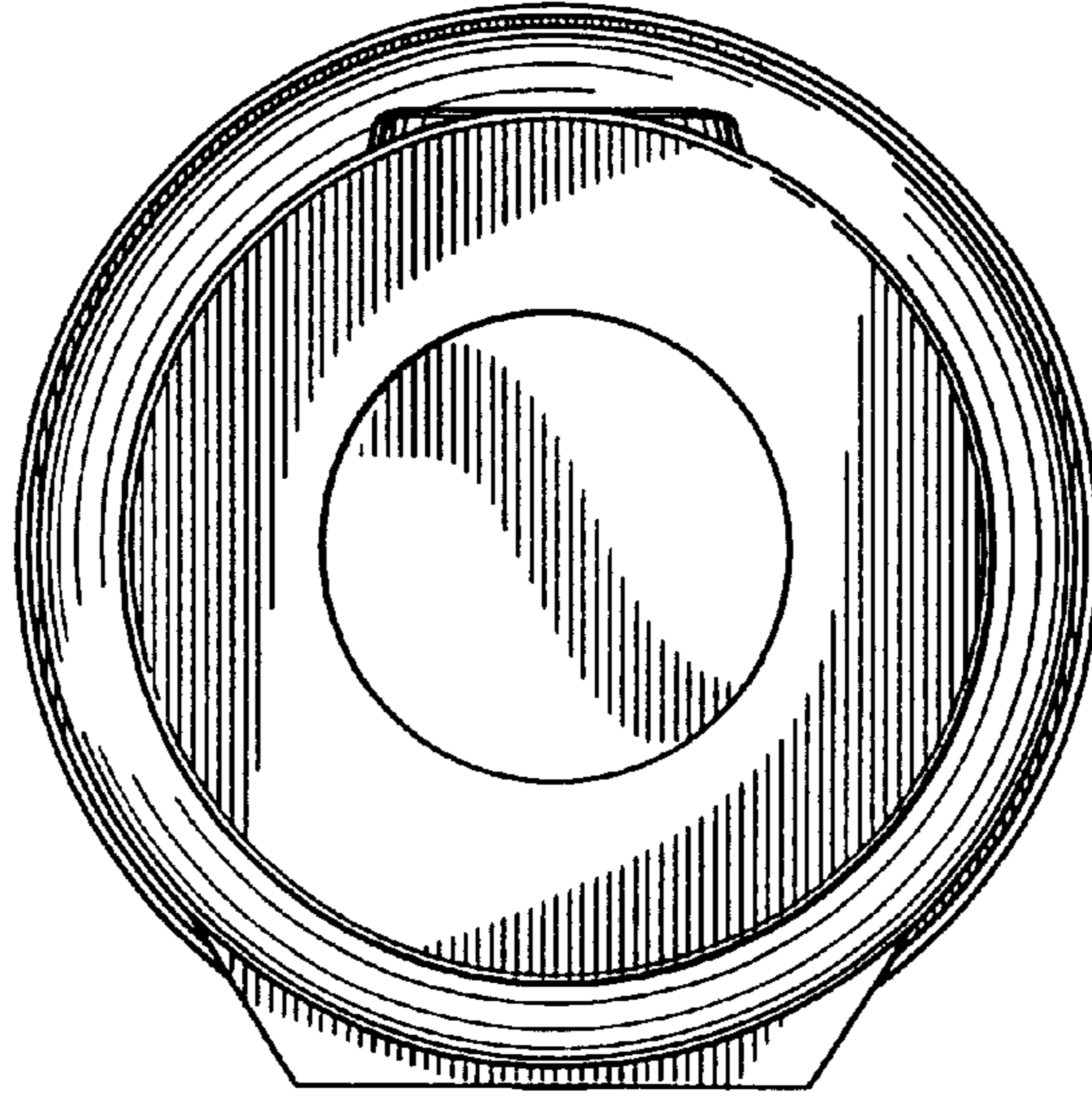




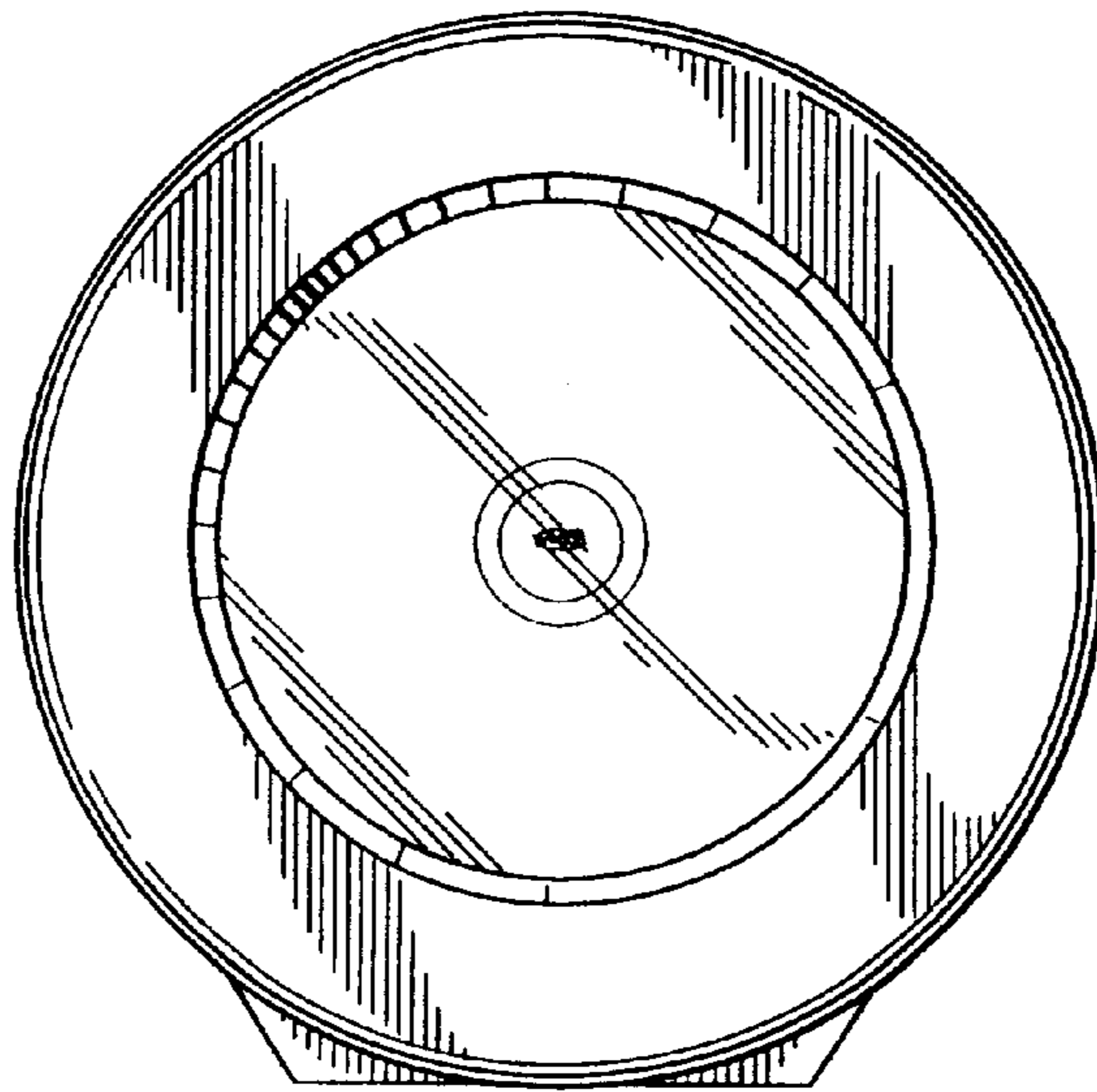
FIG. 9



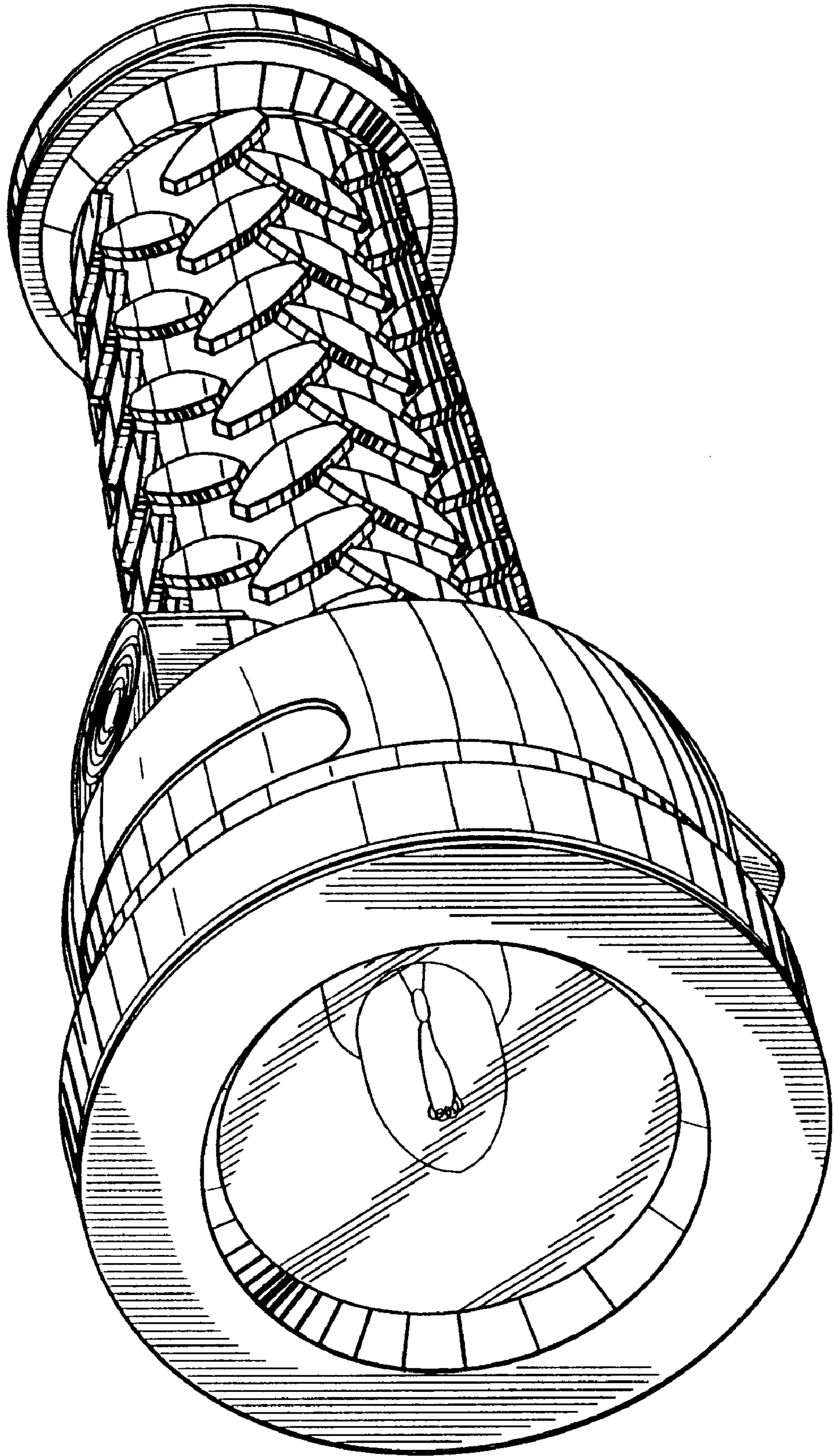
**FIG. 10**



**FIG. 11**

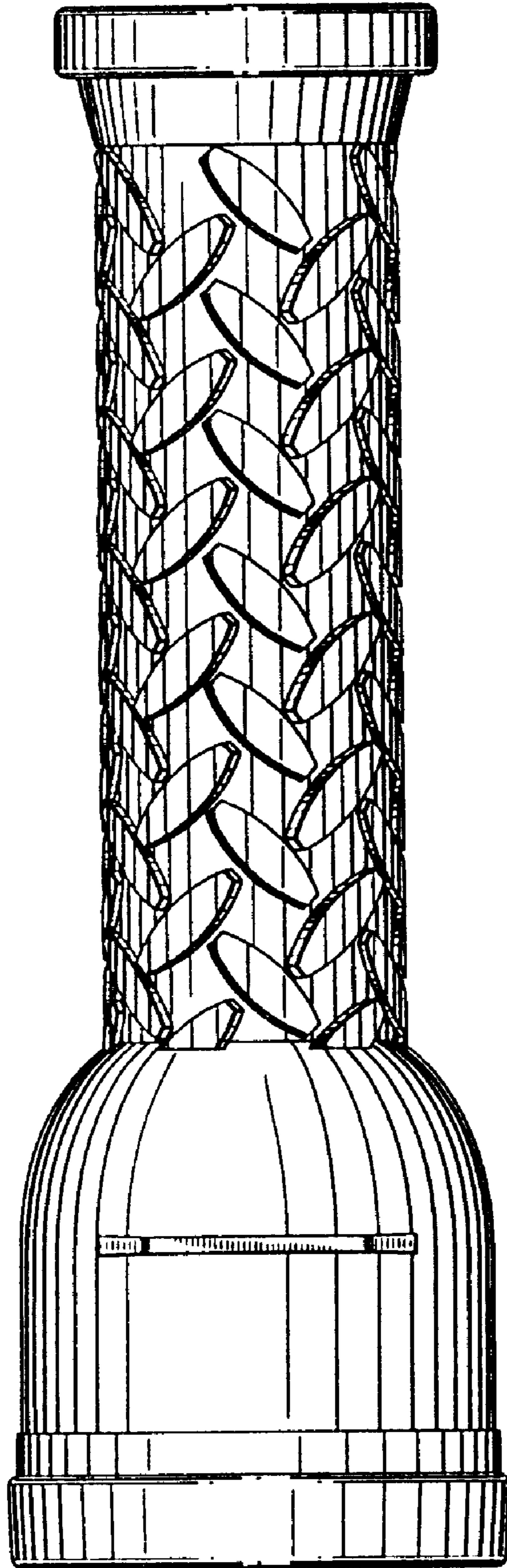


**FIG. 12**

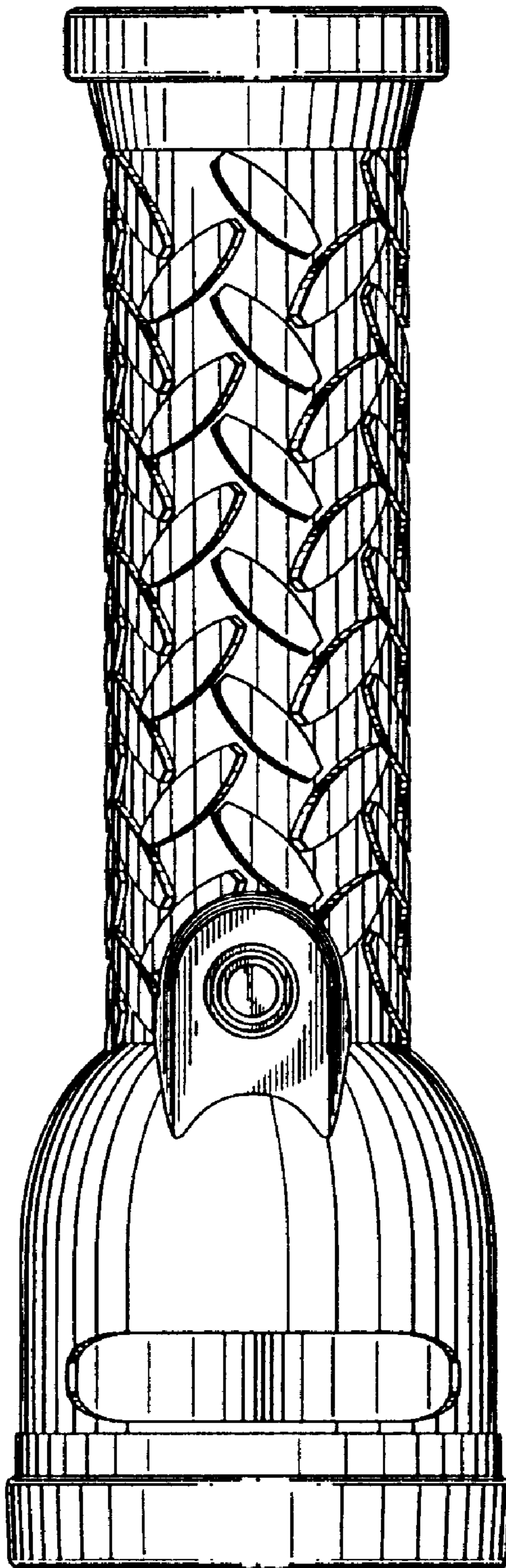




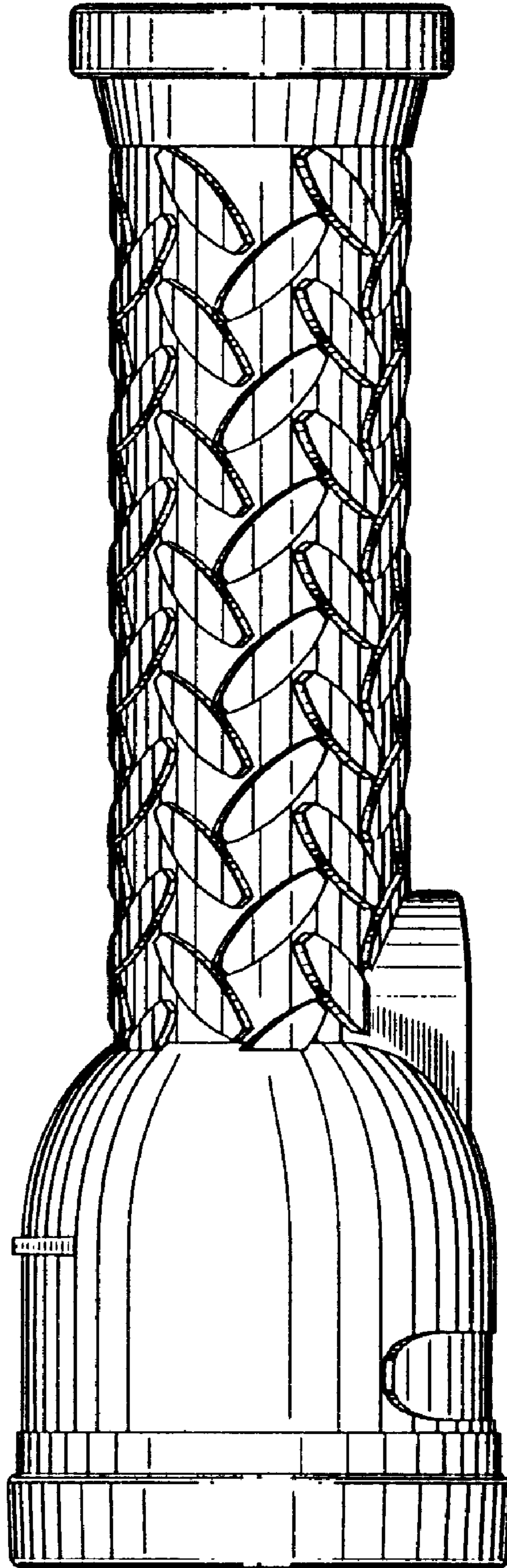
# FIG. 13



**FIG. 14**

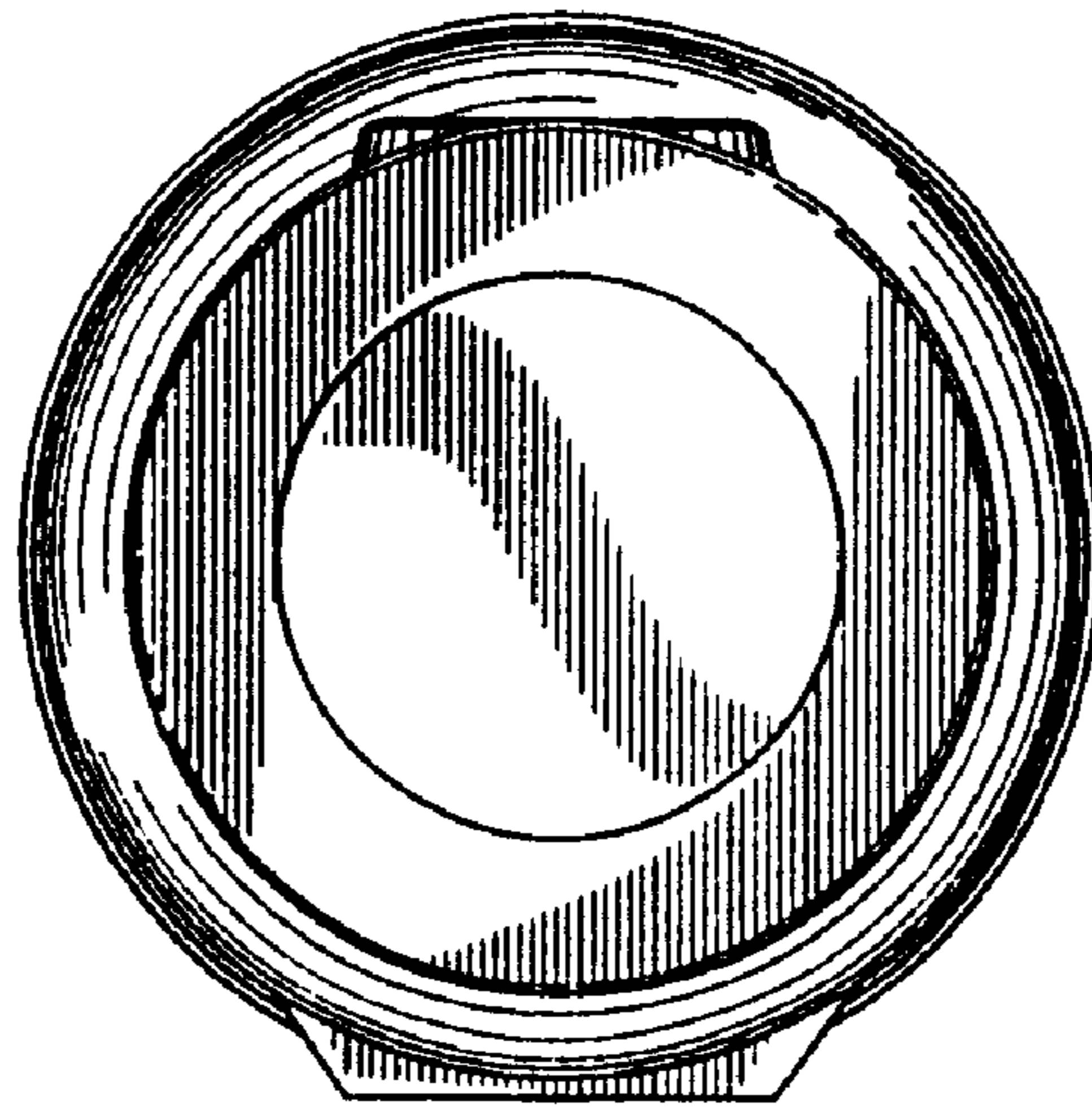


# FIG. 15

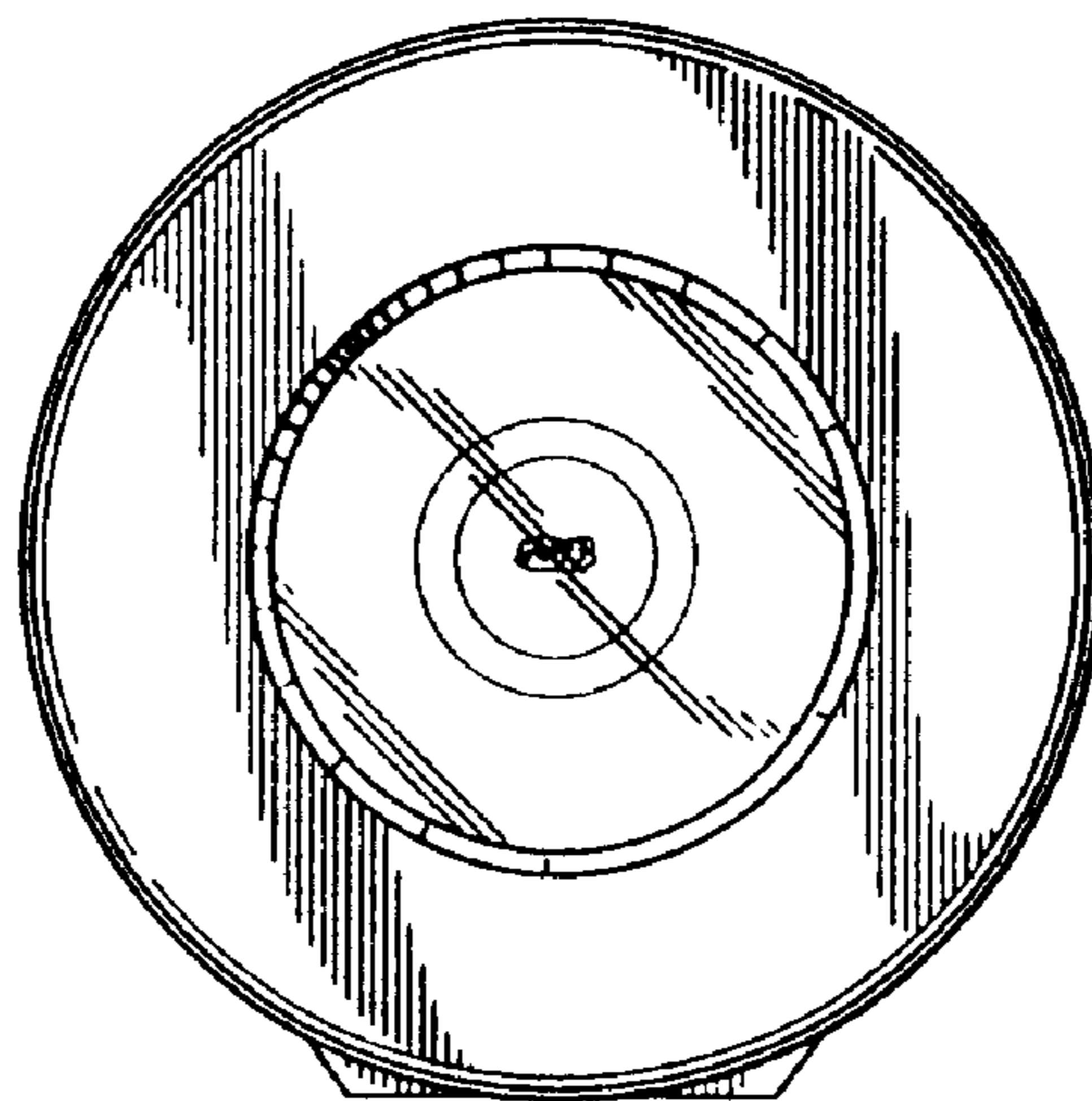




**FIG. 16**



**FIG. 17**



**FIG. 18**

