



US00D431873S

United States Patent [19]

[11] **Patent Number: Des. 431,873**

Petterson et al.

[45] **Date of Patent: ** Oct. 10, 2000**

[54] **EUROPEAN STYLE ADJUSTABLE NIGHT LIGHT**

Primary Examiner—Cynthia E Ramirez
Attorney, Agent, or Firm—Sheldon & Mak; Denton L. Anderson

[76] Inventors: **Tor Petterson**, 31248 Palos Verdes Dr. West, Rancho Palos Verdes, Calif. 90275; **Chuck Davis**, 24441 Park St., Unit D, Torrance, Calif. 90505

[57] **CLAIM**

The ornamental design for an European style adjustable night light, as shown and described.

[**] Term: **14 Years**

DESCRIPTION

[21] Appl. No.: **29/112,465**

FIG. 1 is a front and side isometric view of the European style adjustable night light of the invention;

[22] Filed: **Oct. 19, 1999**

FIG. 2 is a rear view of the European style adjustable night light of FIG. 1;

[51] **LOC (7) Cl.** **26-05**

FIG. 3 is a rear and bottom isometric view of the european style adjustable night light of FIG. 1;

[52] **U.S. Cl.** **D26/26**

[58] **Field of Search** D26/26, 93, 104, D26/107, 110, 112; 362/338, 340, 226

FIG. 4 is a top view of the European style adjustable night light of FIG. 1;

[56] **References Cited**

FIG. 5 is a bottom view of the European style adjustable night light of FIG. 1;

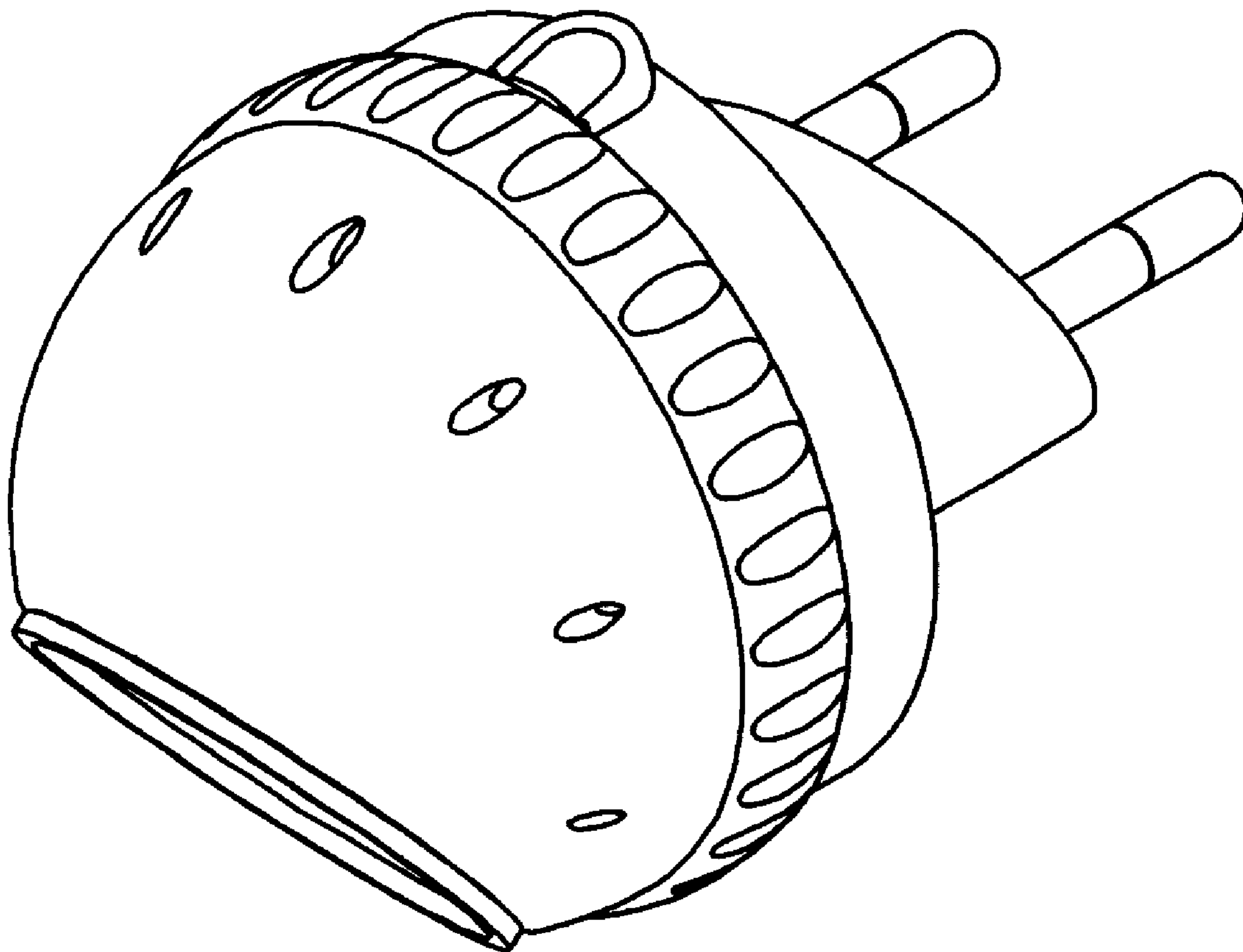
U.S. PATENT DOCUMENTS

FIG. 6 is a front view of the European style adjustable night light of FIG. 1; and,

D. 194,703	2/1963	Rifkin	D26/26
D. 325,096	3/1992	Peshak	D26/26 X
D. 347,288	5/1994	Ham	D26/26
D. 375,097	10/1996	Kovens	D26/26 X
D. 393,084	3/1998	Hergert	D26/26
D. 423,698	4/2000	Yuen	D26/26

FIG. 7 is a side view of the European style adjustable night light of FIG. 1.

1 Claim, 2 Drawing Sheets



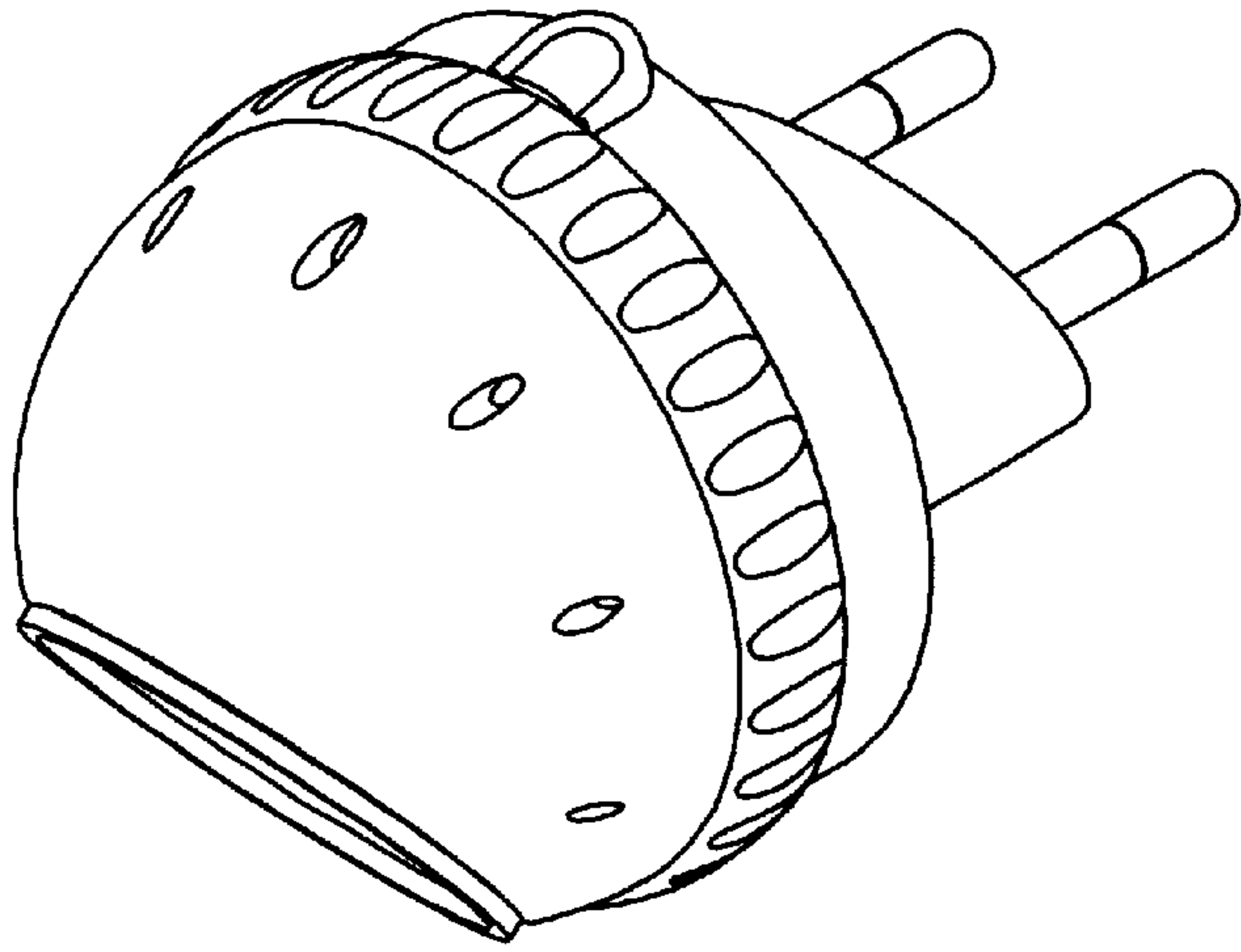


FIG. 1

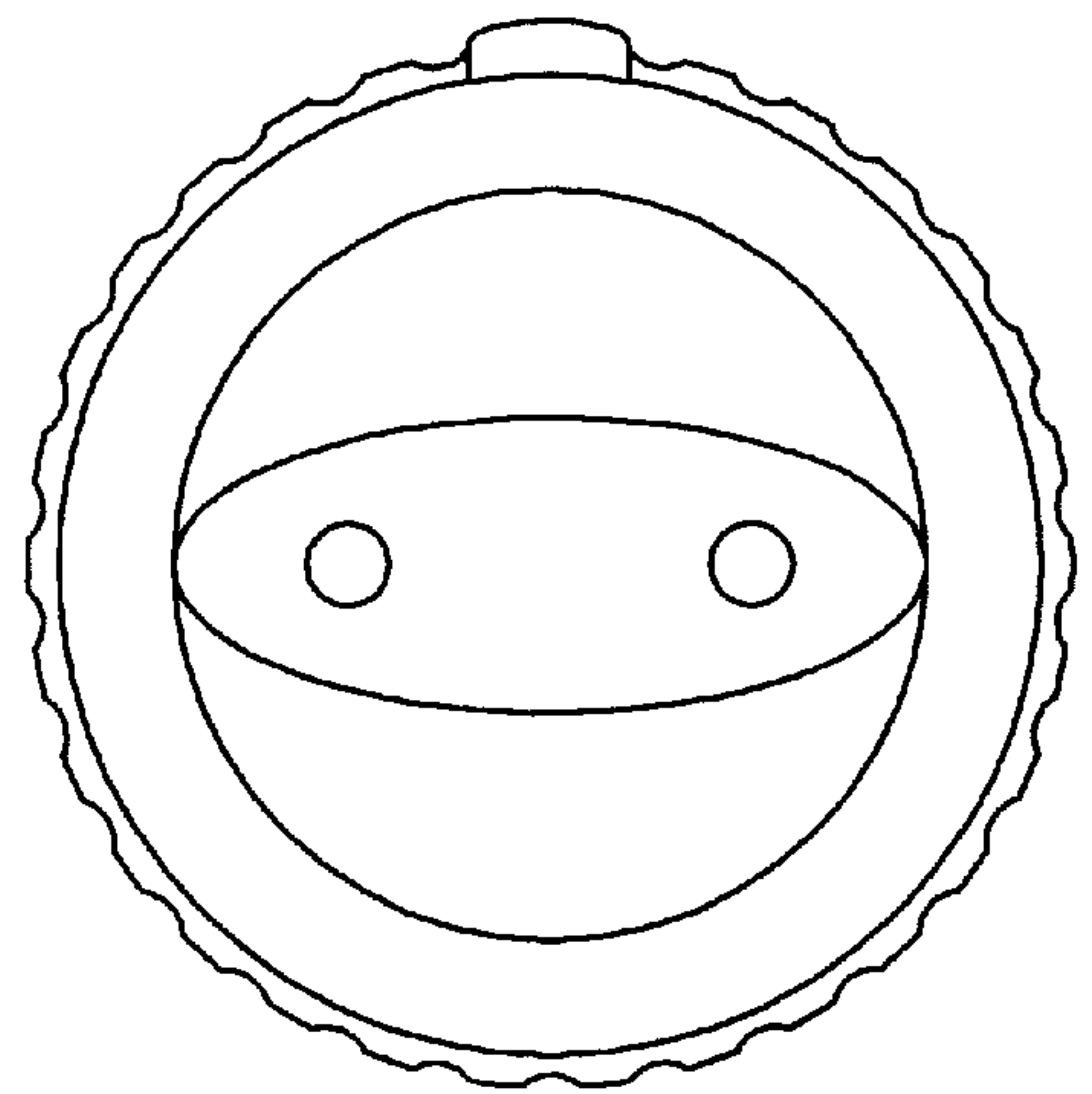


FIG. 2

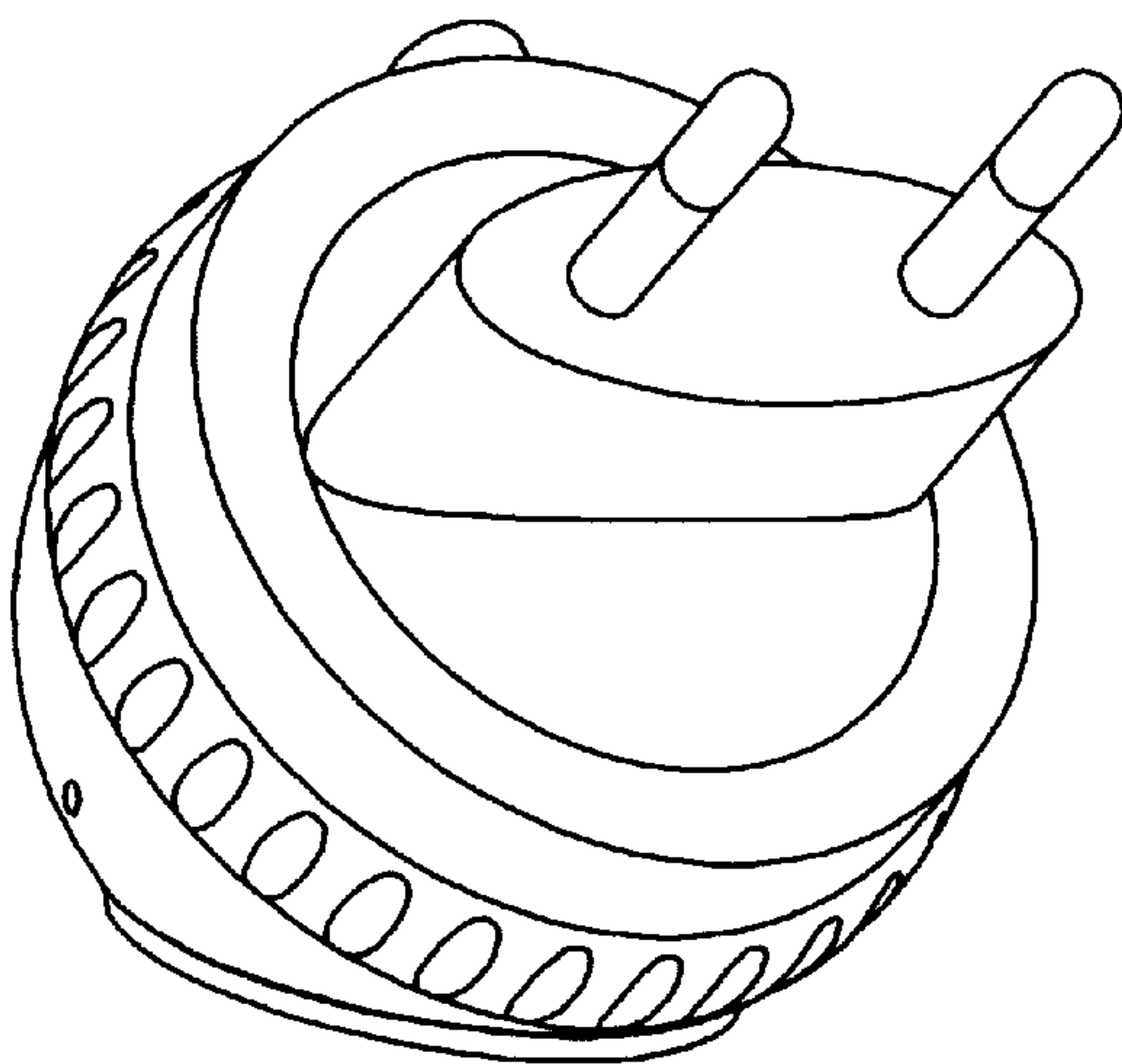


FIG. 3

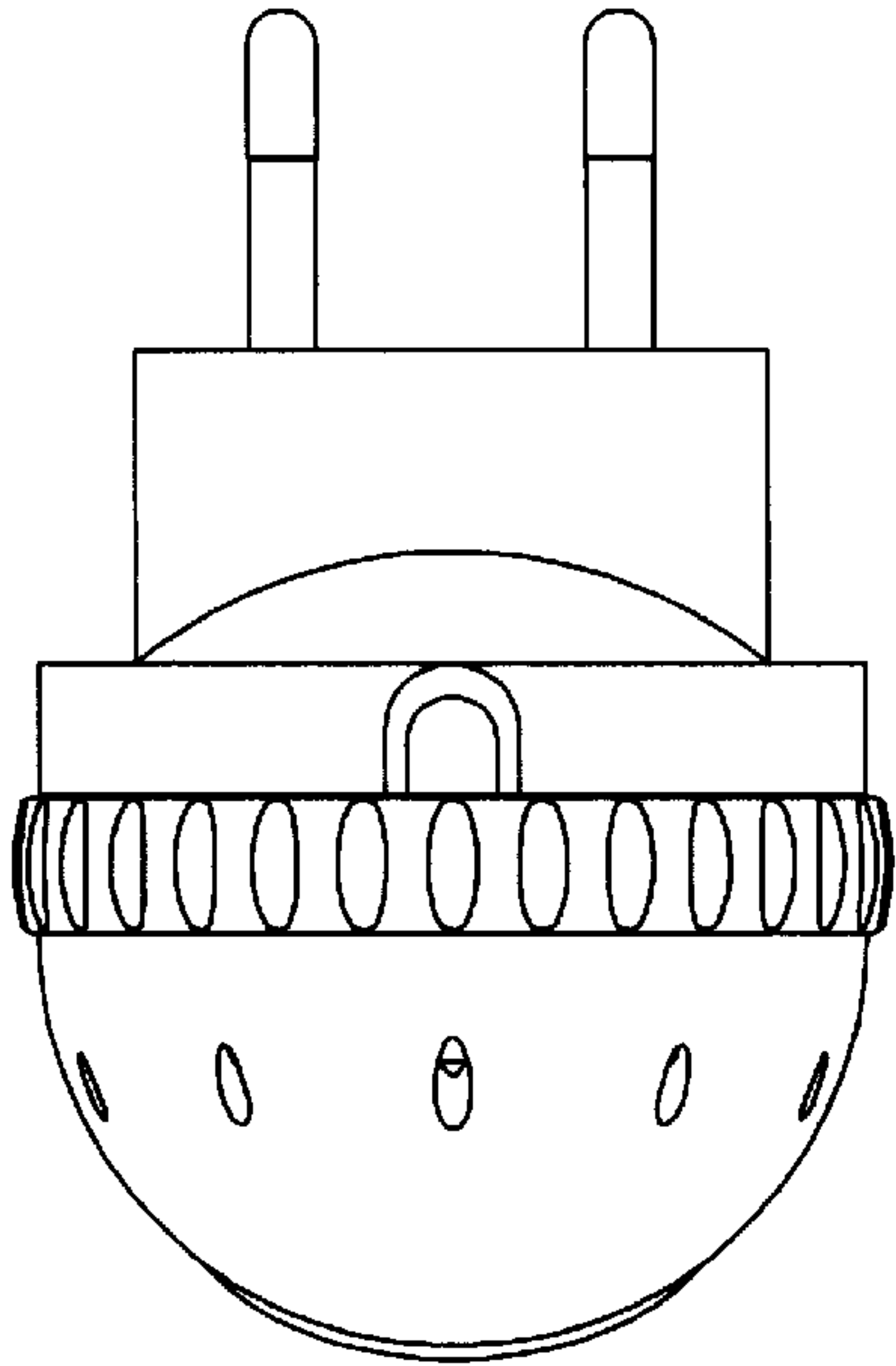


FIG. 4

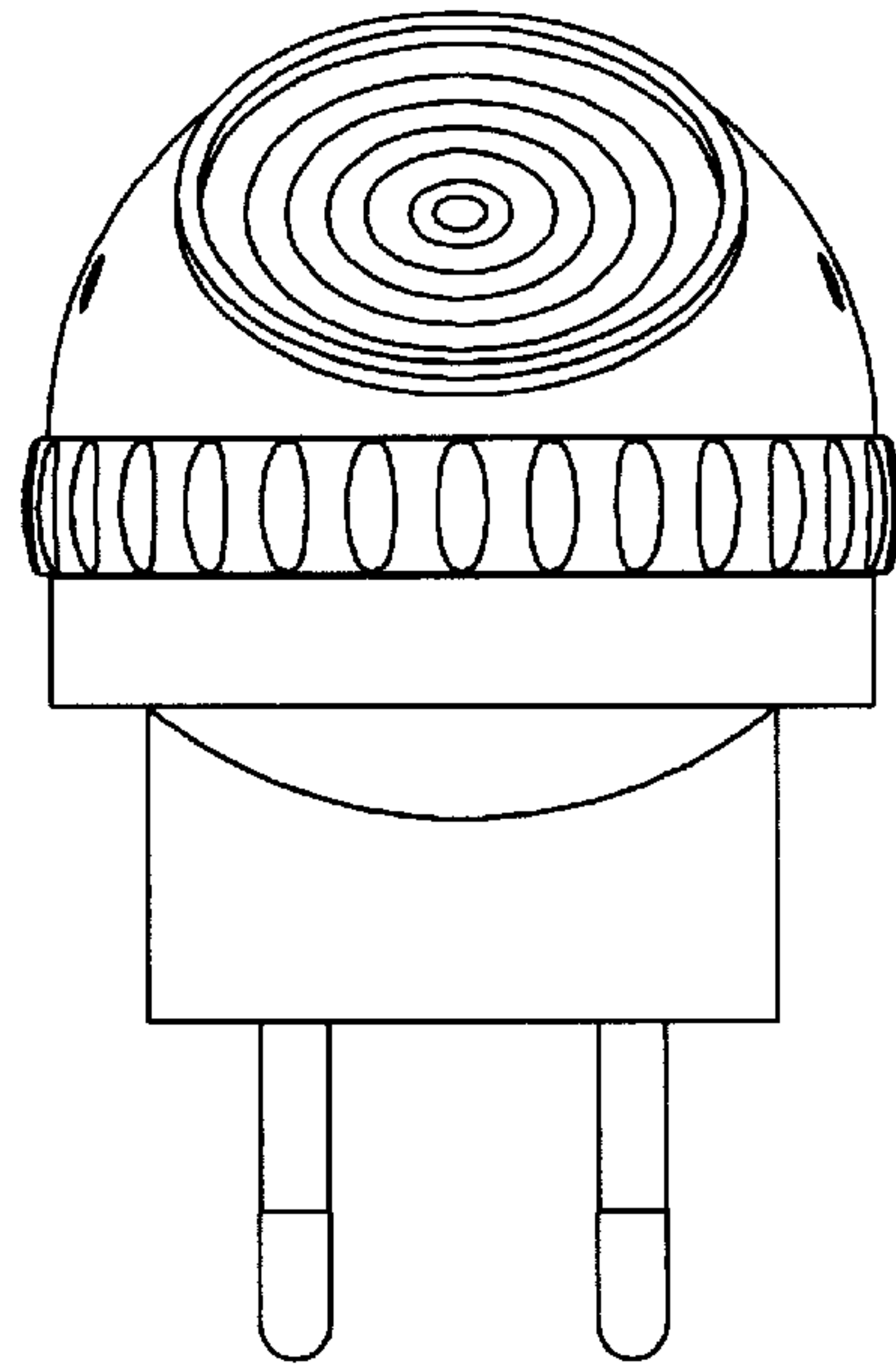


FIG. 5

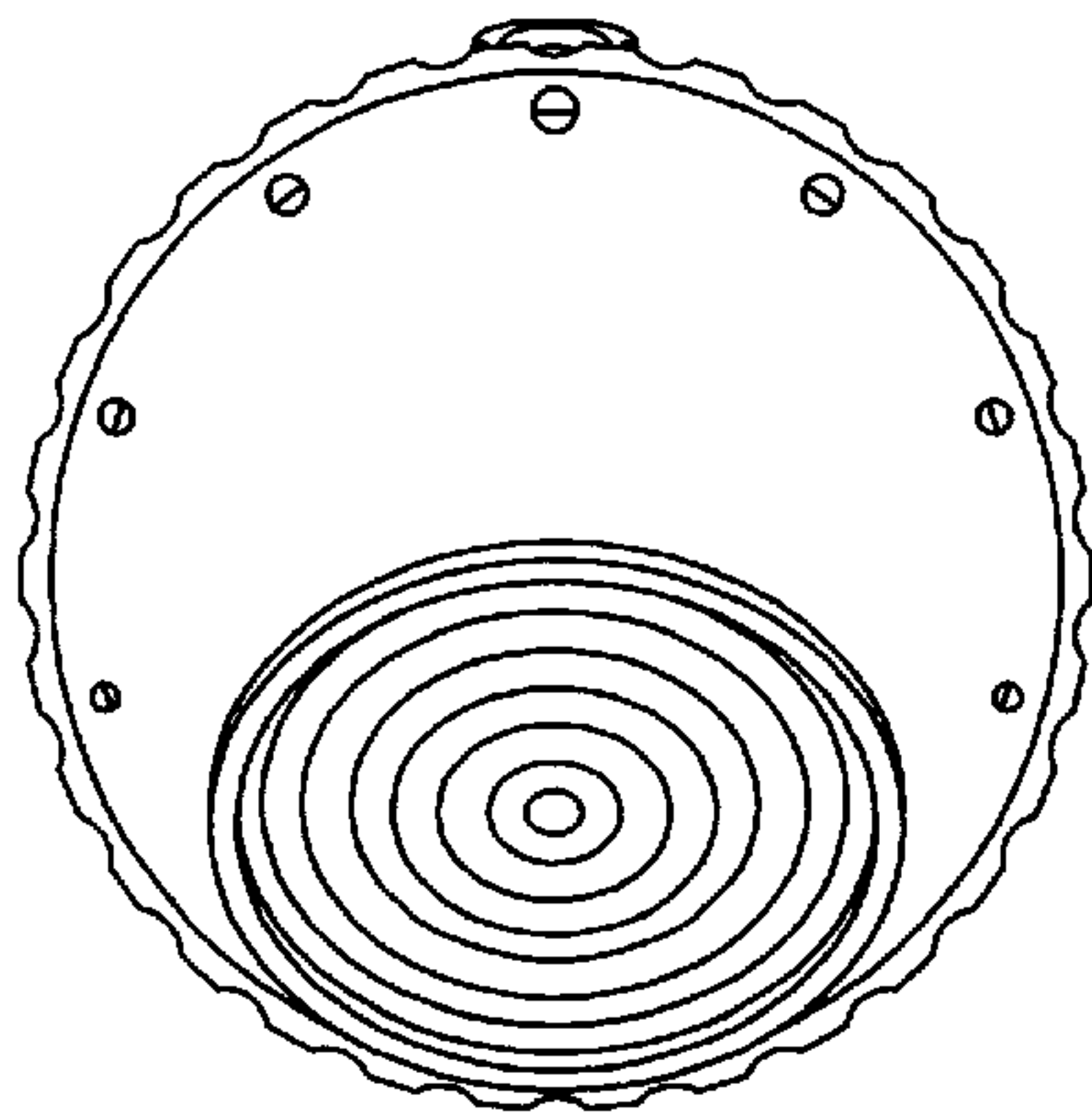


FIG. 6

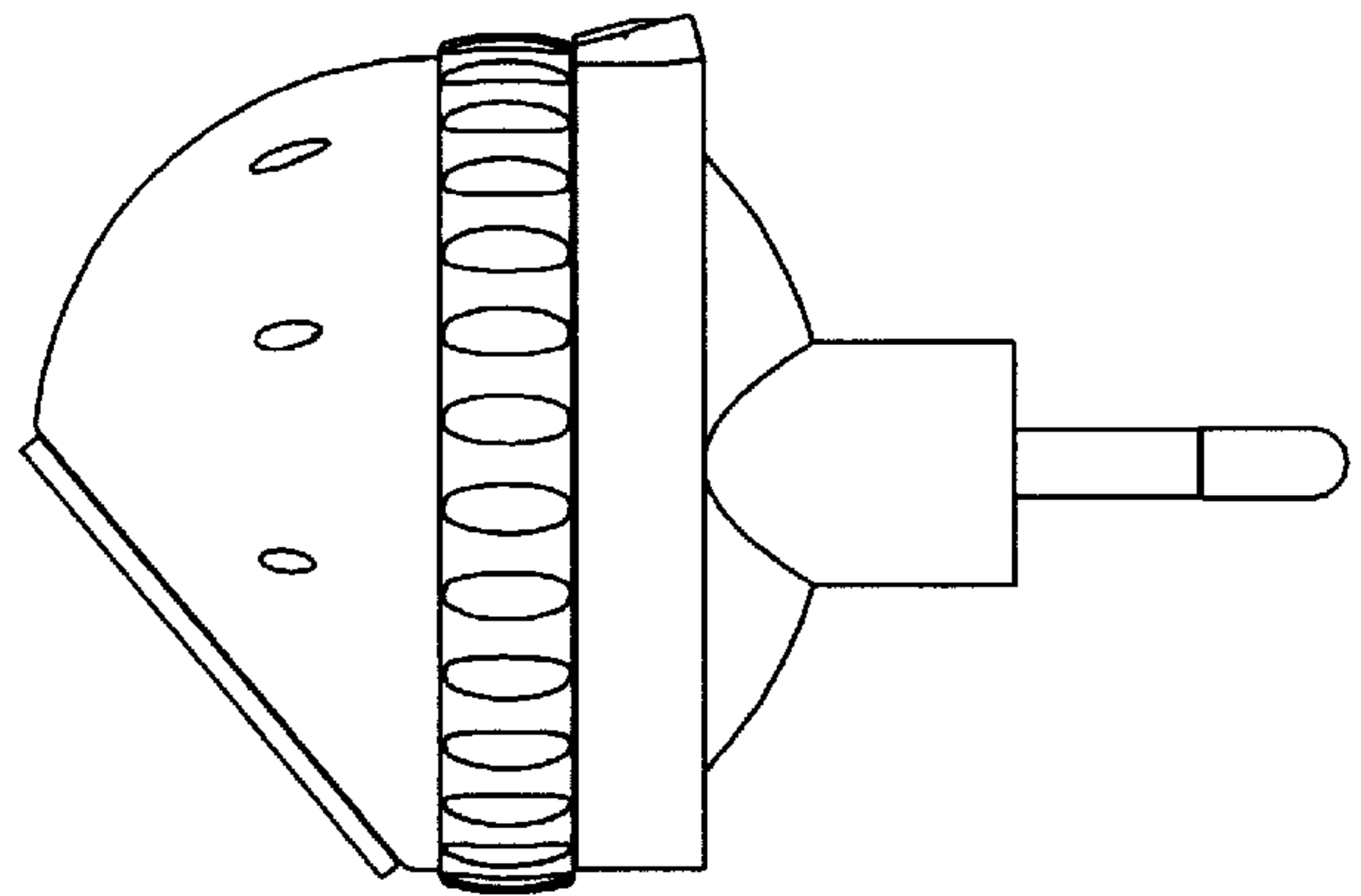


FIG. 7