



US00D431864S

United States Patent [19] Jansen

[11] Patent Number: Des. 431,864

[45] Date of Patent: ** Oct. 10, 2000

[54] TAMPER EVIDENT CAP FOR A TIP CAP

[75] Inventor: Hubert Jansen, Poisat, France

[73] Assignee: Becton Dickinson and Company,
Franklin Lakes, N.J.

[**] Term: 14 Years

[21] Appl. No.: 29/096,950

[22] Filed: Nov. 24, 1998

[51] LOC (7) Cl. 24-02

[52] U.S. Cl. D24/129; D24/130

[58] Field of Search D24/224, 129,
D24/112, 130; D9/434, 435, 438; 604/411,
187, 905, 415, 403, 232; 215/DIG. 3, 200

4,781,701	11/1988	Gepnags .	
4,834,715	5/1989	Hanifl .	
4,874,381	10/1989	Vetter .	
4,944,736	7/1990	Holtz	604/403
5,069,670	12/1991	Vetter et al. .	
5,100,010	3/1992	Waters .	
5,104,379	4/1992	Nakamura et al. .	
5,135,496	8/1992	Vetter et al. .	
5,135,513	8/1992	Meyer et al. .	
5,184,742	2/1993	DeCaprio et al. .	
5,405,340	4/1995	Fageol et al. .	
5,437,650	8/1995	Larkin et al. .	
5,624,402	4/1997	Imbert .	
5,772,652	6/1998	Zielinski	604/411
5,785,691	7/1998	Vetter et al. .	
5,833,653	11/1998	Vetter et al. .	
6,027,482	2/2000	Imbert .	

[56] **References Cited**

U.S. PATENT DOCUMENTS

D. 303,710	9/1989	Neill	D24/232
D. 406,643	3/1999	Niedospial, Jr. et al.	D24/112
D. 408,079	4/1999	Ellis	D24/108
D. 419,671	1/2000	Jansen	D24/112
1,727,755	9/1929	Dickinson .	
1,742,497	1/1930	Dickinson .	
1,793,068	2/1931	Dickinson .	
2,158,593	5/1939	Scrimgeour .	
2,371,086	3/1945	Watson et al. .	
2,677,374	5/1954	Burnside .	
2,755,801	7/1956	Morando .	
2,764,978	10/1956	Everett .	
2,811,155	10/1957	Dunnican .	
3,491,757	1/1970	Arce .	
4,043,334	8/1977	Brown et al. .	
4,187,848	2/1980	Taylor .	
4,266,815	5/1981	Aalto et al. .	
4,597,758	7/1986	Aalto et al. .	
4,636,201	1/1987	Ambrose et al. .	
4,676,530	6/1987	Nordgren et al. .	
4,747,835	5/1988	Sandhaus .	
4,774,772	10/1988	Vetter et al. .	

FOREIGN PATENT DOCUMENTS

0 022 576 A1	1/1981	European Pat. Off. .
0 589 379 A1	2/1994	European Pat. Off. .
0 462 355 A1	3/1994	European Pat. Off. .
387123	2/1908	France .

Primary Examiner—Ian Simmons
Attorney, Agent, or Firm—Allen W. Wark

[57] **CLAIM**

I claim the ornamental design for the tamper evident cap for a tip cap, as shown and described.

DESCRIPTION

FIG. 1 is a perspective view of the present invention as viewed from the proximal end;
FIG. 2 is a side elevational view of FIG. 1 thereof having three other identical sides;
FIG. 3 is a proximal end view of FIG. 1 thereof;
FIG. 4 is a distal end view of FIG. 1 thereof; and,
FIG. 5 is a perspective view thereof. The broken line showing is for illustrative purposes only and forms no part of the claimed design.

1 Claim, 4 Drawing Sheets

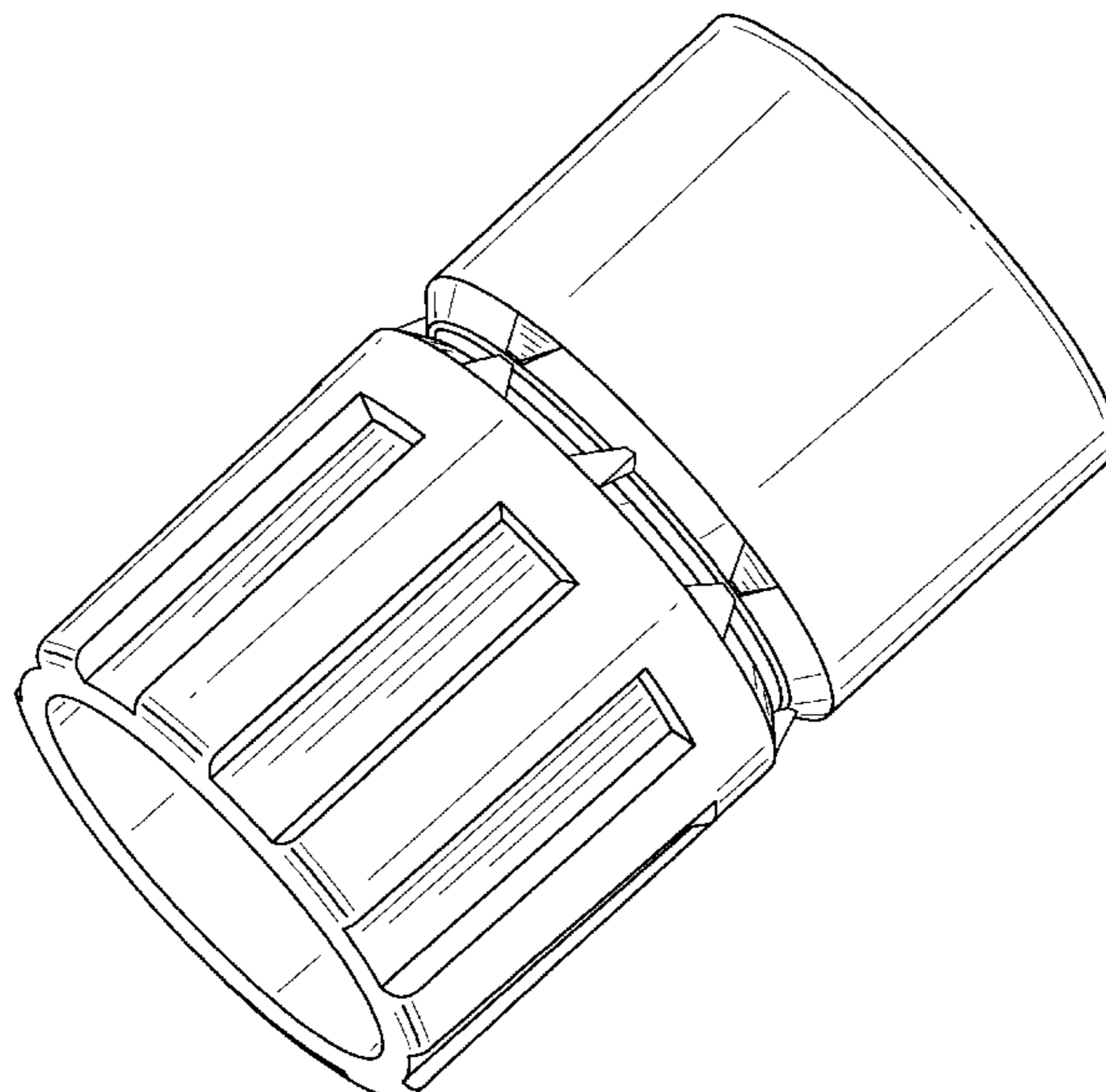


FIG-1

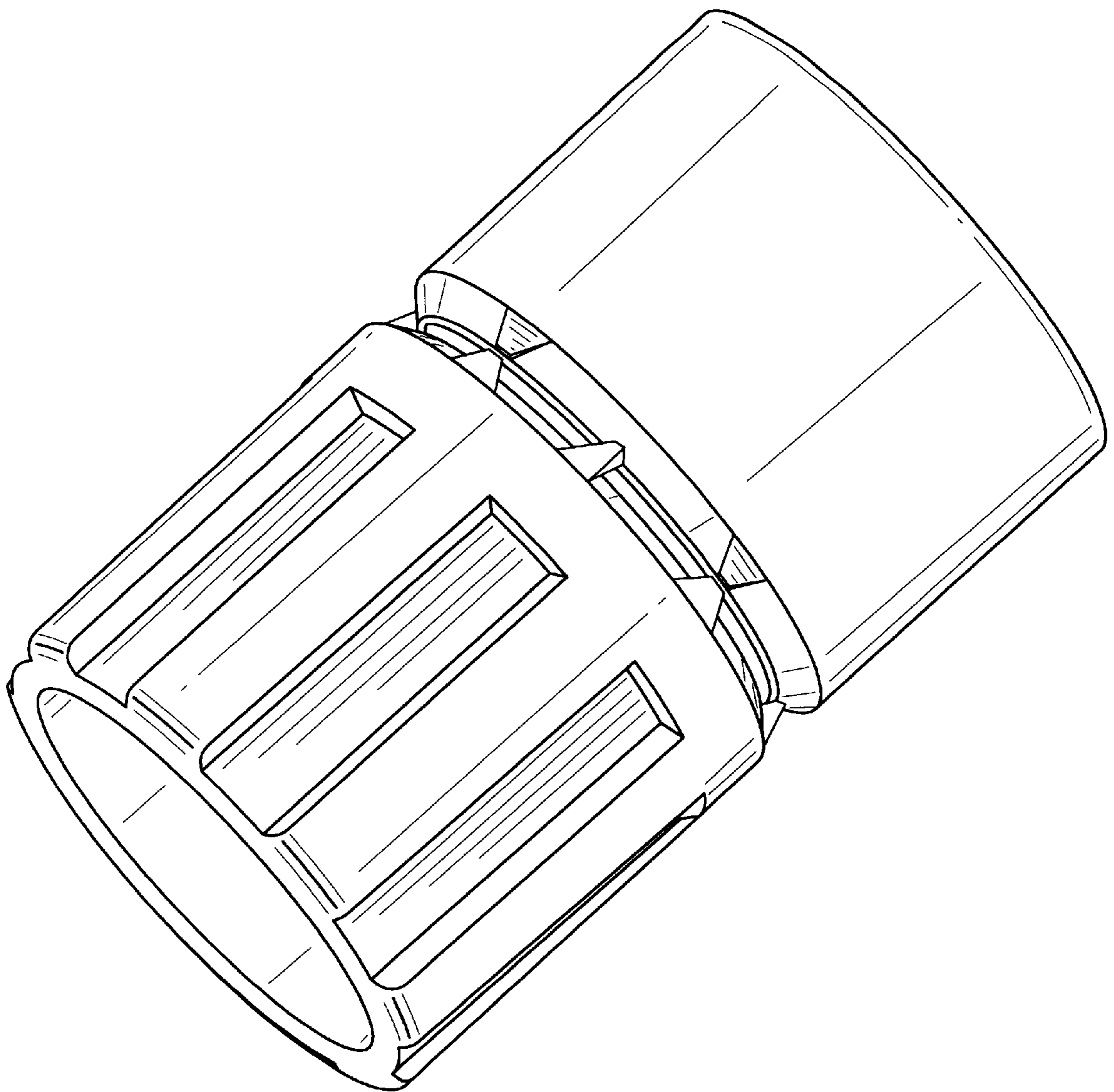


FIG-2

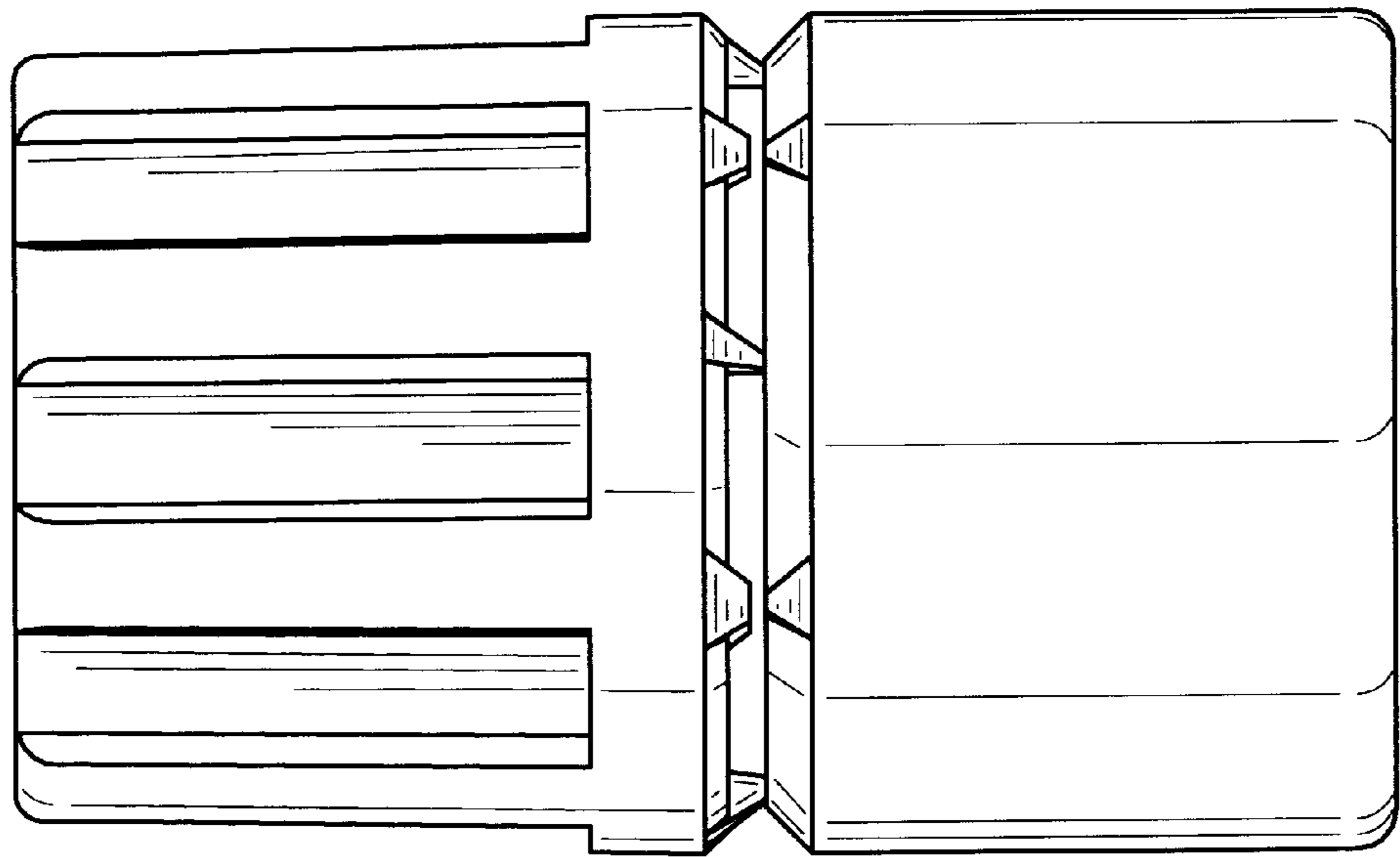


FIG-3

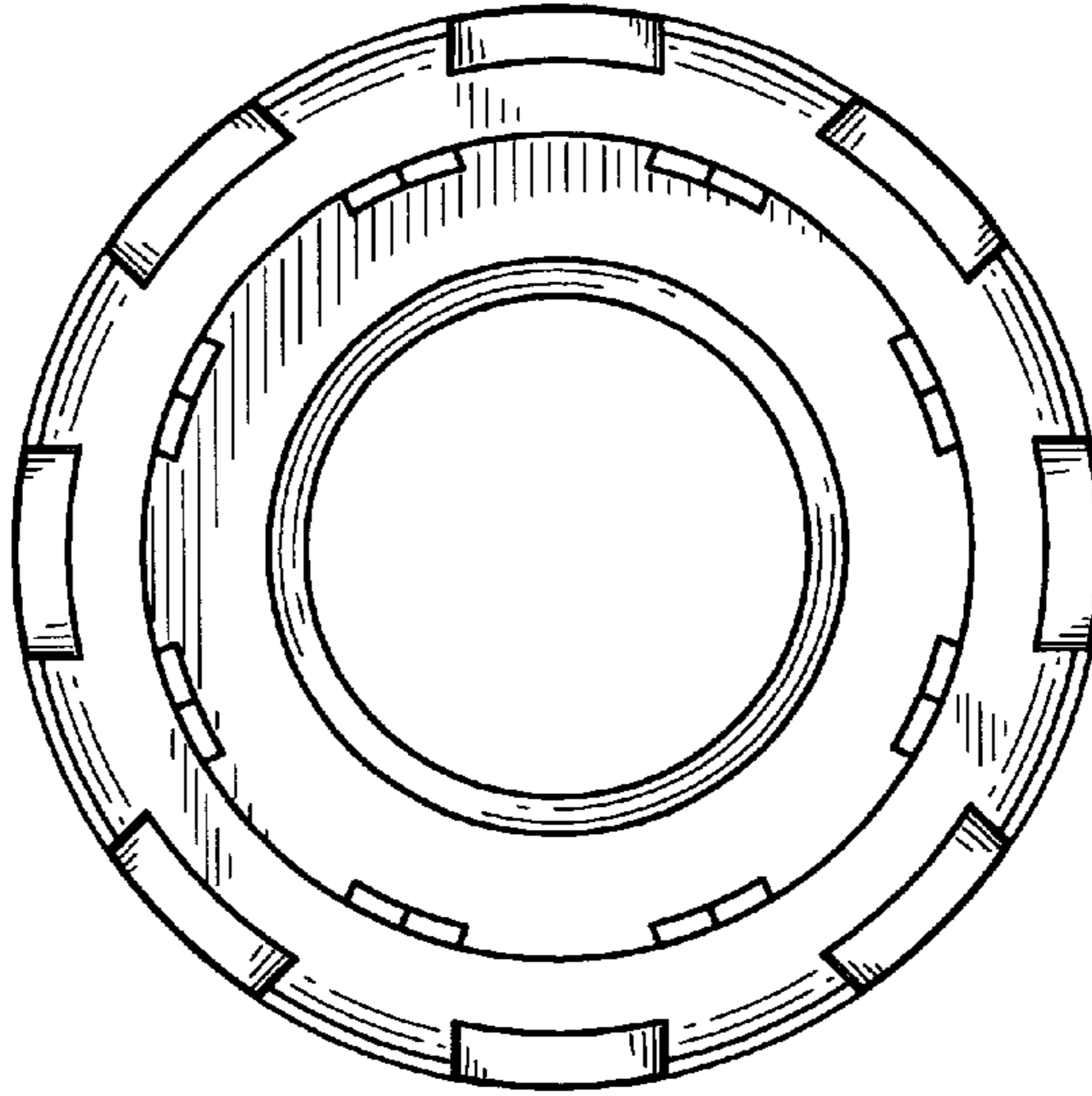
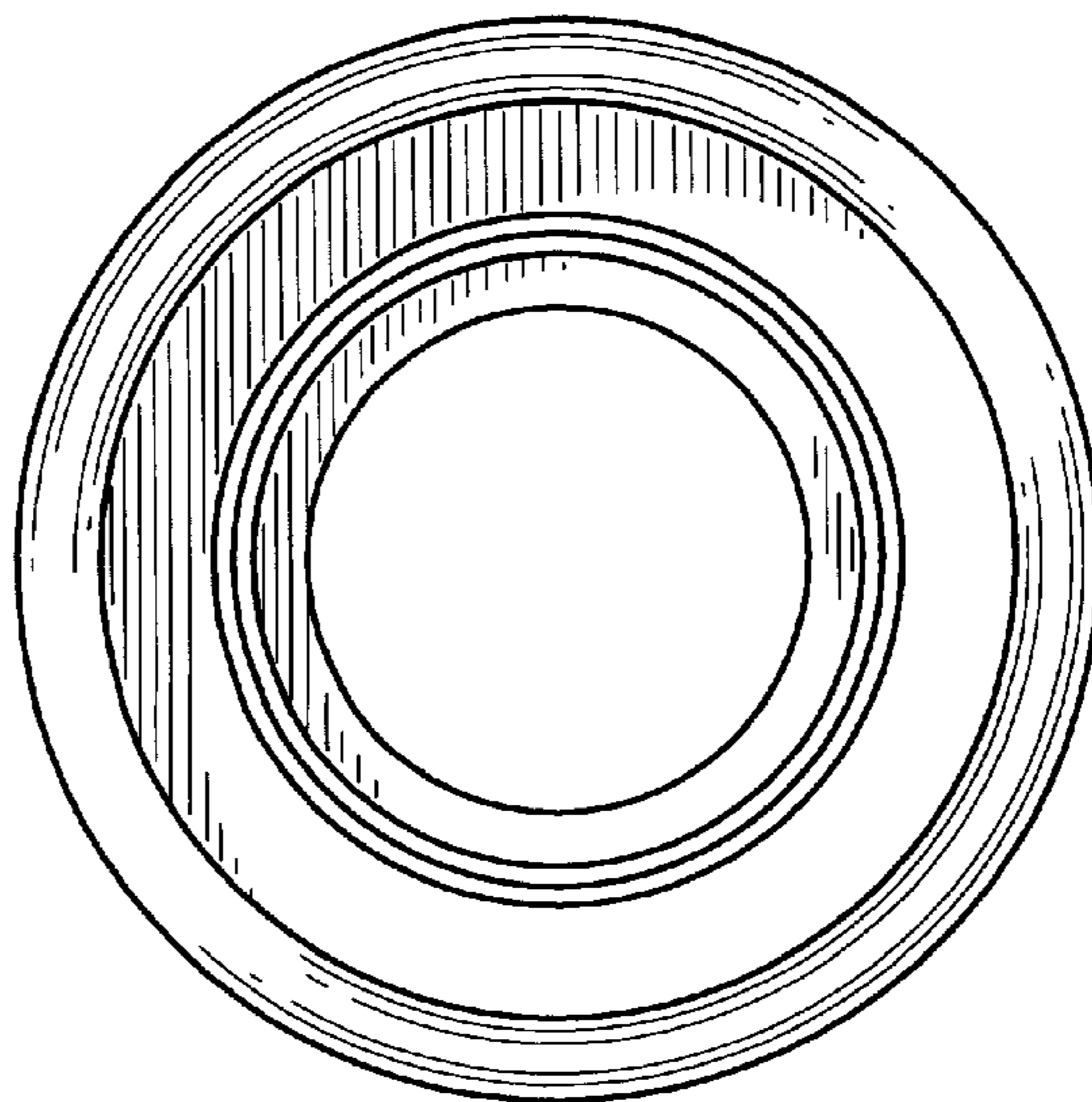


FIG-4



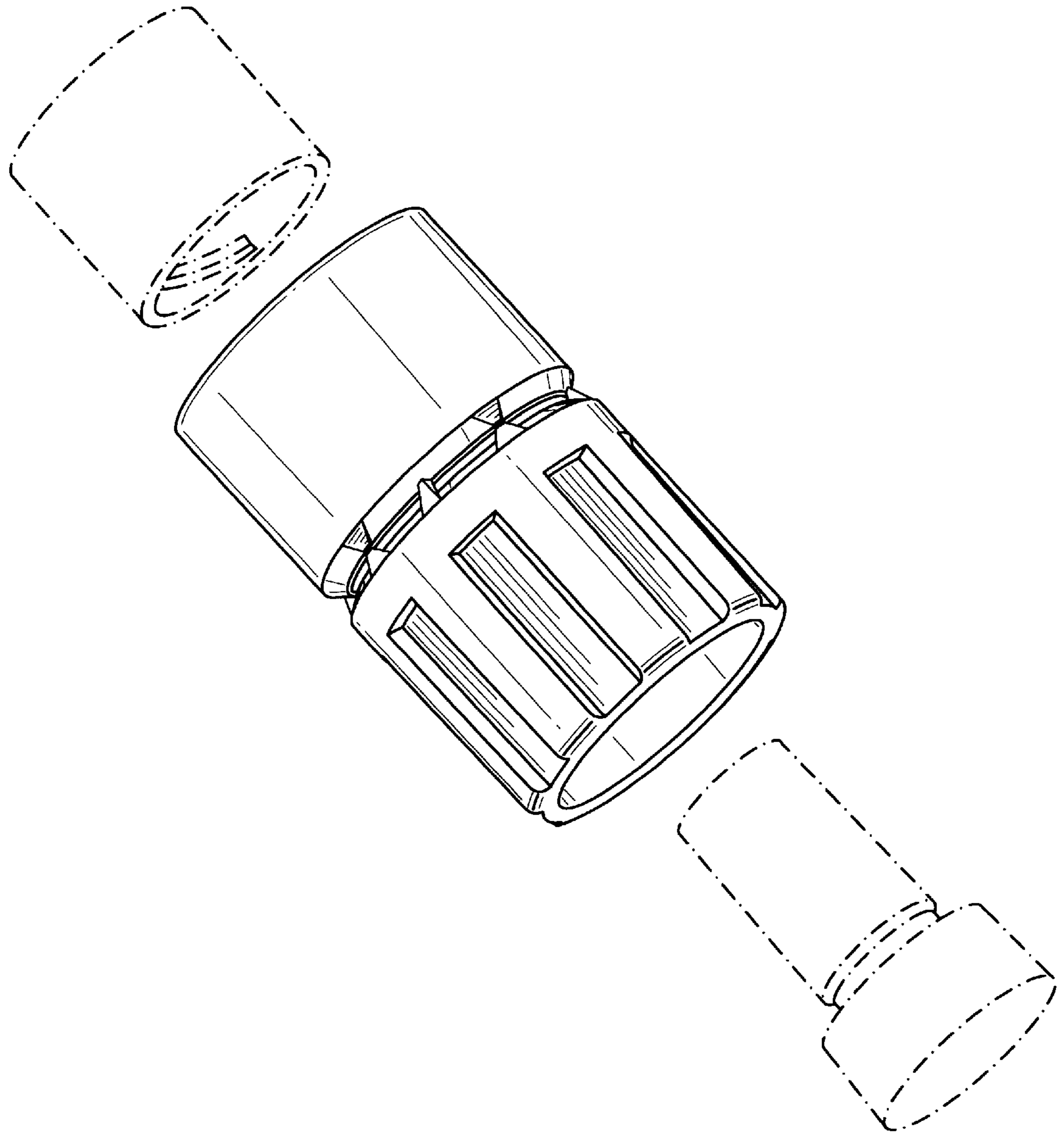


FIG-5