



US00D431859S

# United States Patent [19]

Tse

[11] Patent Number: **Des. 431,859**

[45] Date of Patent: **\*\* Oct. 10, 2000**

[54] **SHOWERHEAD**

[75] Inventor: **Hing Fai Tse**, Tai Po, The Hong Kong Special Administrative Region of the People's Republic of China

[73] Assignee: **Aquamate Co., Ltd.**, Kowloon, The Hong Kong Special Administrative Region of the People's Republic of China

[\*\*] Term: **14 Years**

[21] Appl. No.: **29/114,815**

[22] Filed: **Dec. 2, 1999**

[51] **LOC (7) Cl.** ..... **23-01**

[52] **U.S. Cl.** ..... **D23/229**

[58] **Field of Search** ..... D23/213, 223, D23/226, 228-230; 239/462, 548, 394

[56] **References Cited**

**U.S. PATENT DOCUMENTS**

D. 113,439 2/1939 Reinecke ..... D23/229

D. 267,581 1/1983 Mackay et al. .... D23/229

D. 347,260 5/1994 Ben-zur ..... D23/213

D. 375,541 11/1996 Michaluk ..... D23/213

*Primary Examiner*—Robin V. Taylor

*Attorney, Agent, or Firm*—Leydig, Voit & Mayer, Ltd.

[57] **CLAIM**

The ornamental design for a showerhead, as shown and described.

**DESCRIPTION**

FIG. 1 is a front and right side perspective view of a showerhead showing my new design;

FIG. 2 is a front elevational view thereof;

FIG. 3 is a rear elevational view thereof;

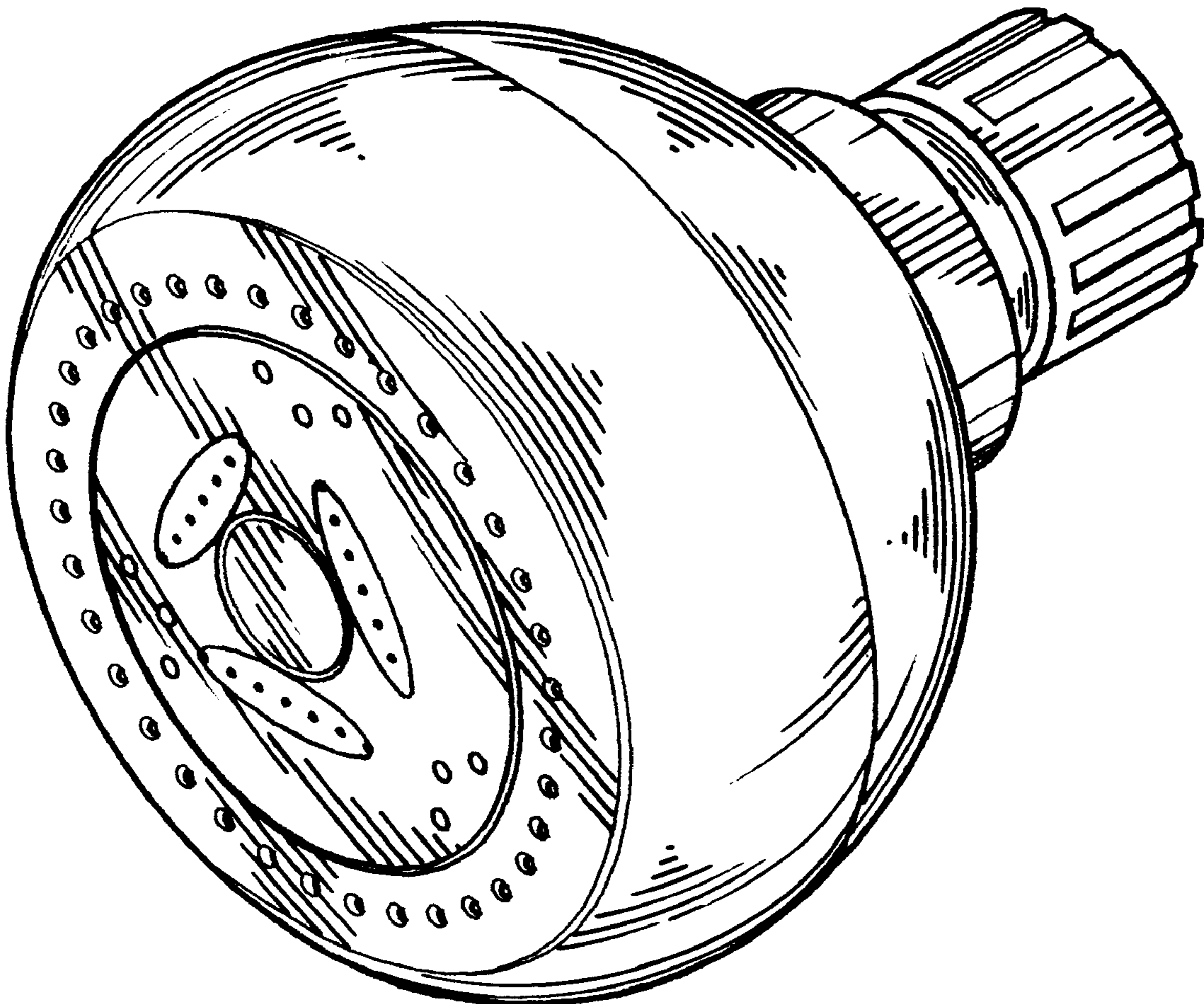
FIG. 4 is a left side elevational view thereof;

FIG. 5 is a right side elevational view thereof;

FIG. 6 is a top plan view thereof; and,

FIG. 7 is a bottom plan view thereof.

**1 Claim, 4 Drawing Sheets**



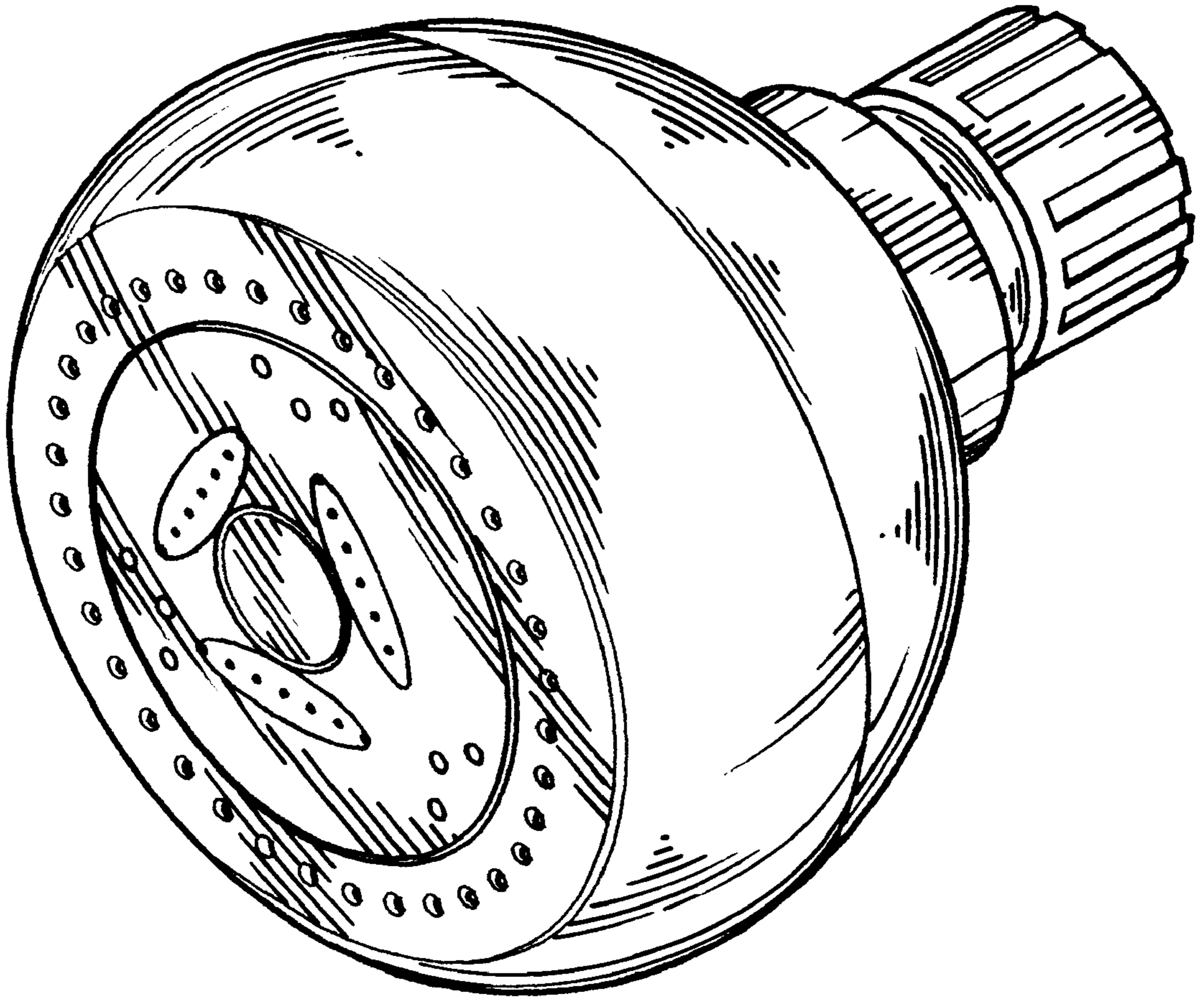


FIG. 1

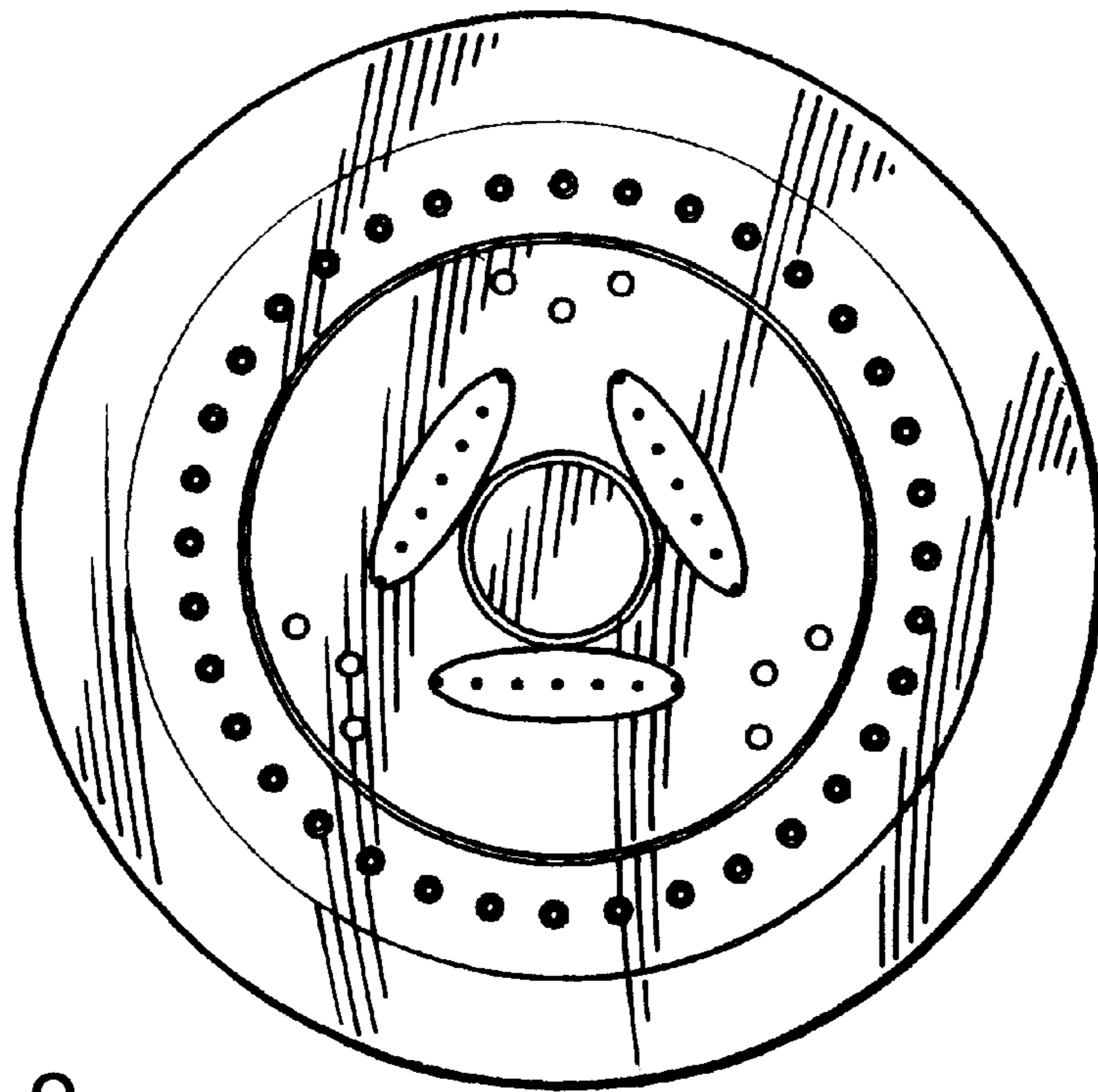


FIG. 2

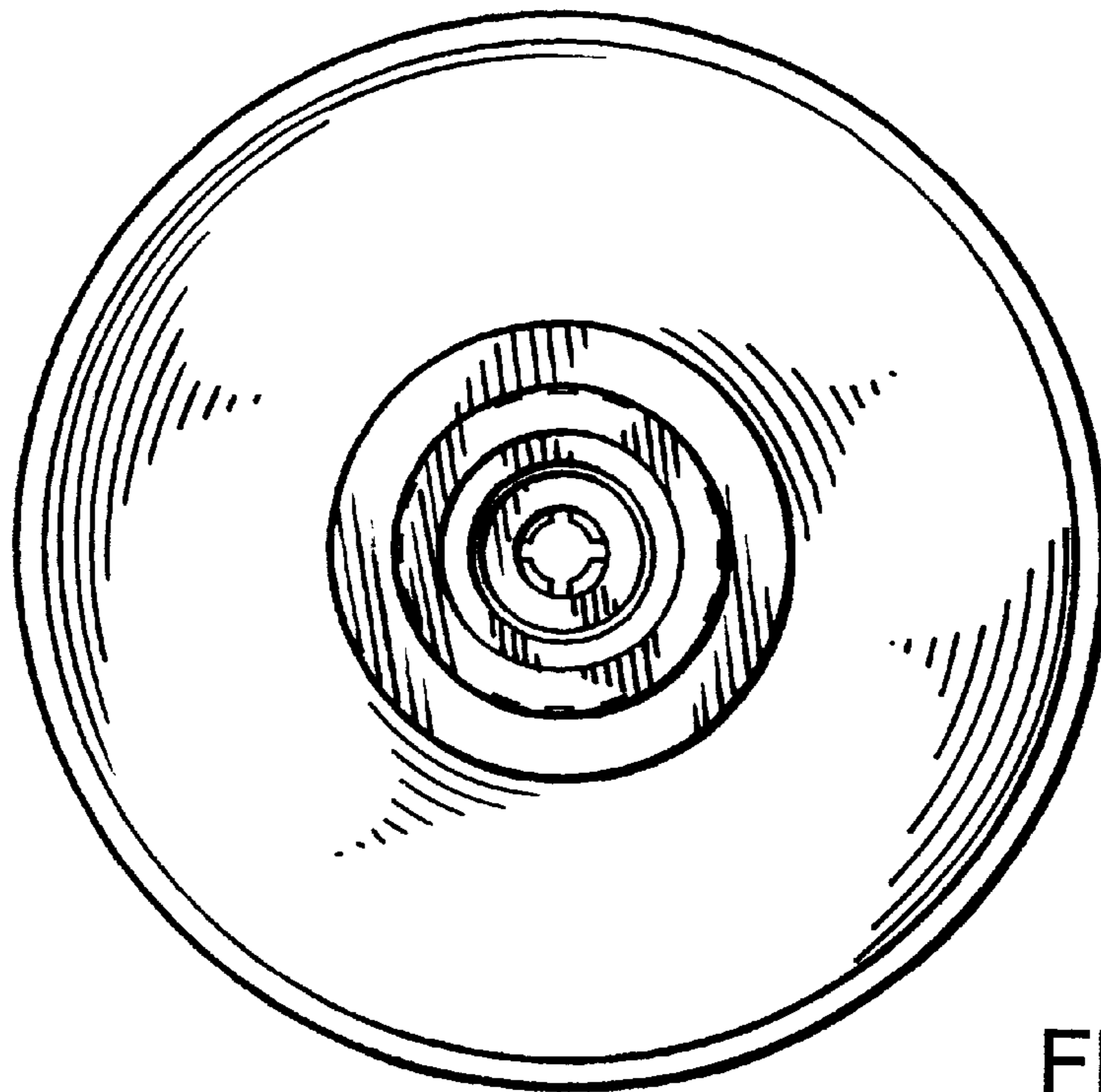


FIG. 3

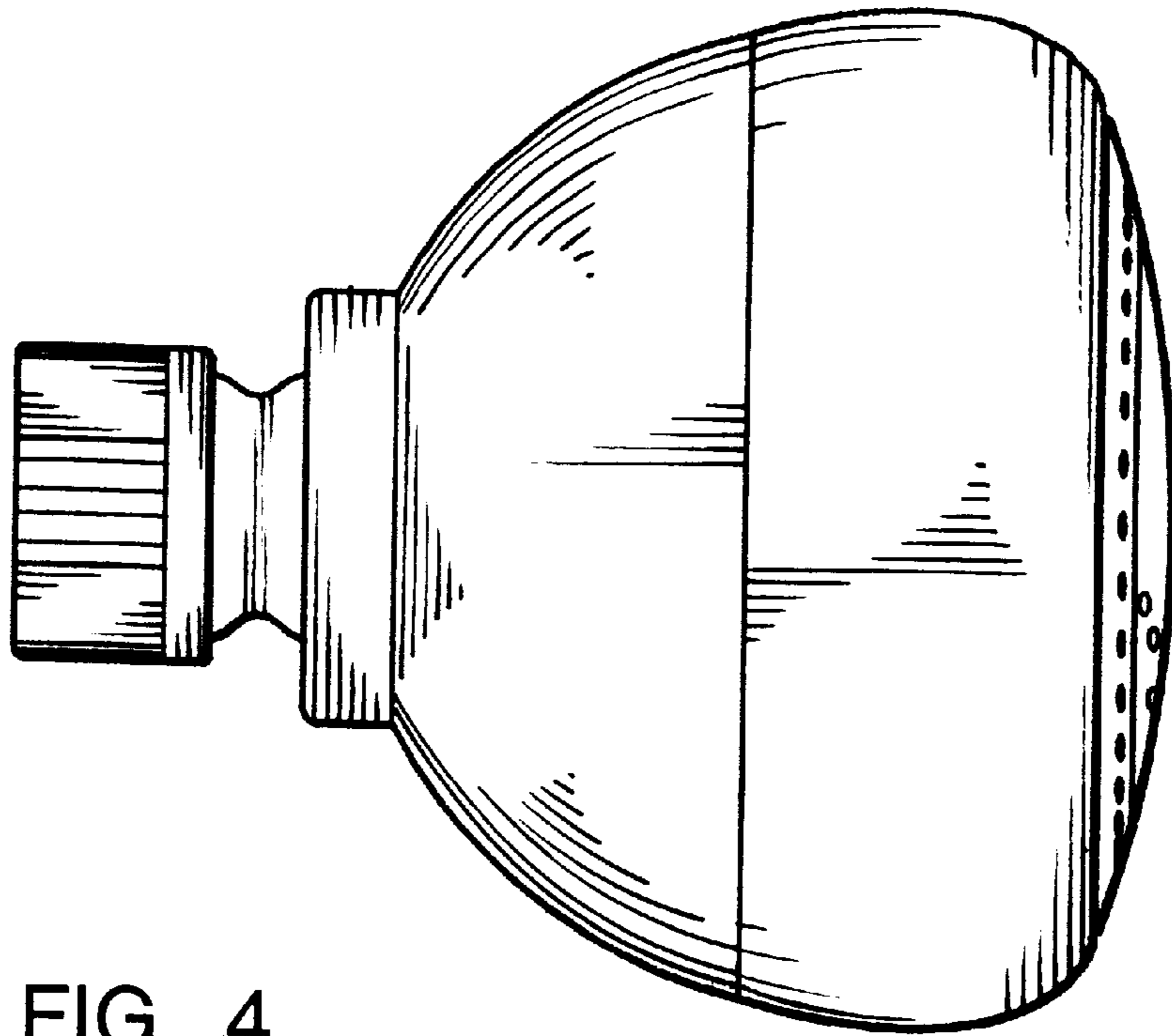


FIG. 4

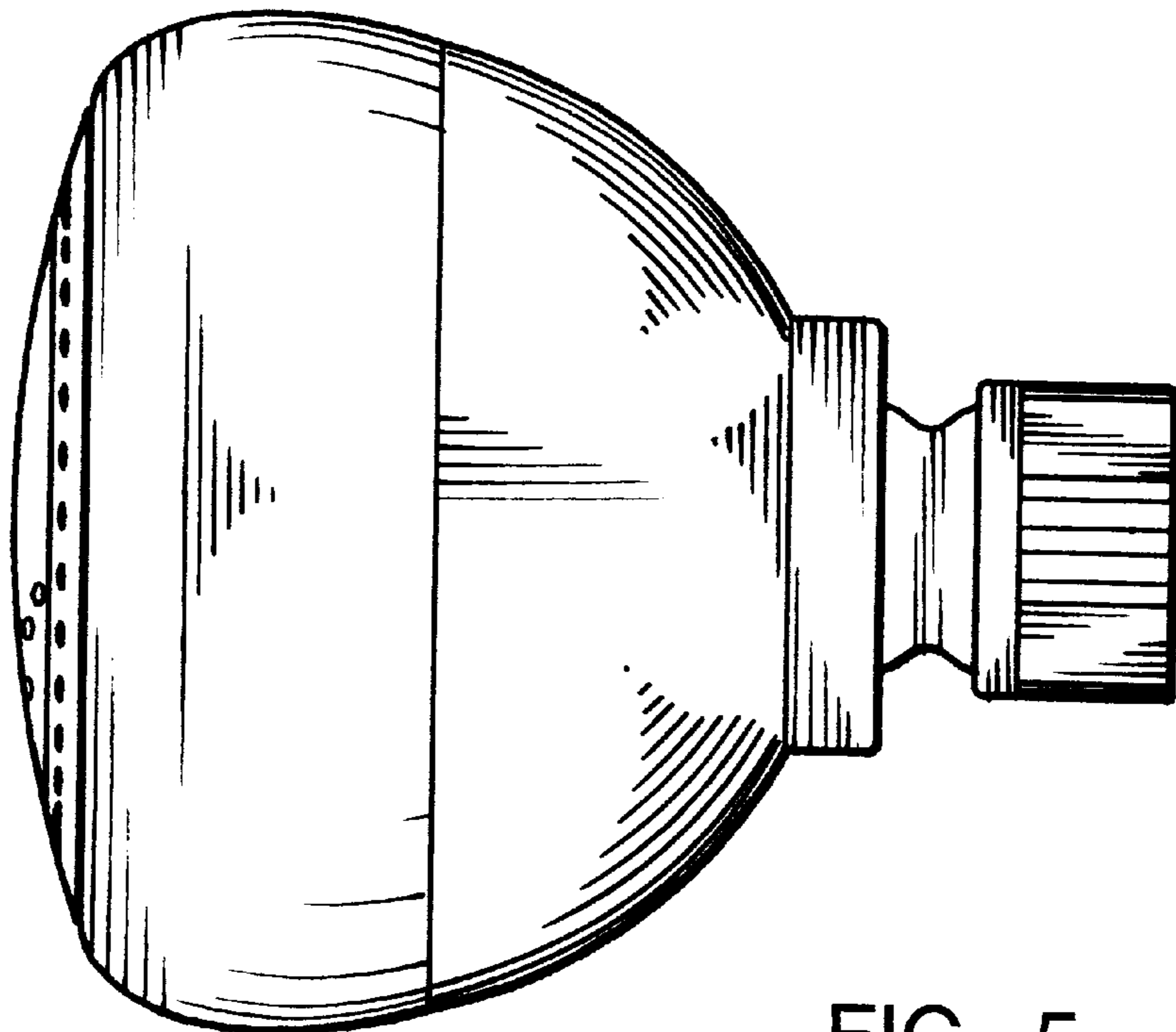


FIG. 5

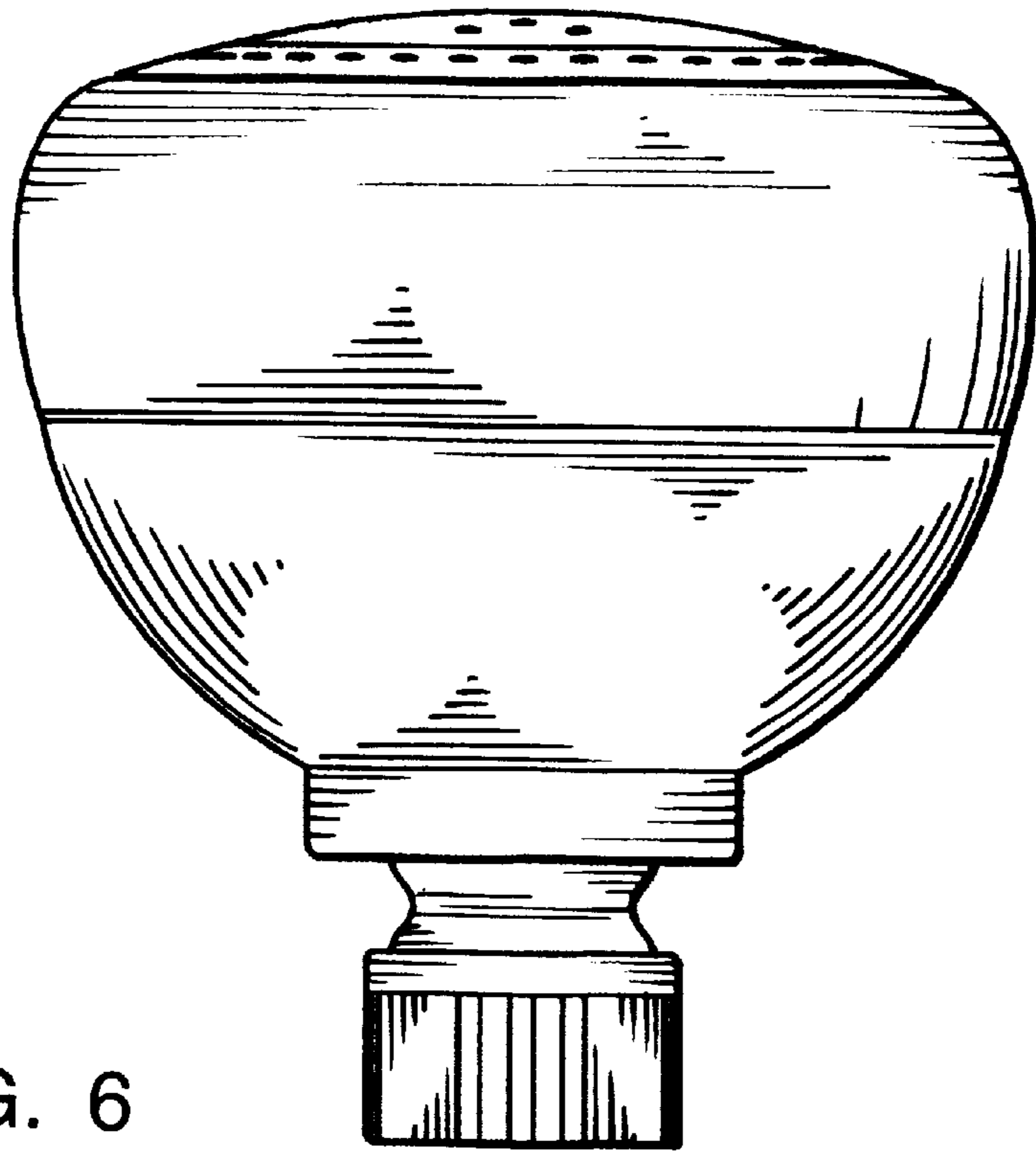


FIG. 6

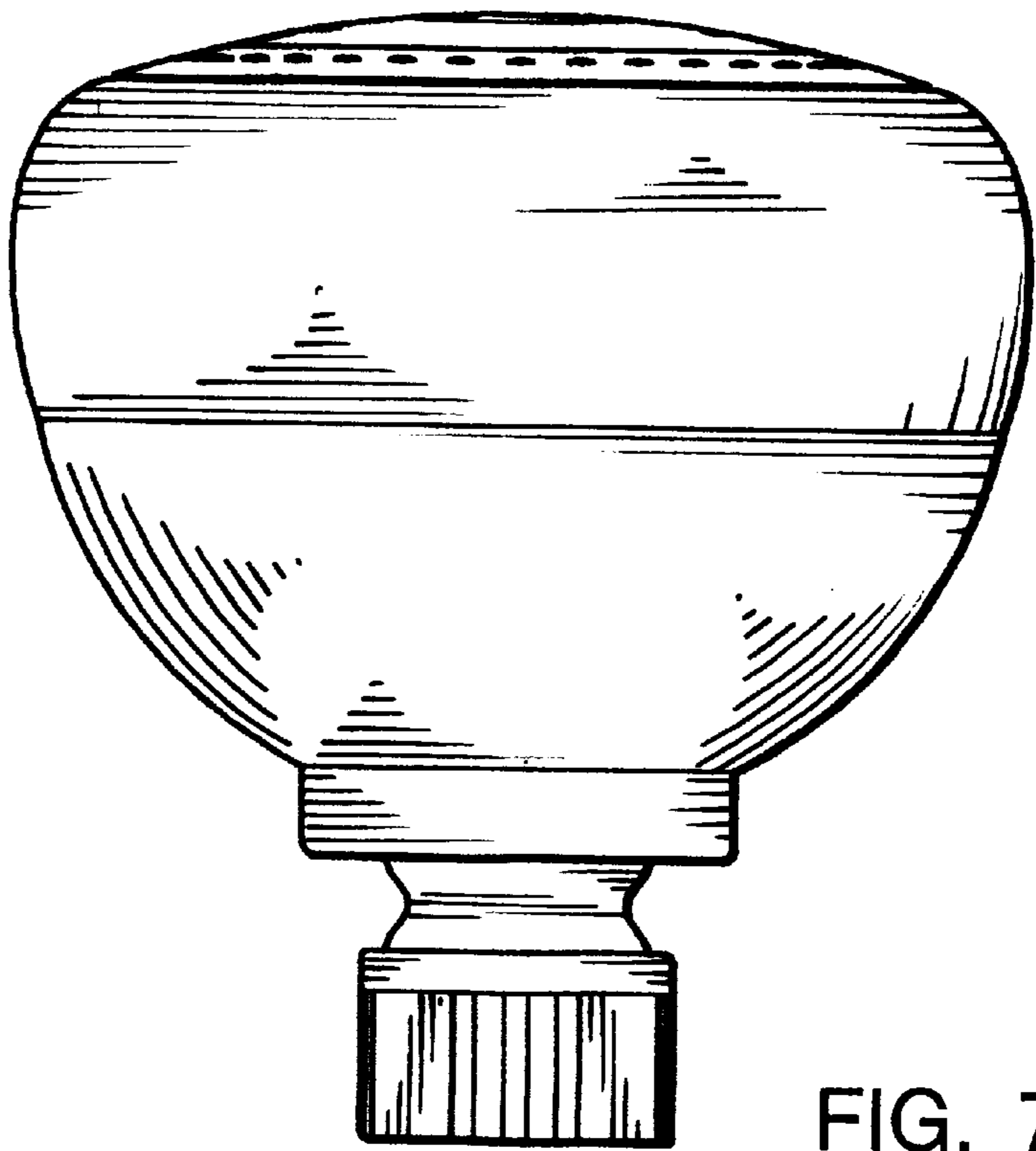


FIG. 7