



US00D431855S

# United States Patent [19] Rose

[11] **Patent Number: Des. 431,855**

[45] **Date of Patent: \*\* Oct. 10, 2000**

[54] **PORTABLE PUTTING PRACTICE AID**

2,858,133 10/1958 Self ..... 473/229

[75] Inventor: **William F. Rose**, Escondido, Calif.

*Primary Examiner*—Mitchell Siegel  
*Attorney, Agent, or Firm*—Gray Cary Ware Freidenrich

[73] Assignee: **Perfect Putt, Inc.**, San Diego, Calif.

[\*\*] Term: **14 Years**

[57] **CLAIM**

The ornamental design for a portable putting practice aid, as shown and described.

[21] Appl. No.: **29/118,294**

[22] Filed: **Feb. 7, 2000**

**DESCRIPTION**

[51] **LOC (7) Cl.** ..... **21-02**

[52] **U.S. Cl.** ..... **D21/791**

[58] **Field of Search** ..... D21/789, 791;  
473/173, 174, 229, 257, 279

FIG. 1 is a perspective view of a first embodiment of the portable putting practice aid;  
FIG. 2 is a top view thereof;  
FIG. 3 is a right side view thereof;  
FIG. 4 is a bottom view thereof;  
FIG. 5 is a first end view thereof;  
FIG. 6 is a second end view thereof; and,  
FIG. 7 is a perspective view of a second embodiment thereof.

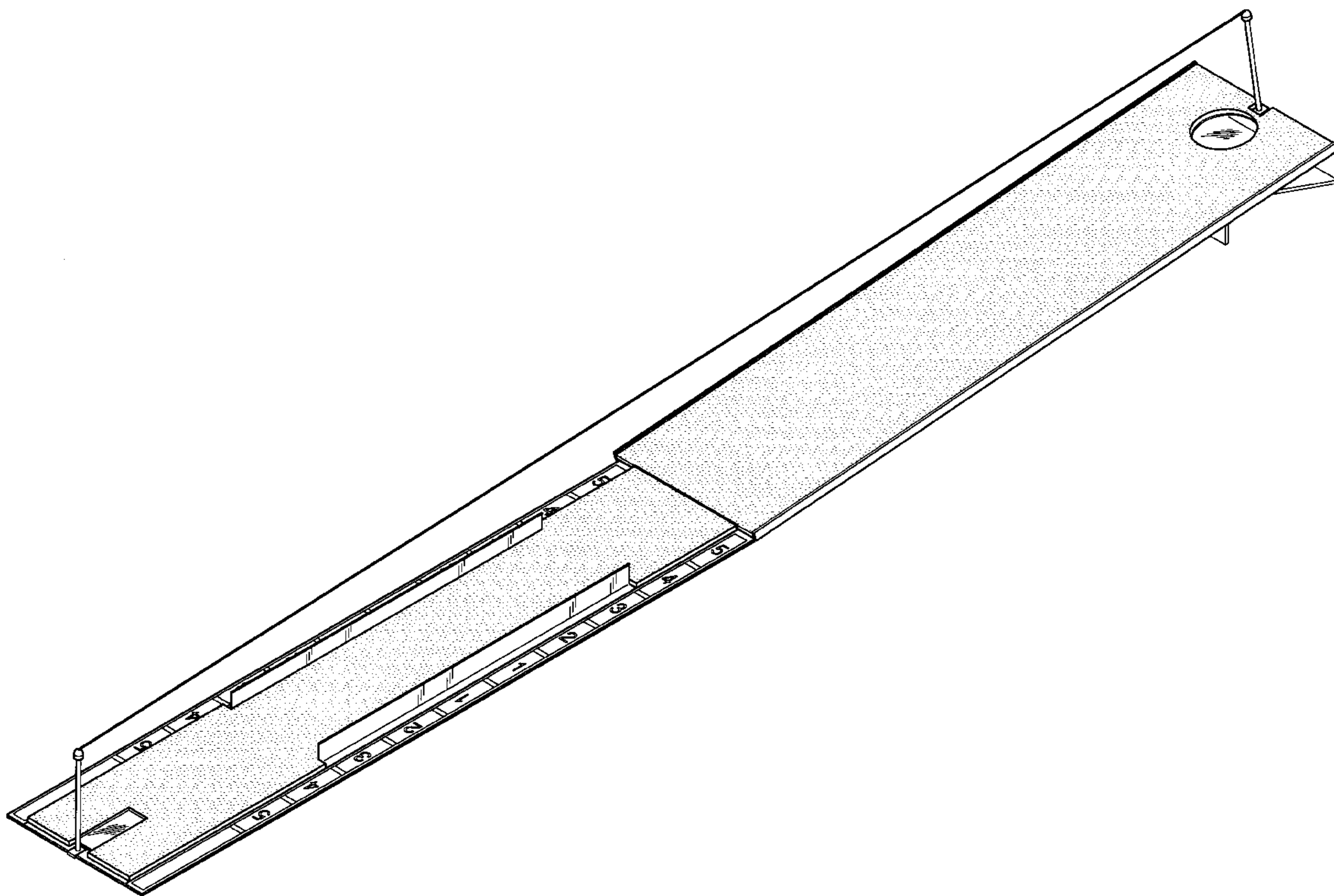
[56] **References Cited**

**U.S. PATENT DOCUMENTS**

- D. 354,107 1/1995 Kueng et al. .... D21/791
- D. 384,385 9/1997 Farage ..... D21/791
- D. 412,955 8/1999 Koch et al. .... D21/717
- D. 417,251 11/1999 Francisco ..... D21/791

The undisclosed sides of the second embodiment are identical to those disclosed in the first embodiment.

**1 Claim, 3 Drawing Sheets**



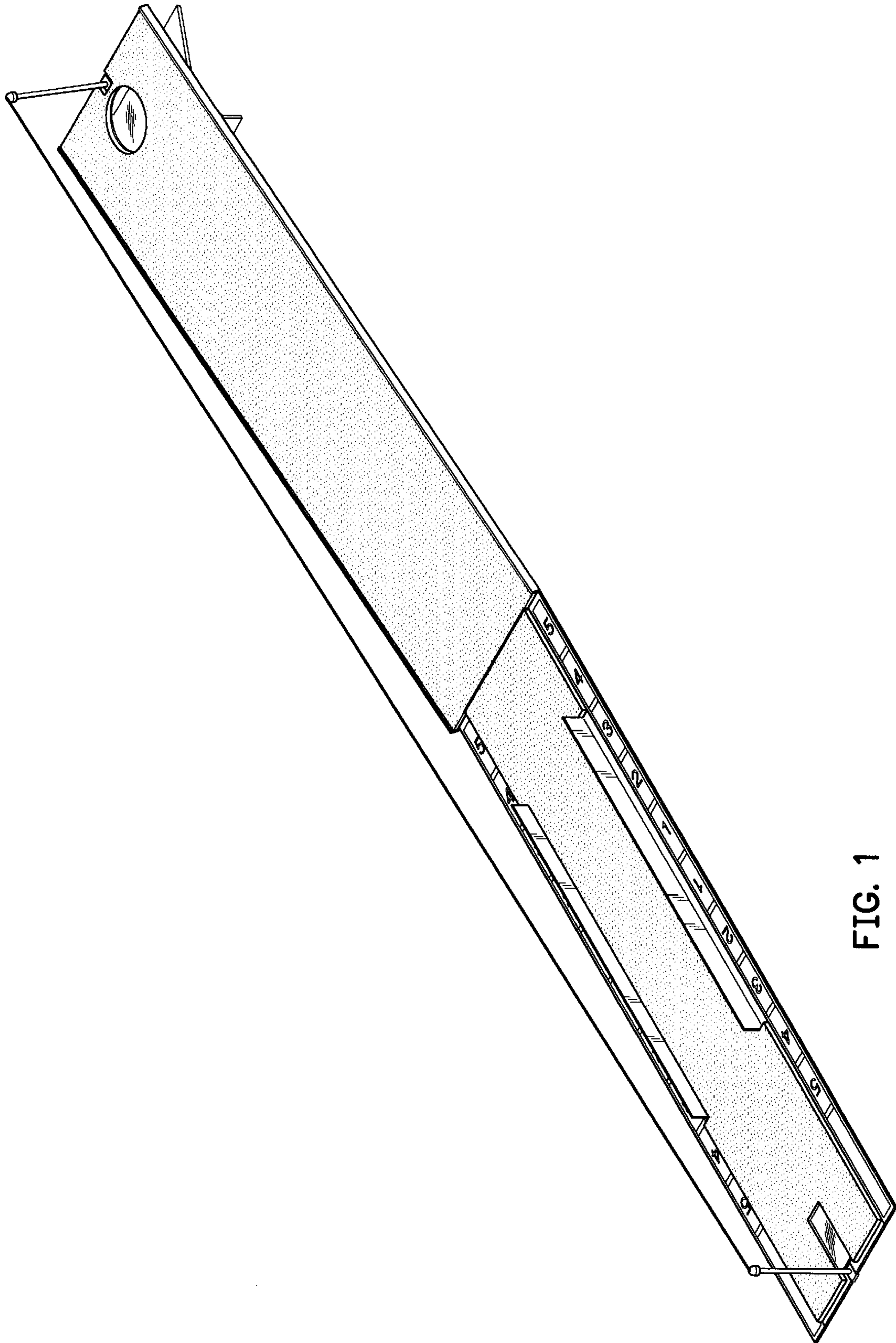


FIG. 1

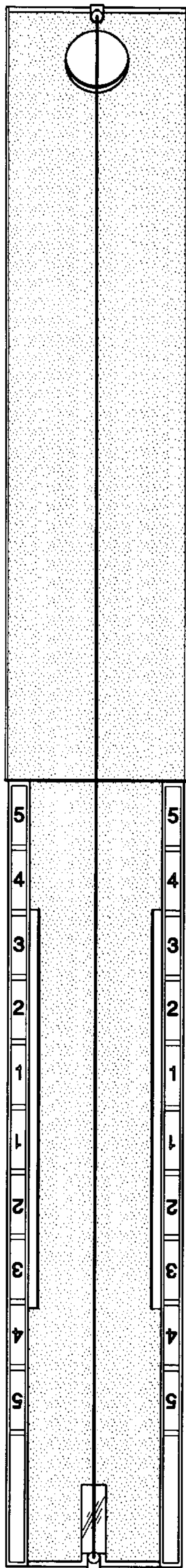


FIG. 2

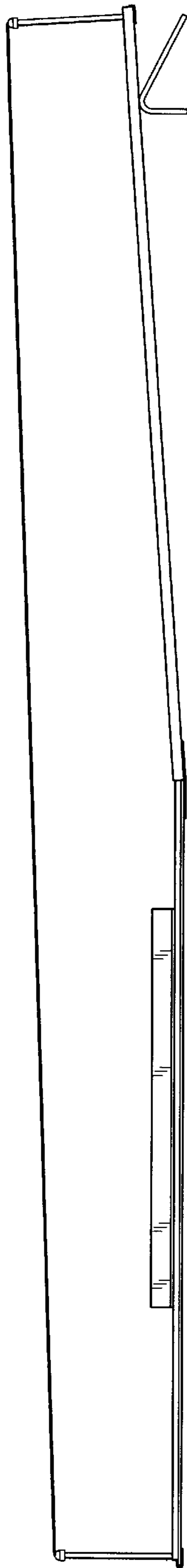


FIG. 3

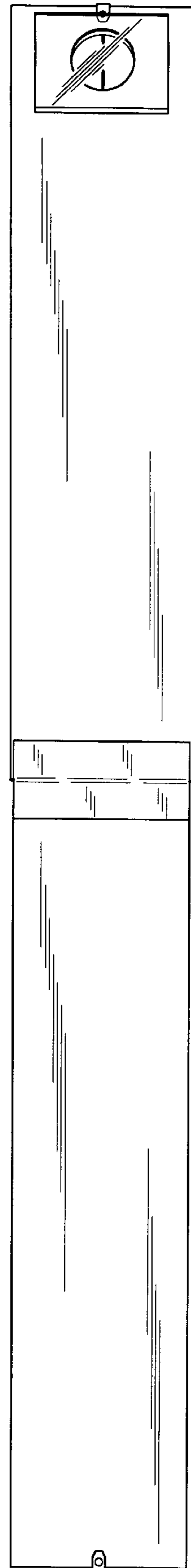


FIG. 4



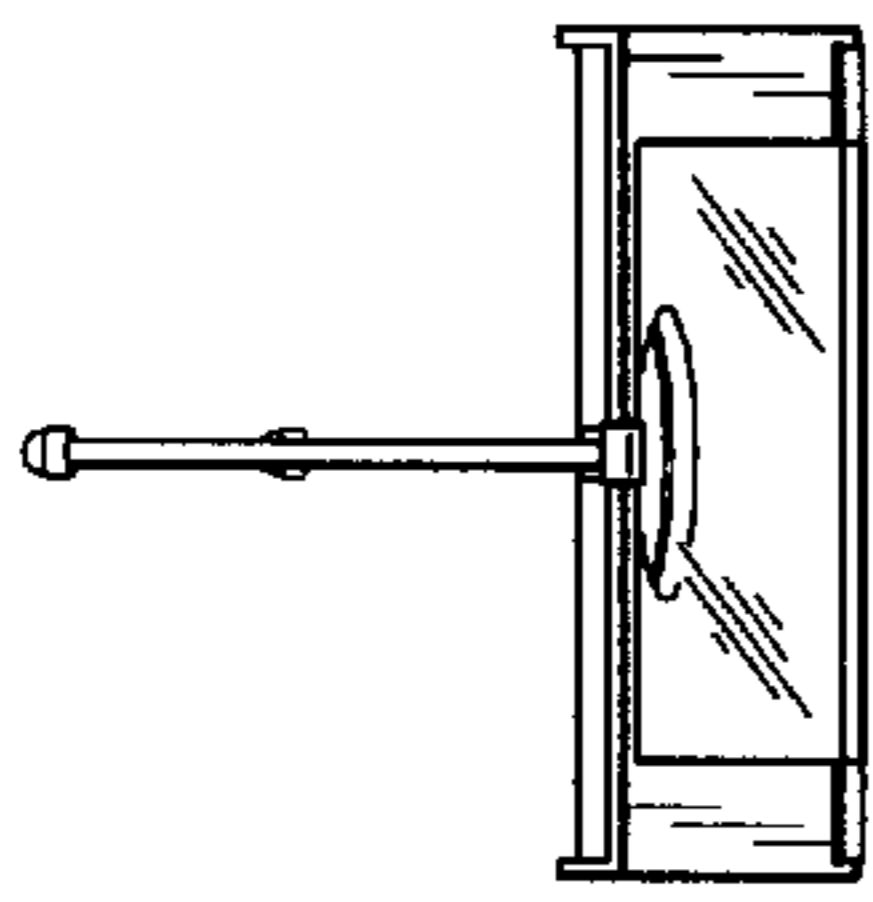


FIG. 5

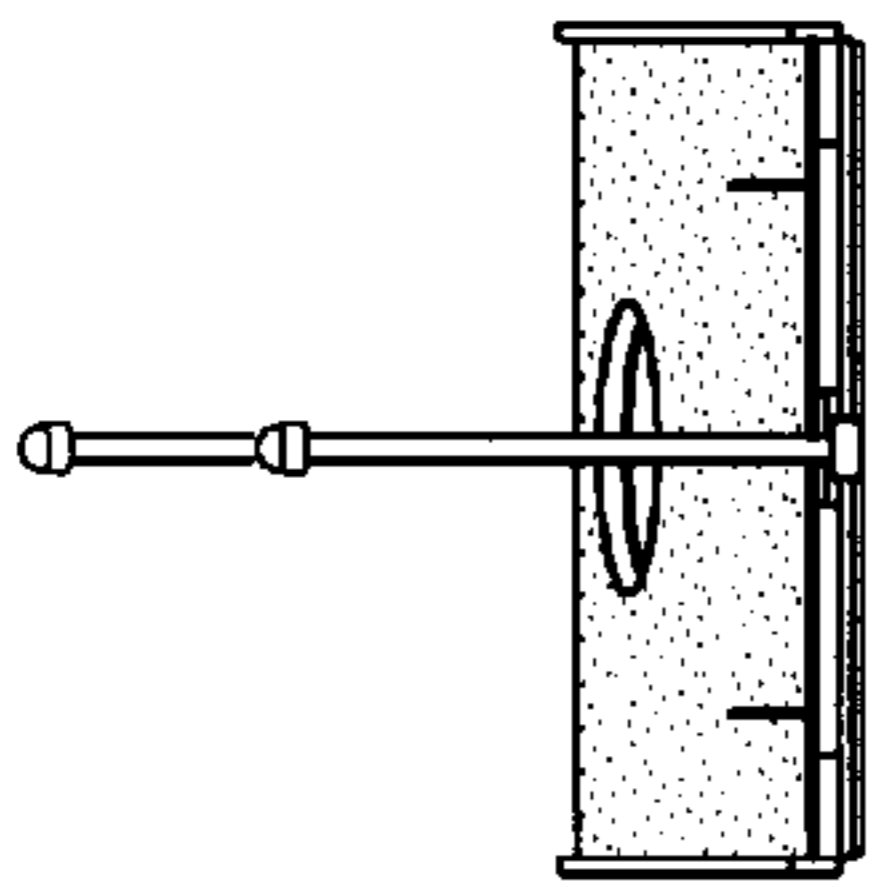


FIG. 6

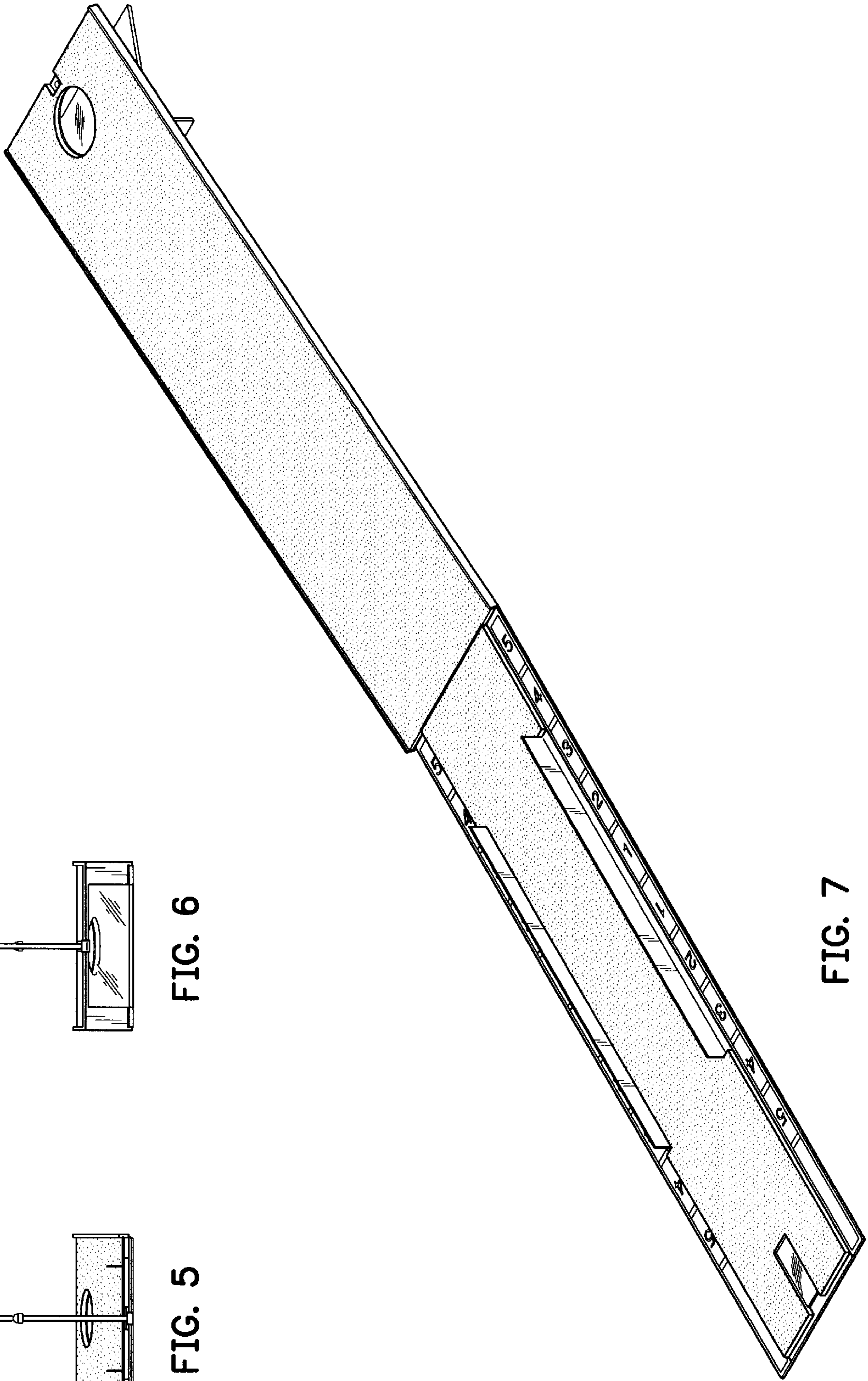


FIG. 7