



US00D431853S

United States Patent [19]

Antonious

[11] **Patent Number: Des. 431,853**

[45] **Date of Patent: ** Oct. 10, 2000**

[54] **PUTTER FACE**

[76] Inventor: **Anthony J. Antonious**, 7738 Calle Facil, Sarasota, Fla. 34238

[**] Term: **14 Years**

[21] Appl. No.: **29/115,142**

[22] Filed: **Dec. 9, 1999**

[51] **LOC (7) Cl. 21-02**

[52] **U.S. Cl. D21/759**

[58] **Field of Search D21/733-752, D21/753, 759; 473/324, 325, 329, 330, 331, 340, 341, 350**

[56] **References Cited**

U.S. PATENT DOCUMENTS

D. 55,278 5/1920 Kraeuter D21/750
D. 193,098 6/1962 Davis, Jr. D21/750

D. 303,415 9/1989 Chorna D21/751
D. 303,699 9/1989 Chorna D21/750
D. 335,694 5/1993 Stuff D21/744
D. 411,275 6/1999 Bottema et al. D21/759
D. 421,081 2/2000 Antonious D21/759

Primary Examiner—Mitchell Siegel
Attorney, Agent, or Firm—Aquilino, Welsh & Flaxman

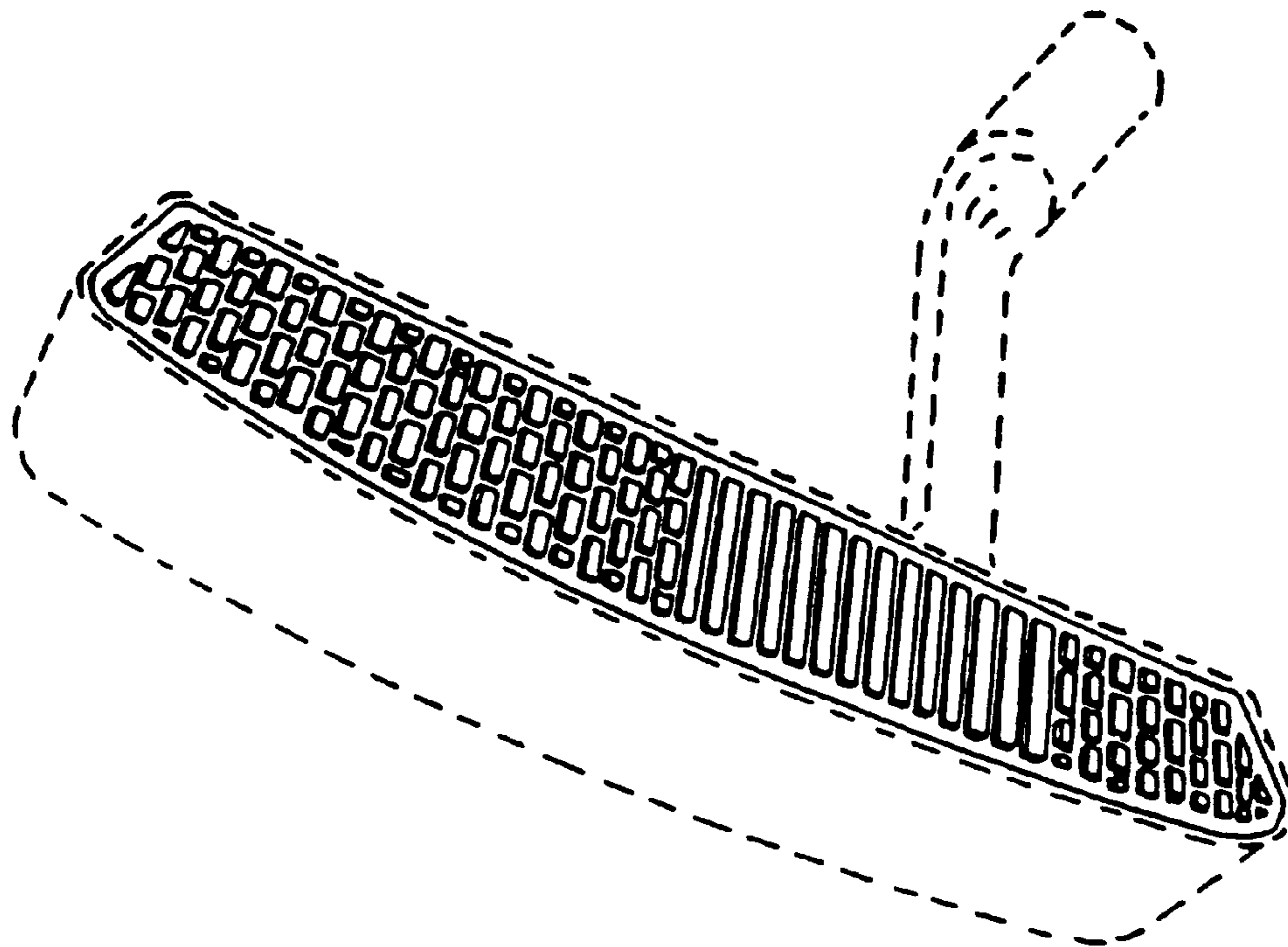
[57] **CLAIM**

The ornamental design for an putter face, as shown and described.

DESCRIPTION

FIG. 1 is a bottom front perspective view of a putter face showing my new design; and, FIG. 2 is a planar front view thereof. The broken line showing of a golf club head is for illustrative purposes only and forms no part of the claimed design.

1 Claim, 1 Drawing Sheet



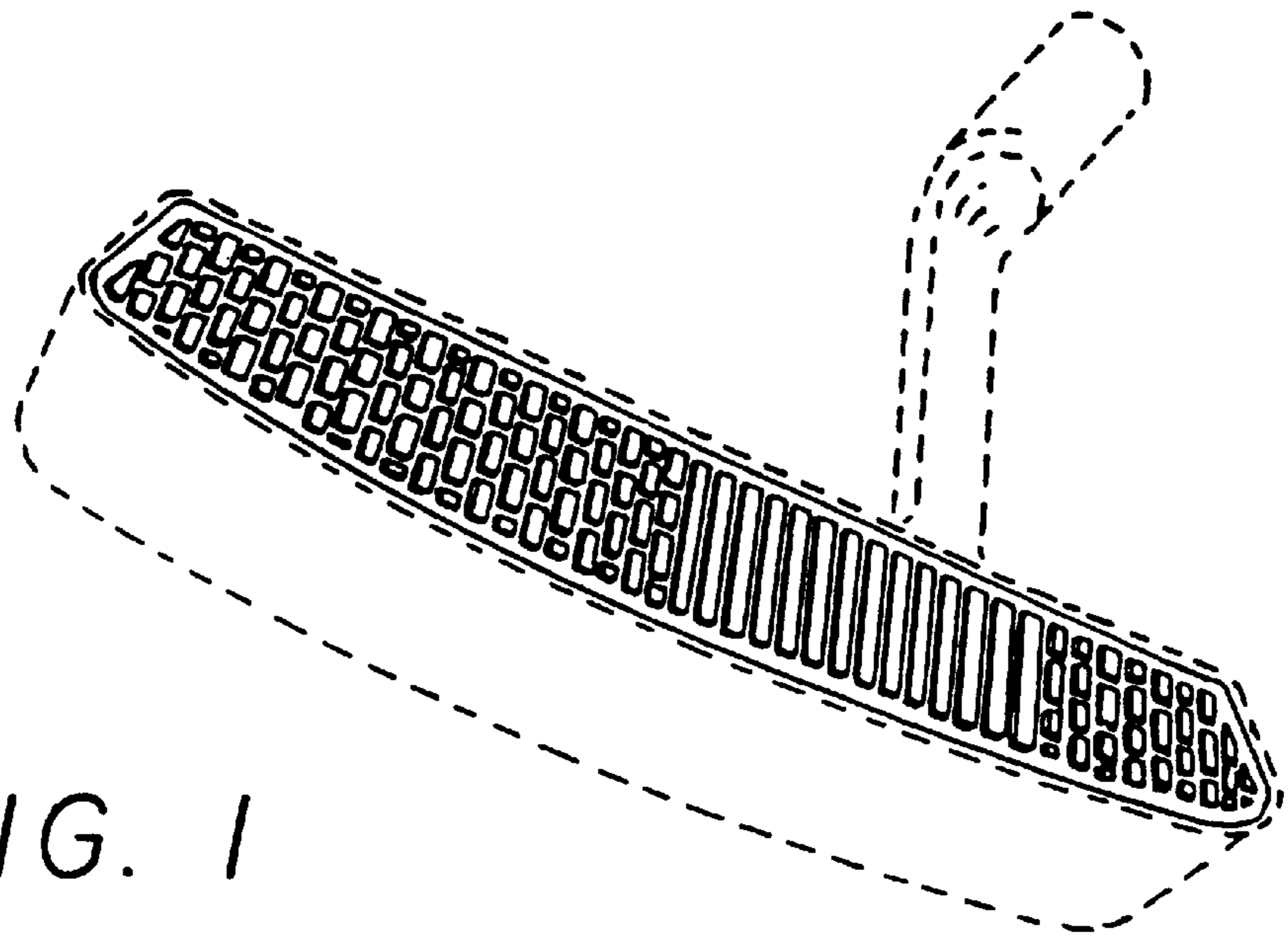


FIG. 1

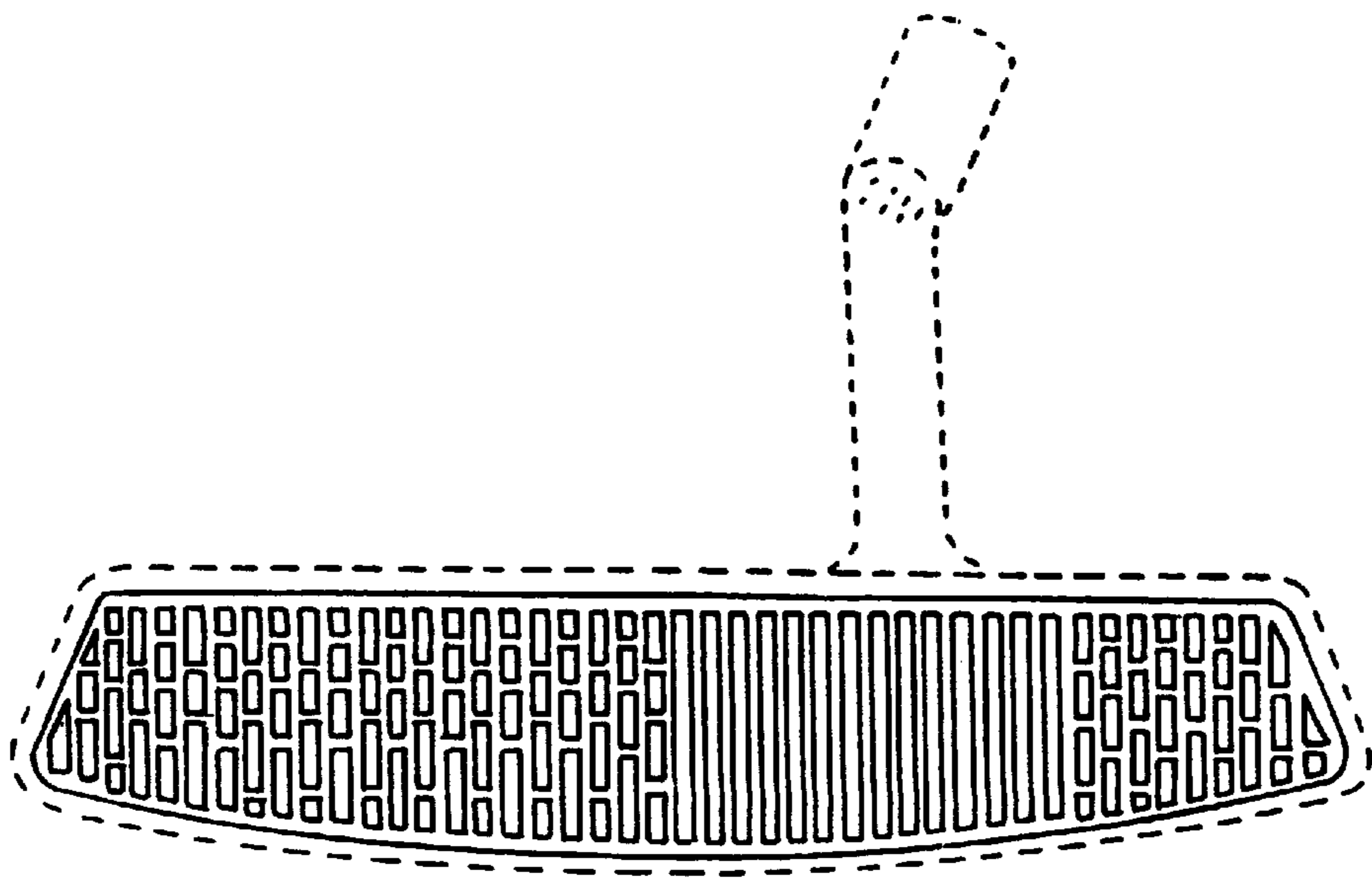


FIG. 2