



US00D431850S

# United States Patent [19] Yang

[11] **Patent Number: Des. 431,850**

[45] **Date of Patent: \*\* Oct. 10, 2000**

[54] **GOLF PUTTER**

*Primary Examiner*—Mitchell Siegel

[76] Inventor: **Kung Chi Yang**, 244 Fairbank Crescent, Thunder Bay, Ontario, Canada, P7B 5L9

[57] **CLAIM**

The ornamental design for a golf putter, as shown and described.

[\*\*] Term: **14 Years**

### DESCRIPTION

[21] Appl. No.: **29/090,580**

FIG. 1 is a top perspective view of a golf putter showing my new design;

[22] Filed: **Jul. 10, 1998**

FIG. 2 is a rear elevational view thereof;

[51] **LOC (7) Cl.** ..... **21-02**

FIG. 3 is a front elevational view thereof;

[52] **U.S. Cl.** ..... **D21/736**

FIG. 4 is a top plan view thereof;

[58] **Field of Search** ..... D21/736-746;  
473/251-256, 340, 341, 324

FIG. 5 is a bottom plan view thereof;

### [56] **References Cited**

FIG. 6 is a right side elevational view of FIG. 1;

FIG. 7 is a left side elevational view of FIG. 1;

#### U.S. PATENT DOCUMENTS

FIG. 8 is an enlarged top perspective view of a second embodiment of the golf putter as disclosed in FIG. 1, the shaft shown fragmented for ease of illustrations

D. 239,401	3/1976	Kindred	.....	D21/741
D. 239,402	3/1976	Kindred	.....	D21/741
D. 239,725	4/1976	Kindred	.....	D21/757
D. 291,343	8/1987	Shearer	.....	D21/744
D. 297,445	8/1988	Shearer	.....	D21/743
D. 310,699	9/1990	Parente et al.	.....	D21/739
D. 380,514	7/1997	Markley	.....	D21/741
D. 385,320	10/1997	Schmidt	.....	D21/742
4,986,544	1/1991	Benson	.....	473/254

FIG. 9 is a rear elevational view of FIG. 8;

FIG. 10 is a front elevational view of FIG. 8;

FIG. 11 is a top plan view of FIG. 8;

FIG. 12 is a bottom plan view of FIG. 8;

#### OTHER PUBLICATIONS

Golf World; p. 53; Callaway, Hickory Stick Models 1 and 2, Jun. 1986.

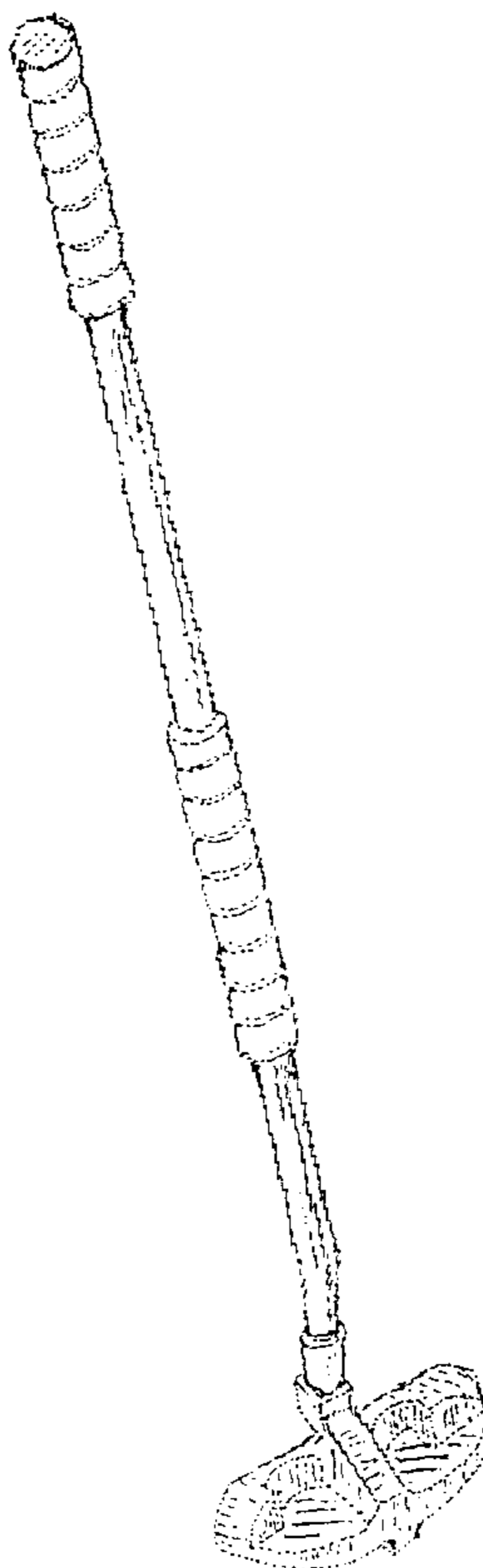
Austad's; p. 18; NB2, NB2L, and NB3 putter, second column, middle of page, Feb. 1988.

FIG. 13 is a left side elevational view of FIG. 8; and,

FIG. 14 is a right side elevational view of FIG. 8.

FIGS. 8,9,10,13 and 14 disclose the shaft broken away due to indeterminate length.

**1 Claim, 6 Drawing Sheets**



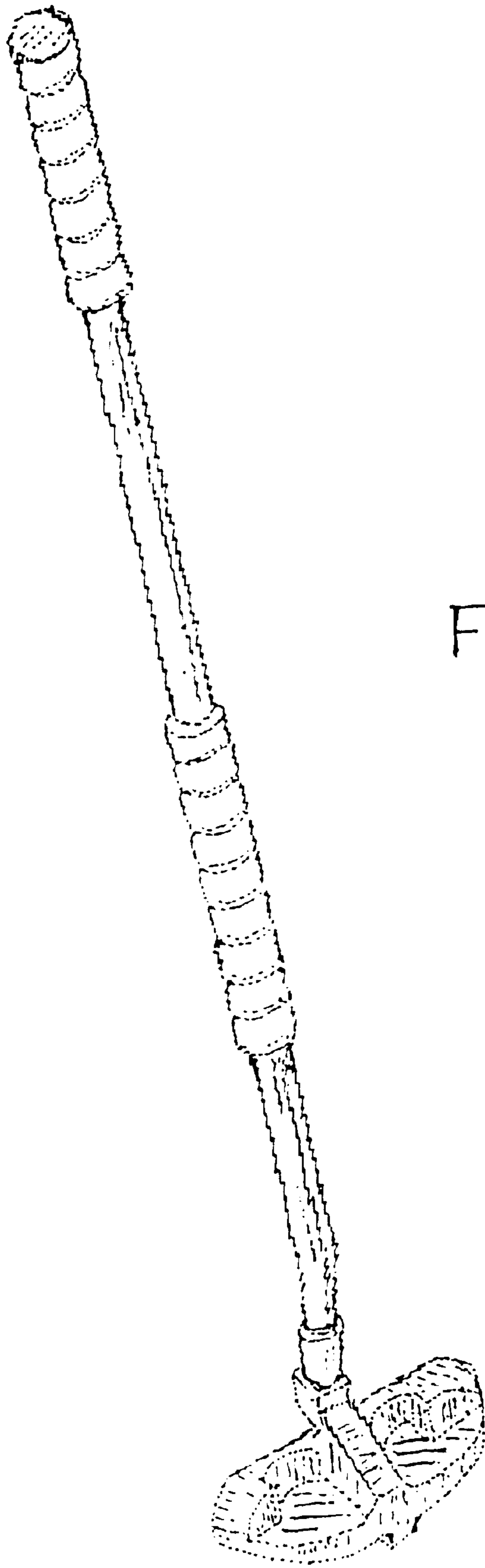
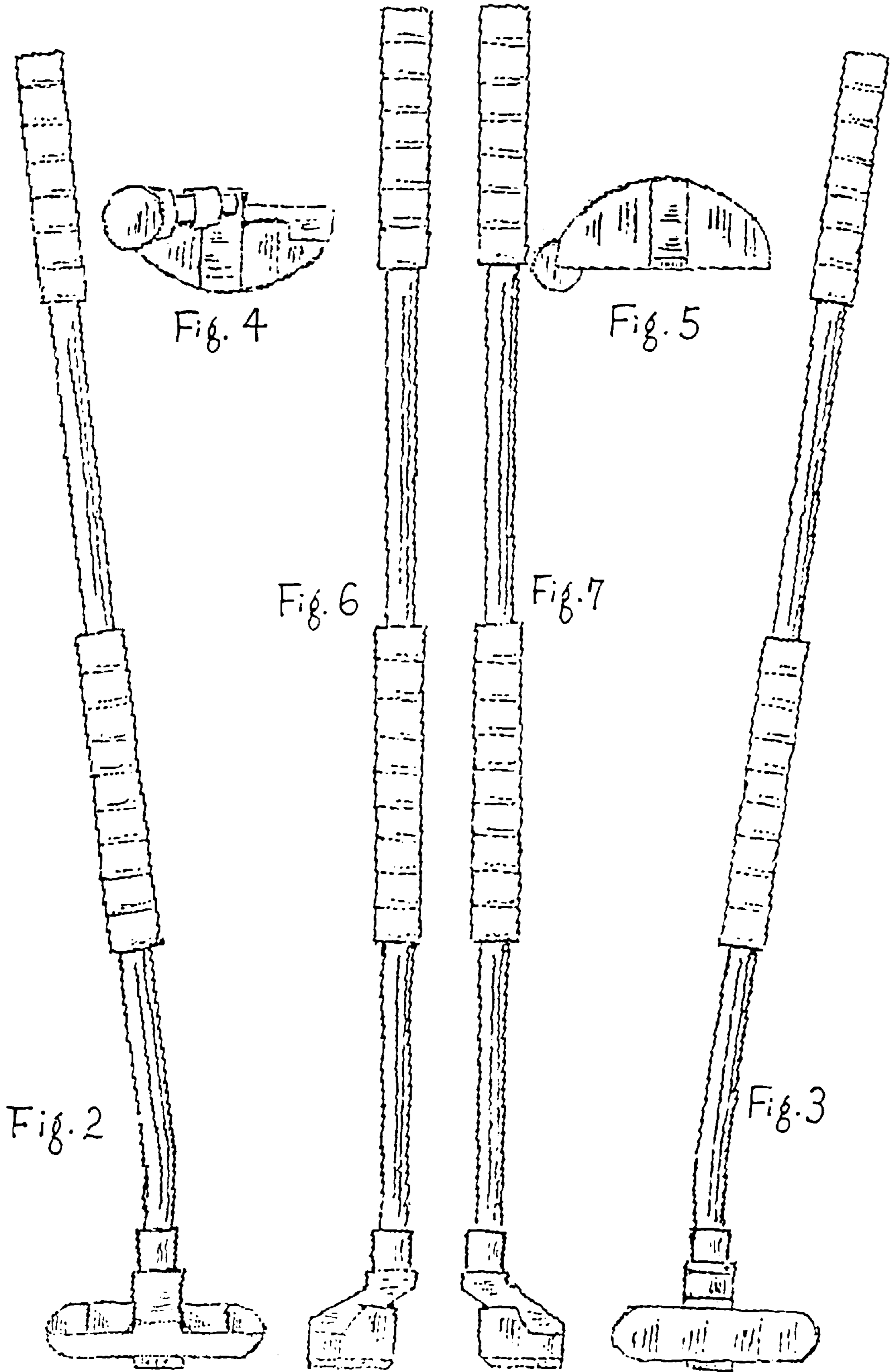
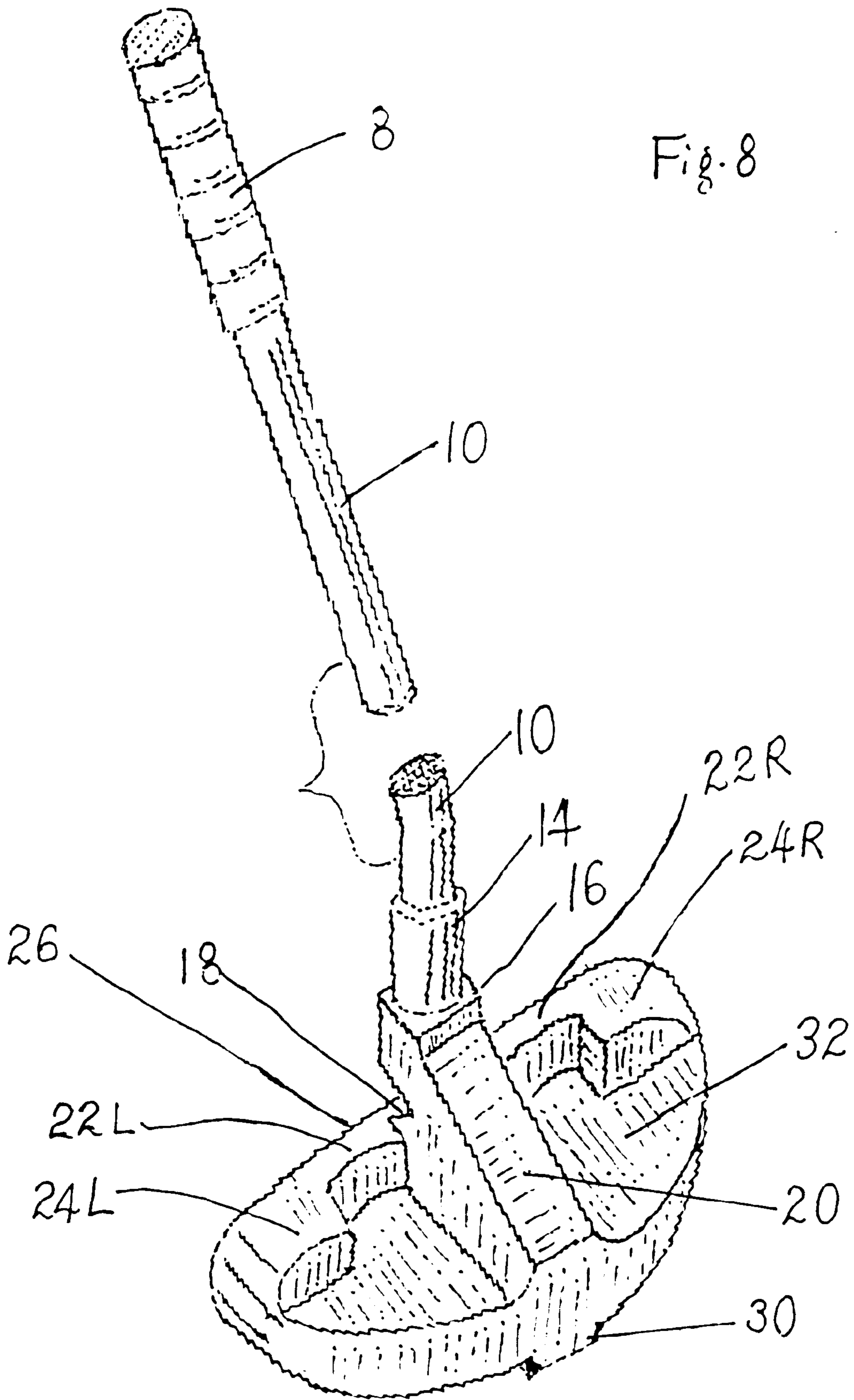
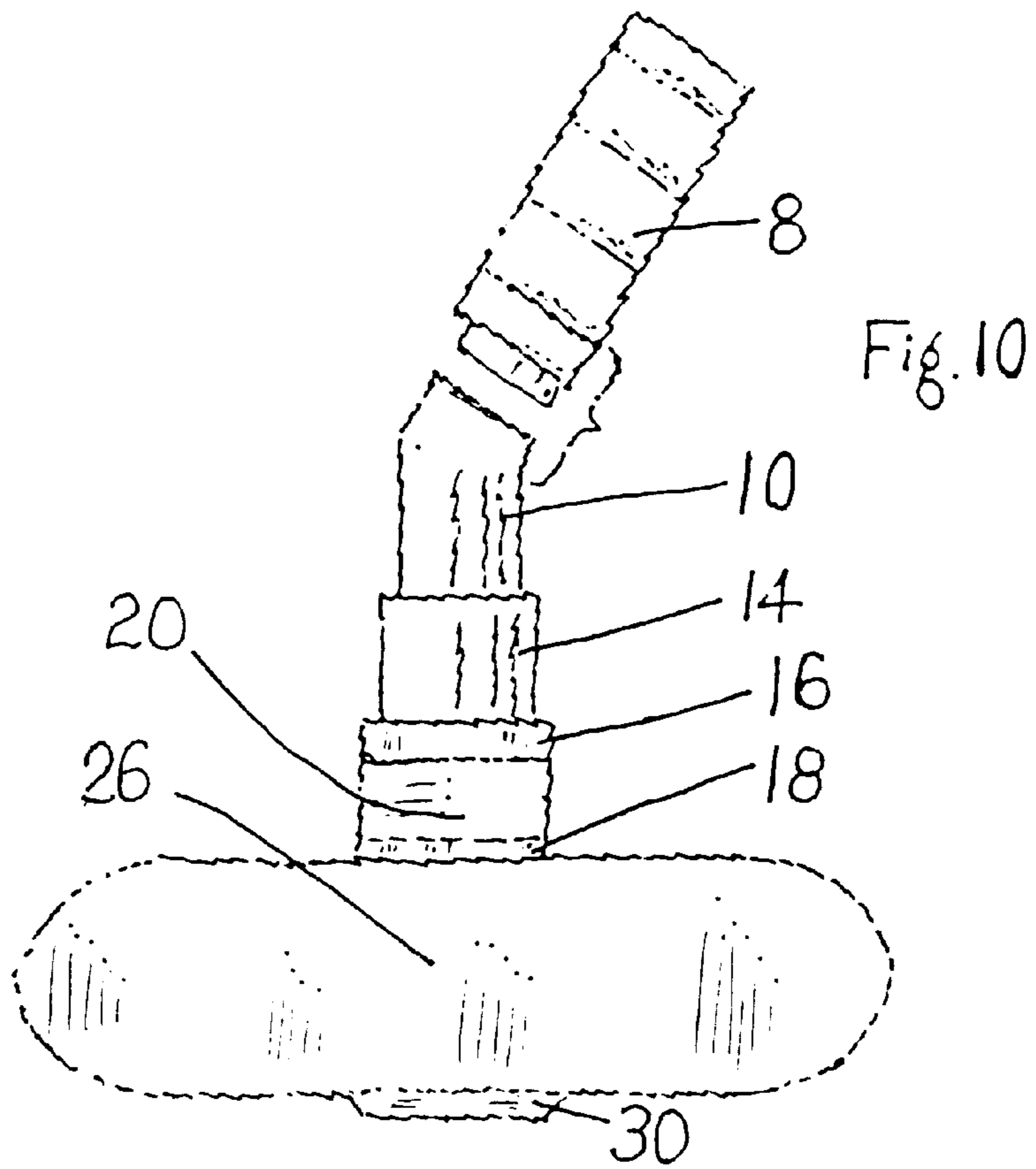
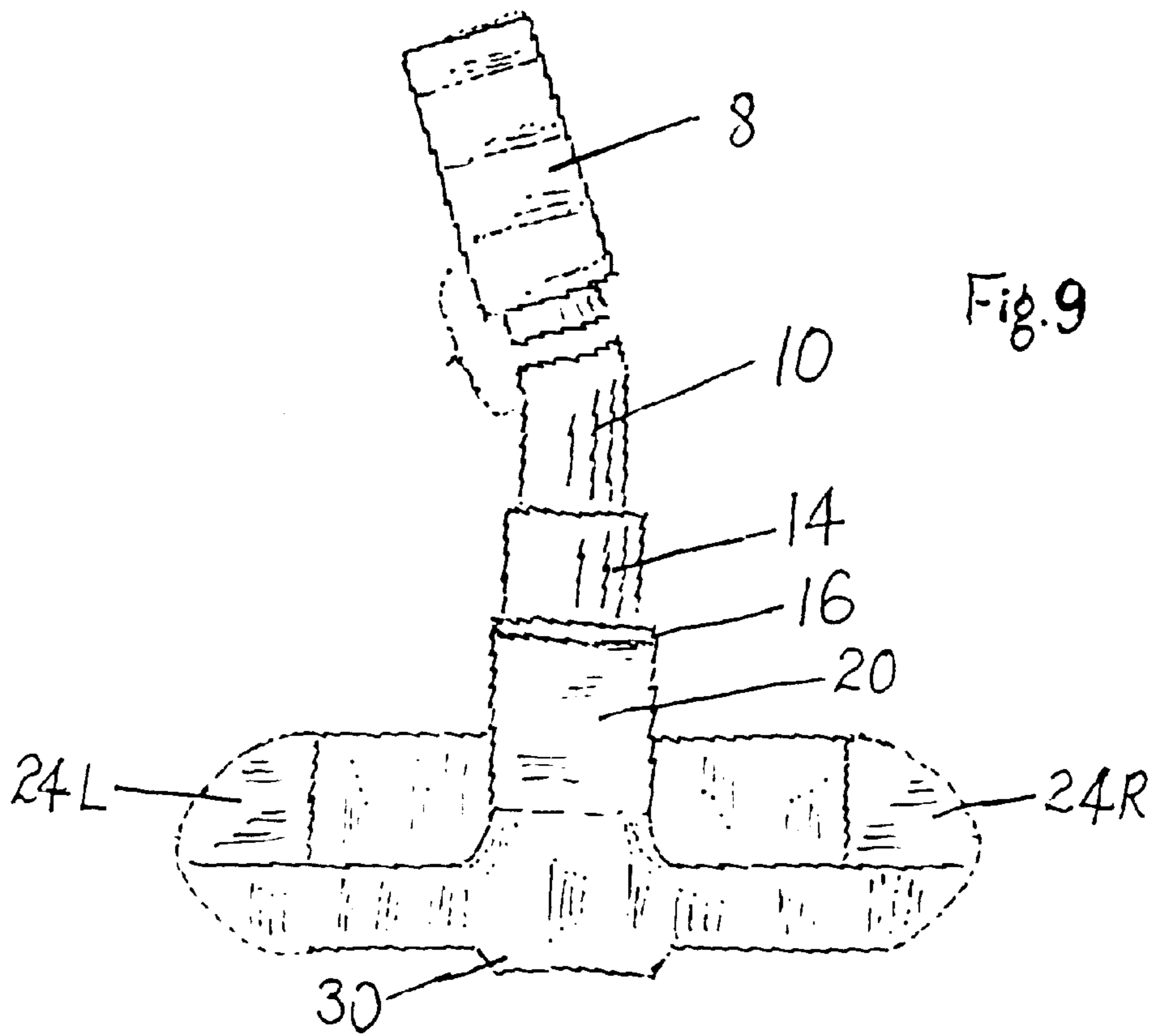
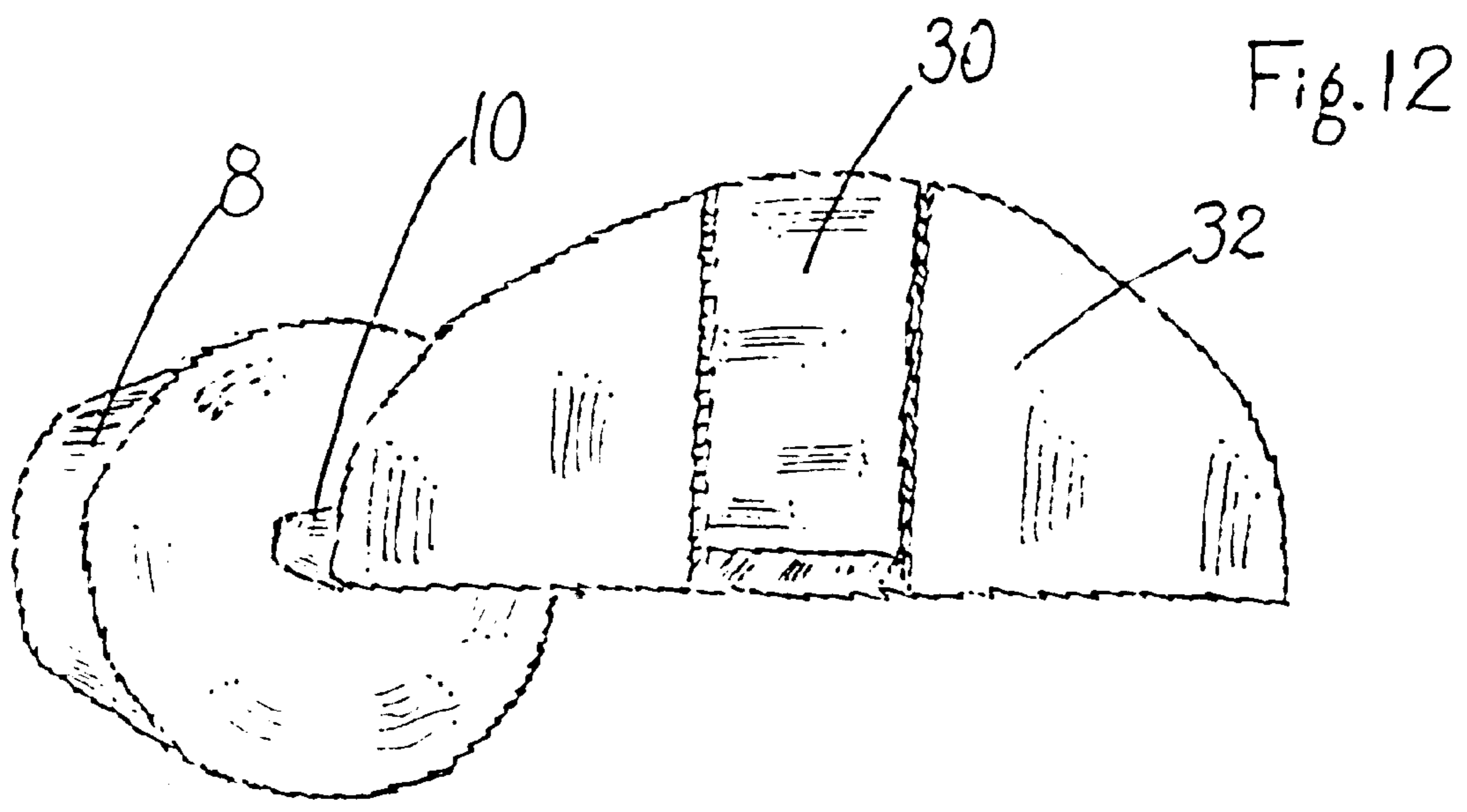
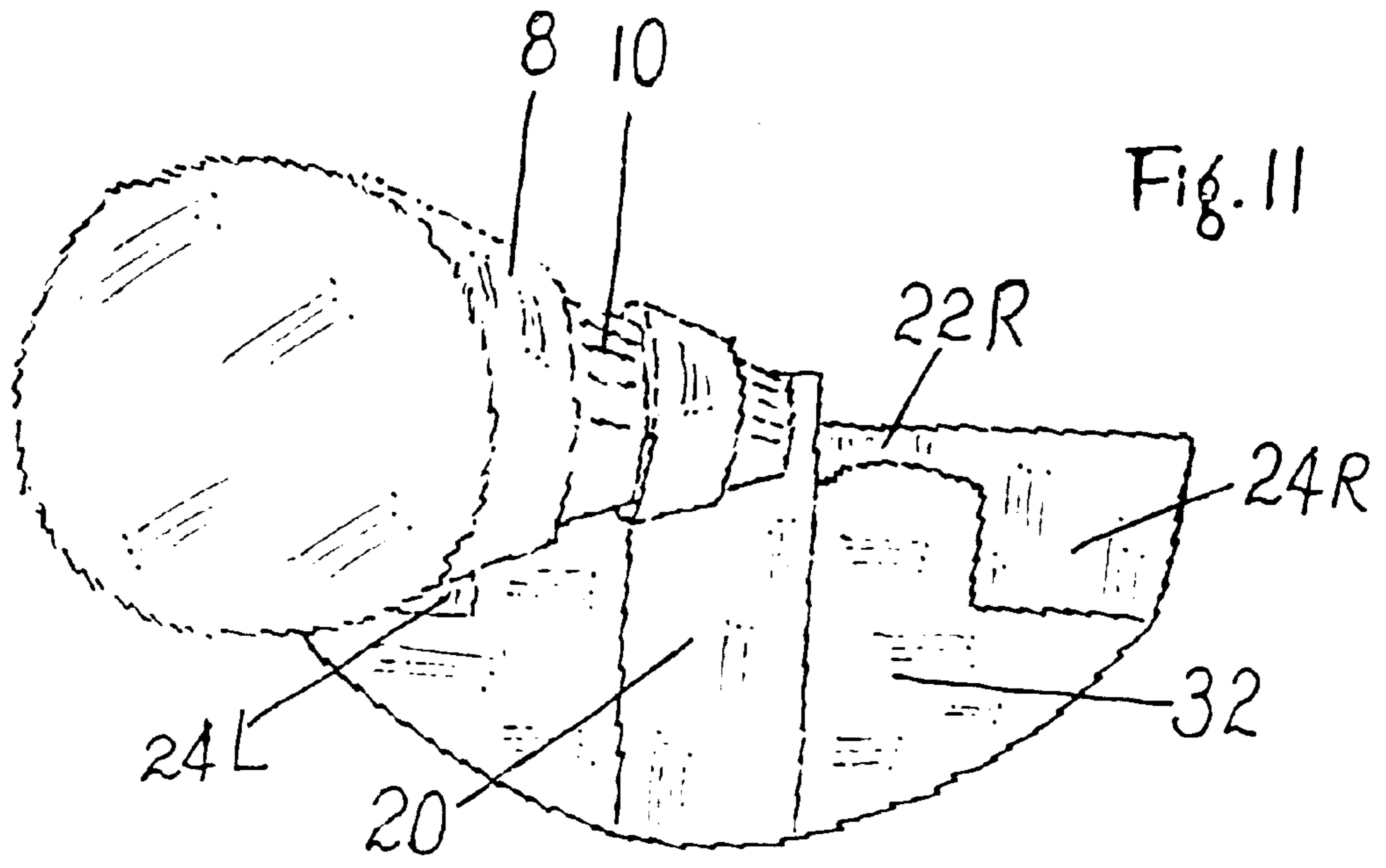


Fig. 1









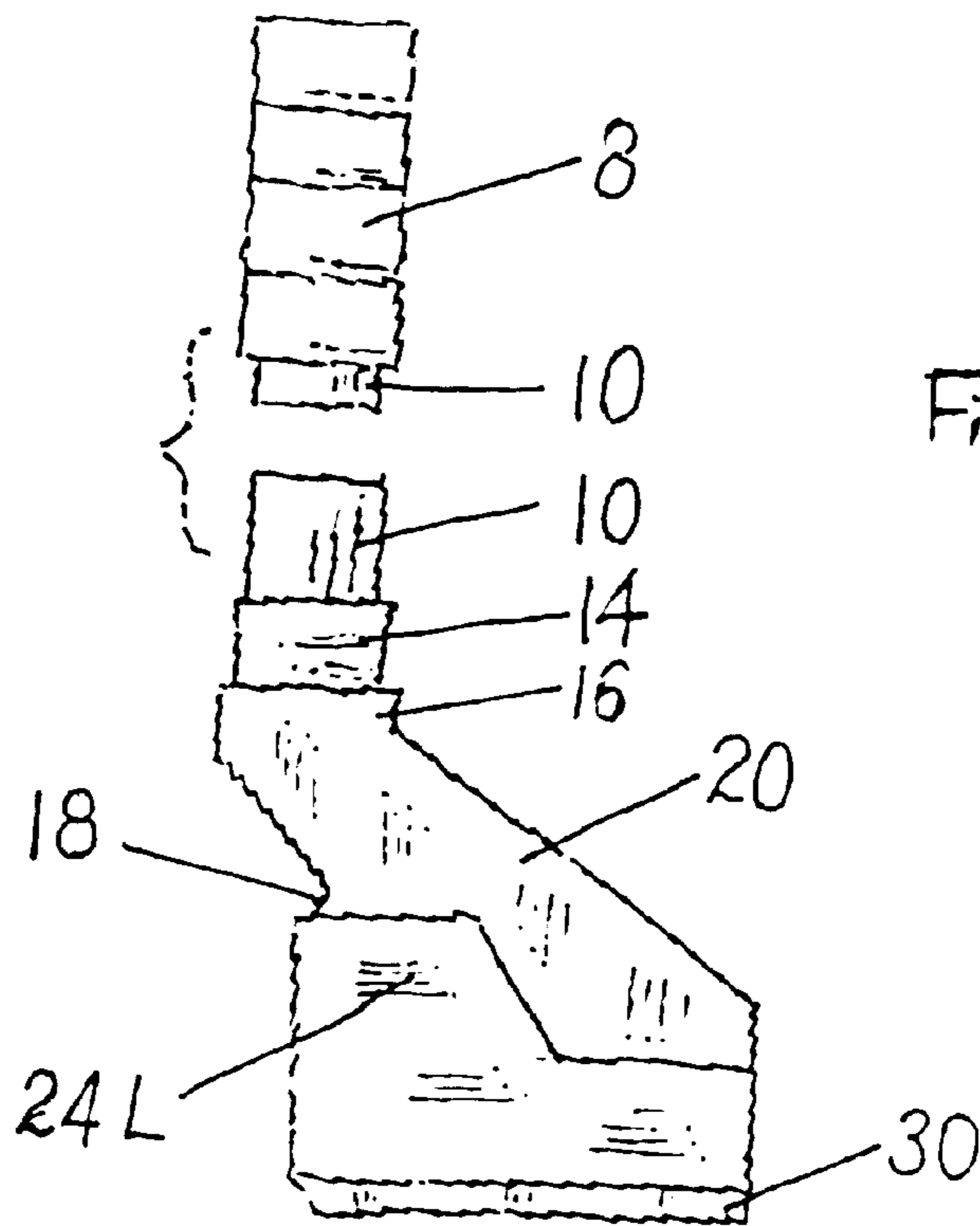


Fig. 13

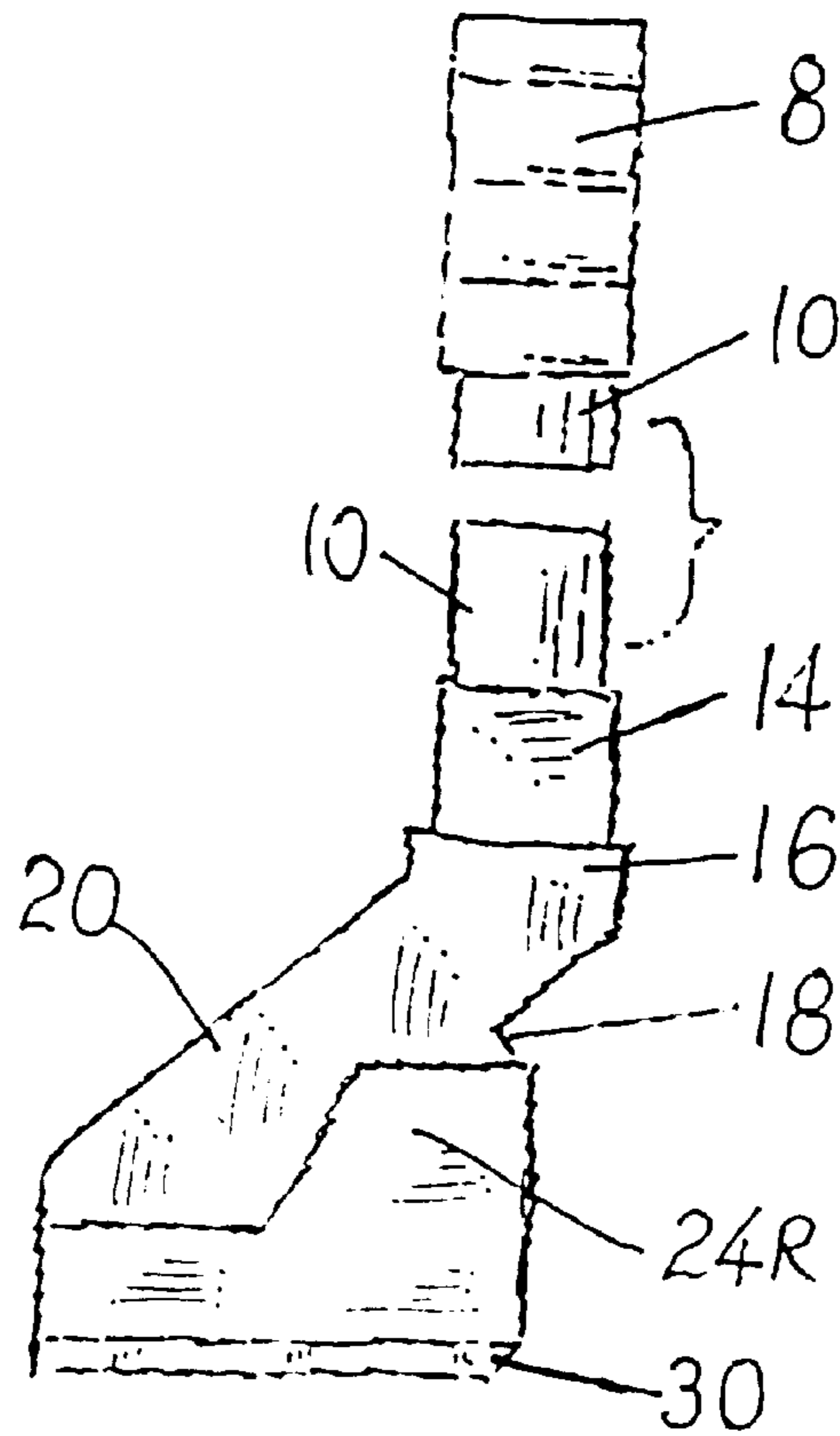


Fig. 14