



US00D431845S

United States Patent [19] Huntsberger

[11] Patent Number: **Des. 431,845**

[45] Date of Patent: **** Oct. 10, 2000**

[54] **CHILDREN'S RIDE-ON VEHICLE**

[75] Inventor: **Kurt J. Huntsberger**, Chaffee, N.Y.

[73] Assignee: **Mattel, Inc.**, El Segundo, Calif.

[**] Term: **14 Years**

[21] Appl. No.: **29/100,136**

[22] Filed: **Feb. 5, 1999**

[51] **LOC (7) Cl.** **21-01**

[52] **U.S. Cl.** **D21/434**

[58] **Field of Search** D21/419-435,
D21/533, 552, 554, 559; D12/16, 87-88;
446/424, 425, 427, 433, 454, 456, 457,
462, 465, 470; 280/87.01, 87.021, 828

[56] **References Cited**

U.S. PATENT DOCUMENTS

D. 277,494	2/1985	Lerch .	
D. 328,317	7/1992	Harrod	D21/433
D. 366,071	1/1996	Harrod .	
D. 395,023	6/1998	Hikida	D12/16
D. 397,737	9/1998	Harrod	D21/434
D. 397,738	9/1998	Liu	D21/434

OTHER PUBLICATIONS

Fisher-Price® Toyfair Catalog, cover and p. 89, 1997.

Fisher-Price® Toyfair Catalog, cover and p. 90, 1996.

Sears Wishbook, p. 579, 1992.

Ohio Art, p. 39, 1987.

Primary Examiner—Raphael Barkai

Attorney, Agent, or Firm—Kolisch, Hartwell, Dickinson,
McCormack & Heuser

[57] **CLAIM**

The ornamental design for a children's ride-on vehicle, as shown and described.

DESCRIPTION

FIG. 1 is a front perspective view of a children's ride-on vehicle showing the invented design;

FIG. 2 is a left perspective view thereof;

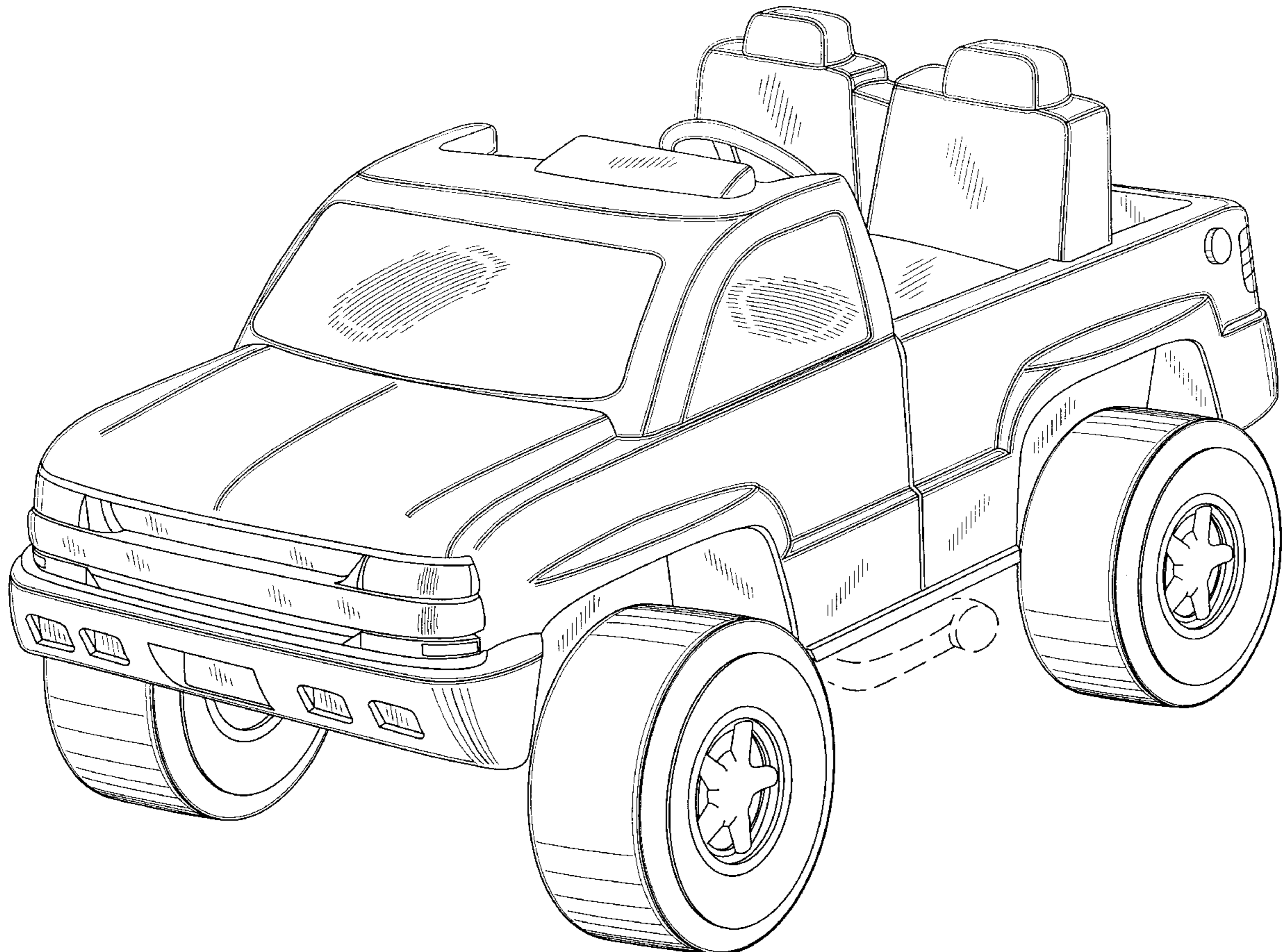
FIG. 3 is a right perspective view thereof;

FIG. 4 is a top perspective view thereof; and,

FIG. 5 is a rear perspective view thereof.

The broken lines shown in FIGS. 1-4 are for illustrative purposes only and form no part of the claimed design.

1 Claim, 3 Drawing Sheets



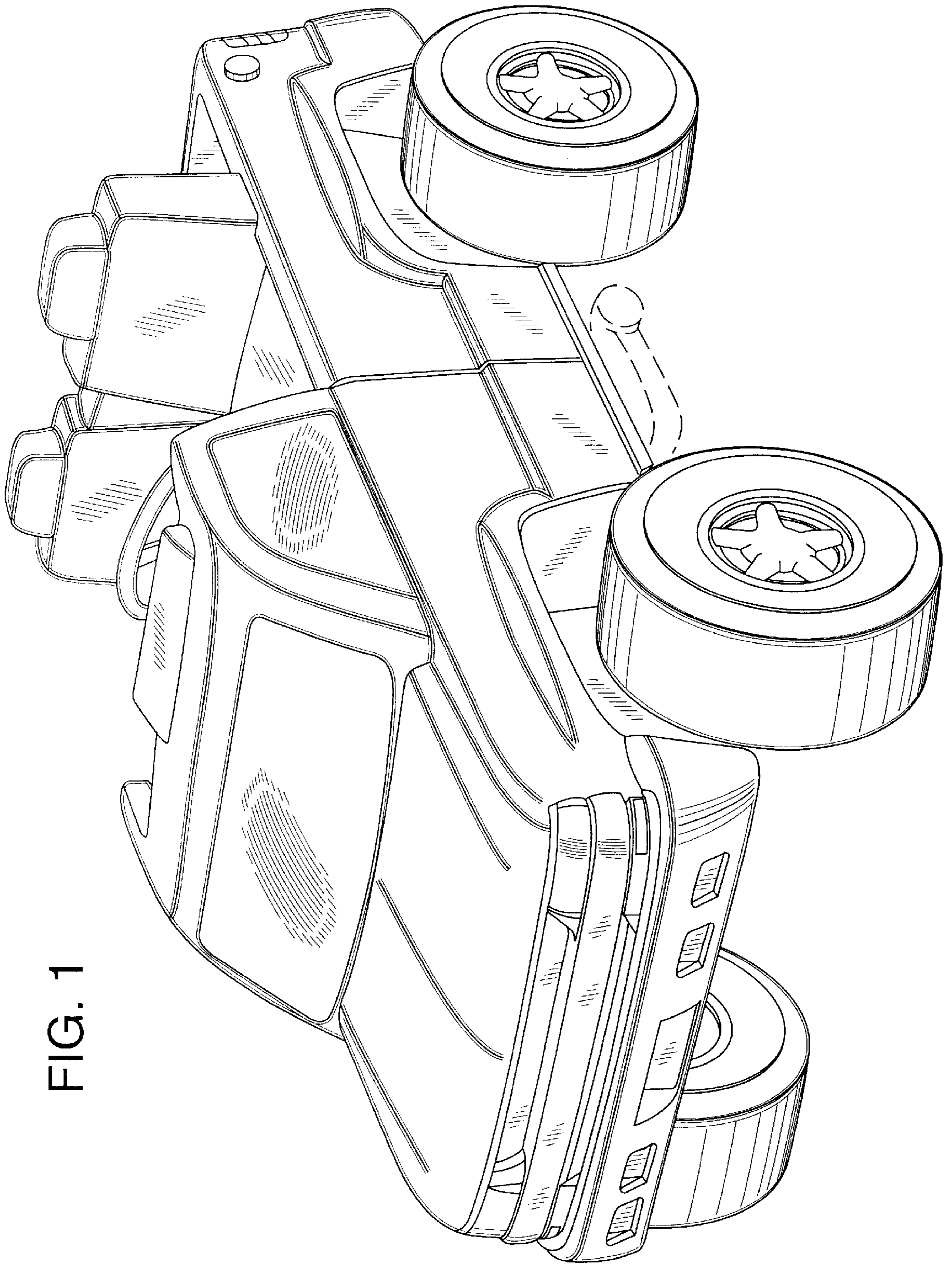


FIG. 1

FIG. 2

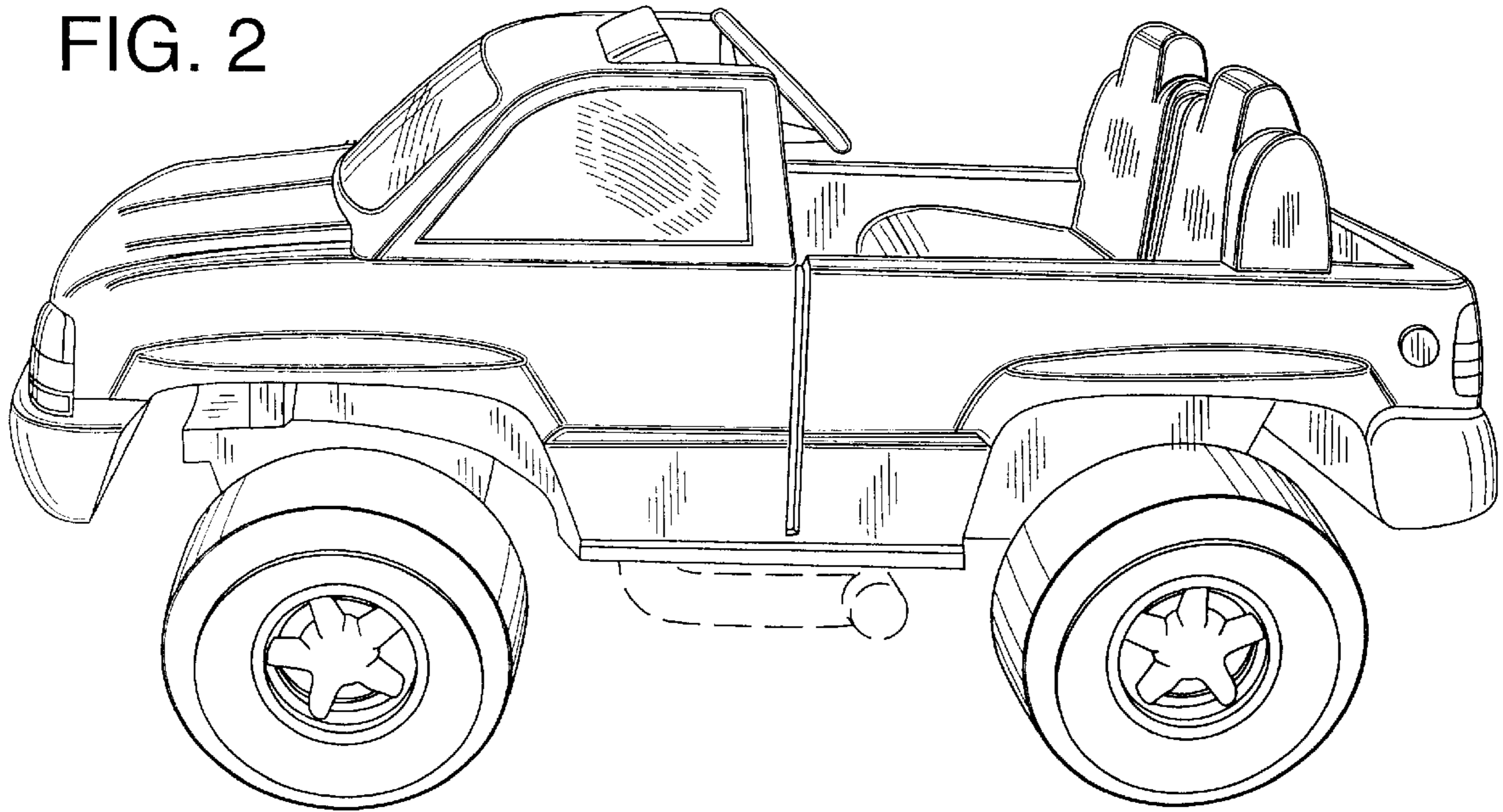


FIG. 3

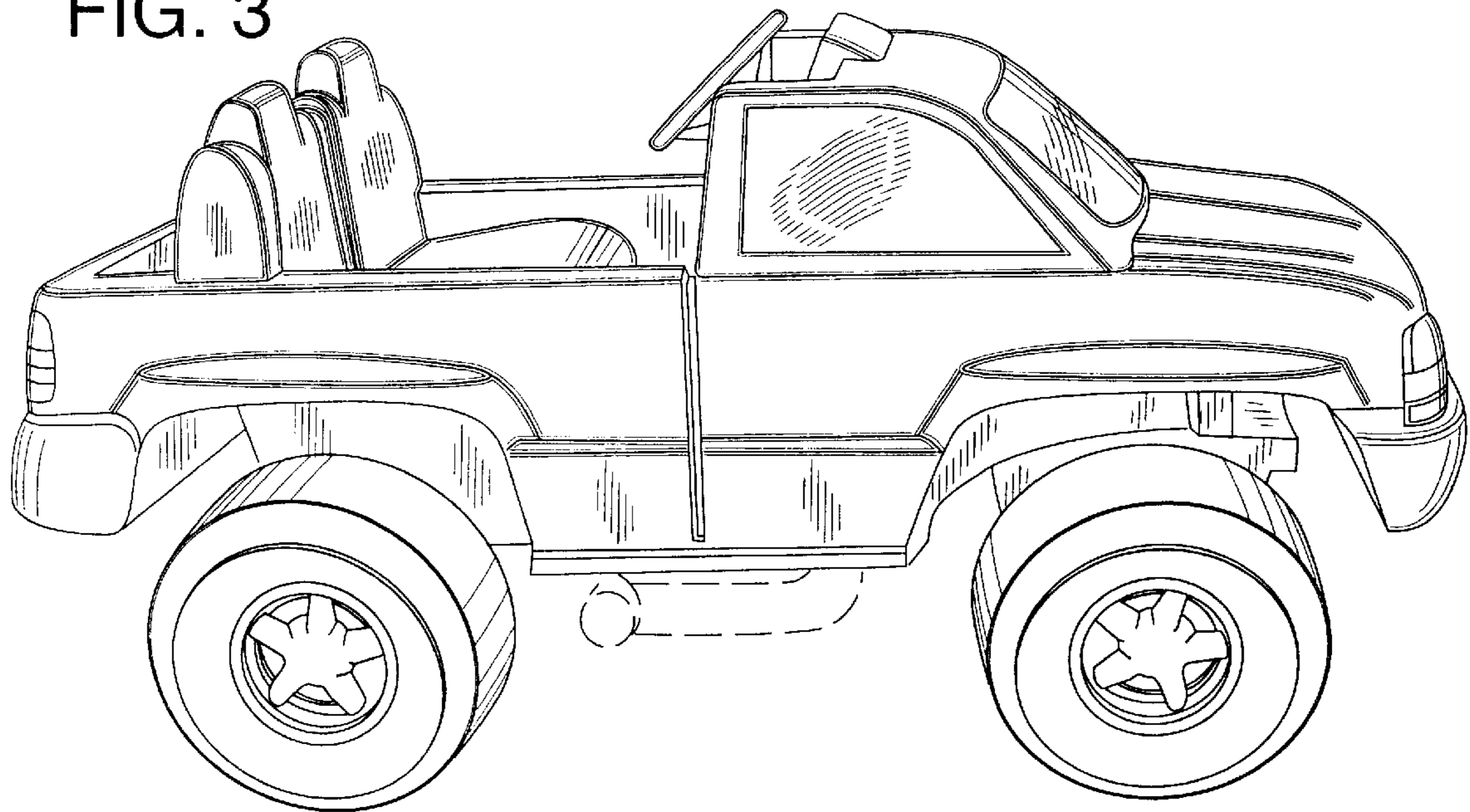


FIG. 4

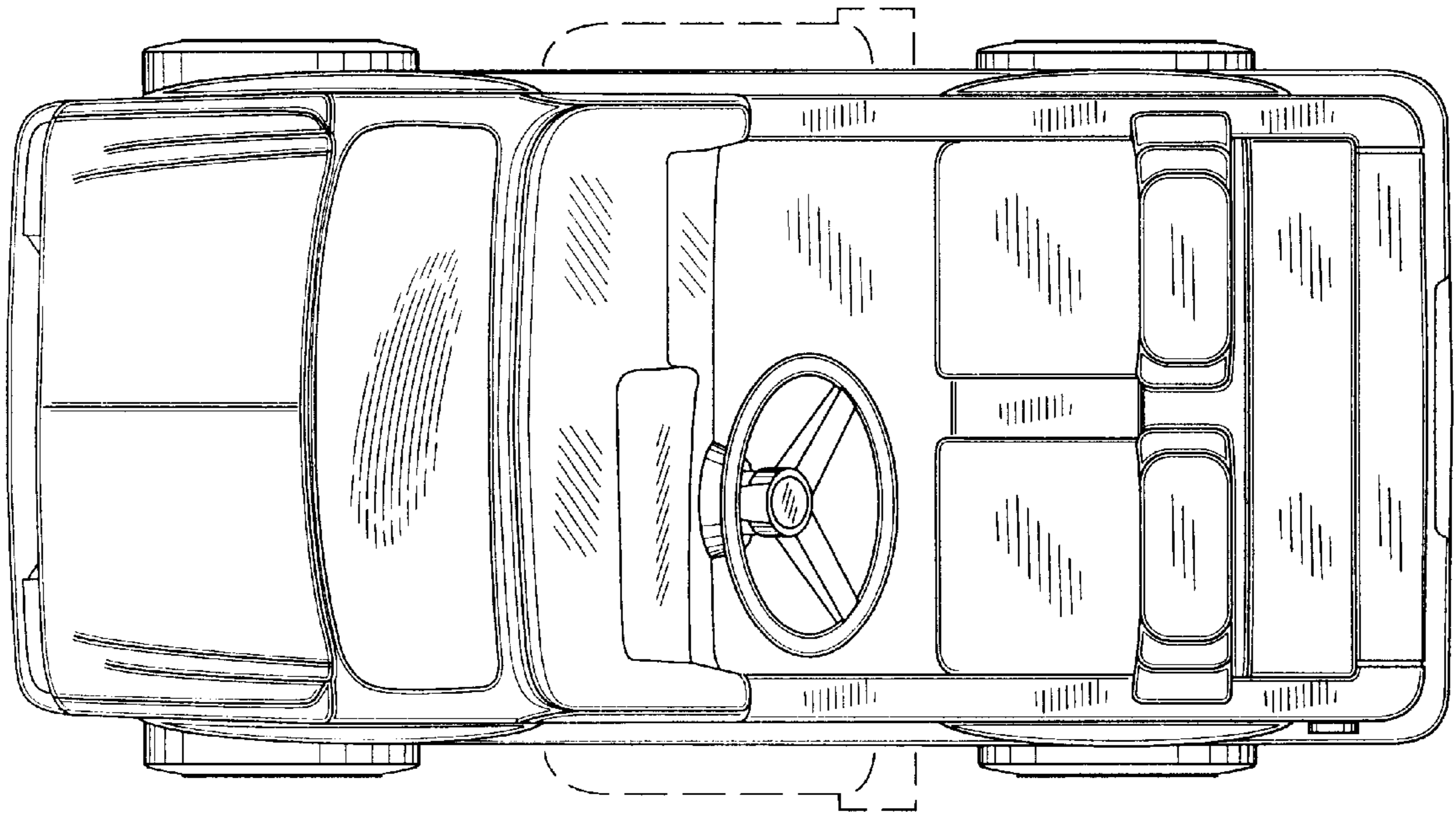


FIG. 5

