



US00D431844S

**United States Patent** [19]  
**Davila**

[11] **Patent Number: Des. 431,844**

[45] **Date of Patent: \*\* Oct. 10, 2000**

[54] **TOY ORRERY/PLANETARIUM**

1,093,024 4/1914 App ..... 434/284  
3,733,720 5/1973 Byers ..... 434/291  
4,392,831 7/1983 Schubert ..... 434/291

[75] Inventor: **Robert Davila**, Bellmore, N.Y.

[73] Assignee: **Natural Science Industries, Ltd.**, W. Hempstead, N.Y.

*Primary Examiner*—Dominic Simone  
*Attorney, Agent, or Firm*—Schweitzer Cornman Gross & Bondell LLP

[\*\*] Term: **14 Years**

[57] **CLAIM**

[21] Appl. No.: **29/101,412**

The design for a toy orrery/planetarium, as shown and described.

[22] Filed: **Mar. 3, 1999**

[51] **LOC (7) Cl.** ..... **21-01**

[52] **U.S. Cl.** ..... **D21/398**; D19/59; D19/61

[58] **Field of Search** ..... D21/398, 483;  
D19/59, 61, 62; 434/284, 287-293

**DESCRIPTION**

FIG. 1 is a front, left side perspective view of a toy orrery/planetarium showing my new design, the broken line showing of the spheres and supports are for illustrative purposes only and form no part of the claimed design;

FIG. 2 is a top plan view thereof;

FIG. 3 is a front elevation view thereof;

FIG. 4 is a right side elevation view thereof;

FIG. 5 is a left side elevation view thereof; and,

FIG. 6 is a rear elevation view thereof.

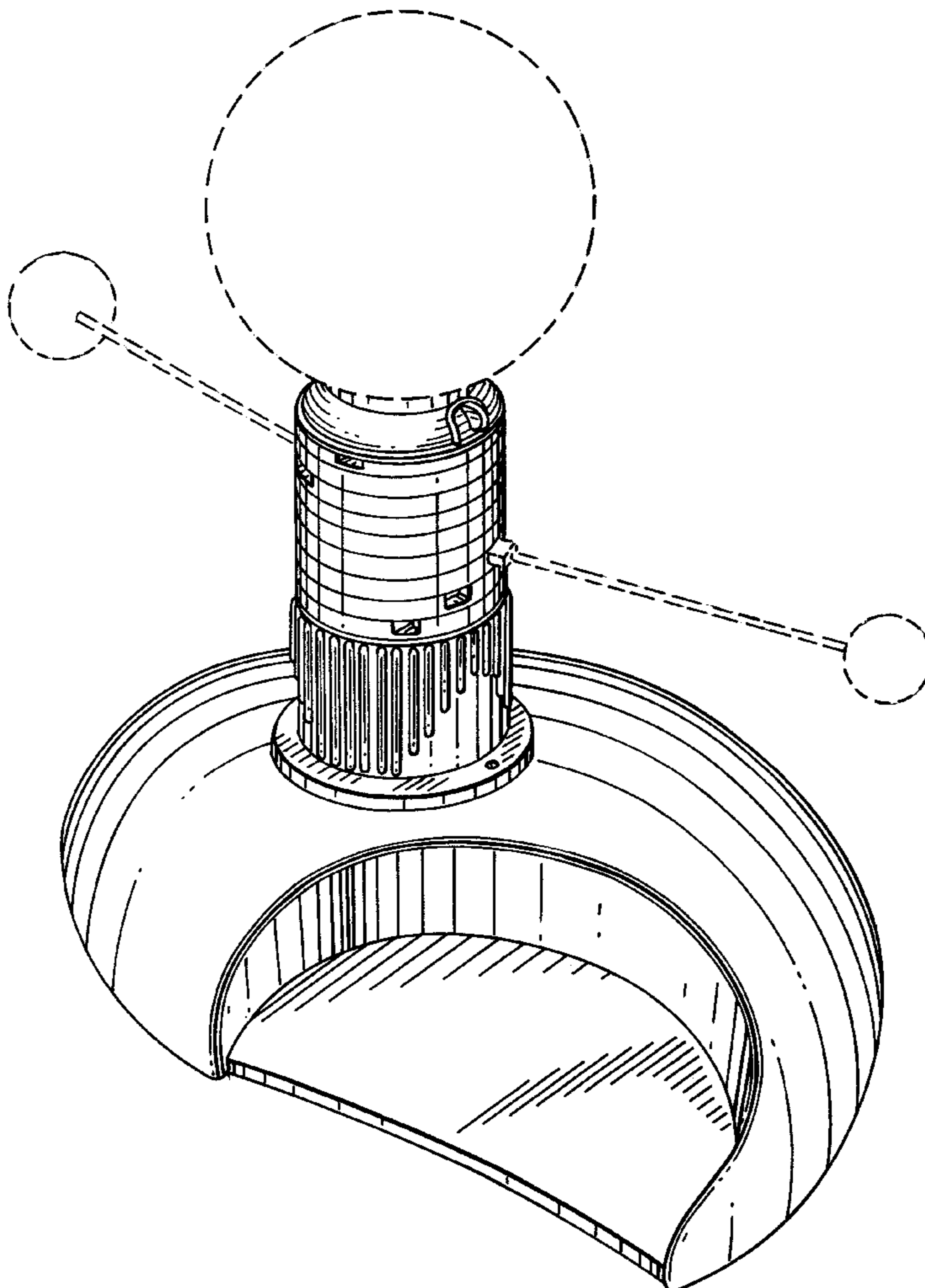
The bottom is plain and unornamented.

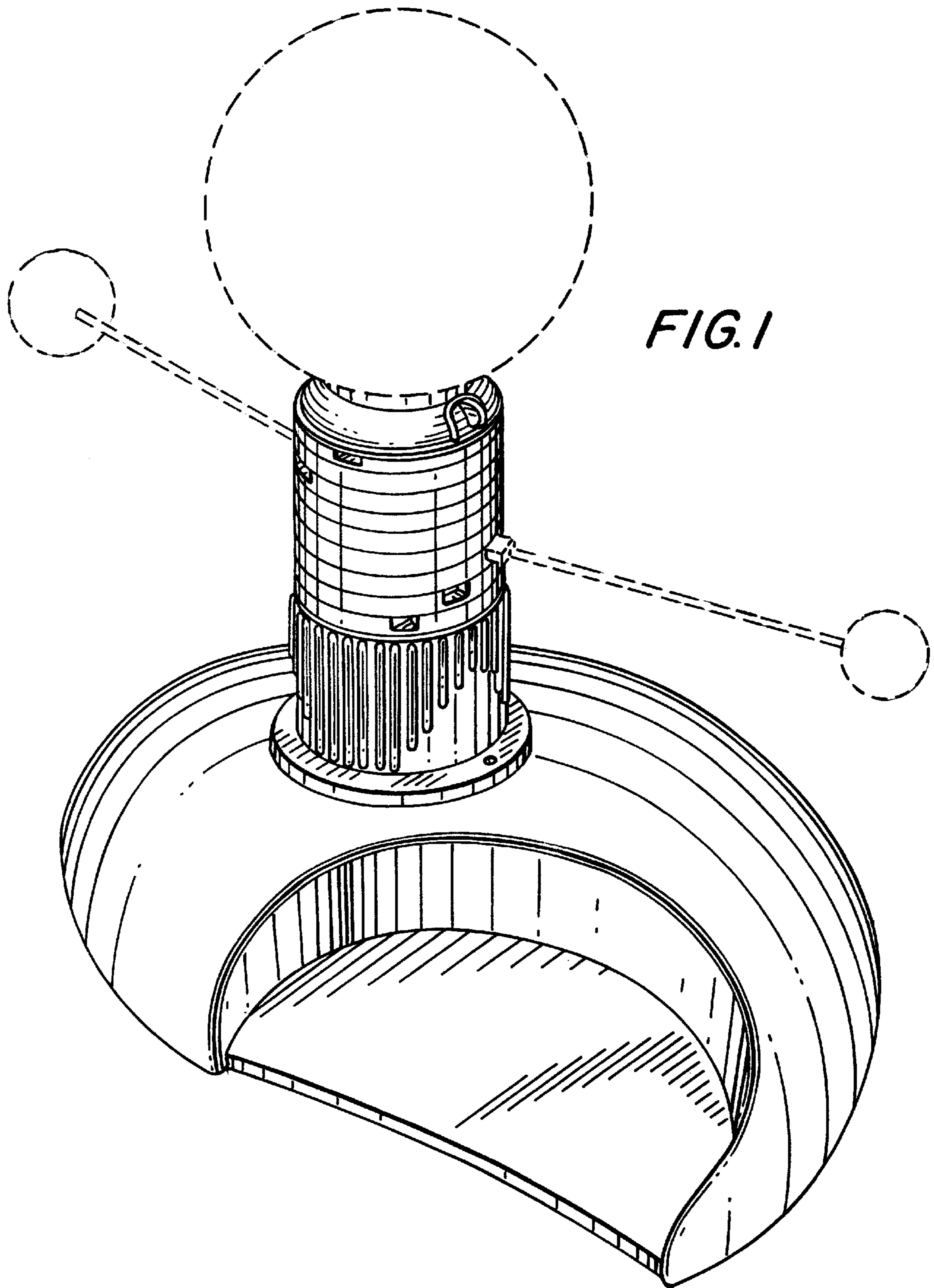
[56] **References Cited**

**U.S. PATENT DOCUMENTS**

19,392	2/1858	Wetmore	.....	434/284
51,072	11/1865	Moore	.....	434/293
D. 114,648	5/1939	Schumann	.....	D19/59
215,948	5/1879	Mang	.....	434/291
D. 352,312	11/1994	Utler	.....	D19/61
374,409	12/1887	Holden	.....	434/284

**1 Claim, 4 Drawing Sheets**





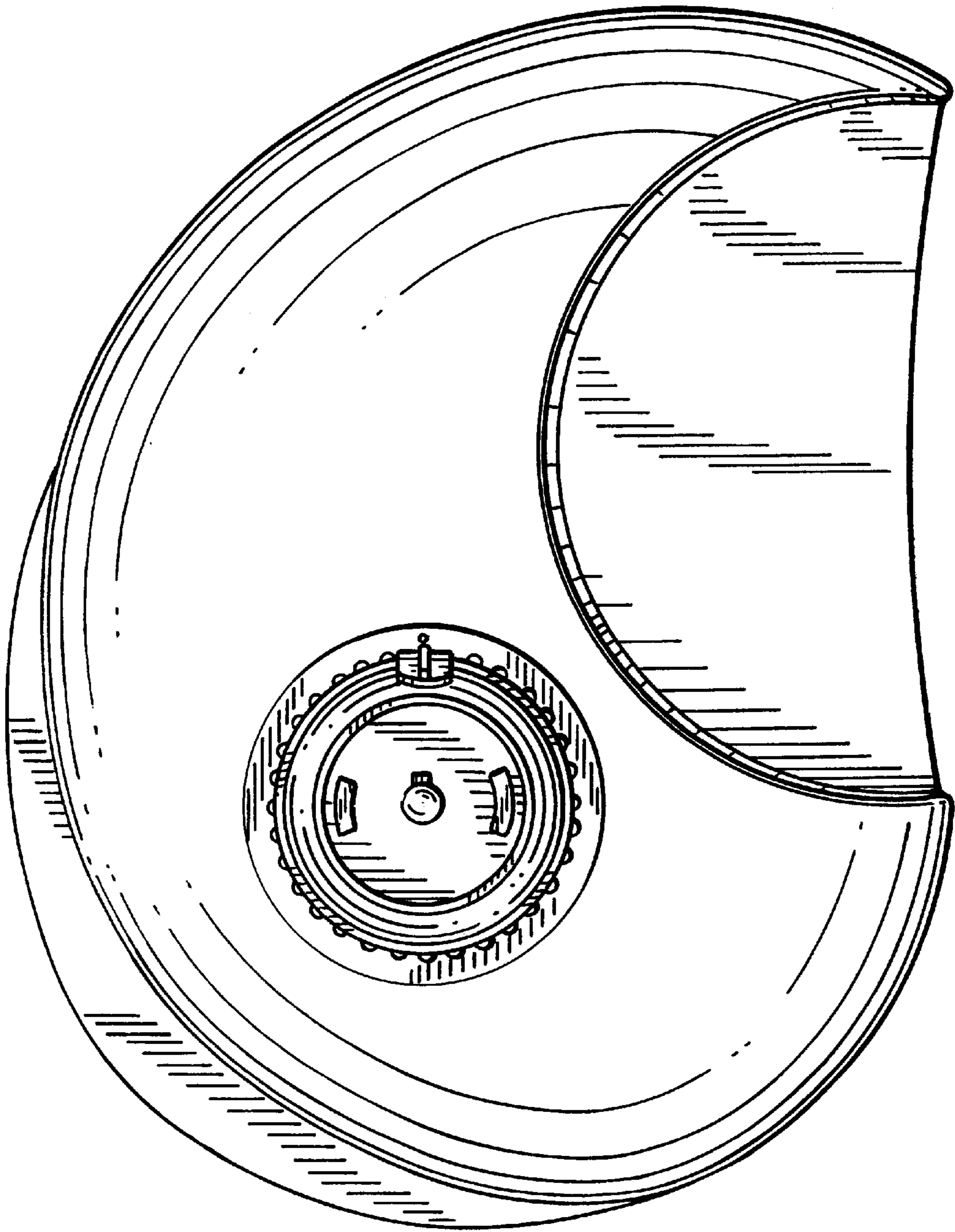
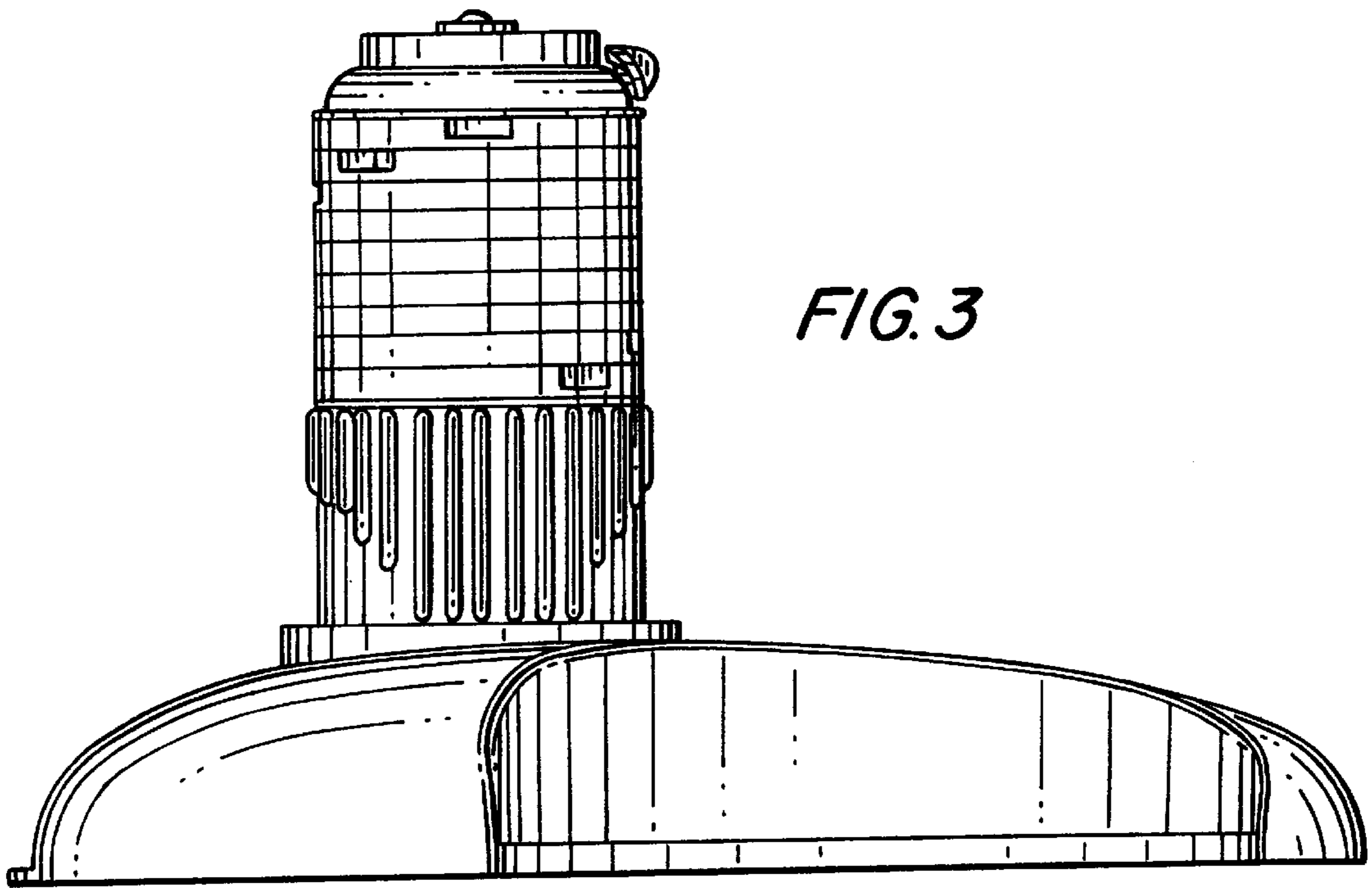
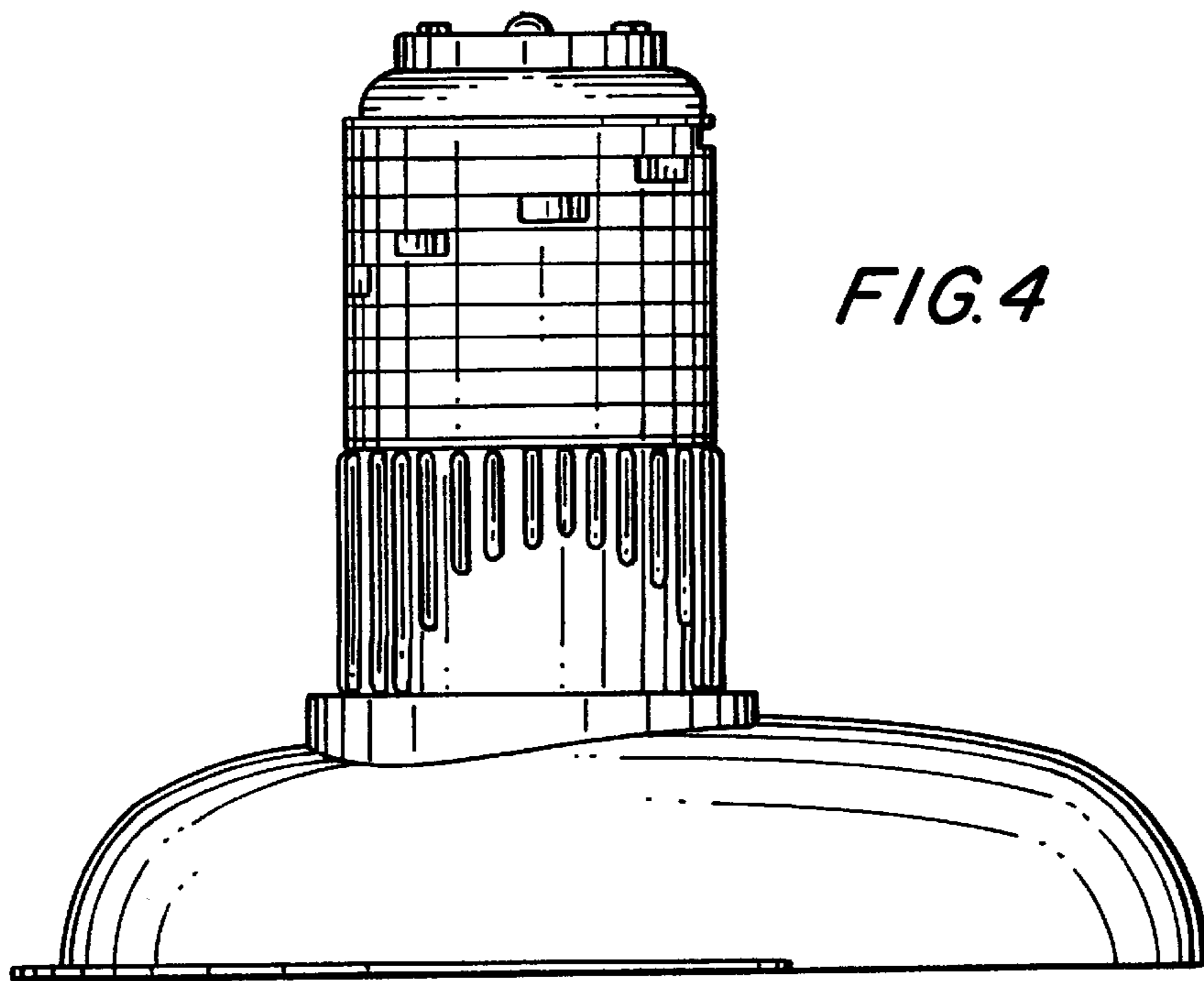


FIG. 2

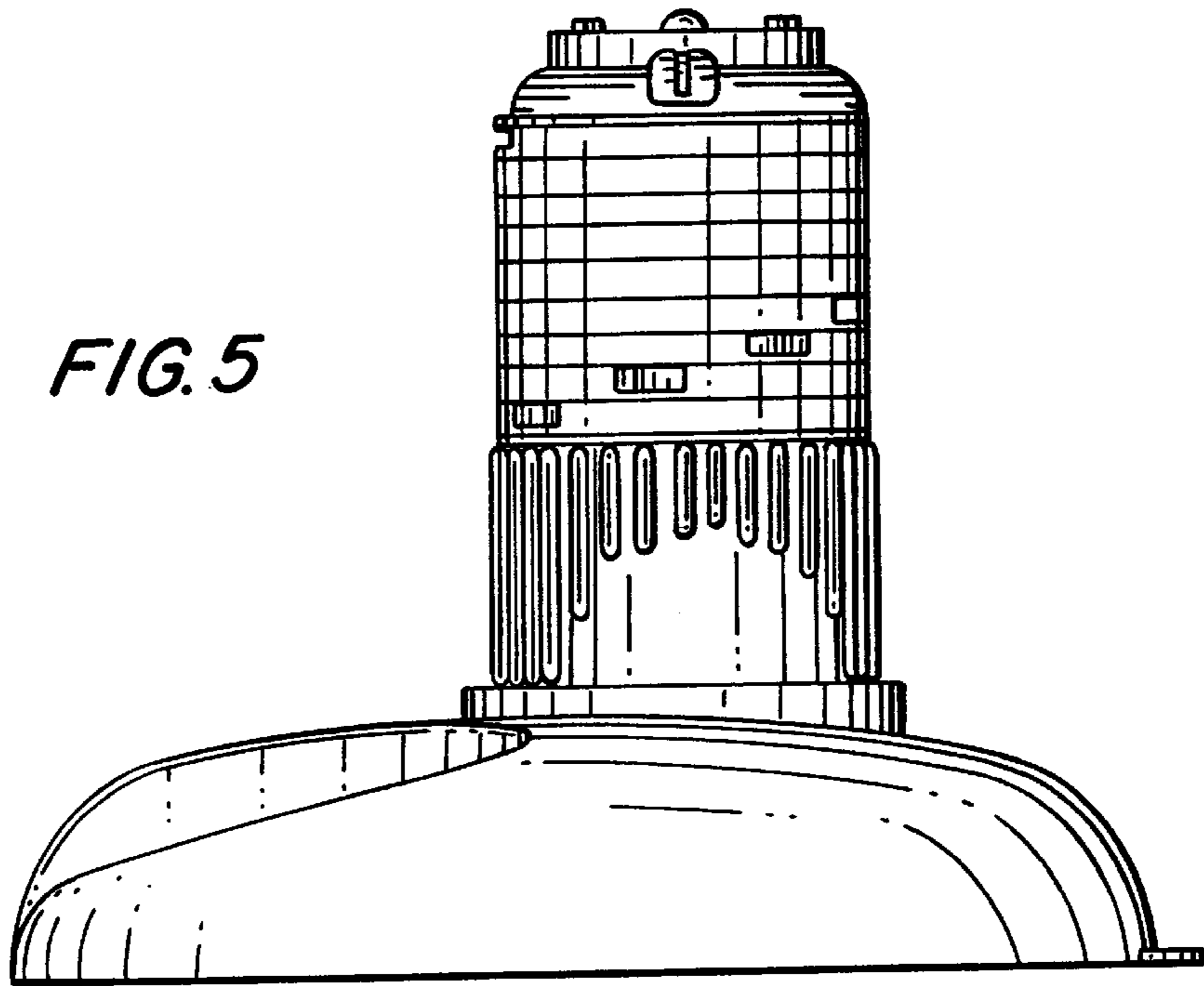


*FIG. 3*



*FIG. 4*

*FIG. 5*



*FIG. 6*

