



US00D431840S

United States Patent [19]
Silvershein

[11] **Patent Number: Des. 431,840**

[45] **Date of Patent: ** Oct. 10, 2000**

[54] **DISPLAY CONTAINER**

D. 365,406 12/1995 Kan D20/21

[76] Inventor: **Bennett Silvershein**, 23 Lakeshore Dr.,
Rockaway, N.J. 07866

Primary Examiner—Marcus A. Jackson
Attorney, Agent, or Firm—Allen N. Friedman; McCarter &
English LLP

[**] Term: **14 Years**

[57] **CLAIM**

[21] Appl. No.: **29/120,263**

The ornamental design for a display container, as shown and
described.

[22] Filed: **Mar. 16, 2000**

[51] **LOC (7) Cl.** **19-08**

[52] **U.S. Cl.** **D20/21**

[58] **Field of Search** D20/10, 21, 40,
D20/41; 40/377, 378, 446, 493, 506; 211/13,
163

DESCRIPTION

FIG. 1 is a perspective view of an article of the invention.
FIG. 2 is a front elevational view of an article of the
invention.

FIG. 3 is a plan view of an article of the invention.
FIG. 4 is a bottom view of an article of the invention; and,
FIG. 5 is a perspective view thereof, with the broken line
showing for illustrative purposes only and forming no part
of the claimed design.

[56] **References Cited**

U.S. PATENT DOCUMENTS

- D. 345,571 3/1994 Hanlon, III D20/21
- D. 358,176 5/1995 Atkinson D20/21

1 Claim, 3 Drawing Sheets

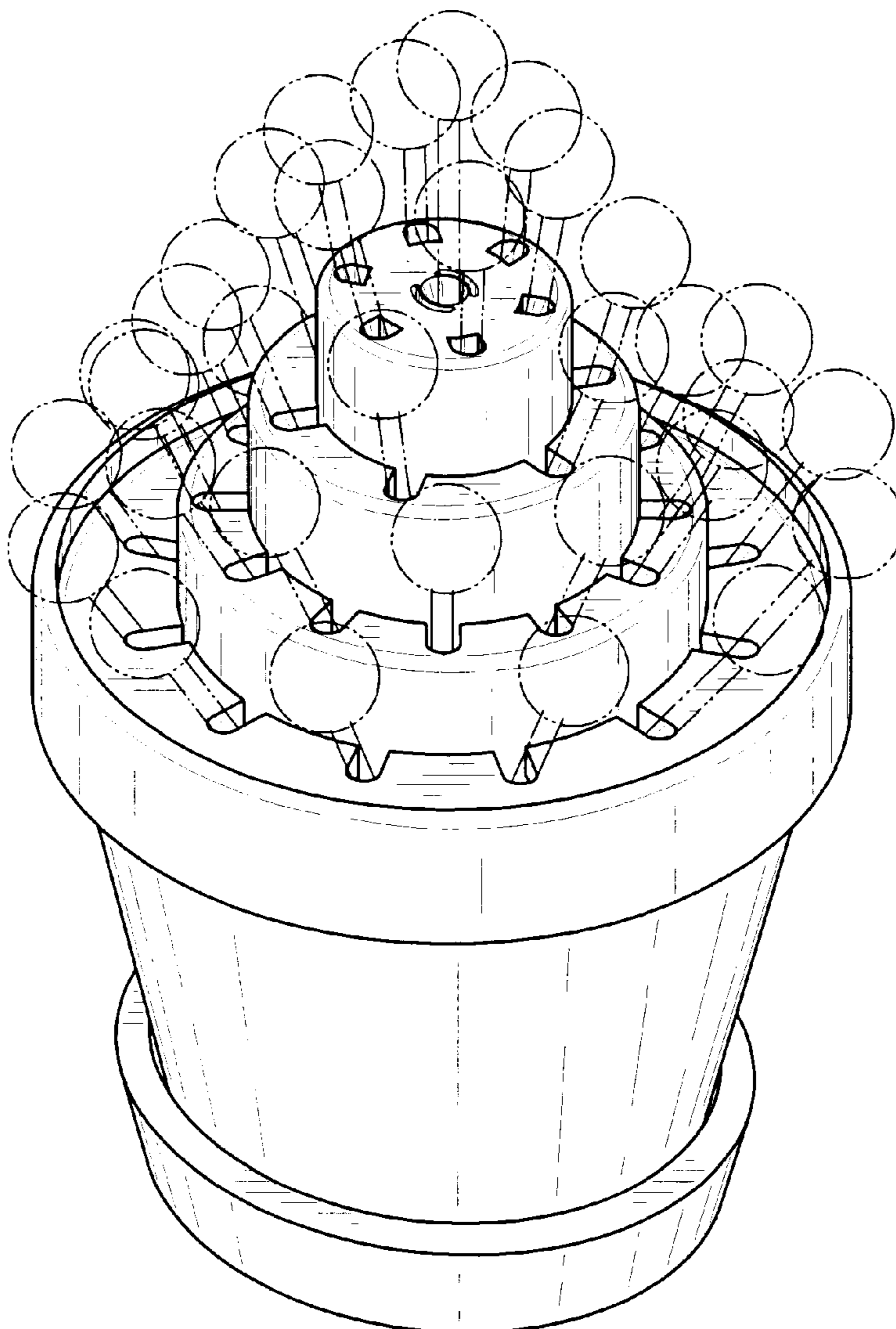


FIG. 1

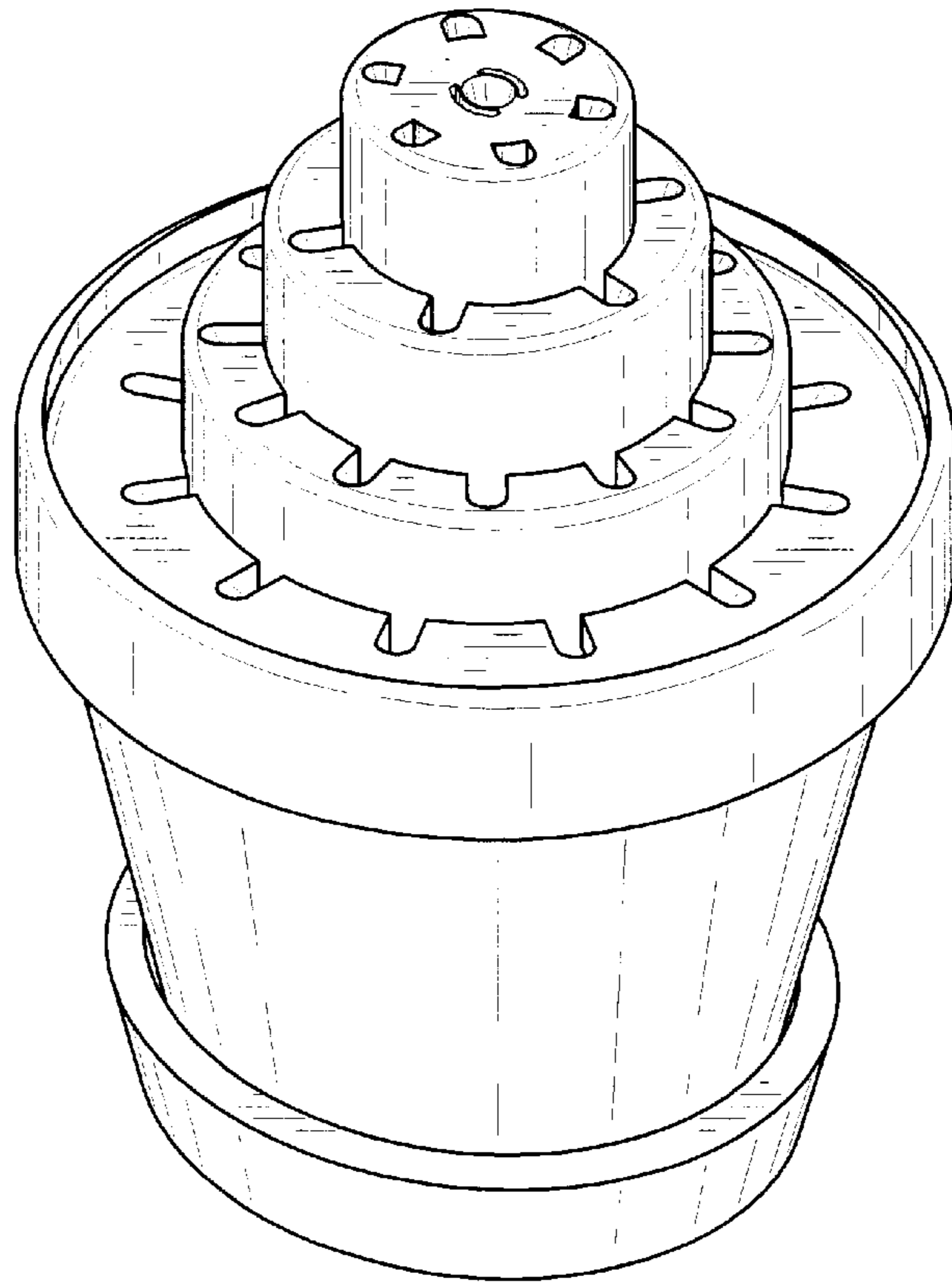


FIG. 2

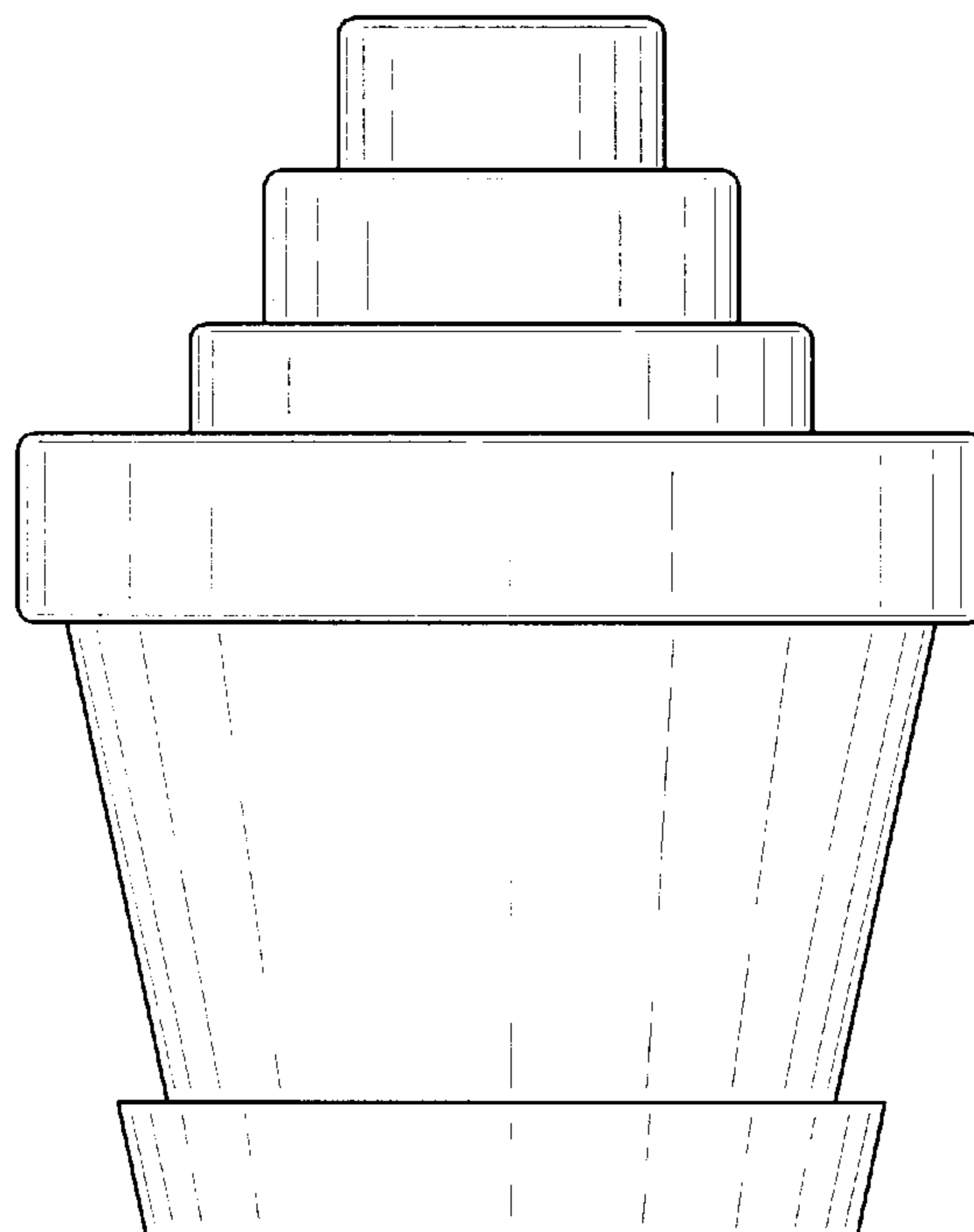


FIG. 3

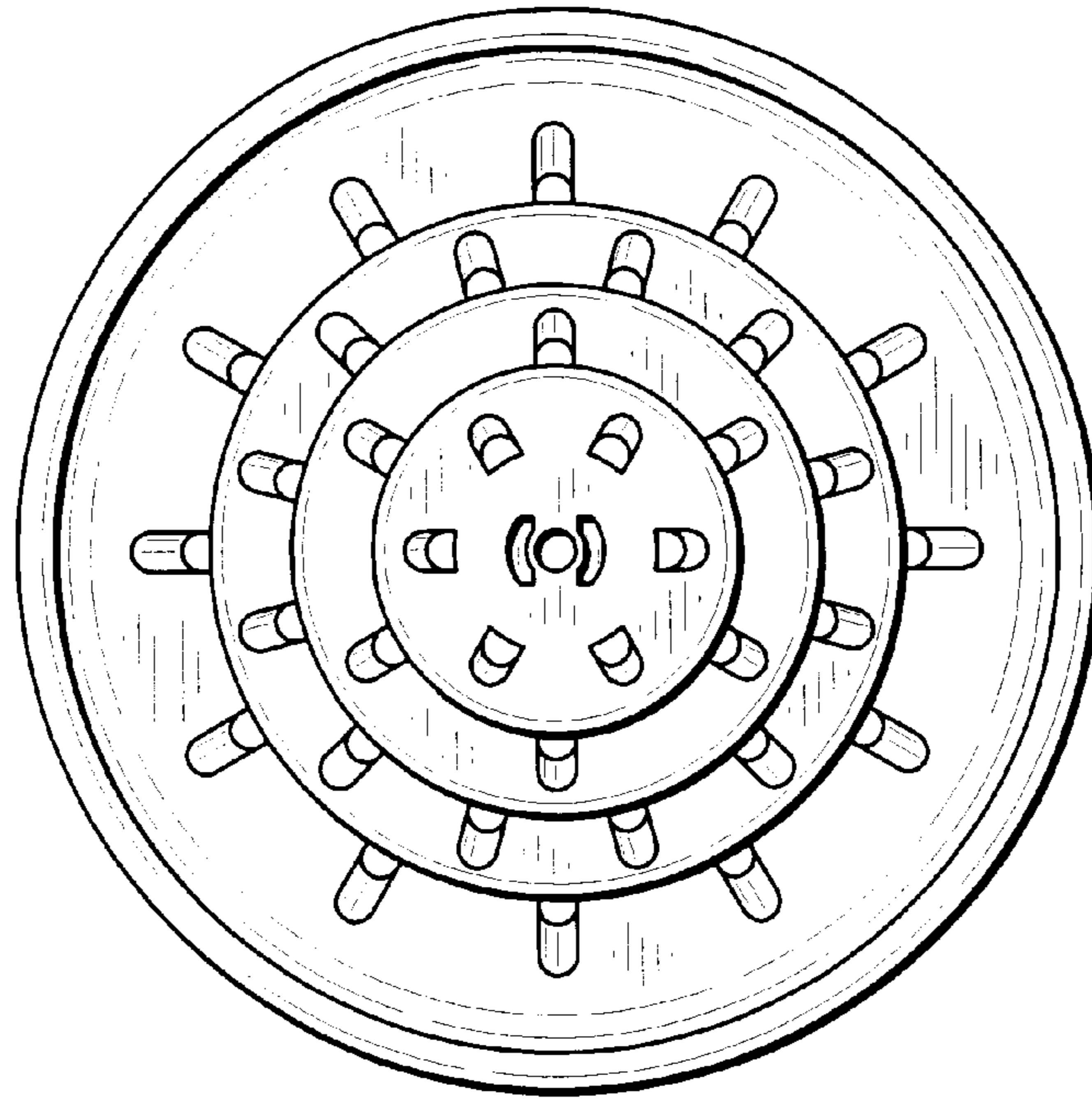


FIG. 4

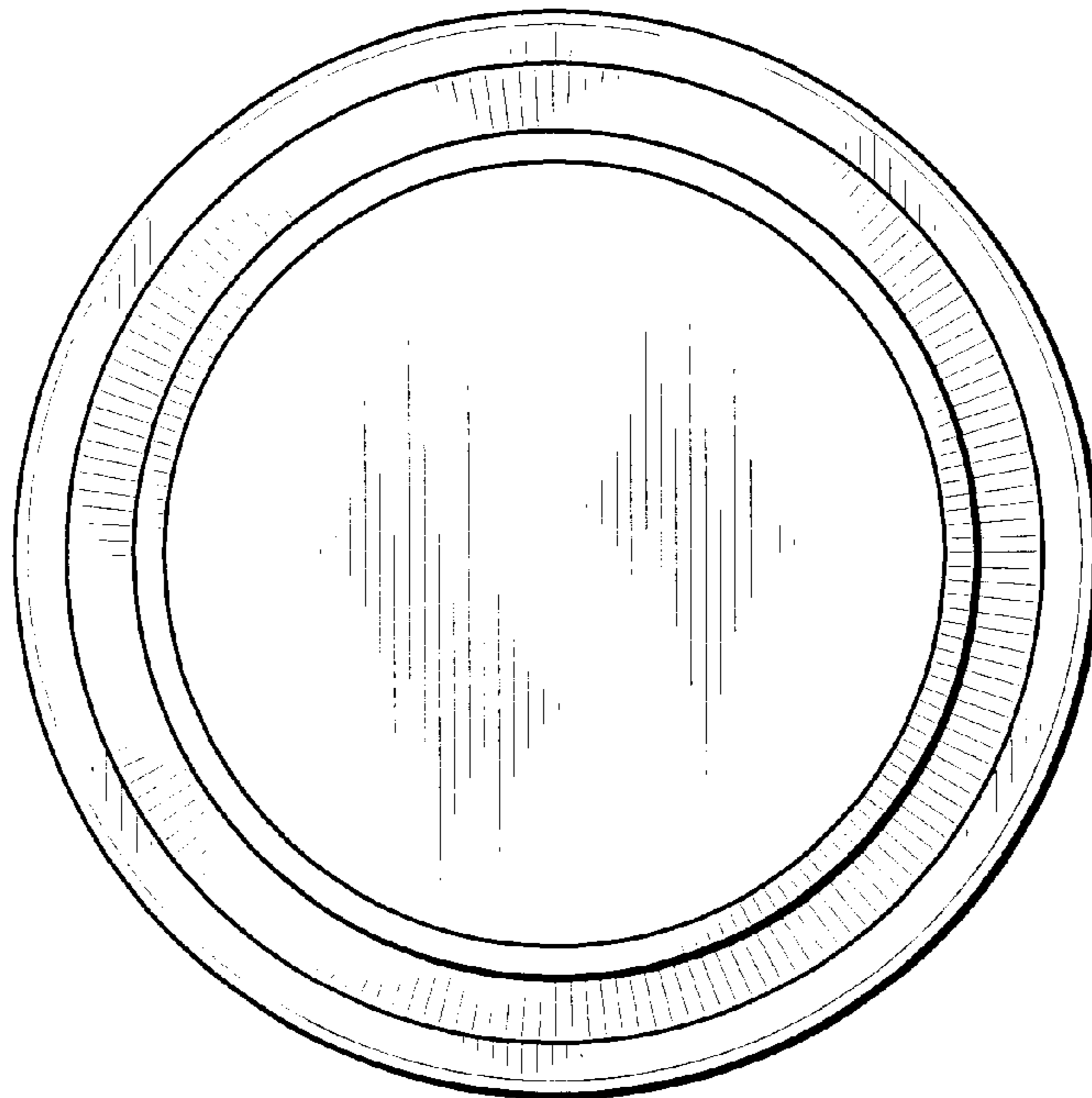


FIG. 5

