



US00D431838S

United States Patent [19]
Ragot

[11] **Patent Number: Des. 431,838**

[45] **Date of Patent: ** Oct. 10, 2000**

[54] **DISPLAY STAND**

[75] Inventor: **Paul-Henri Ragot**, Laval, Canada

[73] Assignee: **A.L.R. Envirotech Inc.**, Laval, Canada

[**] Term: **14 Years**

[21] Appl. No.: **29/099,793**

[22] Filed: **Jan. 28, 1999**

[30] **Foreign Application Priority Data**

Jul. 28, 1998 [CA] Canada 1998-1789

[51] **LOC (7) Cl.** **20-03**

[52] **U.S. Cl.** **D20/10; D20/41**

[58] **Field of Search** D20/10, 40, 41,
D20/42; 40/584, 541, 563, 564, 565, 575,
606, 607, 611

[56] **References Cited**

U.S. PATENT DOCUMENTS

D. 244,725	6/1977	Niehaus et al.	D20/42
D. 388,124	12/1997	Rath	D20/42
D. 389,524	1/1998	Grange	D20/41
D. 390,610	2/1998	Wingerel	D20/10 X
5,584,547	12/1996	Trulaske, Sr.	40/575 X
5,634,286	6/1997	Johnson	40/564

Primary Examiner—Susan J. Lucas
Assistant Examiner—Jennifer Rivard
Attorney, Agent, or Firm—Swabey Ogilvy Renault

[57] **CLAIM**

The ornamental design for a display stand, as shown and described.

DESCRIPTION

FIG. 1 is a perspective view of the display stand showing my new design; the opposite perspective view is a mirror image thereof;

FIG. 2 is a top plan view thereof; the bottom plan view is a mirror image thereof;

FIG. 3 is a perspective view of another embodiment showing my new design; the opposite perspective view is a mirror image thereof;

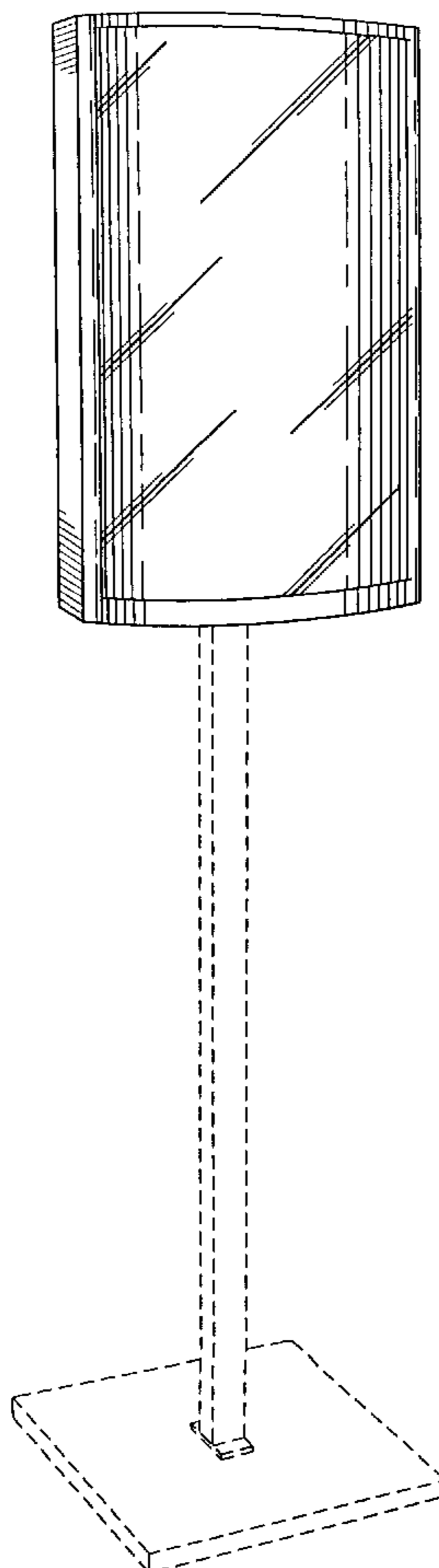
FIG. 4 is a top plan view thereof; the bottom plan view is a mirror image thereof;

FIG. 5 is a perspective view of yet another embodiment showing my new design; the opposite perspective view is a mirror image thereof; and,

FIG. 6 is a top plan view thereof; the bottom plan view is a mirror image thereof.

The broken lines are shown for illustrative purposes only and form no part of the claimed design.

1 Claim, 3 Drawing Sheets



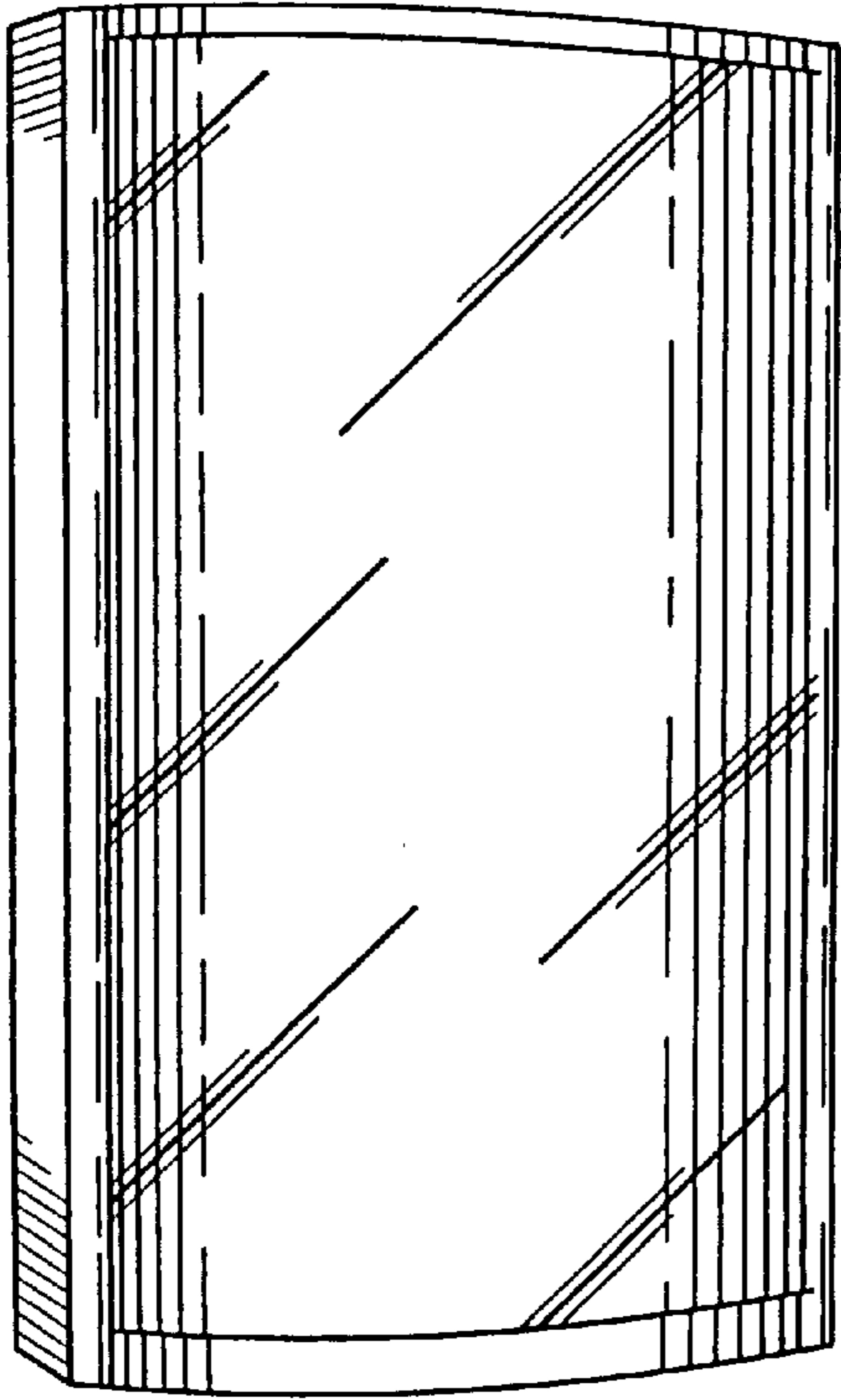


FIG. 1

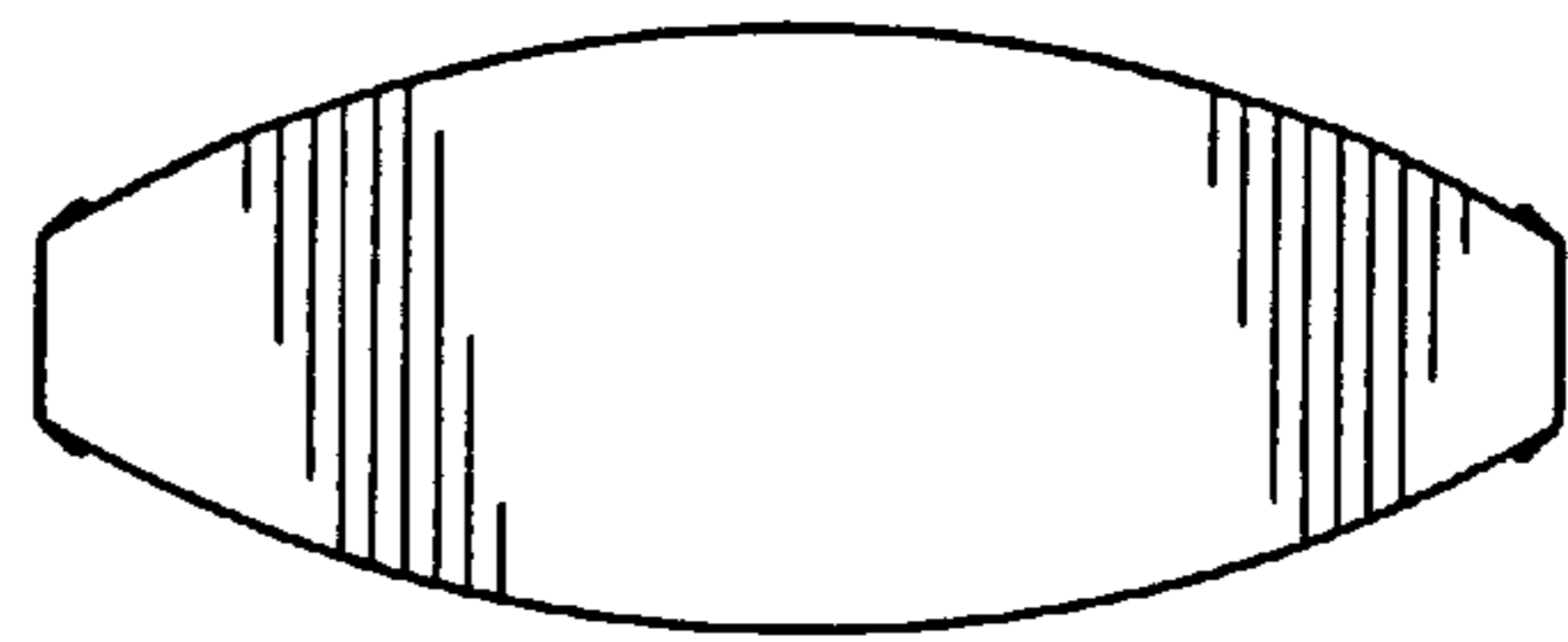


FIG. 2

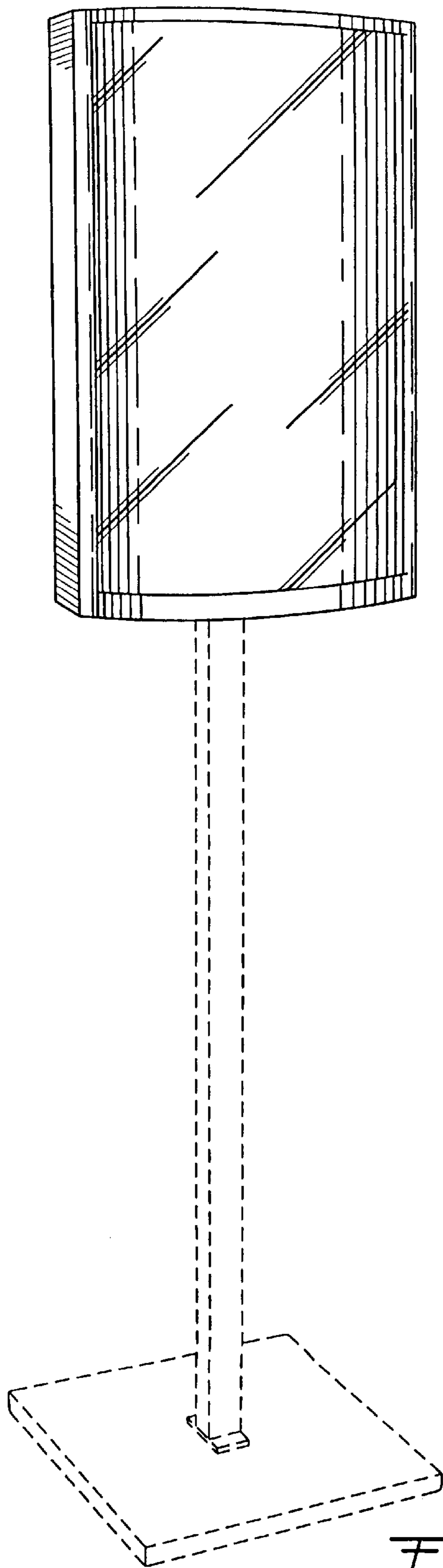


FIG. 3

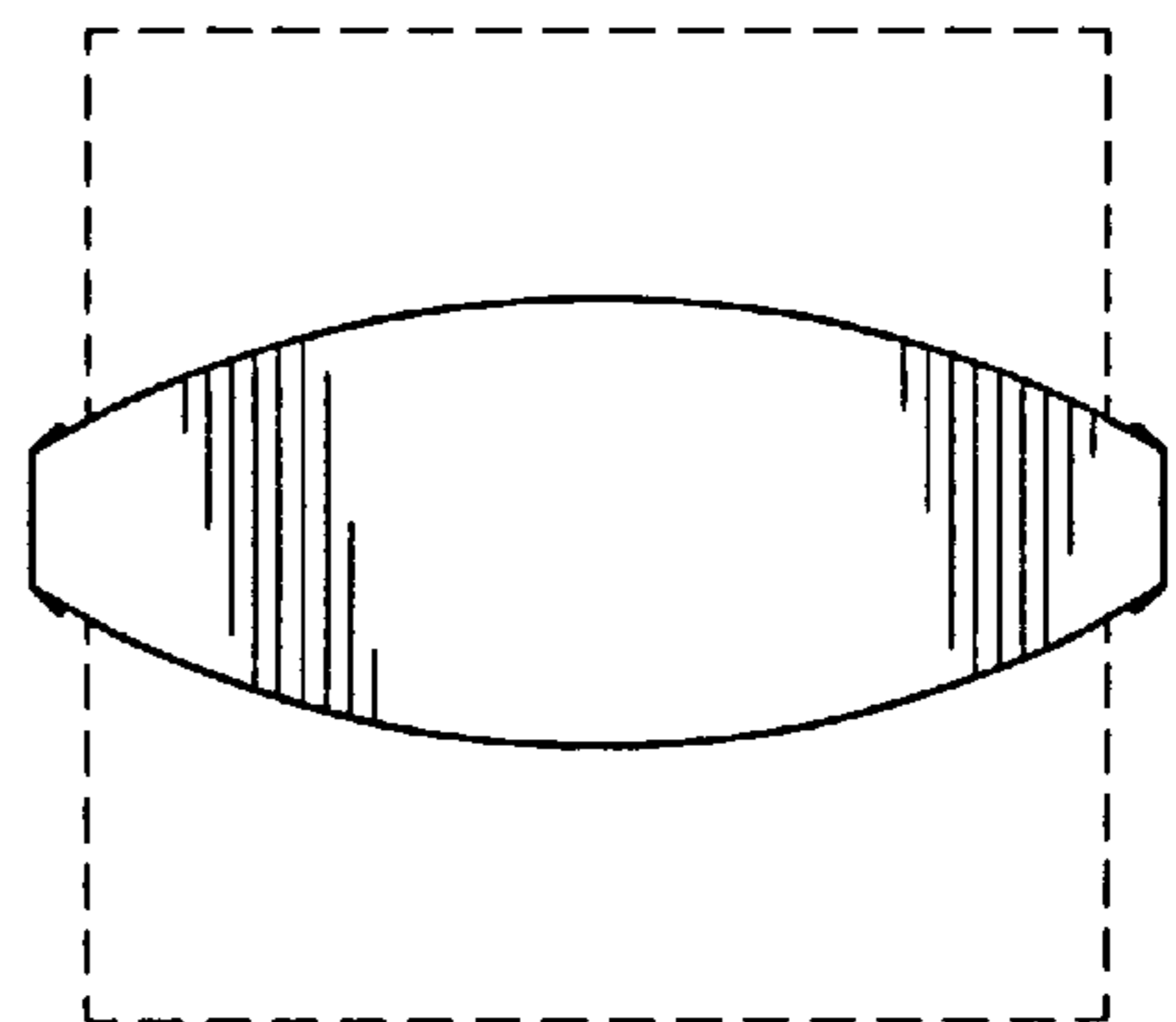


FIG. 4

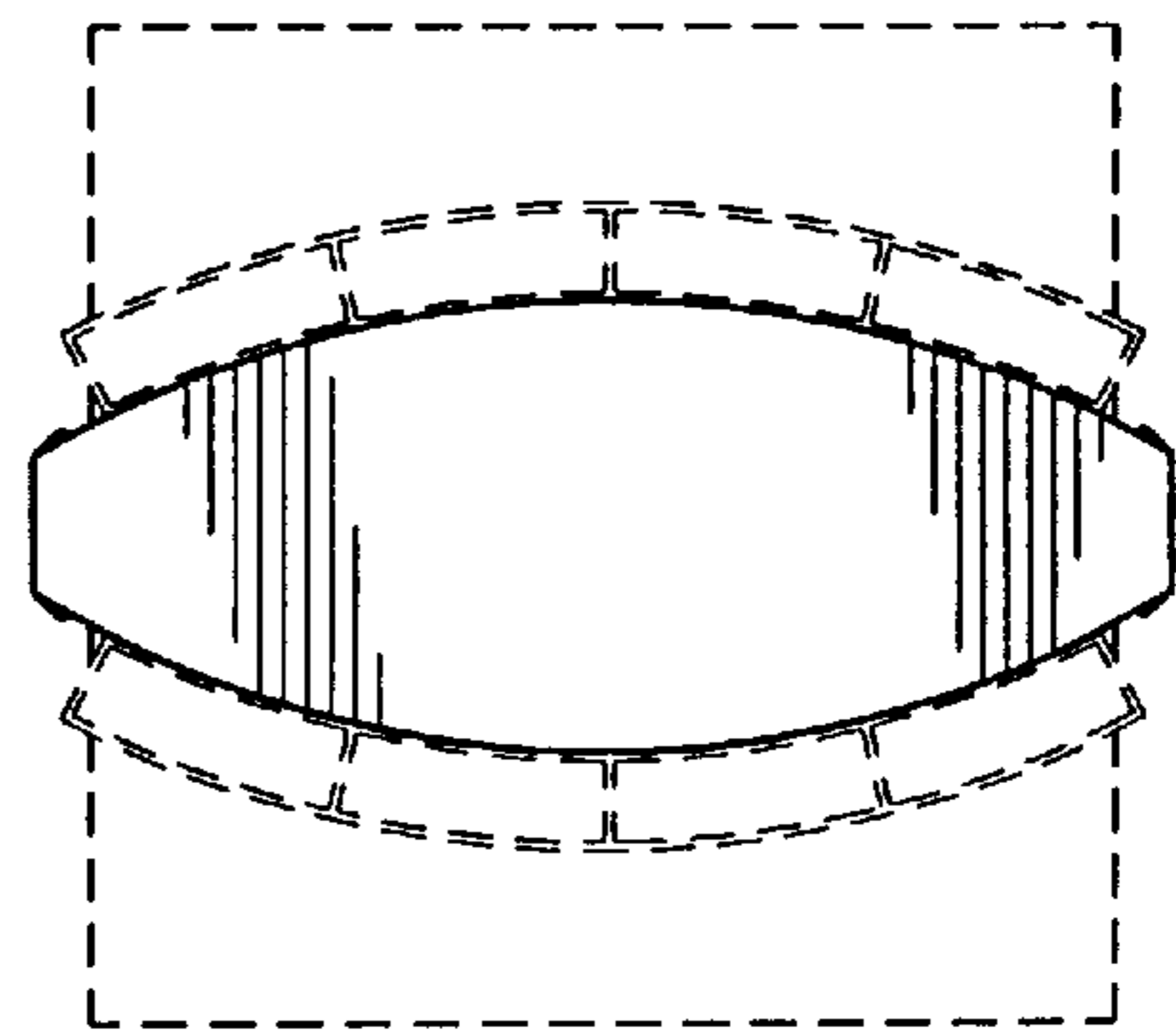
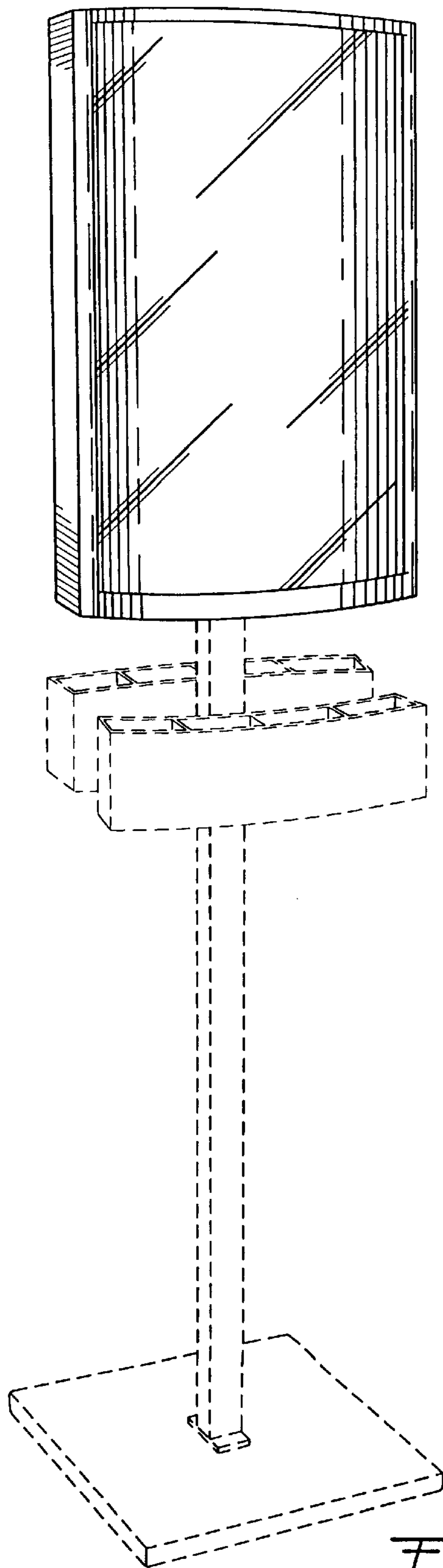


FIG. 6

FIG. 5