



US00D431836S

United States Patent [19]

[11] **Patent Number: Des. 431,836**

Young et al.

[45] **Date of Patent: ** Oct. 10, 2000**

[54] **DESKTOP ORGANIZER WITH NAME CARD HOLDER**

[75] Inventors: **Wei Young**, Long Island City, N.Y.;
Sik-Leung Chan, Tsuen Wan, N.T., The
Hong Kong Special Administrative
Region of the People's Republic of
China

[73] Assignee: **C.C. & L Company Limited**, Hong
Kong, China

[**] Term: **14 Years**

[21] Appl. No.: **29/118,285**

[22] Filed: **Feb. 7, 2000**

[51] **LOC (7) Cl.** **19-02**

[52] **U.S. Cl.** **D19/78; D19/84; D19/77;**
D19/90; D19/92

[58] **Field of Search** D19/65, 75, 76,
D19/77, 78, 81-85, 86, 90, 91, 92, 95,
99, 100; 211/10, 11, 13.1, 50, 69.1-69.9,
126.13, 44, 45; 206/214, 224, 371

[56] **References Cited**

U.S. PATENT DOCUMENTS

D. 104,992 6/1937 Cook D9/420

D. 117,828 11/1939 Bowers D19/78
D. 156,062 11/1949 Ward D19/92
D. 156,665 12/1949 Rodbell D19/78
D. 282,935 3/1986 Shifflett D19/60
D. 337,788 7/1993 Lian-Mey D19/78
D. 352,525 11/1994 Coe D19/76
D. 359,762 6/1995 Snell D19/76
D. 416,583 11/1999 Eddy et al. D19/76

Primary Examiner—Martie K. Holtje
Attorney, Agent, or Firm—Alix, Yale & Ristas, LLP

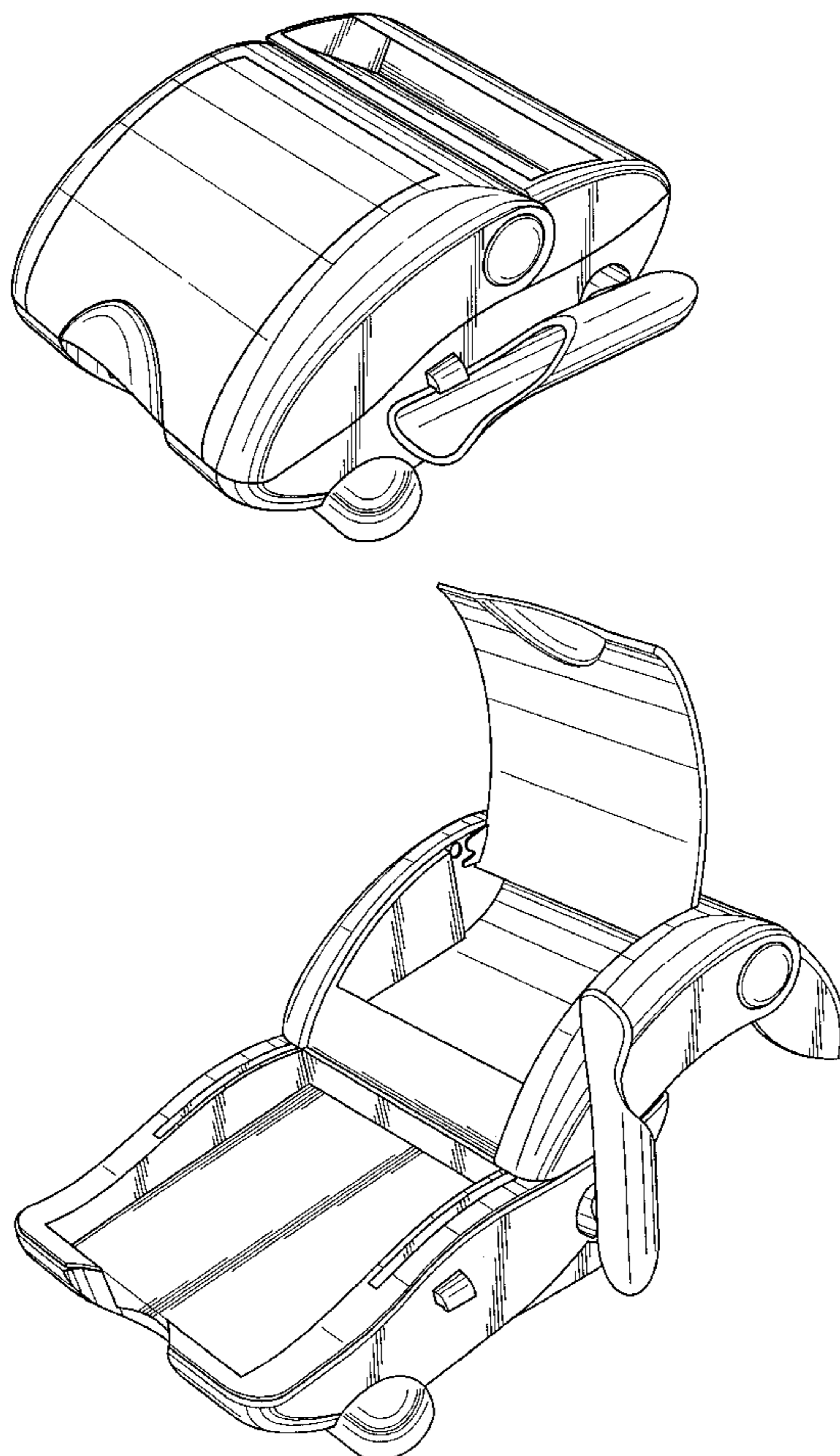
[57] **CLAIM**

The ornamental design for desktop organizer with name card holder, as shown and described.

DESCRIPTION

FIG. 1 is a perspective view of desktop organizer with name card holder showing our new design; FIG. 2 is a rear elevational view thereof; FIG. 3 is a bottom plan view thereof; FIG. 4 is a front elevational view thereof; FIG. 5 is a left side elevational view thereof; FIG. 6 is right side elevational view thereof; FIG. 7 is a top plan view thereof; and, FIG. 8 is a perspective view thereof wherein the lid is in an open position.

1 Claim, 5 Drawing Sheets



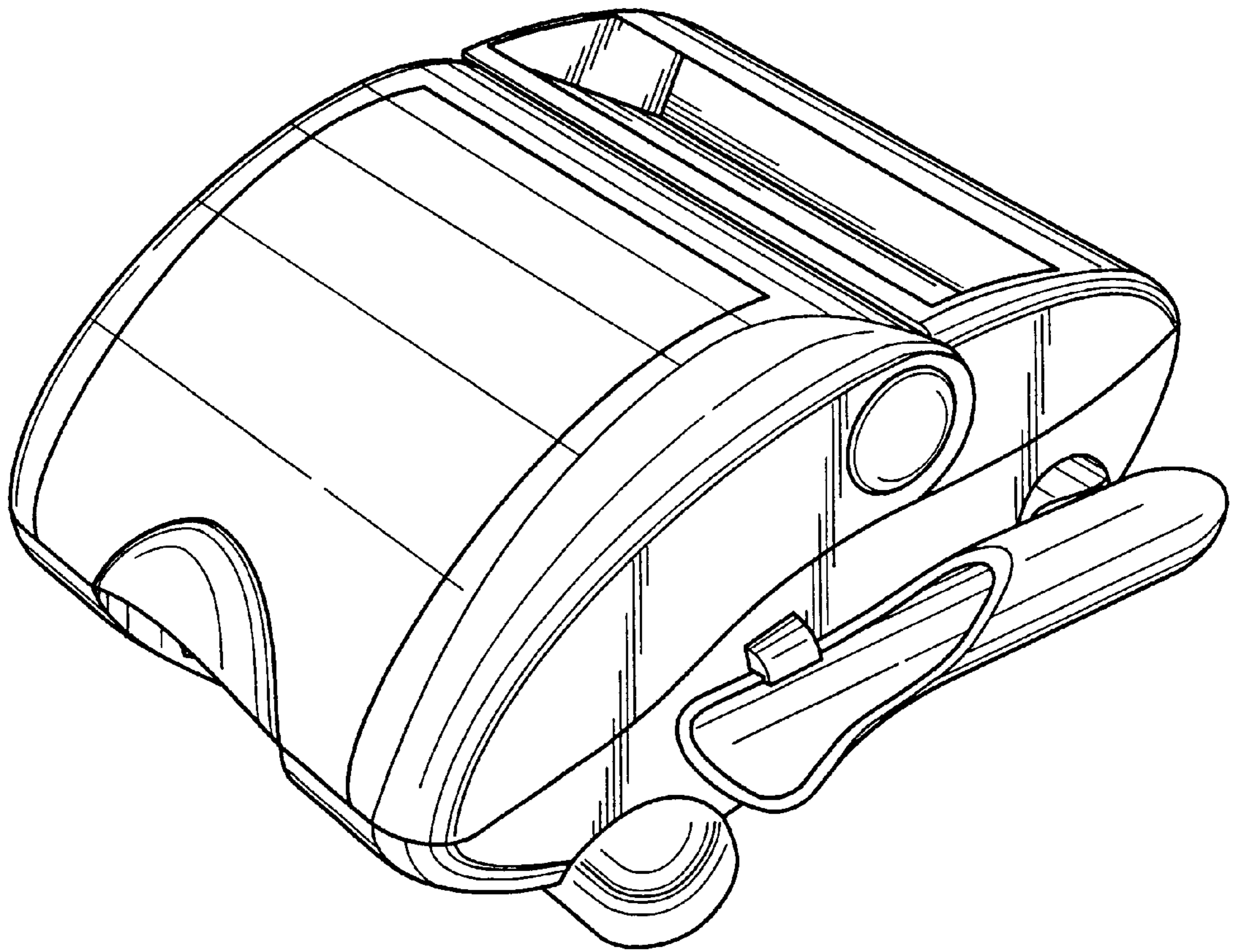


FIG. 1

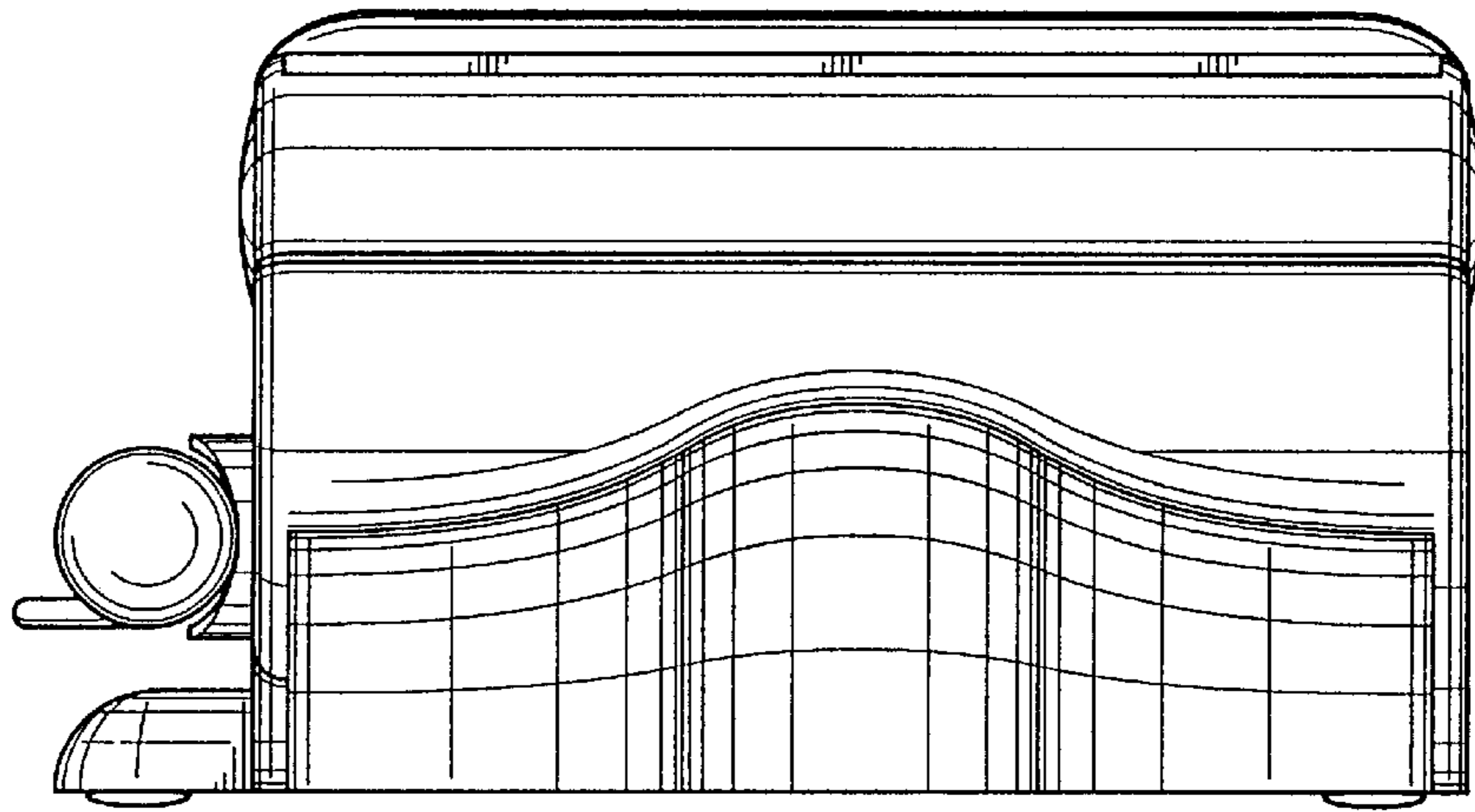


FIG. 7

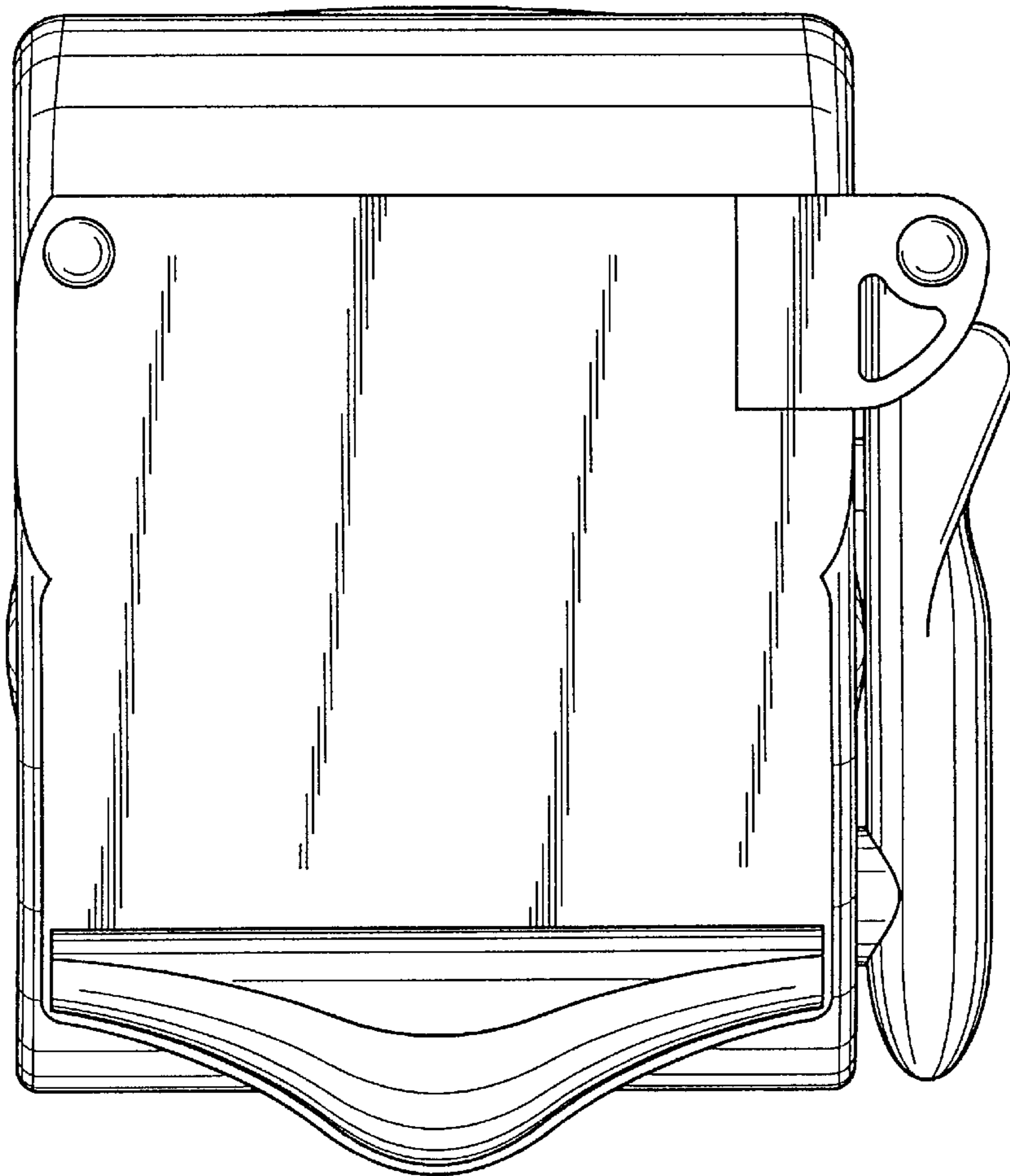


FIG. 2

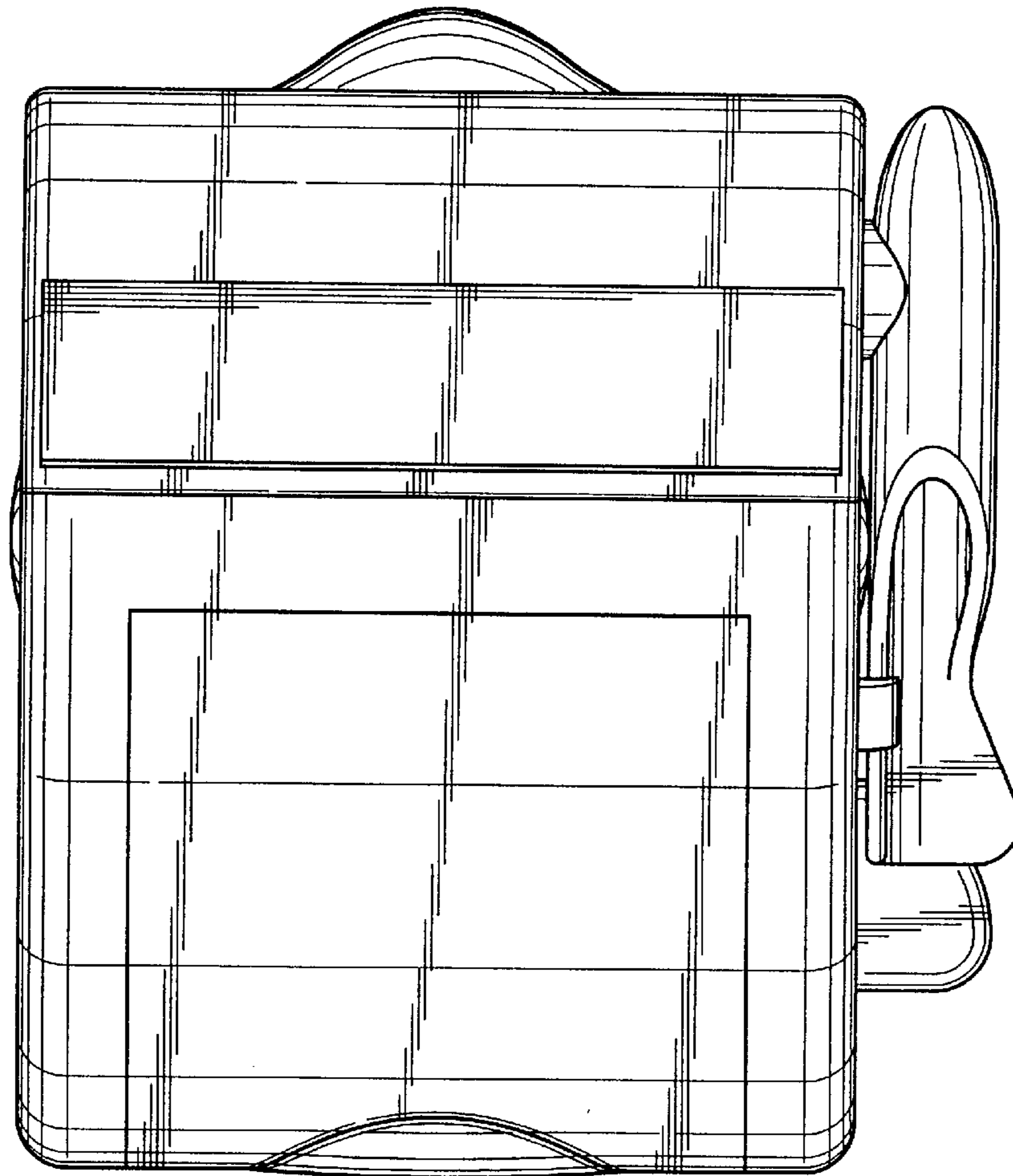


FIG. 4

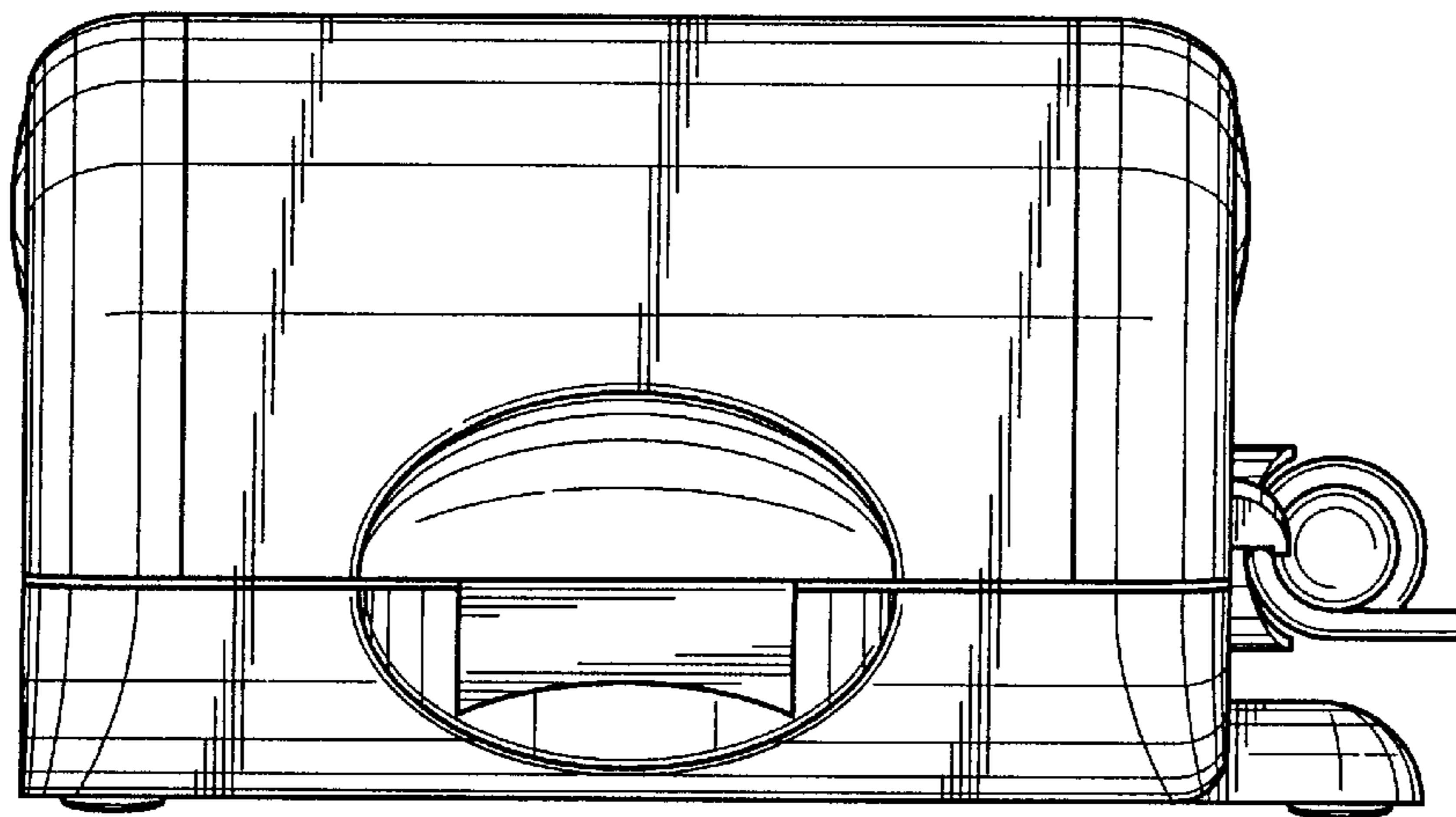


FIG. 3

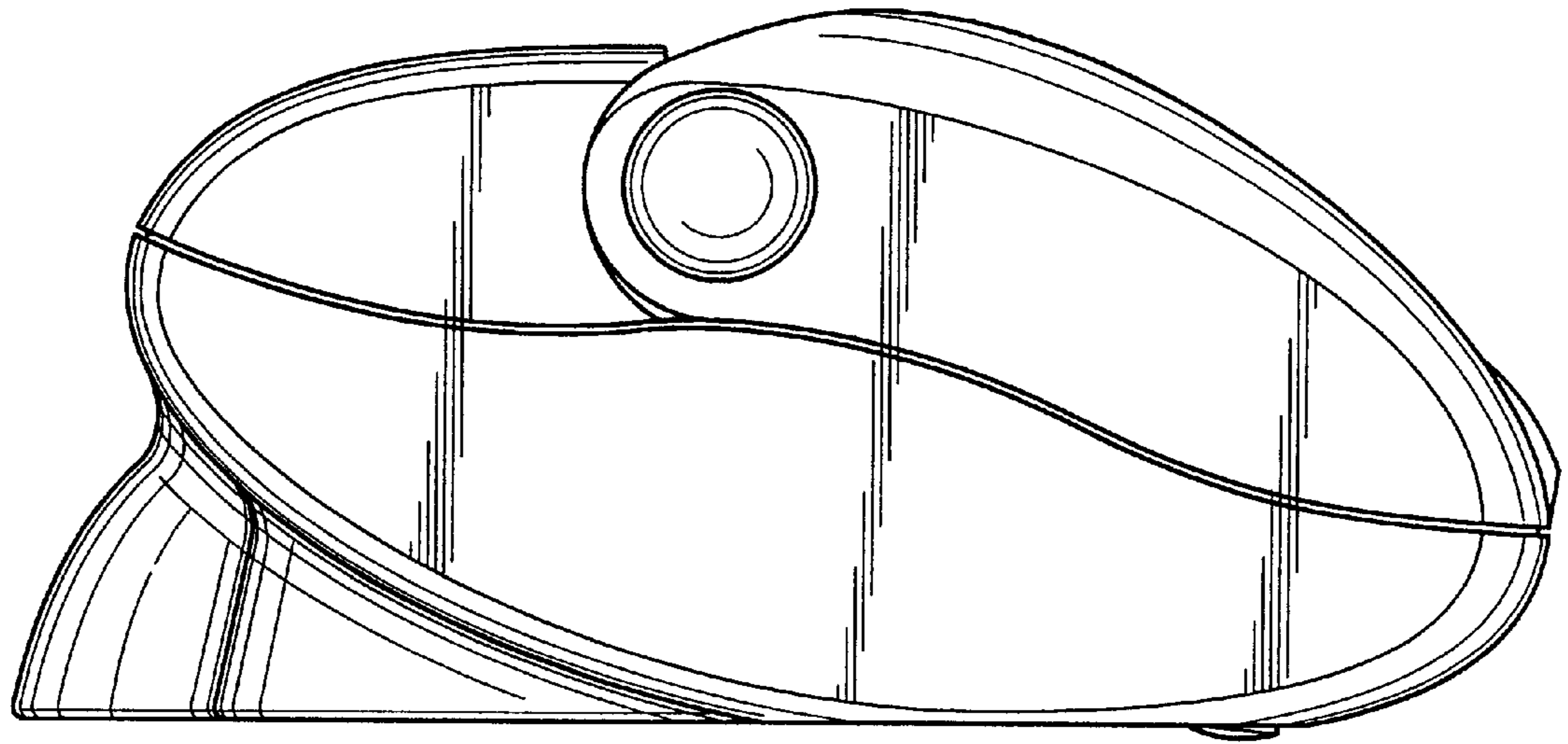


FIG. 5

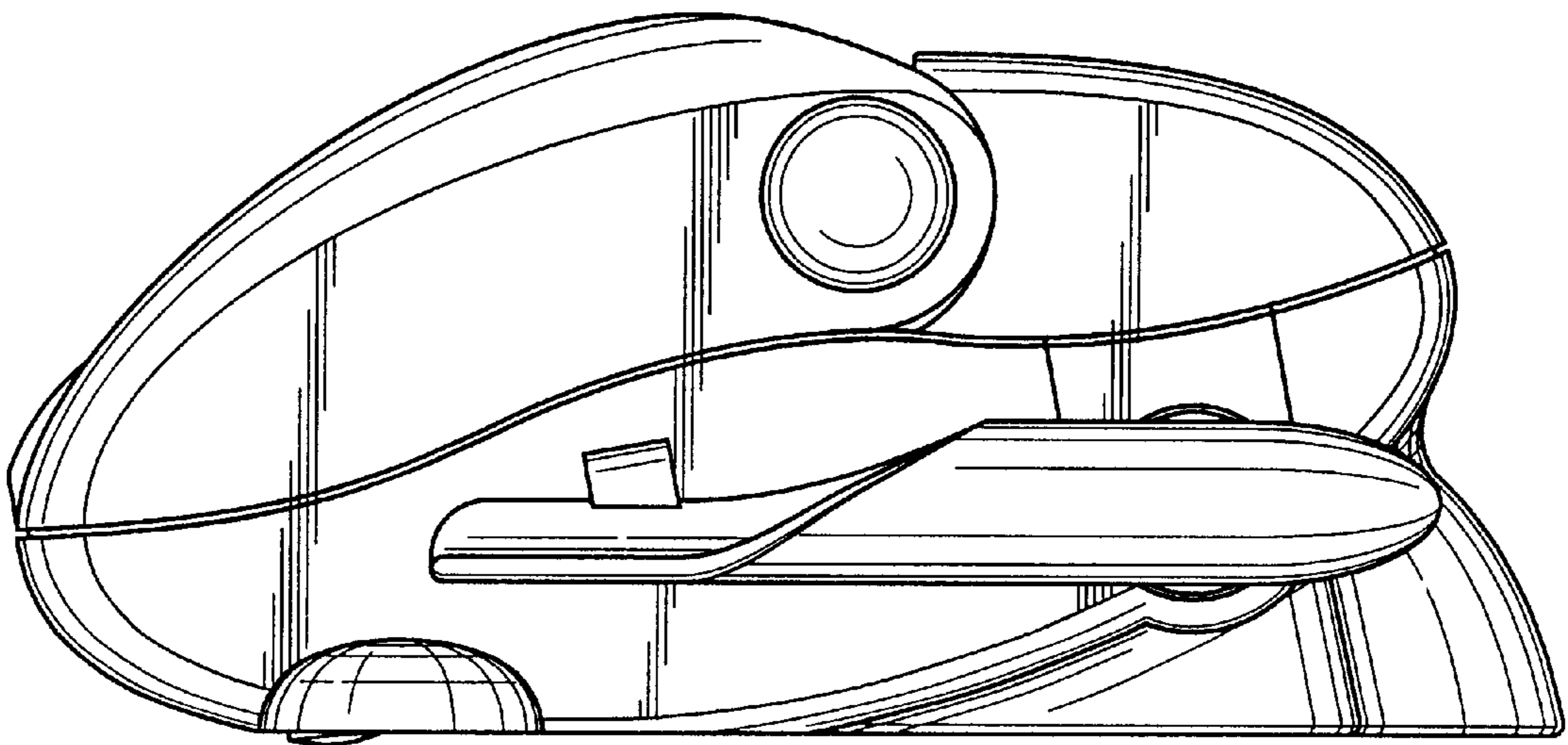


FIG. 6

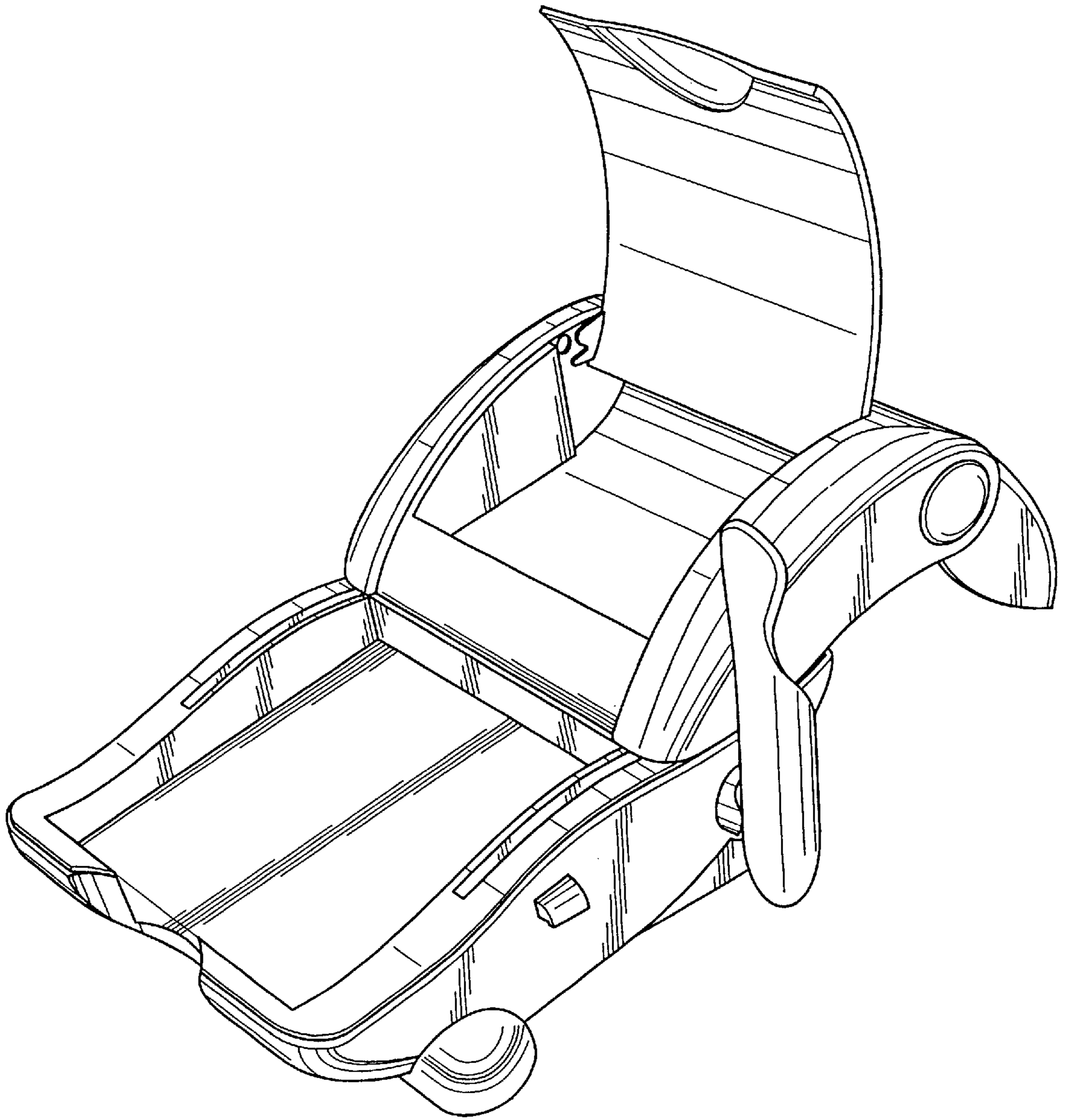


FIG. 8