



US00D431833S

# United States Patent [19] Umemura

[11] Patent Number: **Des. 431,833**

[45] Date of Patent: **\*\* Oct. 10, 2000**

[54] **INK CARTRIDGE**

[75] Inventor: **Syunji Umemura**, Suwa, Japan

[73] Assignee: **Seiko Epson Corporation**,  
Nagano-ken, Japan

[\*\*] Term: **14 Years**

[21] Appl. No.: **29/110,971**

[22] Filed: **Sep. 20, 1999**

### [30] Foreign Application Priority Data

Mar. 24, 1999 [JP] Japan ..... 11-7357

[51] **LOC (7) Cl.** ..... **18-02**

[52] **U.S. Cl.** ..... **D18/56; 347/86**

[58] **Field of Search** ..... **D18/56; 347/86,**  
**347/87, 33**

### [56] References Cited

#### U.S. PATENT DOCUMENTS

- D. 359,070 6/1995 Tokuda et al. .... D18/56
- D. 378,760 4/1997 Shinada et al. .... D18/56
- D. 381,039 7/1997 Shinada et al. .... D18/56
- D. 389,180 1/1998 Miyazawa et al. .... D18/56

- D. 397,143 8/1998 Kobayashi et al. .... D18/56
- D. 400,575 11/1998 Kobayashi et al. .... D18/56
- D. 401,620 11/1998 Nozawa et al. .... D18/56
- D. 406,163 2/1999 Shimizu et al. .... D18/56
- D. 409,236 5/1999 Fujii et al. .... D18/56
- D. 412,526 8/1999 Shimizu et al. .... D18/56
- D. 414,509 9/1999 Shimizu et al. .... D18/56
- 5,606,354 2/1997 Bekki et al. .... 347/33

*Primary Examiner*—Cathy Anne MacCormac  
*Attorney, Agent, or Firm*—Oliff & Berridge, PLC

### [57] CLAIM

The ornamental design for ink cartridge, as shown and described.

### DESCRIPTION

FIG. 1 is a front view of my inventive design for ink cartridge;  
 FIG. 2 is a rear view thereof;  
 FIG. 3 is a top view thereof;  
 FIG. 4 is a bottom view thereof;  
 FIG. 5 is a left side view thereof;  
 FIG. 6 is a right side view thereof;  
 FIG. 7 is a perspective view thereof from above; and,  
 FIG. 8 is a perspective view thereof from below.

**1 Claim, 2 Drawing Sheets**

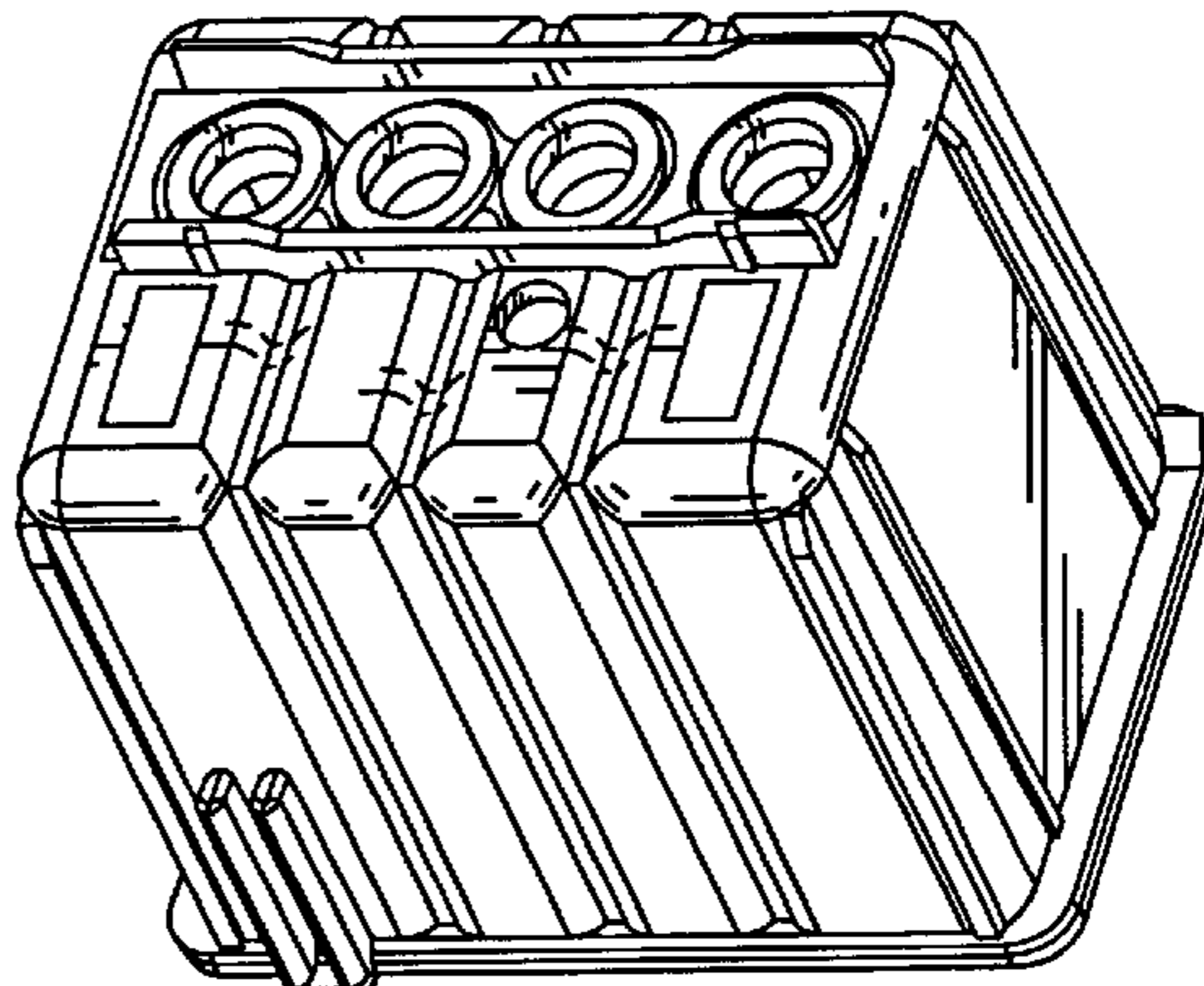
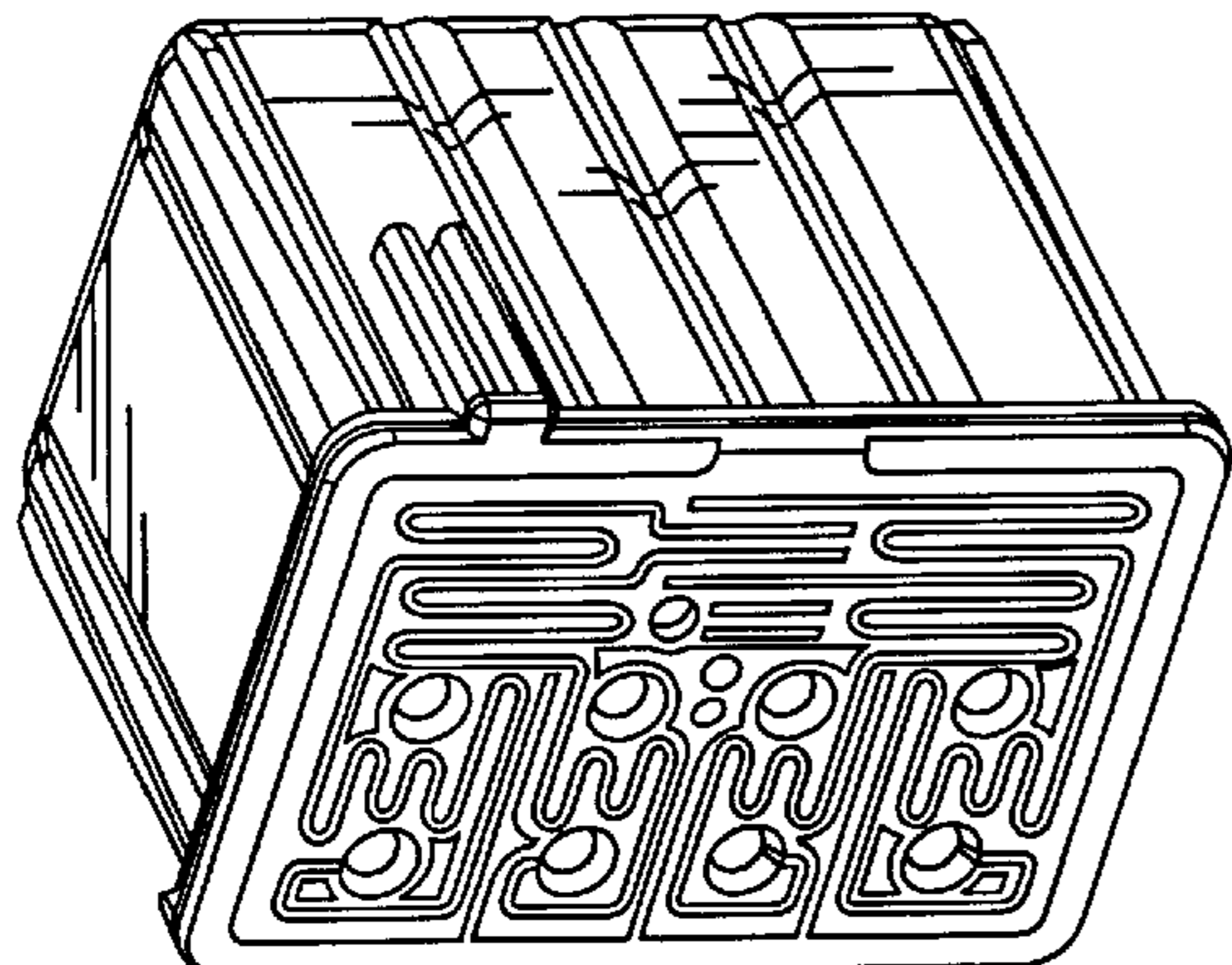
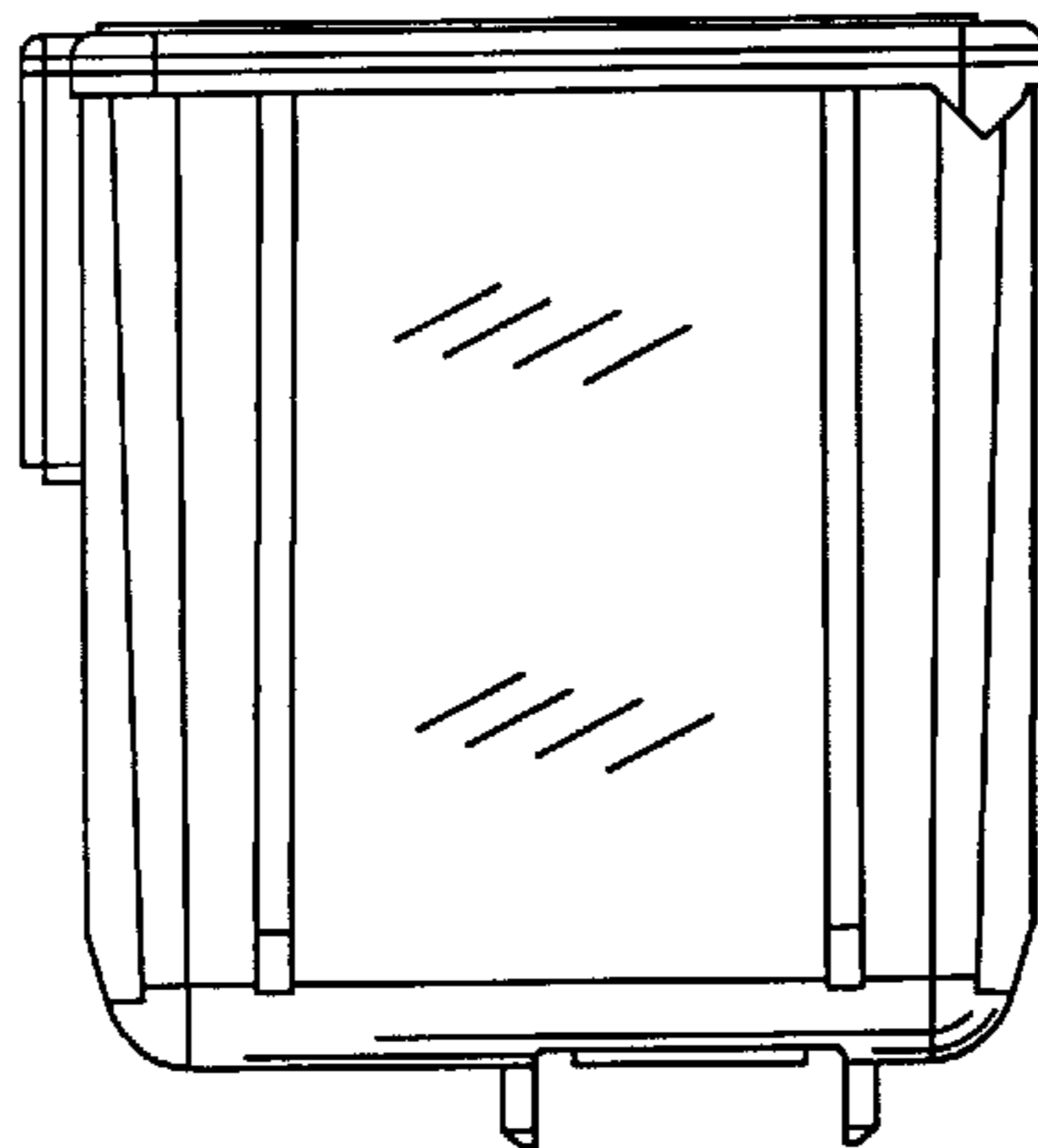


FIG. 1

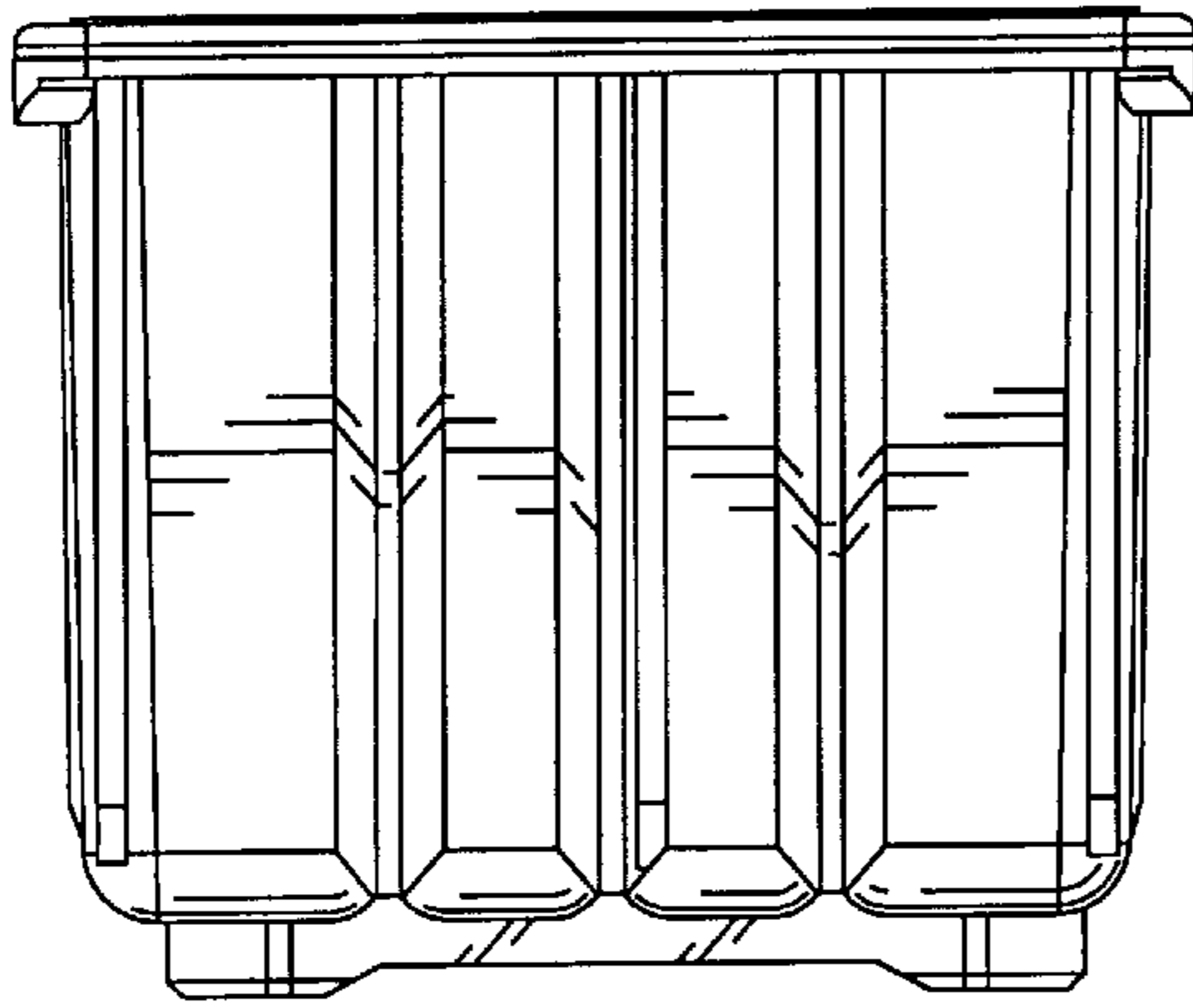


FIG. 2

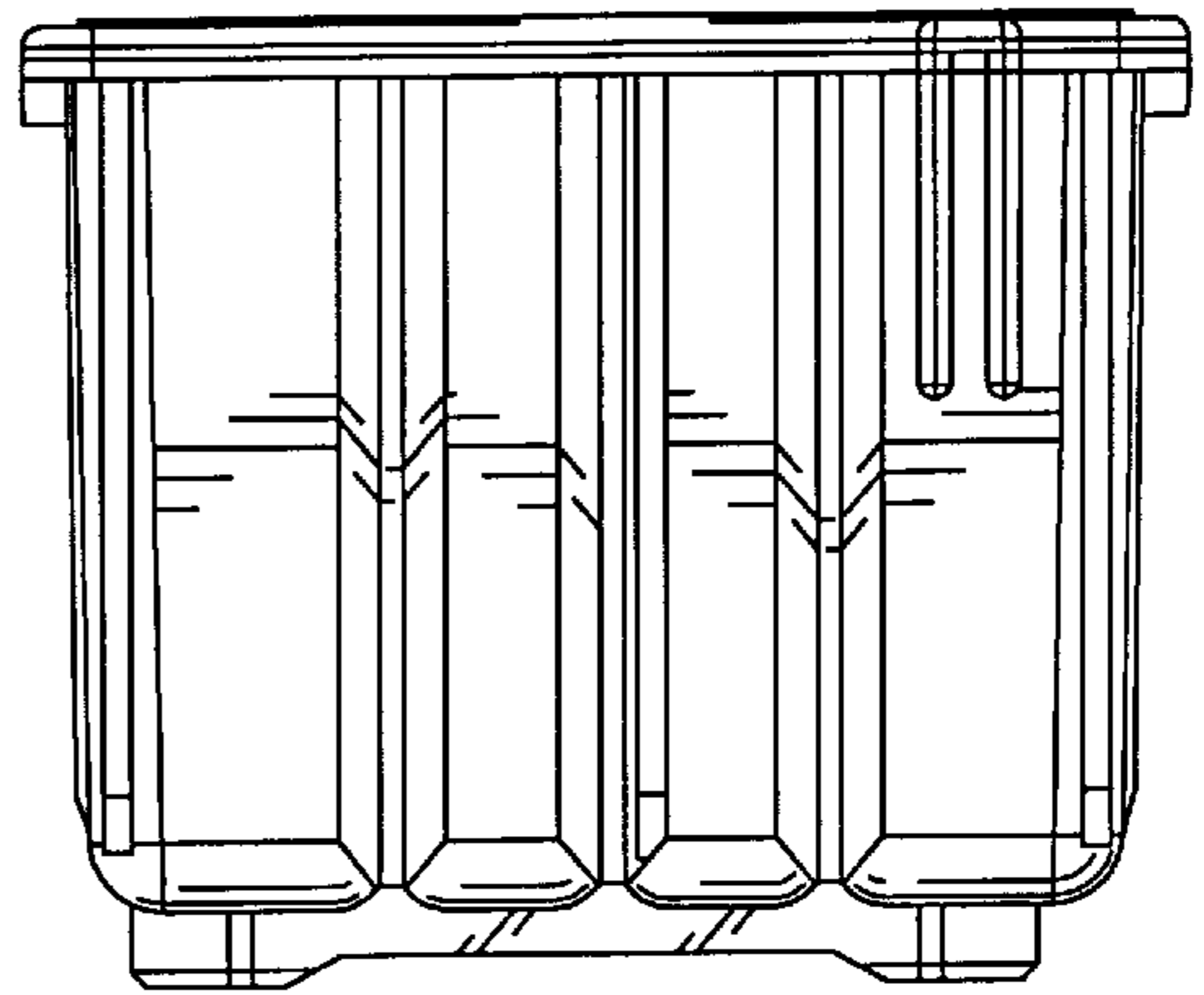


FIG. 3

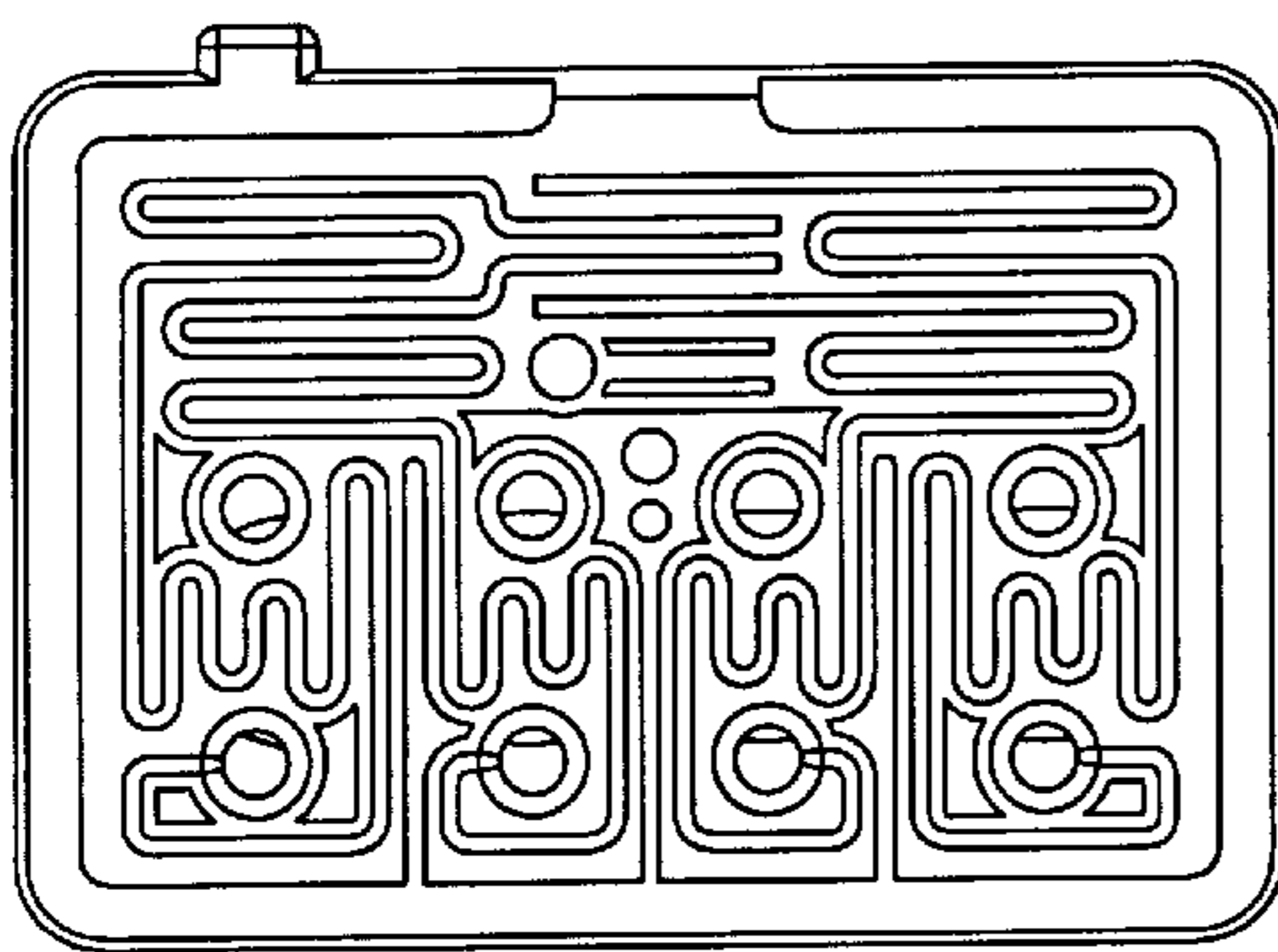


FIG. 4

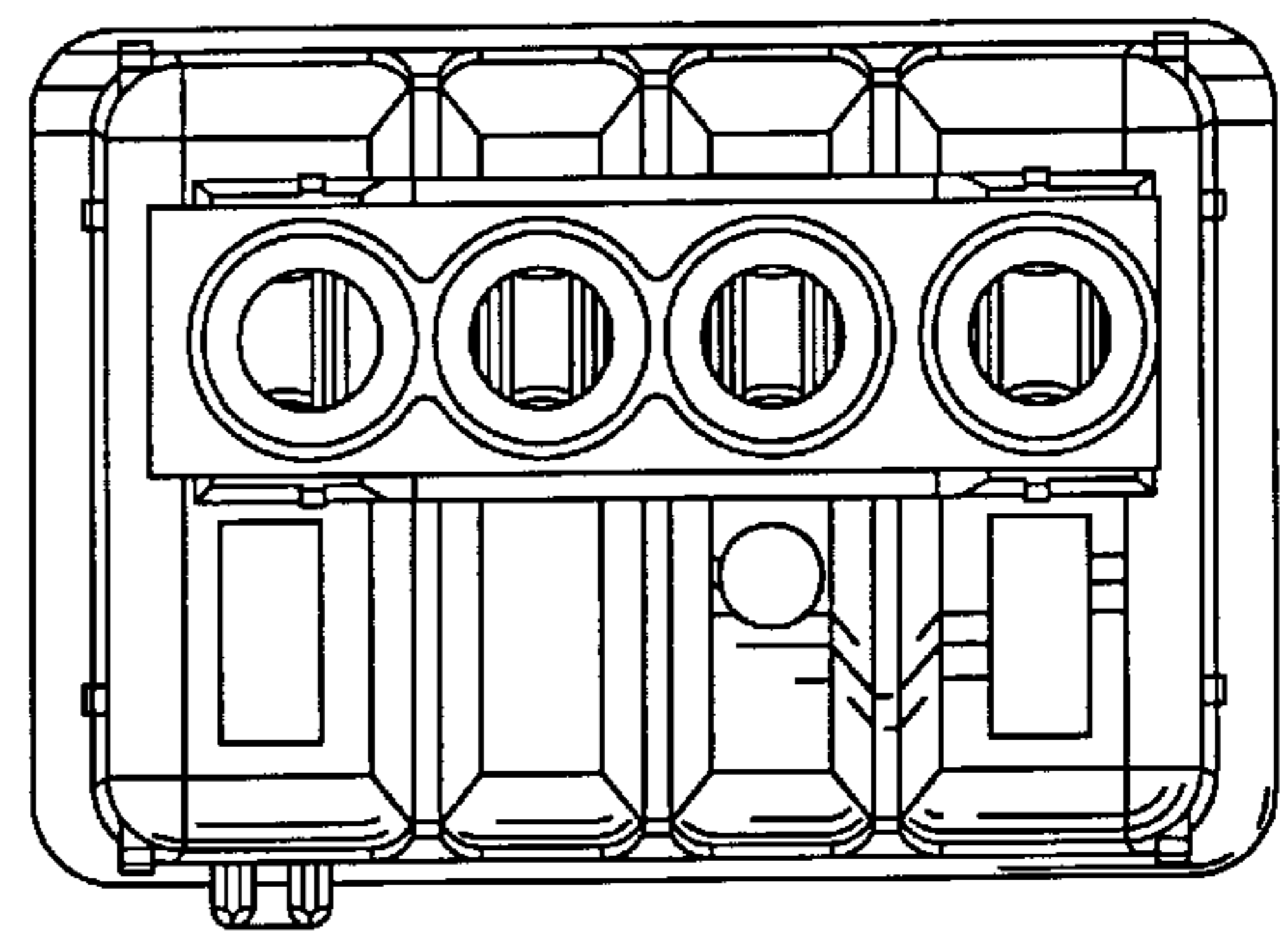


FIG. 5

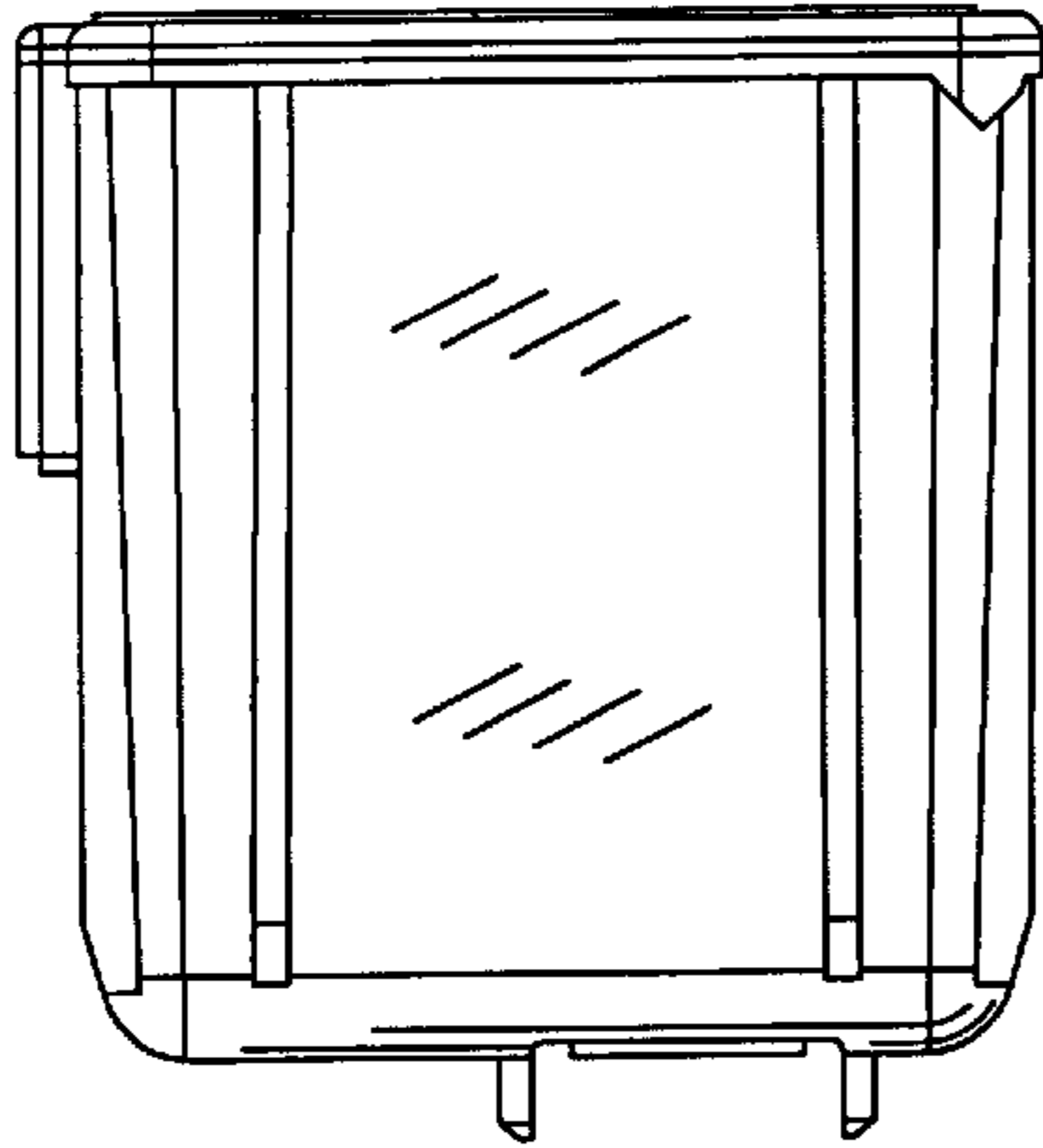


FIG. 6

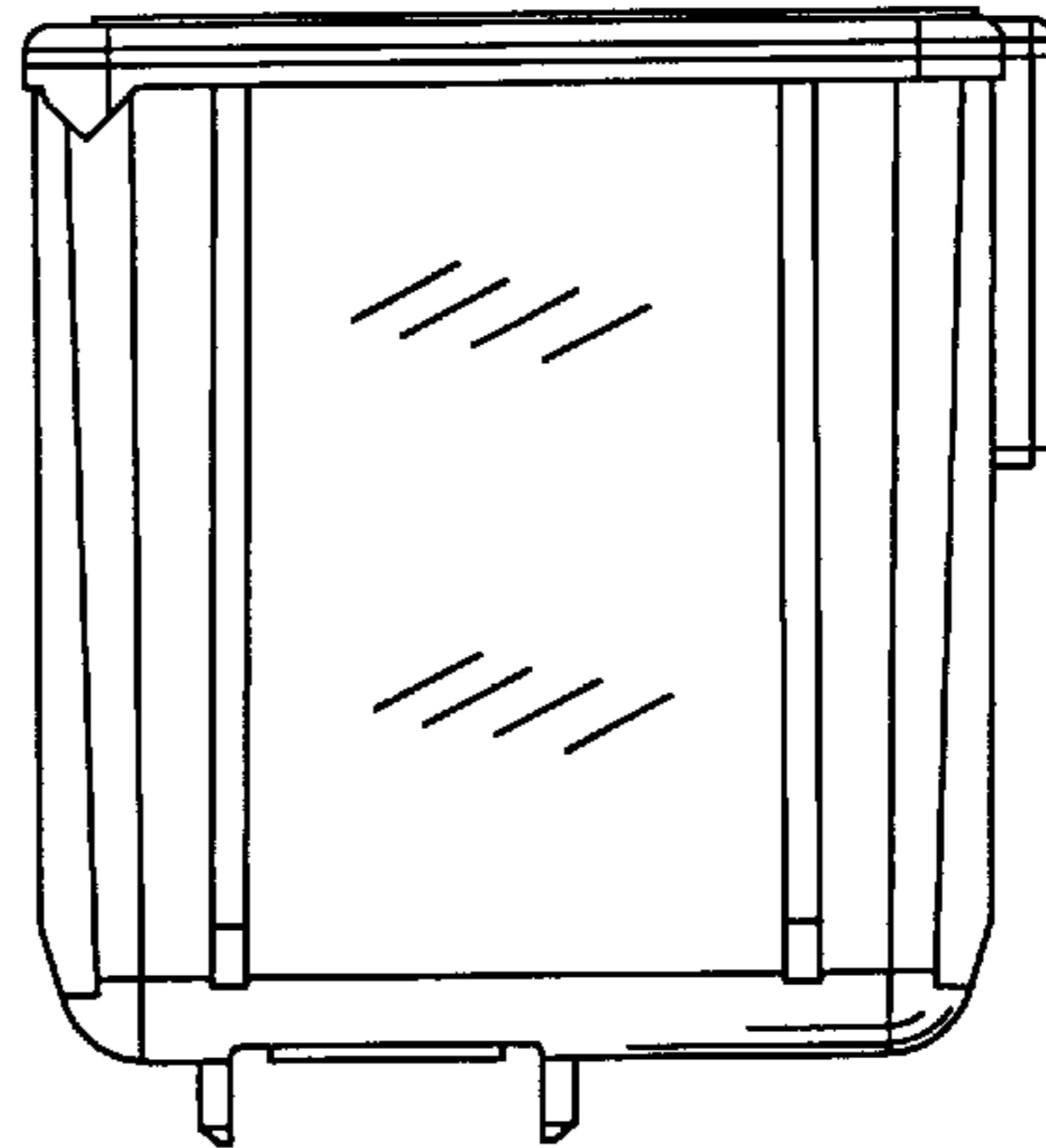


FIG. 7

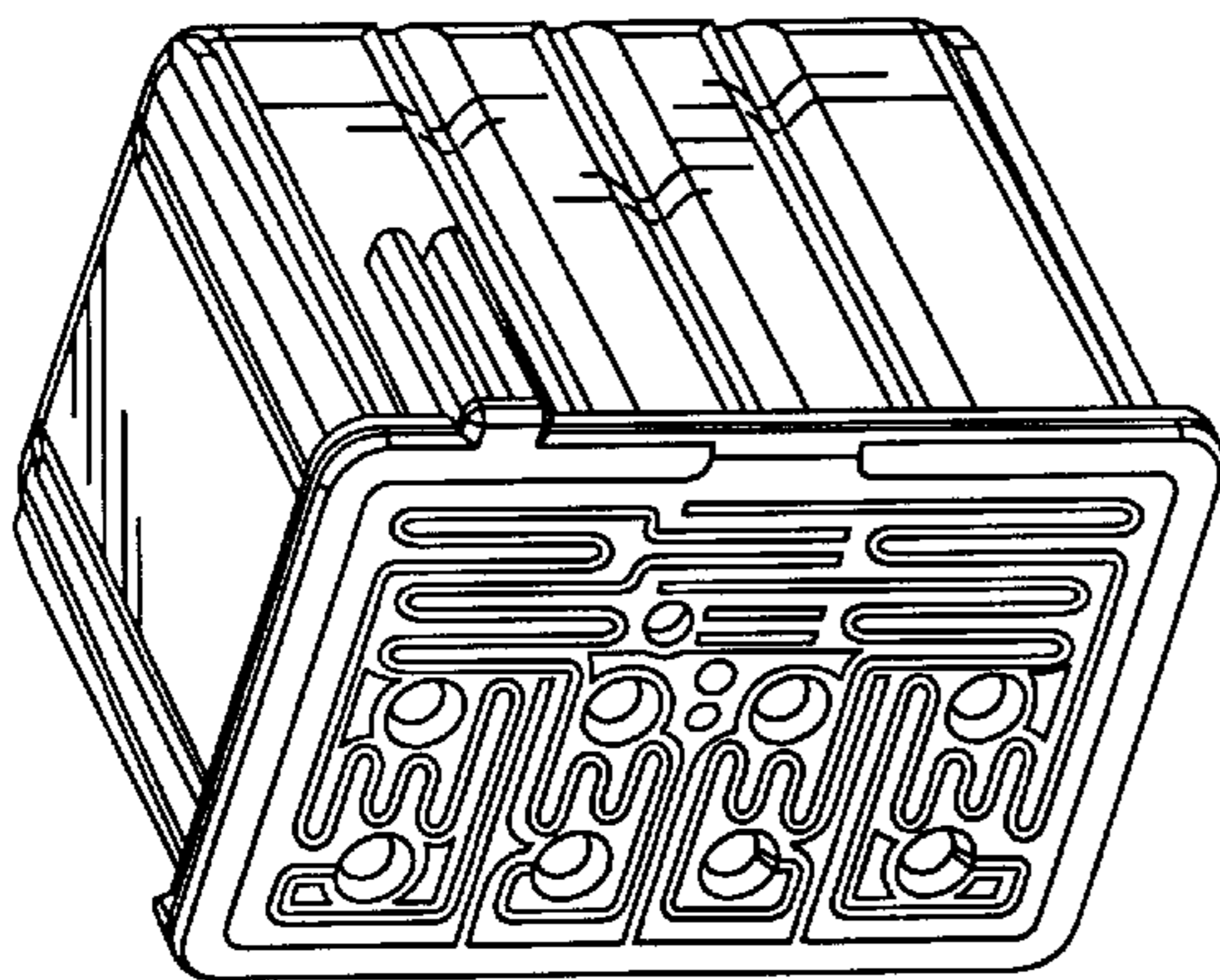


FIG. 8

