



US00D431832S

# United States Patent [19] Stuart

[11] **Patent Number: Des. 431,832**

[45] **Date of Patent: \*\* Oct. 10, 2000**

[54] **MUSICAL INSTRUMENT POSITIONING  
DEVICE**

4,656,917 4/1987 Van Halen ..... 84/327

[76] Inventor: **Coleman Stuart**, 24 John Stuart Rd.,  
Hattiesburg, Miss. 39402

### FOREIGN PATENT DOCUMENTS

41712 8/1925 Norway .  
677043 3/1991 Switzerland .

[\*\*] Term: **14 Years**

*Primary Examiner*—Adir Aronovich  
*Attorney, Agent, or Firm*—Stephen R. Greiner

[21] Appl. No.: **29/116,240**

[57] **CLAIM**

[22] Filed: **Dec. 30, 1999**

The ornamental design for a musical instrument positioning device, as shown and described.

[51] **LOC (7) Cl.** ..... **17-03**

[52] **U.S. Cl.** ..... **D17/20**

[58] **Field of Search** ..... D17/20, 99; 84/280,  
84/281, 327, 328, 453

### DESCRIPTION

### [56] References Cited

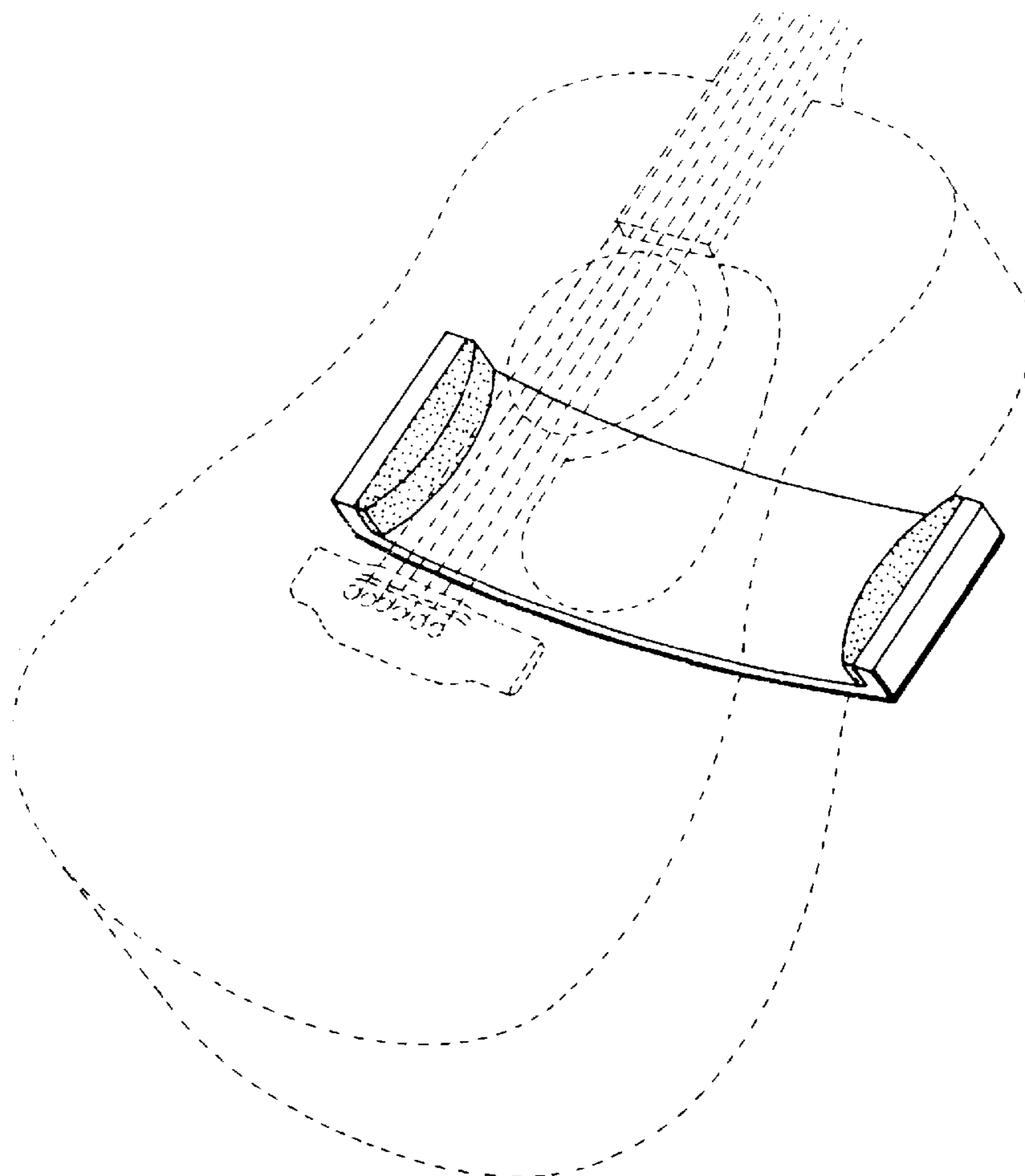
#### U.S. PATENT DOCUMENTS

D. 406,269	3/1999	Mach	.....	D17/20
672,444	4/1901	Haile .		
1,342,202	6/1920	Cox .		
1,958,451	5/1934	Syverston	.....	84/280
2,064,925	12/1936	Kolitsch	.....	84/280
2,478,530	8/1949	Hall	.....	84/280
2,547,924	4/1951	Citro	.....	84/327
3,690,211	9/1972	Long	.....	84/280
4,084,477	4/1978	Dominguez	.....	84/327

FIG. 1 is a perspective view of a musical instrument positioning device showing my new design;  
FIG. 2 is a top elevational view with the bottom view being a mirror image thereof;  
FIG. 3 is a front view thereof;  
FIG. 4 is a rear view thereof; and,  
FIG. 5 is a right side elevational view with the left side being a mirror image thereof.

The broken line showing of a guitar in FIG. 1 is for environmental purposes only and forms no part of the claimed design.

**1 Claim, 1 Drawing Sheet**



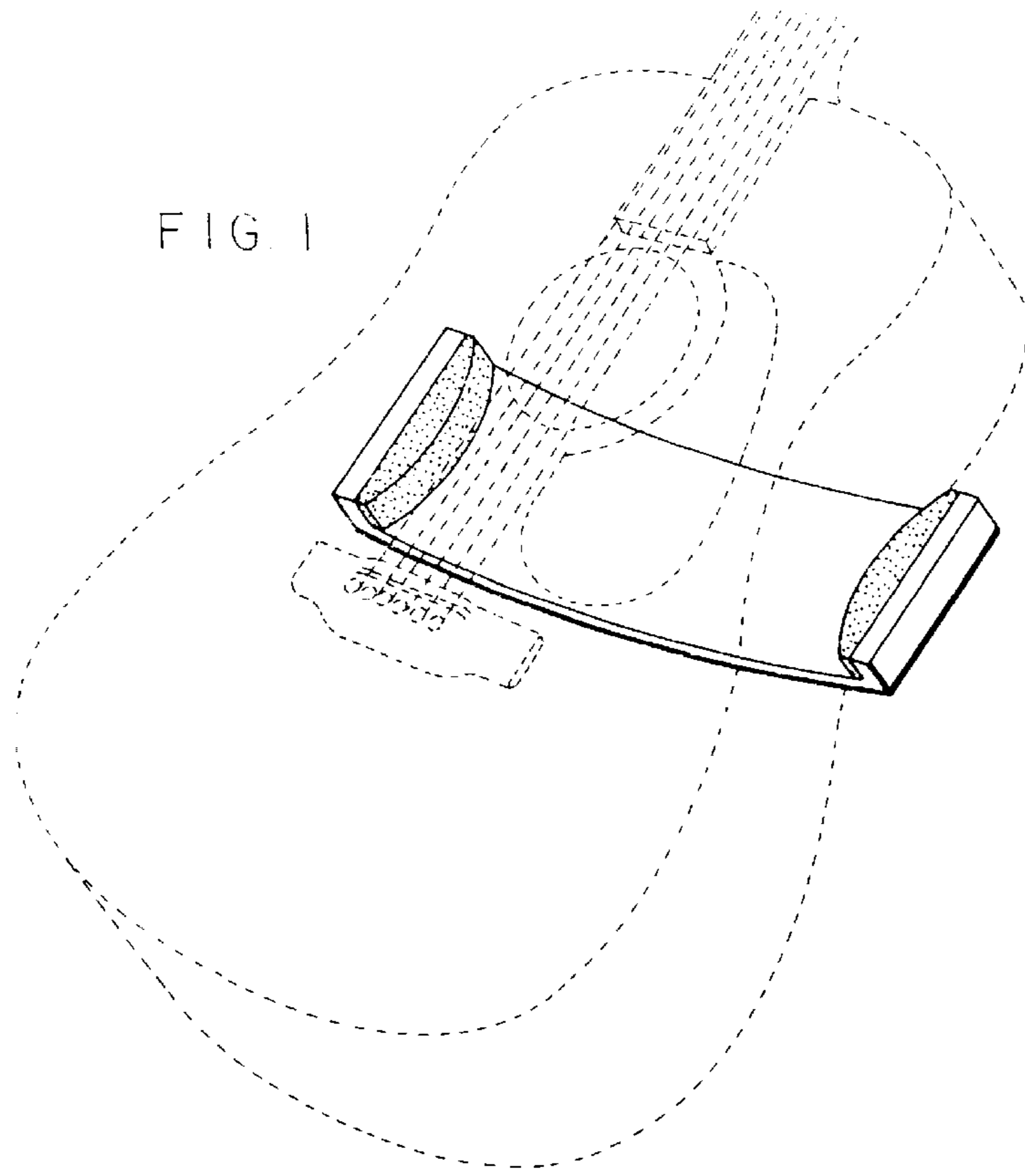


FIG. 1



FIG. 2

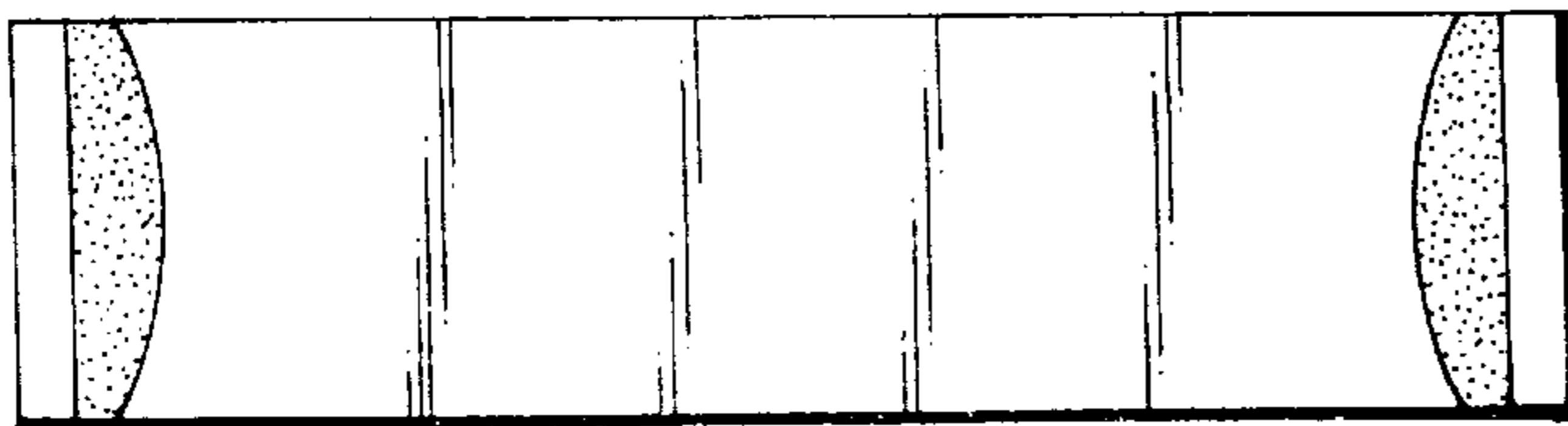


FIG. 3

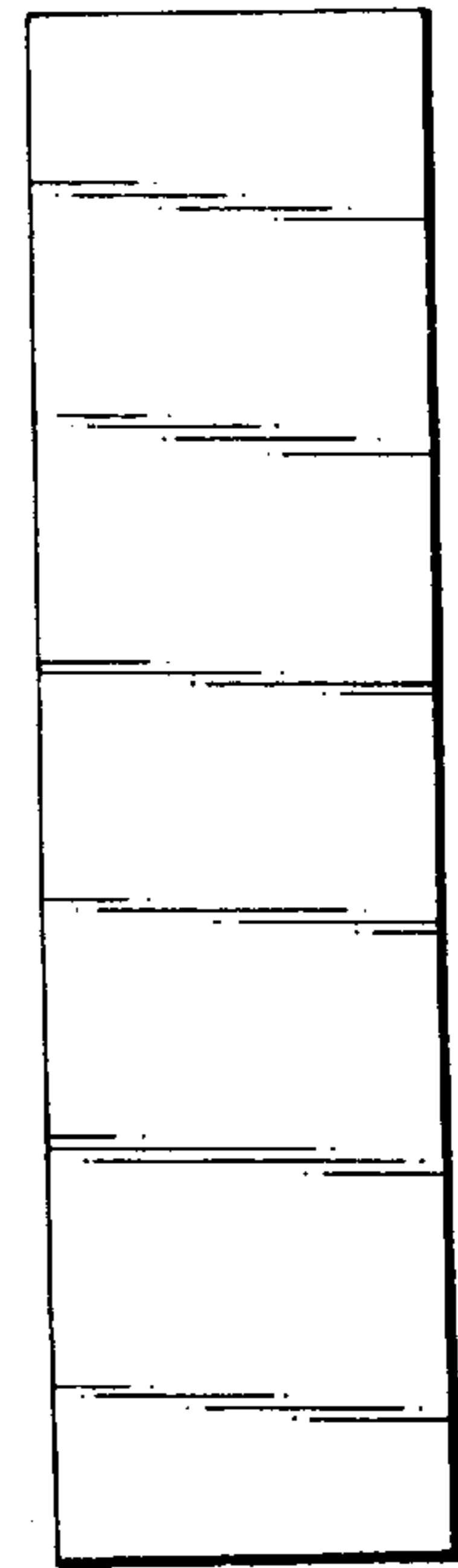


FIG. 4

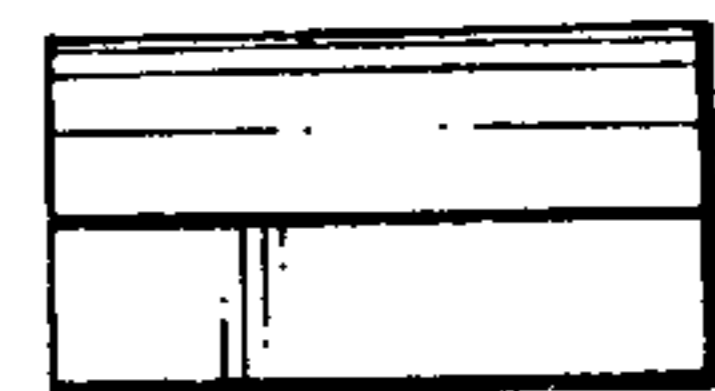


FIG. 5