



US00D431827S

United States Patent [19] Yim

[11] **Patent Number: Des. 431,827**

[45] **Date of Patent: ** Oct. 10, 2000**

[54] **DIGITAL CAMERA**

[75] Inventor: **Hyun Taek Yim**, Seoul, Rep. of Korea

[73] Assignee: **Samsung Electronics Co. Ltd.**, Suwon, Rep. of Korea

[**] Term: **14 Years**

[21] Appl. No.: **29/100,534**

[22] Filed: **Feb. 12, 1999**

[30] **Foreign Application Priority Data**

Aug. 22, 1998 [KR] Rep. of Korea 98-14055

[51] **LOC (7) Cl.** **16-01**

[52] **U.S. Cl.** **D16/202**

[58] **Field of Search** D16/200-205,
D16/208, 218; 348/14-20, 373-376; 358/909.1;
396/535-543

[56] **References Cited**

U.S. PATENT DOCUMENTS

D. 296,551 7/1988 Mizogui D16/202
D. 384,964 10/1997 Ito et al. D16/202

D. 408,044 4/1999 Tanaka et al. D16/202
4,937,676 6/1990 Finelli et al. 348/375
5,610,678 3/1997 Tsuboi et al. 396/373
5,825,408 10/1998 Yuyama et al. 348/14

OTHER PUBLICATIONS

Sony Handycam Catalog, Dec. 1996, p.16 (Digital Handycam DCR-PC7).

Primary Examiner—Adir Aronovich
Attorney, Agent, or Firm—Ladas & Parry

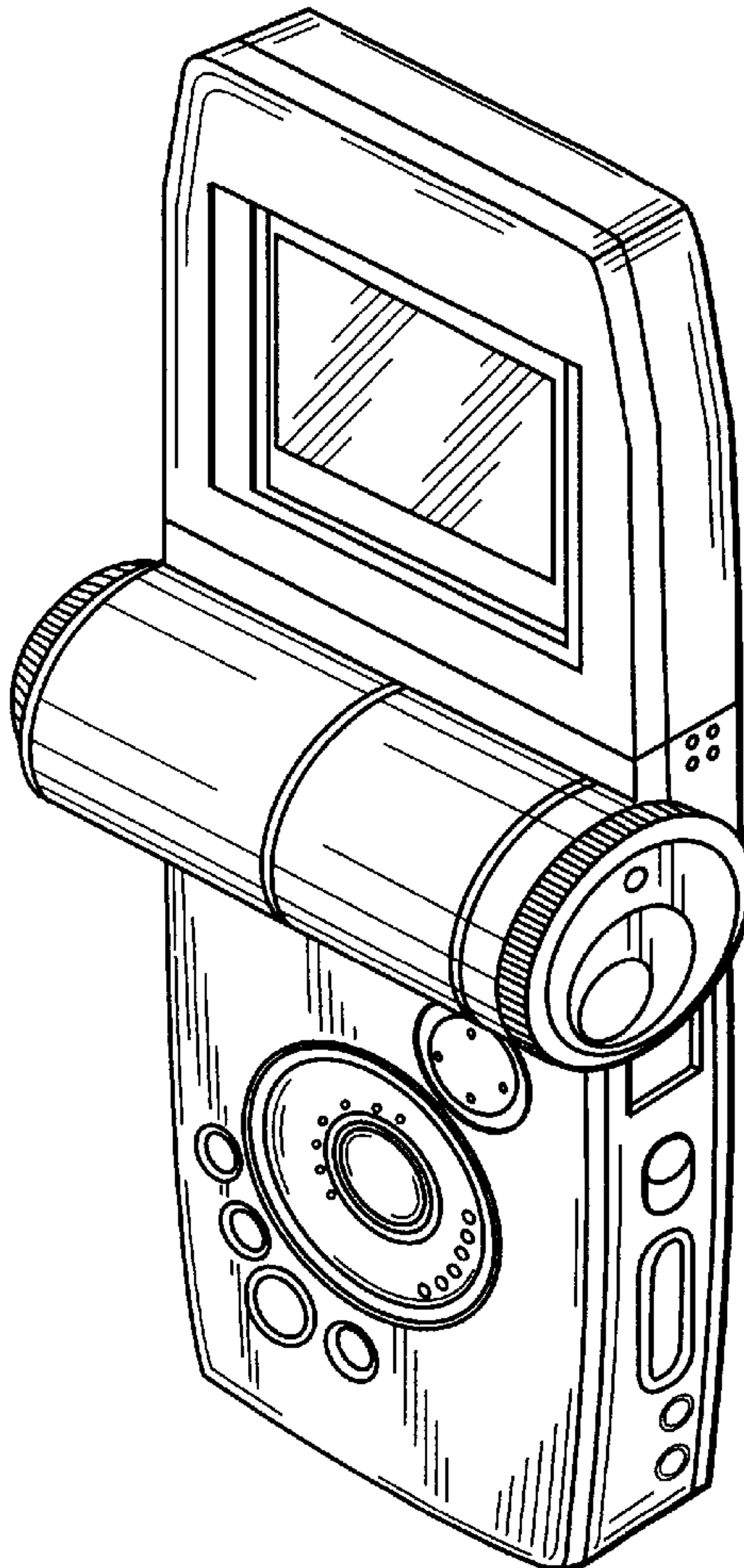
[57] **CLAIM**

The ornamental design for a digital camera, as shown and described.

DESCRIPTION

FIG. 1 is a perspective view of my new design;
FIG. 2 is a top view showing my new design;
FIG. 3 is a front view showing my new design;
FIG. 4 is a right side view showing my new design;
FIG. 5 is a bottom view showing my new design;
FIG. 6 is a left side view showing my new design; and,
FIG. 7 is a rear view showing my new design.

1 Claim, 3 Drawing Sheets



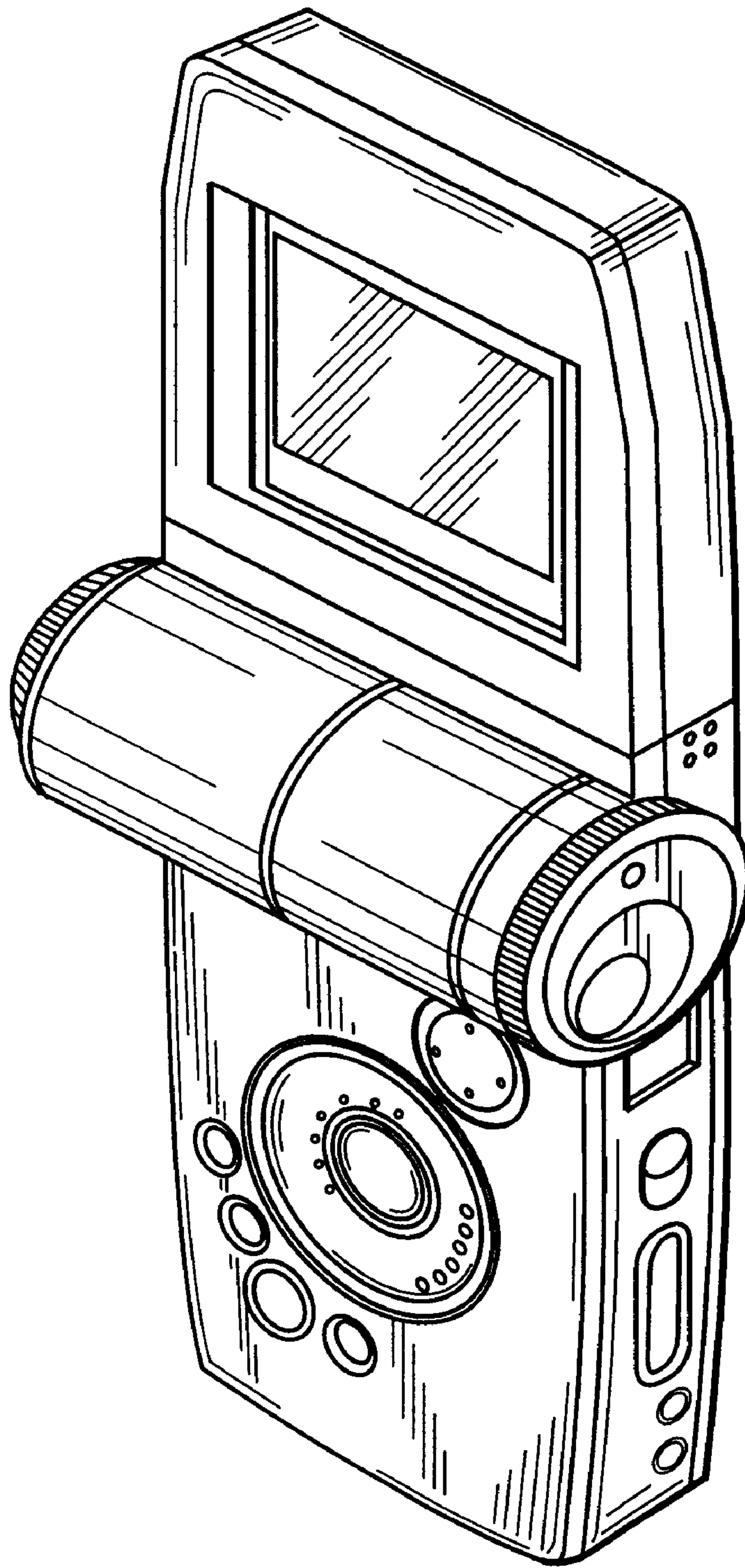


FIG. 1

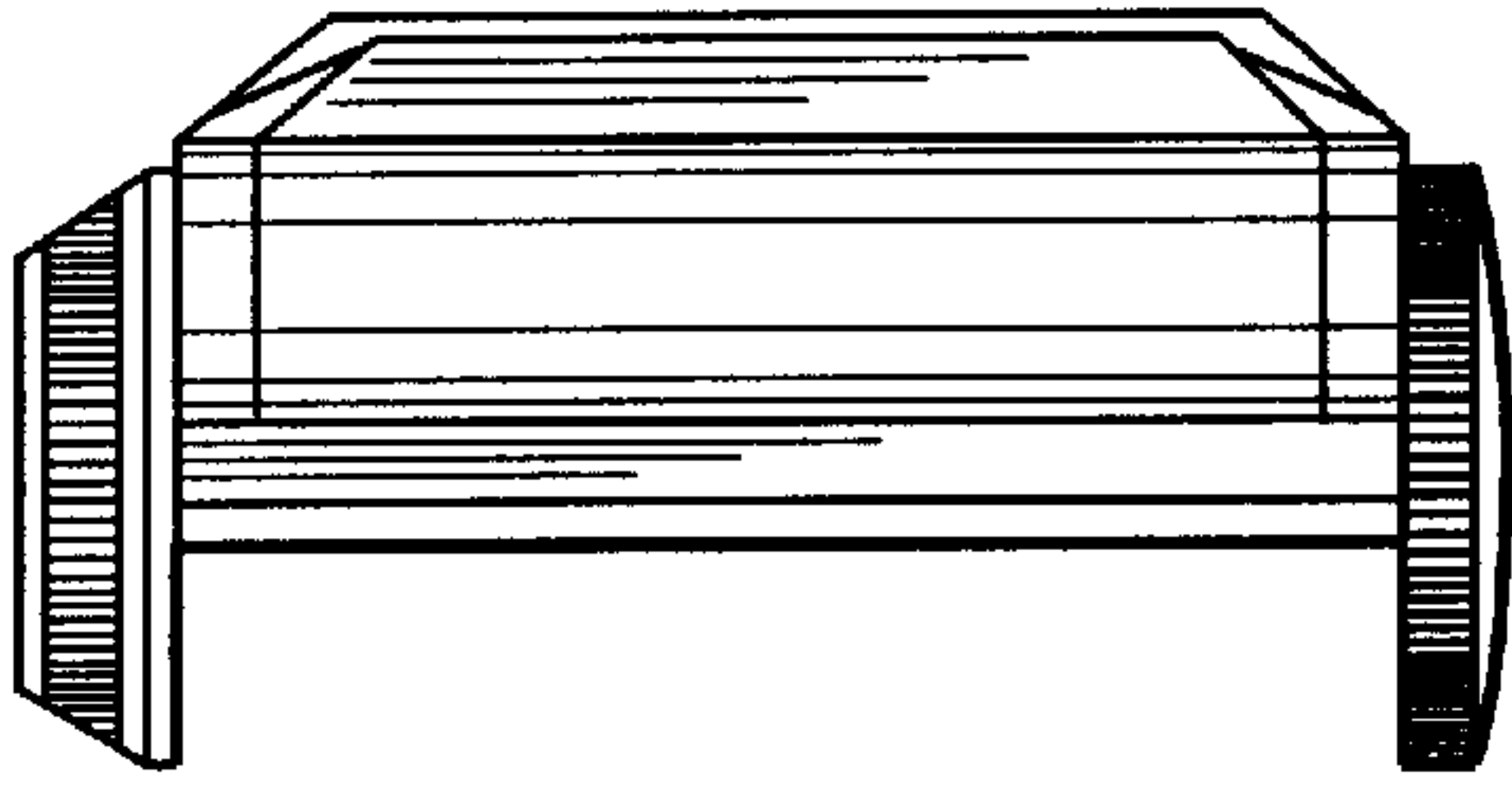


FIG. 2

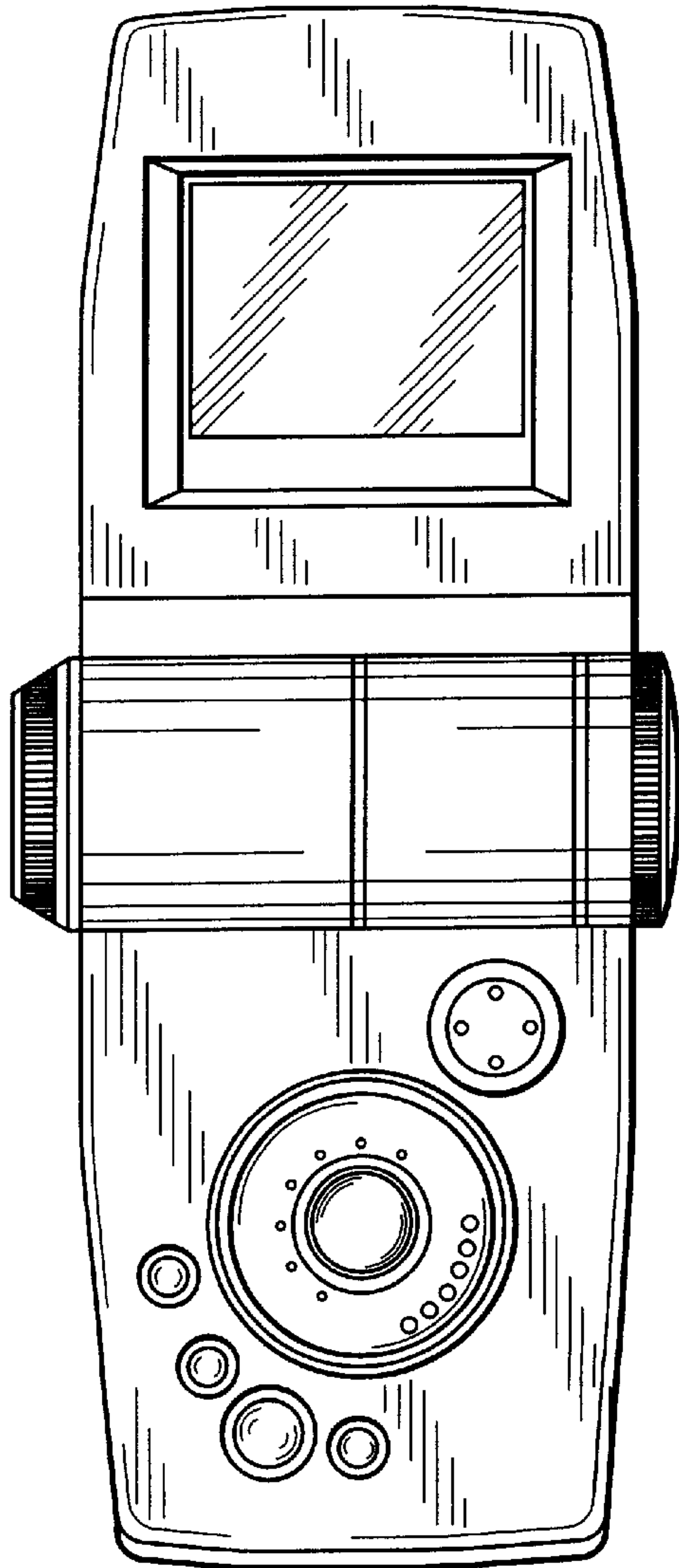


FIG. 3

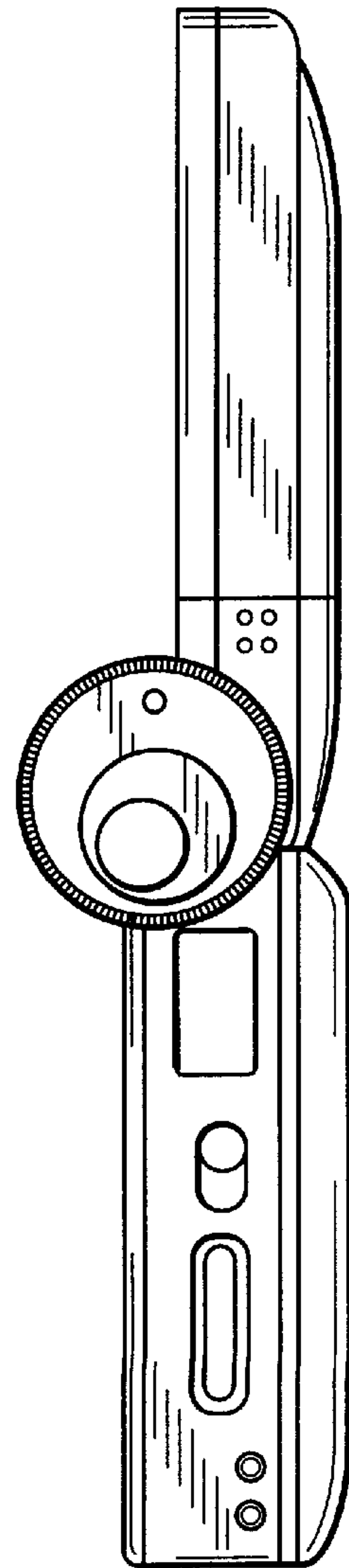


FIG. 4

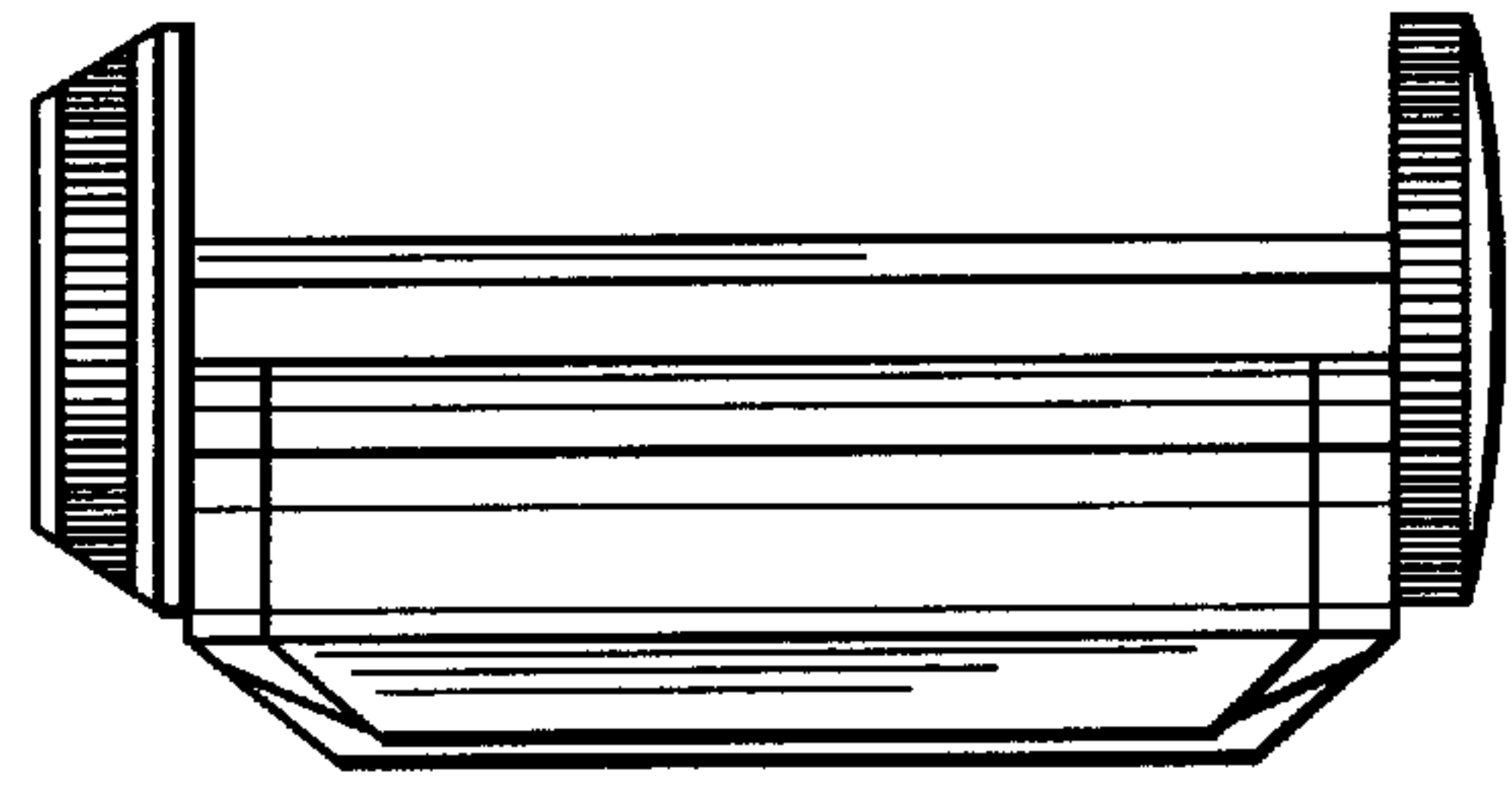


FIG. 5

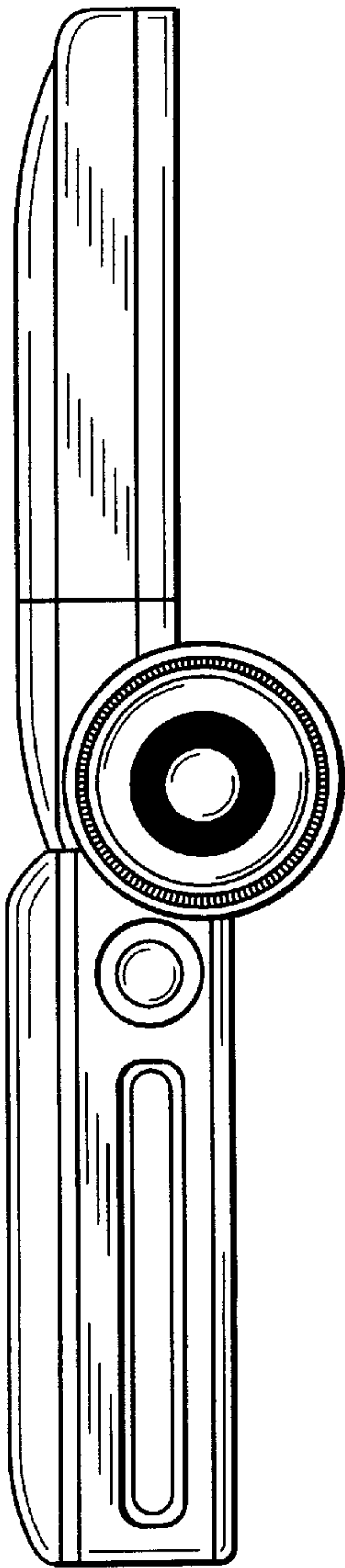


FIG. 6

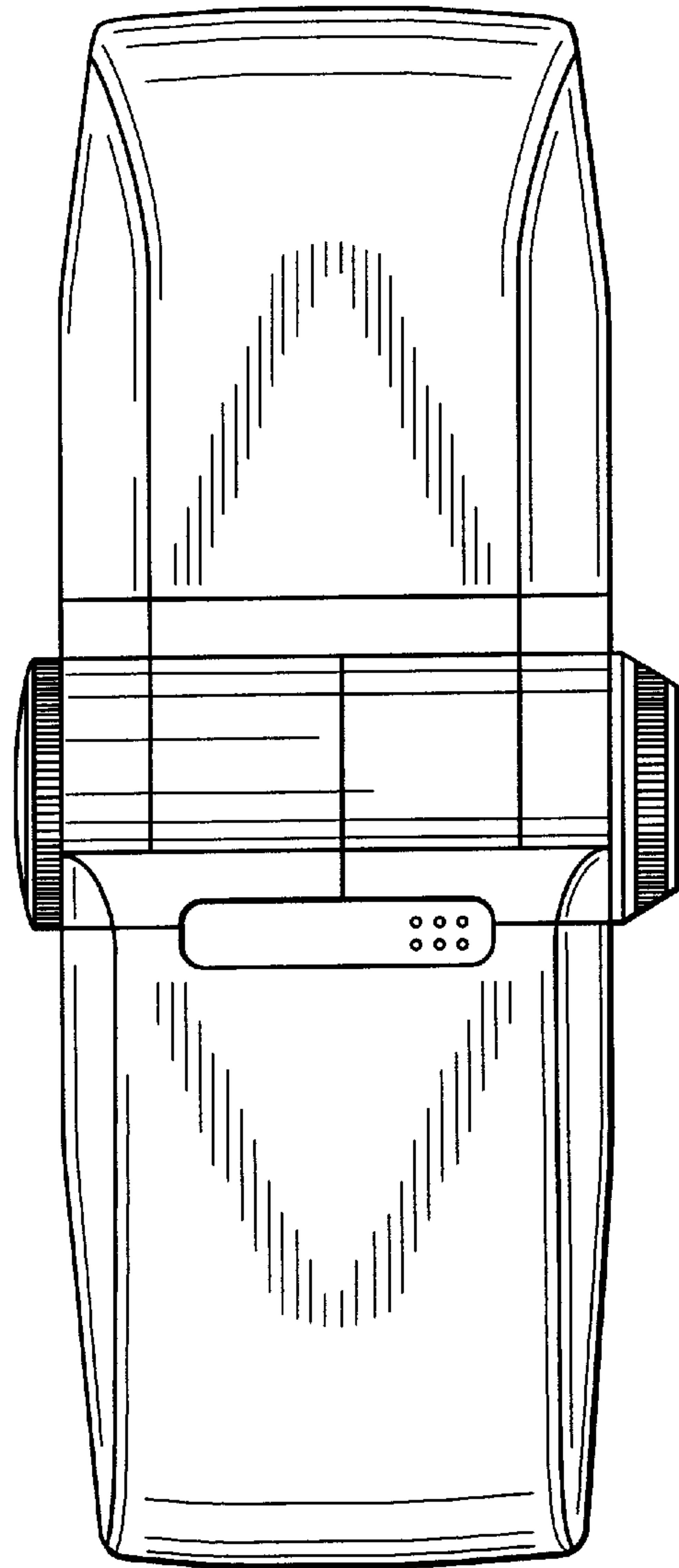


FIG. 7