



US00D431824S

# United States Patent [19]

Nagele et al.

[11] Patent Number: **Des. 431,824**

[45] Date of Patent: **\*\* Oct. 10, 2000**

[54] **WIRELESS INFORMATION TRANSFER SYSTEM FRONT PANEL**

D. 404,391 1/1999 Herbstritt et al. .... D14/443 X  
D. 412,157 7/1999 Stevenson ..... D14/443

[75] Inventors: **Albert L. Nagele**, Wilmette; **Leonid Soren**, Lincolnwood, both of Ill.; **Mark D. Summers**, Phoenix, Ariz.; **Daniel N. Kuczyk**; **Richard K. Johnson**, both of Scottsdale, Ariz.

*Primary Examiner*—Freda Nunn  
*Attorney, Agent, or Firm*—Gregory J. Gorrie

[73] Assignee: **Motorola, Inc.**, Schaumburg, Ill.

[\*\*] Term: **14 Years**

[57] **CLAIM**

The ornamental design for a wireless information transfer system front panel, as shown and described.

[21] Appl. No.: **29/112,593**

[22] Filed: **Oct. 20, 1999**

**DESCRIPTION**

[51] **LOC (7) Cl.** ..... **14-02**

[52] **U.S. Cl.** ..... **D14/443**

[58] **Field of Search** ..... D14/441, 443, D14/444, 445, 446, 257, 258; D13/162, 164, 184, 199; D10/103; 312/223.2; 361/680-686

FIG. 1 is a perspective view showing the top, left and front side of our new design for a wireless information transfer system front panel;

FIG. 2 is a right side elevational view thereof; and,

FIG. 3 is a bottom plan view thereof.

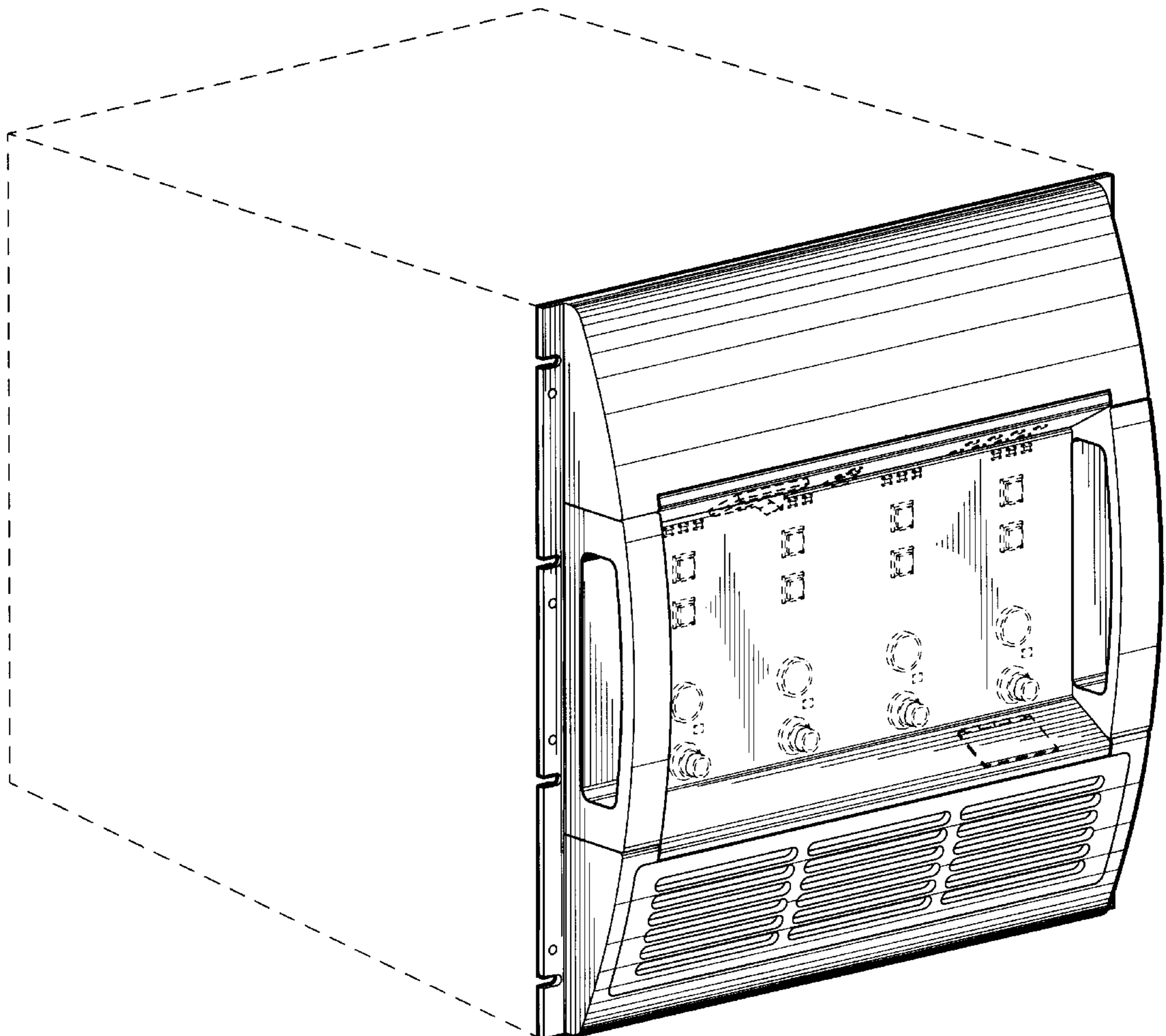
The broken lines are shown in the views for illustrative purposes only and form no part of the claimed design.

[56] **References Cited**

**U.S. PATENT DOCUMENTS**

D. 354,747 1/1995 Herbstritt et al. .... D14/443

**1 Claim, 2 Drawing Sheets**



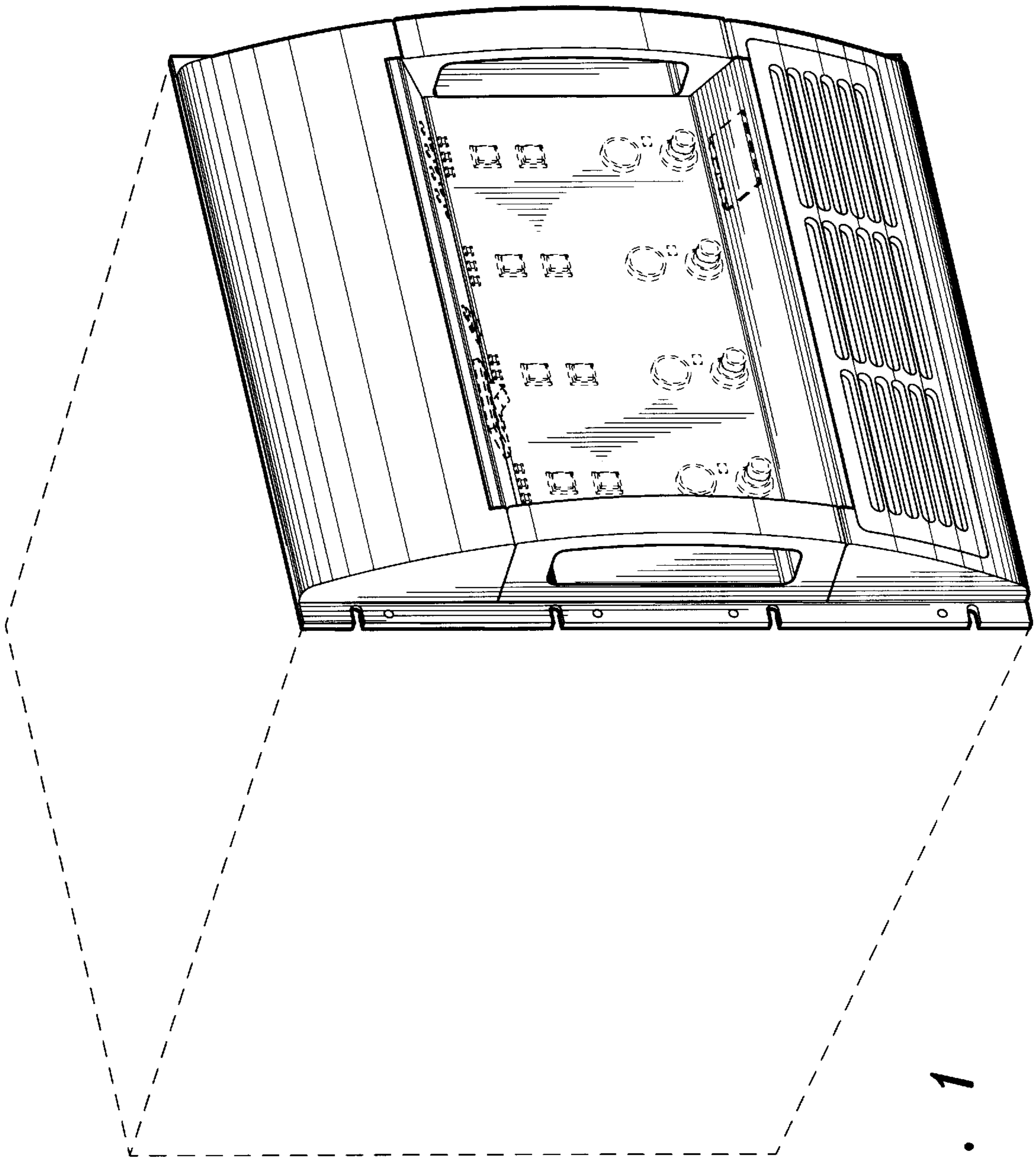
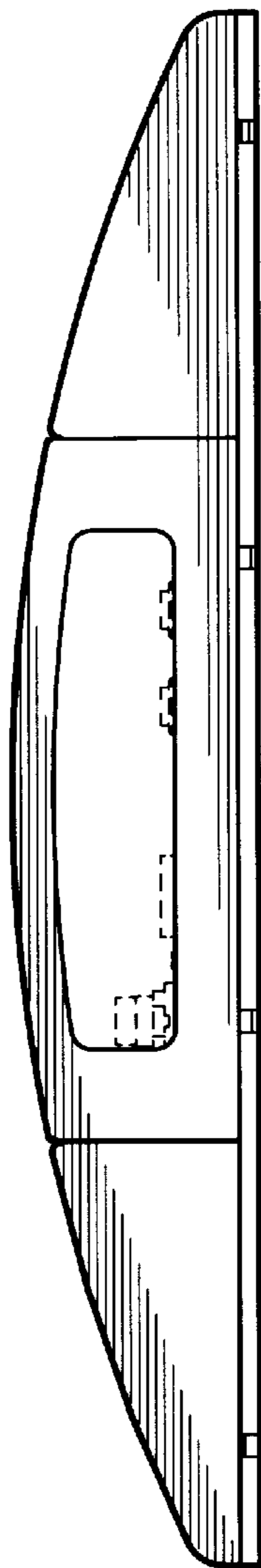
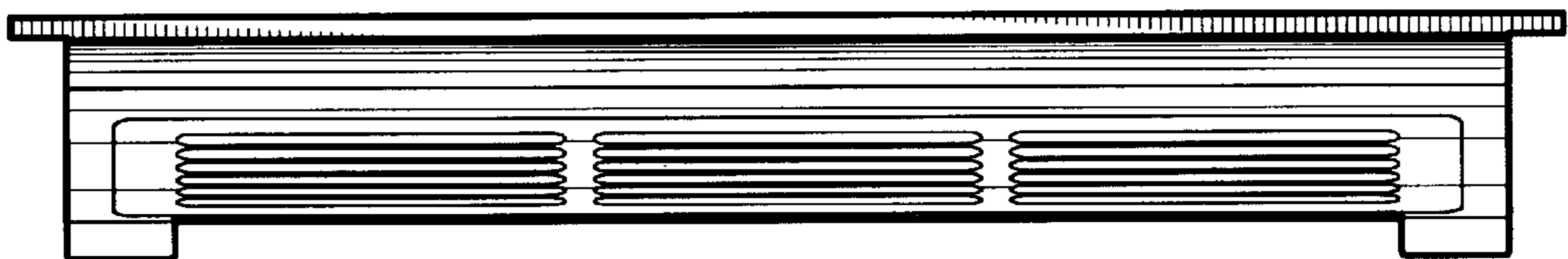


FIG. 1



*FIG. 2*



*FIG. 3*