



US00D431822S

United States Patent [19]

Armstrong et al.

[11] Patent Number: **Des. 431,822**

[45] Date of Patent: **** *Oct. 10, 2000**

[54] **COMPUTER SUBSYSTEM ENCLOSURE IN A TOWER ORIENTATION**

D. 362,238 9/1995 Alo, Jr. et al. D14/102
D. 383,448 9/1997 Richardson et al. D14/102
D. 384,649 10/1997 Heberling et al. D14/102

[75] Inventors: **Alison H. Armstrong; Jonathon Guerra; Mark J. Ciesko**, all of San Francisco, Calif.

Primary Examiner—Freda Nunn
Attorney, Agent, or Firm—Conley, Rose & Tayon, PC; B. Noel Kivlin

[73] Assignee: **Sun Microsystems, Inc.**, Palo Alto, Calif.

[57] **CLAIM**

[*] Notice: This patent is subject to a terminal disclaimer.

The ornamental design for a computer subsystem enclosure in a tower orientation, as shown and described.

[**] Term: **14 Years**

DESCRIPTION

[21] Appl. No.: **29/101,242**

FIG. 1 is a top perspective view of a computer subsystem enclosure in a tower orientation;

[22] Filed: **Mar. 1, 1999**

FIG. 2 is a right side view of a computer subsystem enclosure in a tower orientation;

[51] **LOC (7) Cl.** **14-02**

FIG. 3 is a front view of a computer subsystem enclosure in a tower orientation;

[52] **U.S. Cl.** **D14/349; D14/352**

[58] **Field of Search** D14/348-352; D13/162, 184, 199; D6/432, 436, 445, 448; 312/208.1; 360/99.12; 361/680-686; 369/34, 36

FIG. 4 is a top view of a computer subsystem enclosure in a tower orientation; and

FIG. 5 is a left side view of a computer subsystem enclosure in a tower orientation.

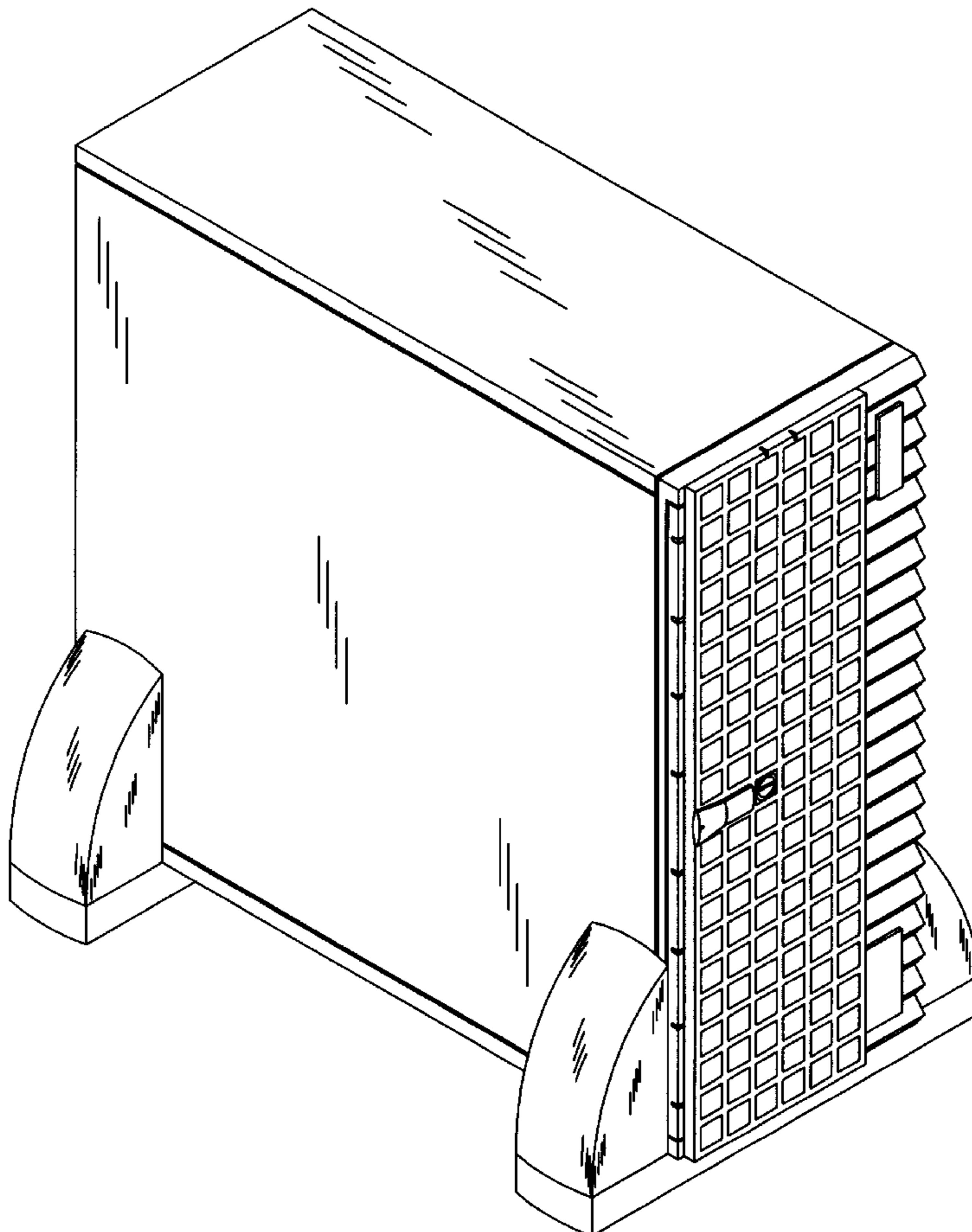
The undisclosed views are understood not to be a part of the claimed design.

[56] **References Cited**

U.S. PATENT DOCUMENTS

D. 342,724 12/1993 Yurkonis et al. D14/100

1 Claim, 3 Drawing Sheets



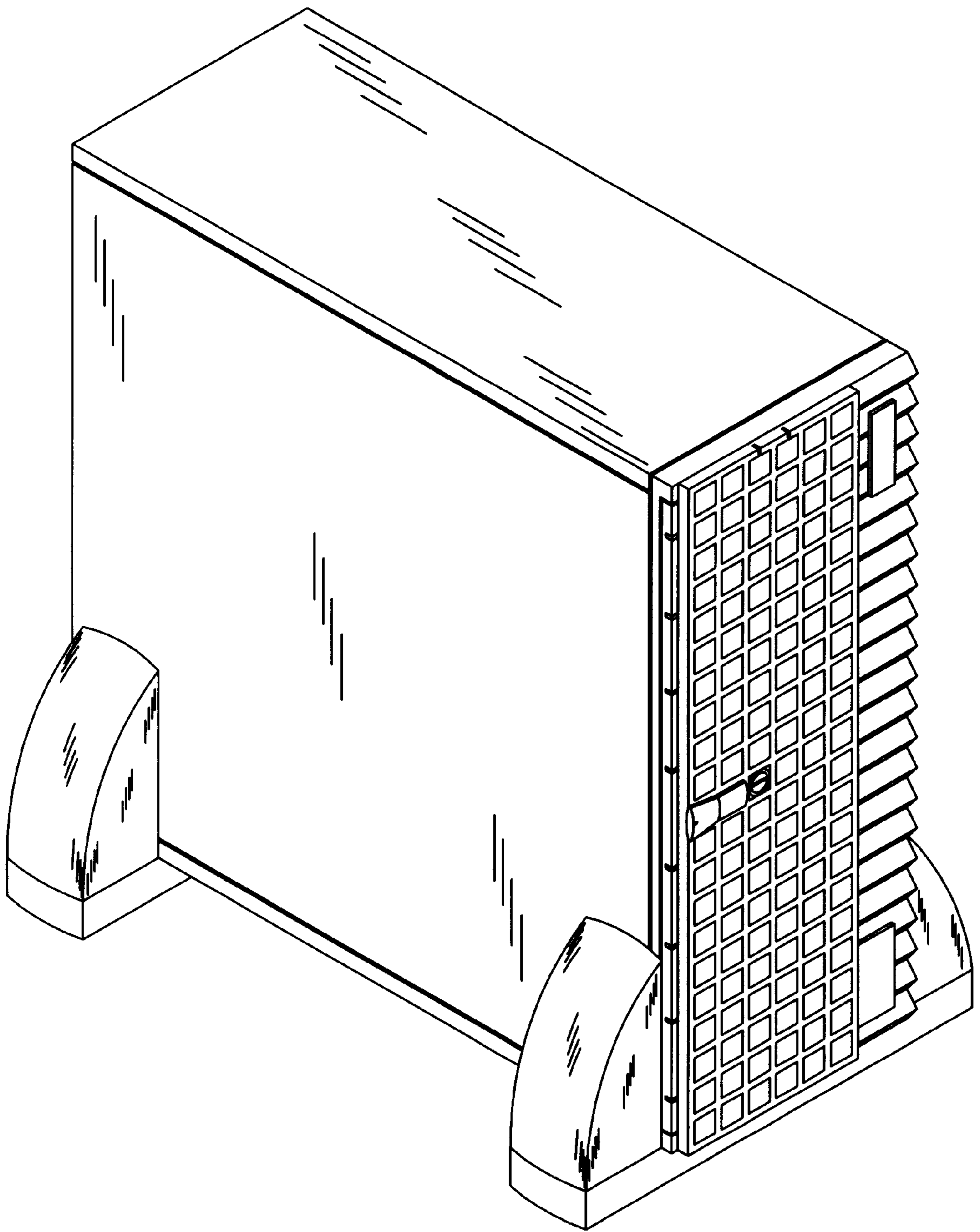


FIG. 1

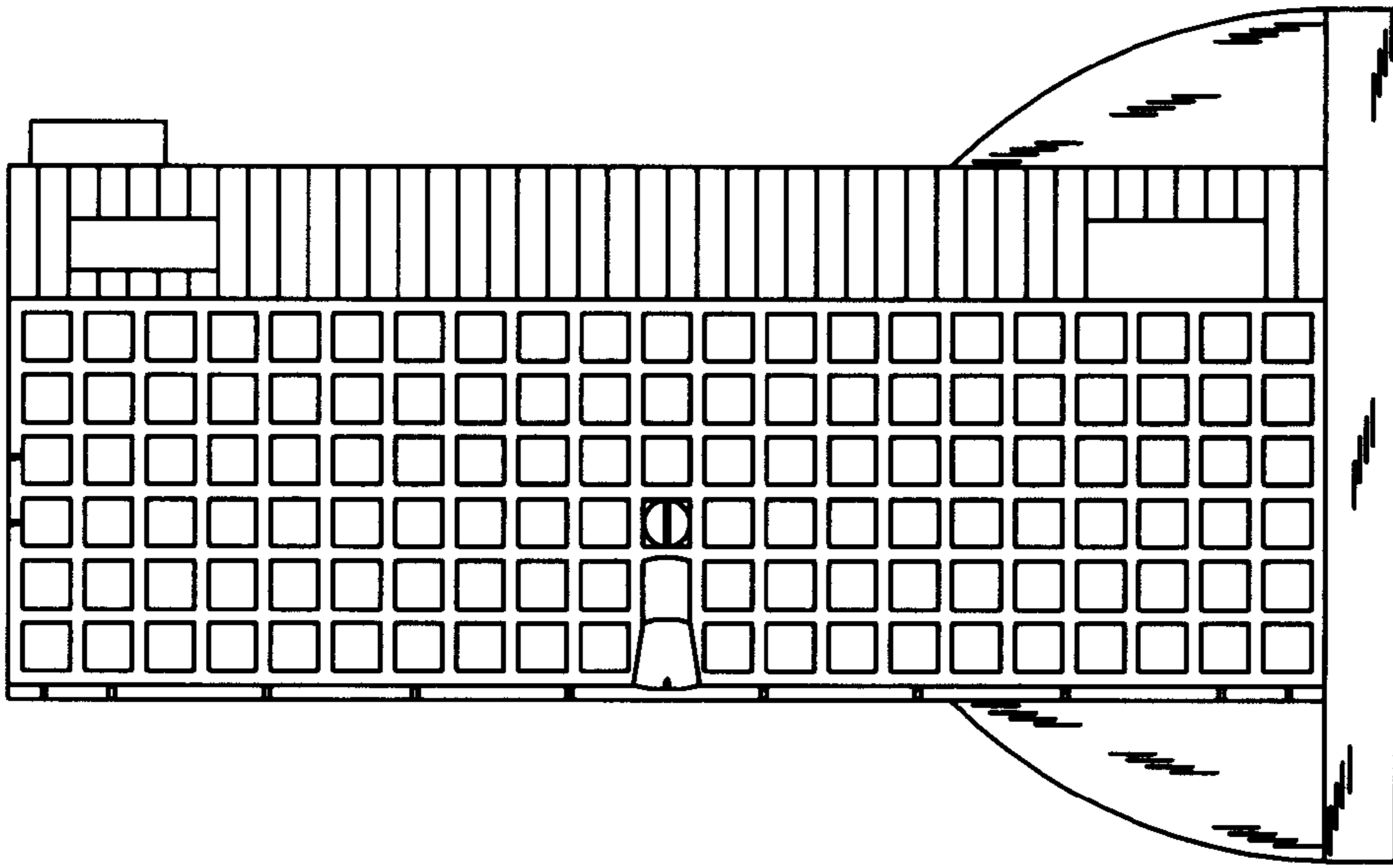


FIG. 3

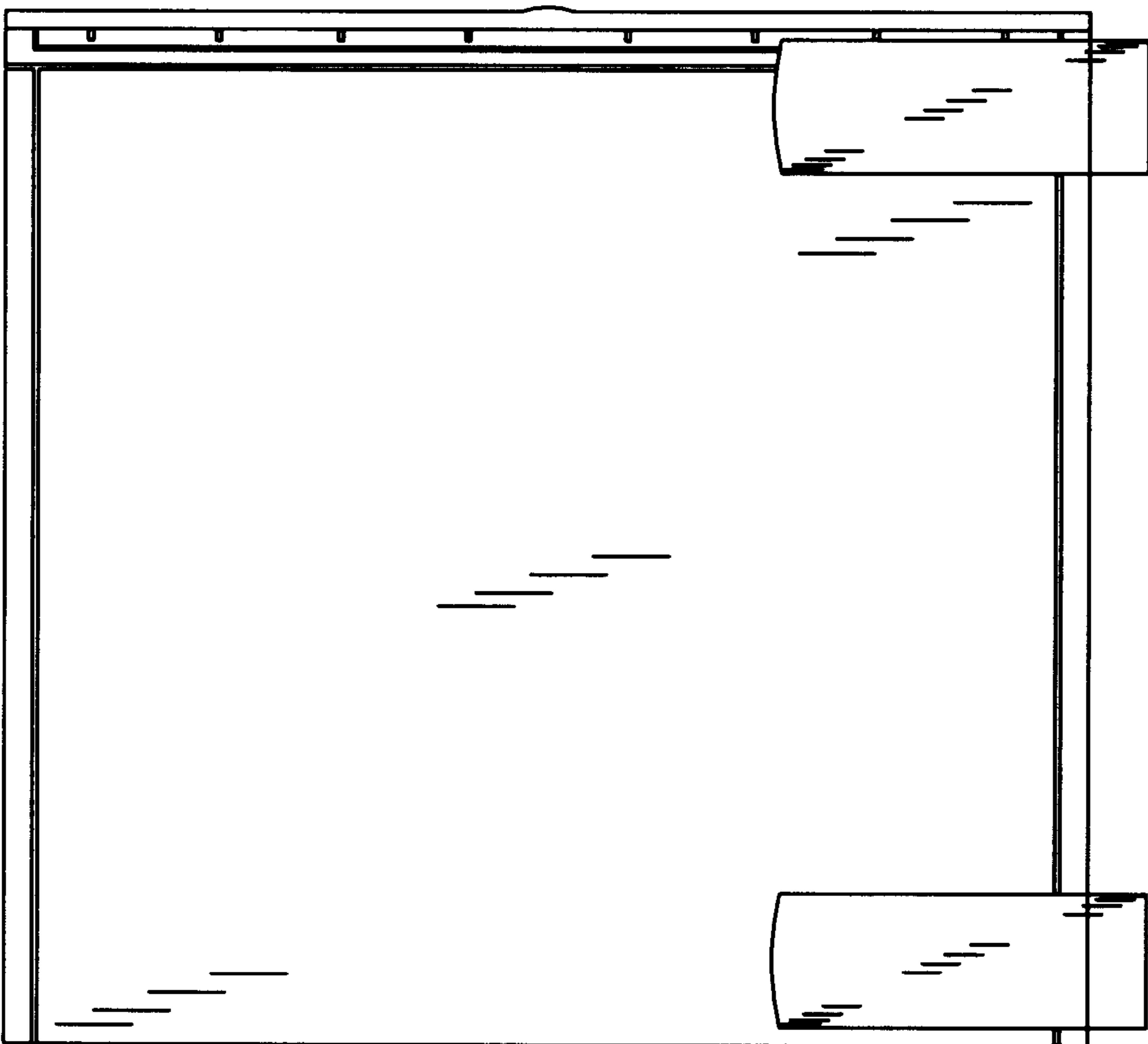


FIG. 2

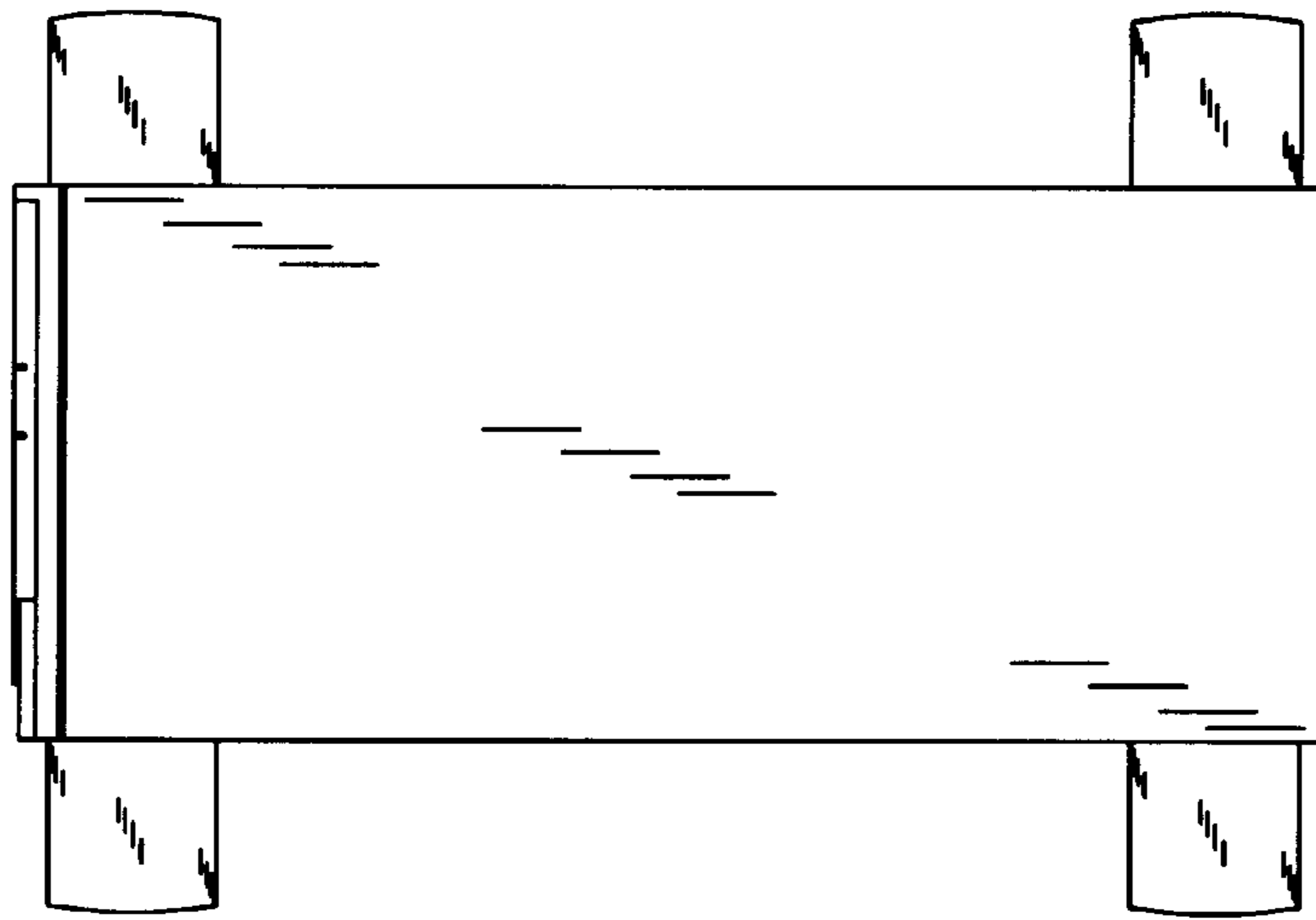


FIG. 4

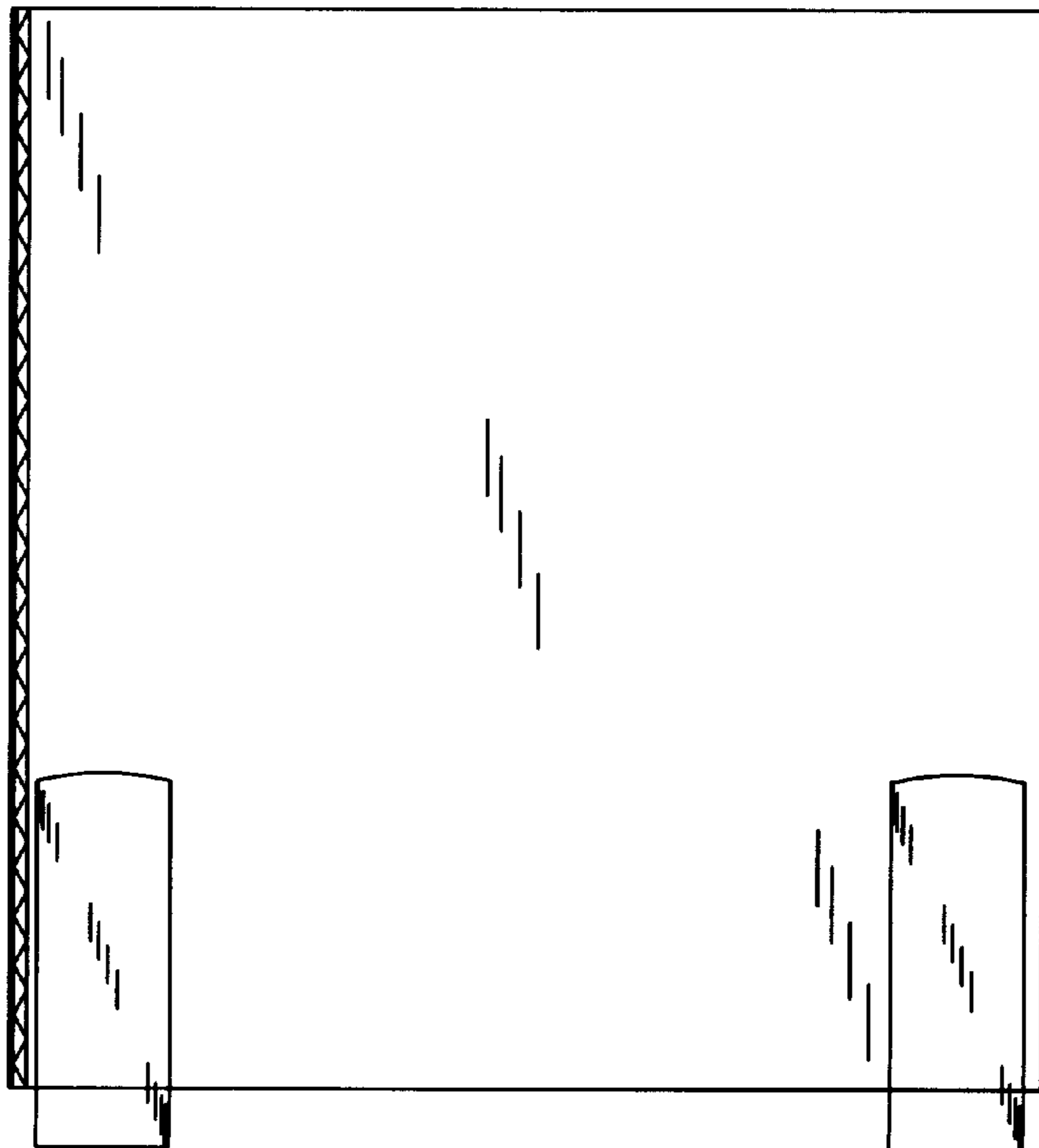


FIG. 5