



US00D431821S

United States Patent [19]
Mizuno

[11] **Patent Number: Des. 431,821**
[45] **Date of Patent: ** Oct. 10, 2000**

[54] **ELECTRONIC COMPUTER**

[75] Inventor: **Satoshi Mizuno**, Nara-ken, Japan

[73] Assignee: **Sharp Kabushiki Kaisha**, Osaka, Japan

[**] Term: **14 Years**

[21] Appl. No.: **29/114,798**

[22] Filed: **Dec. 1, 1999**

[51] **LOC (7) Cl.** **14-02**

[52] **U.S. Cl.** **D14/318**

[58] **Field of Search** D14/318, 319,
D14/320, 322, 323; D18/1, 2, 7; 235/145 A,
145 R; 345/104, 156, 168, 169; 341/22,
23; 361/680-686; 364/708.1; 400/486, 489

[56] **References Cited**

U.S. PATENT DOCUMENTS

- D. 330,016 10/1992 Mizusugi et al. .
- D. 334,182 3/1993 Mizusugi et al. .
- D. 335,124 4/1993 Mizusugi et al. .
- D. 338,880 8/1993 Mizusugi et al. .
- D. 339,114 9/1993 Mizusugi et al. .
- D. 340,920 11/1993 Okuda et al. .
- D. 340,921 11/1993 Mizusugi et al. .
- D. 343,167 1/1994 Mizusugi et al. .
- D. 344,496 2/1994 Mizusugi et al. .
- D. 357,674 4/1995 Mizusugi .

- D. 384,043 9/1997 Tamaki .
- D. 385,856 11/1997 Kawa .
- D. 396,703 8/1998 Han D14/318
- D. 398,904 9/1998 Tamaki et al. .
- D. 405,434 2/1999 Mizuno .
- D. 408,798 4/1999 Lee et al. D14/318
- D. 411,181 6/1999 Tamaki et al. .
- D. 413,107 8/1999 Kawa et al. .
- D. 419,535 1/2000 Tanimura .

Primary Examiner—Freda Nunn
Attorney, Agent, or Firm—Nixon & Vanderhye

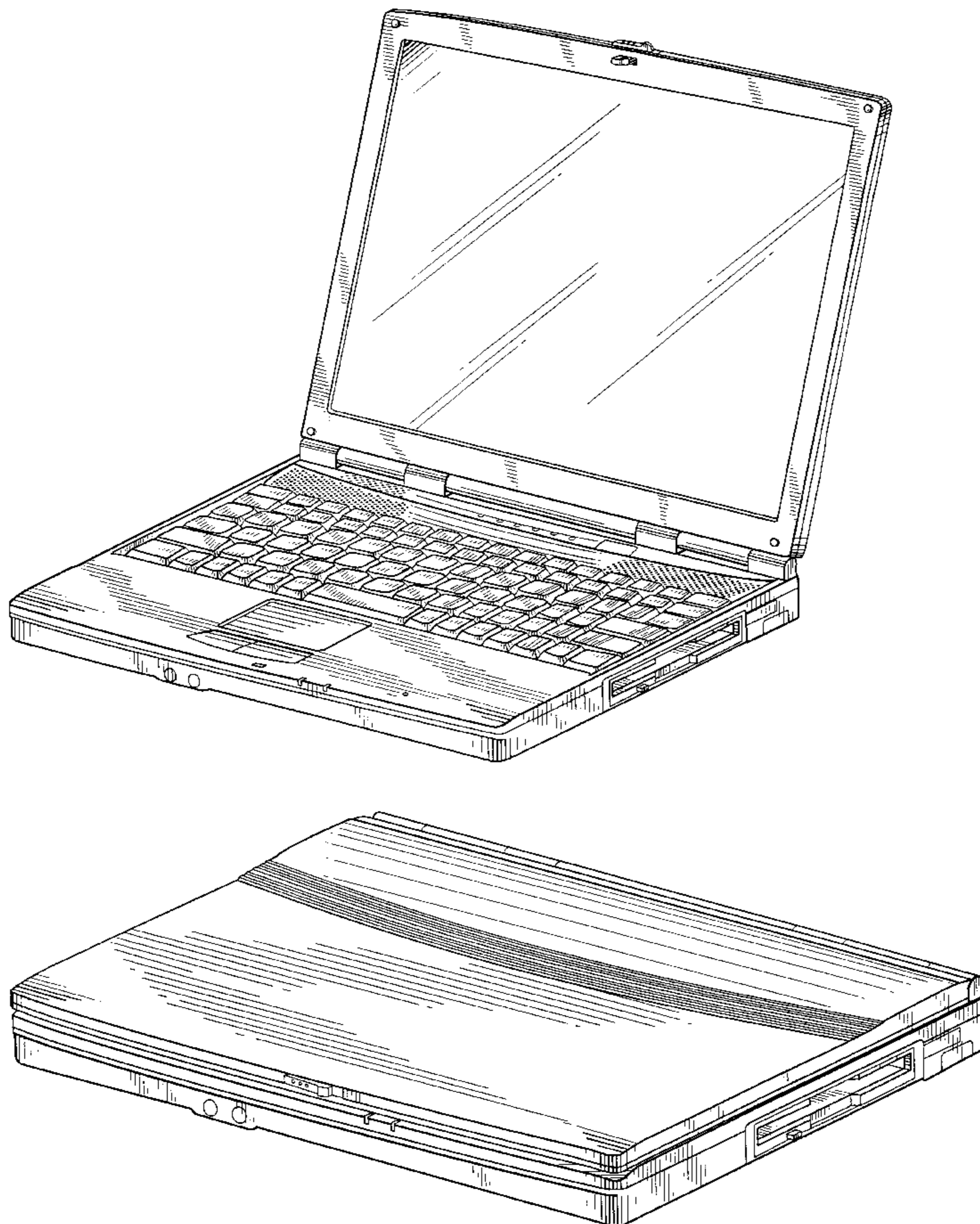
[57] **CLAIM**

The ornamental design for an electronic computer, as shown and described.

DESCRIPTION

FIG. 1 is a top, front and right side perspective view of an electronic computer according to my design;
FIG. 2 is a top plan view thereof;
FIG. 3 is a front elevational view thereof;
FIG. 4 is a rear elevational view thereof;
FIG. 5 is a bottom plan view thereof;
FIG. 6 is a right side elevational view thereof;
FIG. 7 is a left side elevational view thereof; and,
FIG. 8 is a top, front and right side perspective view thereof in a closed position.

1 Claim, 8 Drawing Sheets



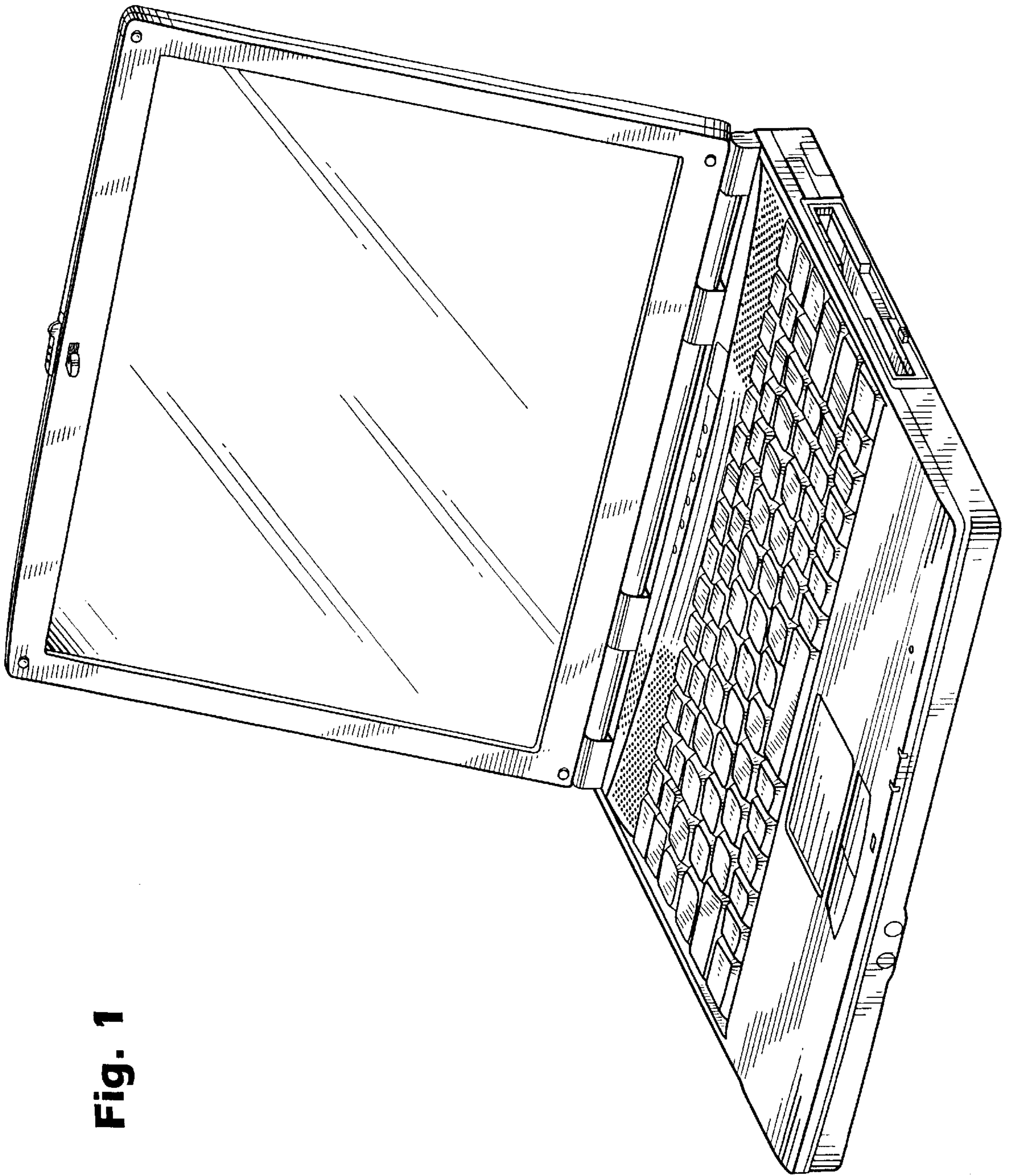


Fig. 1

Fig. 2

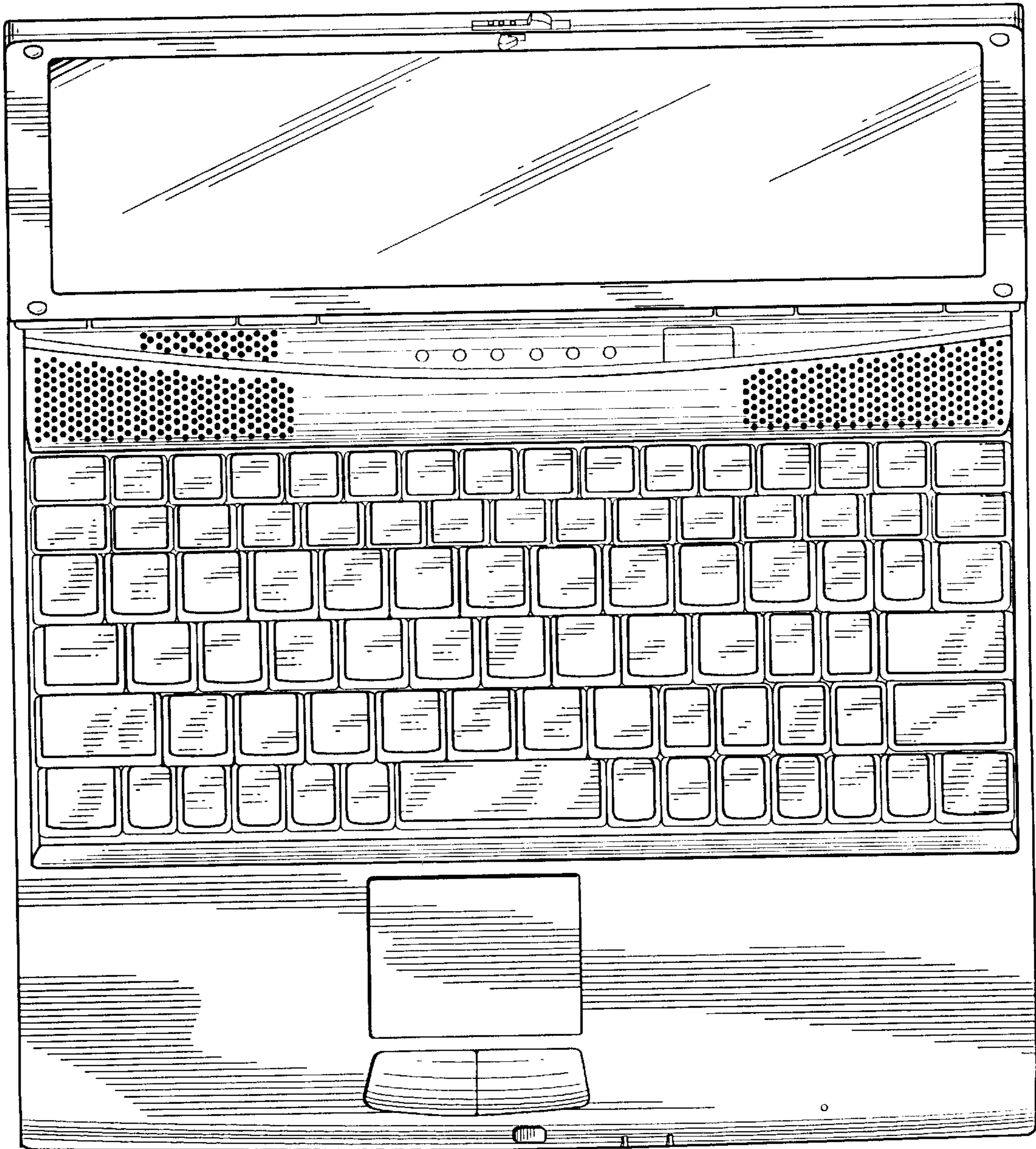


Fig. 3

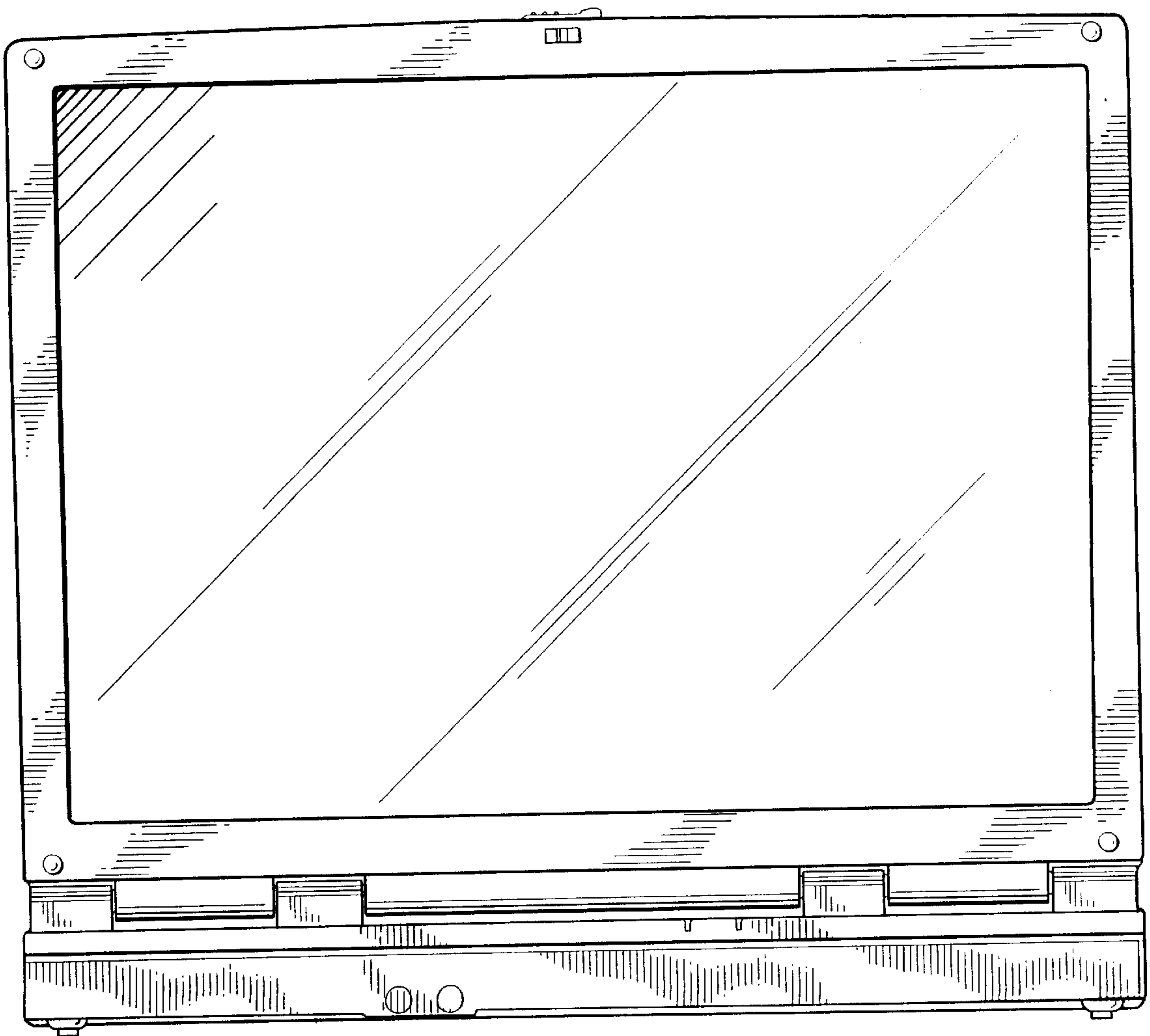
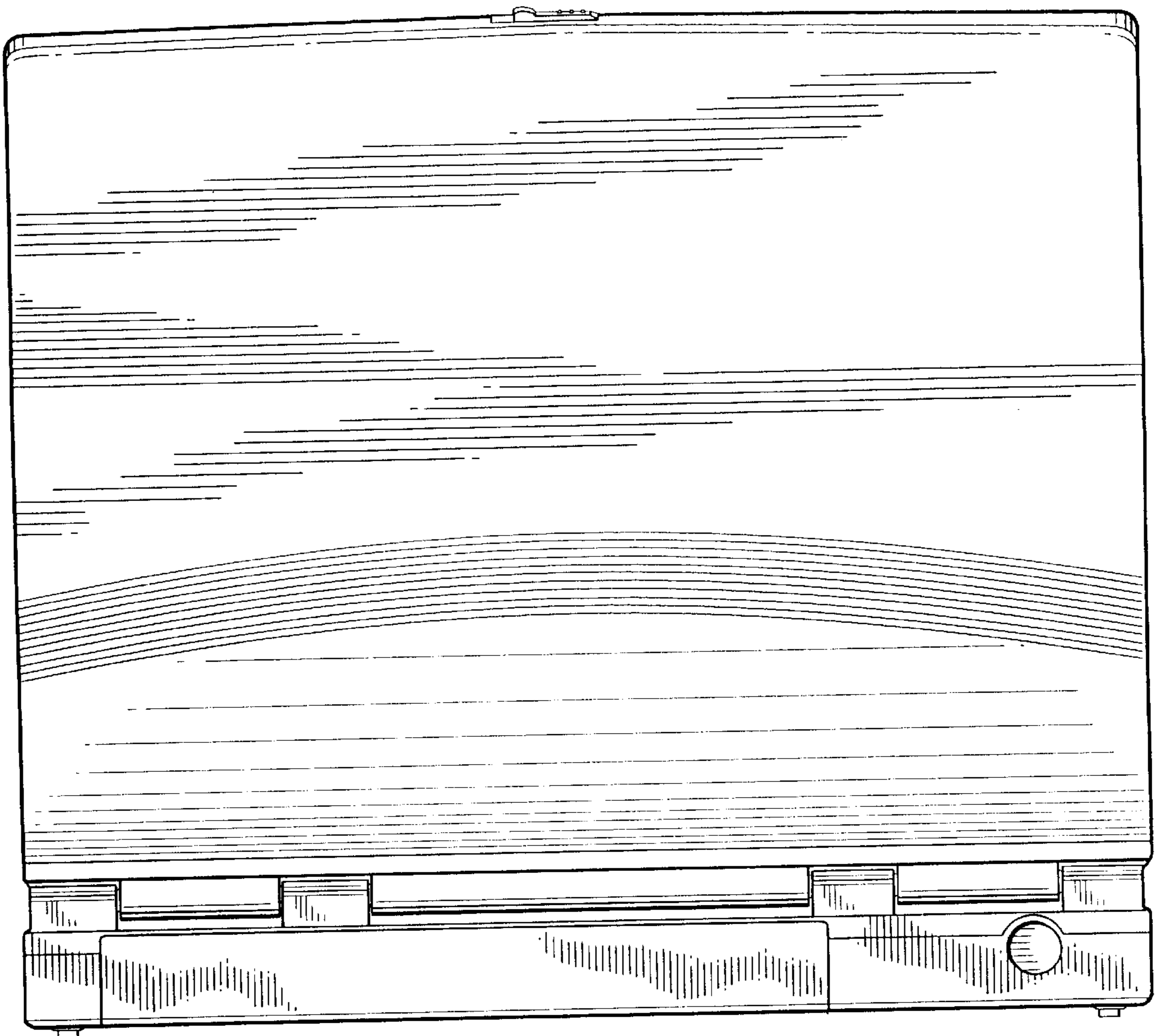


Fig. 4



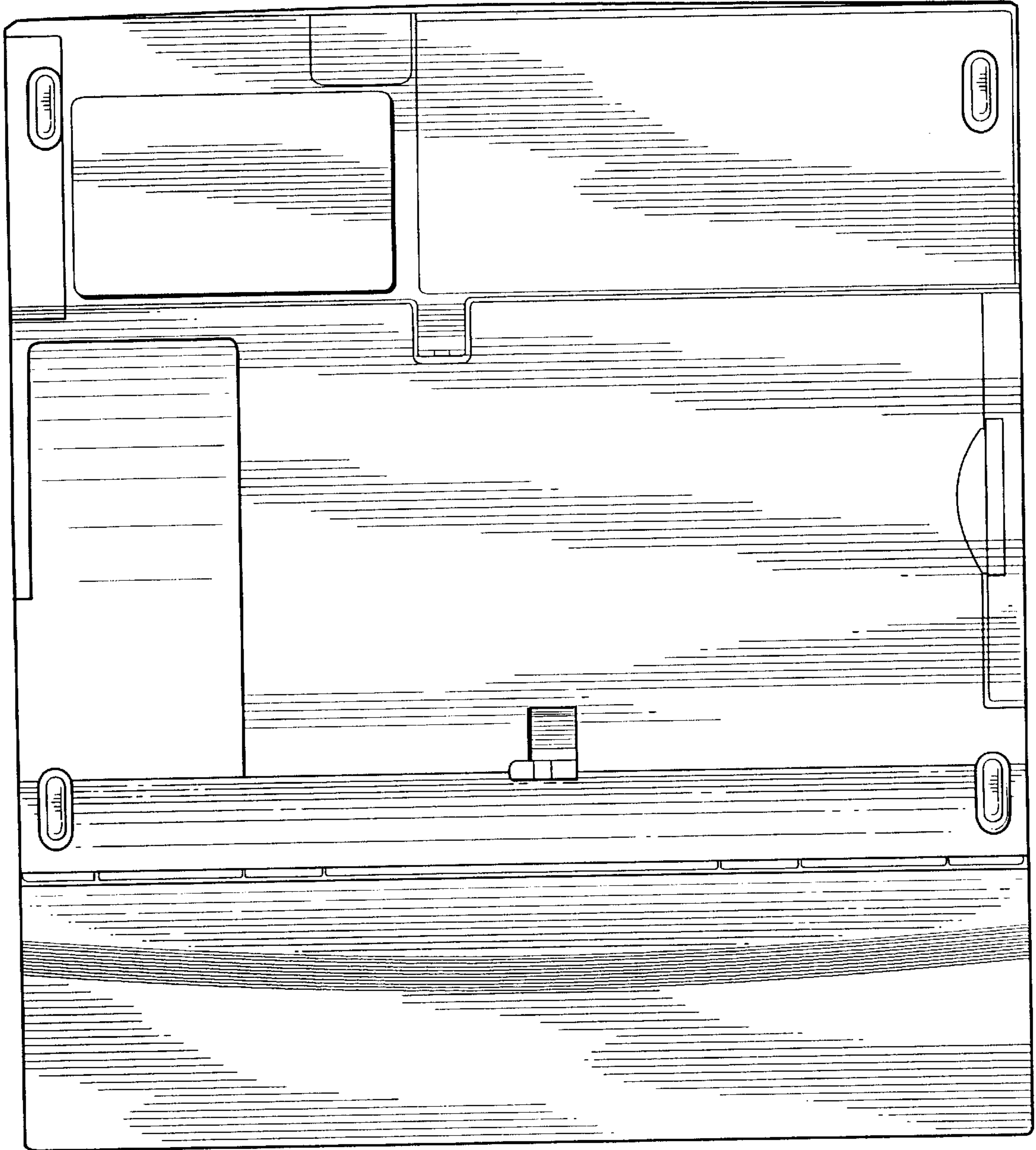


Fig. 5

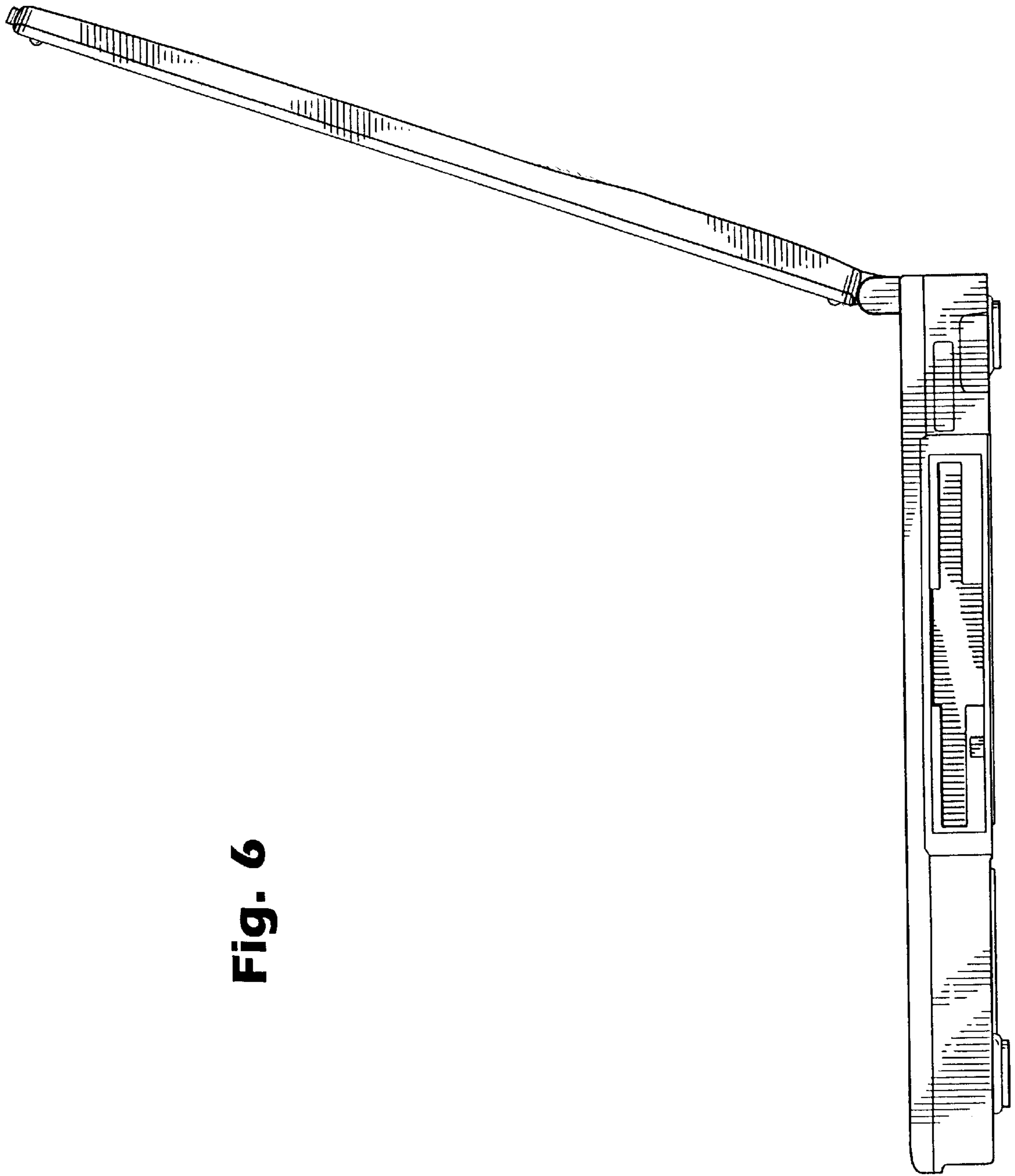


Fig. 6

Fig. 7

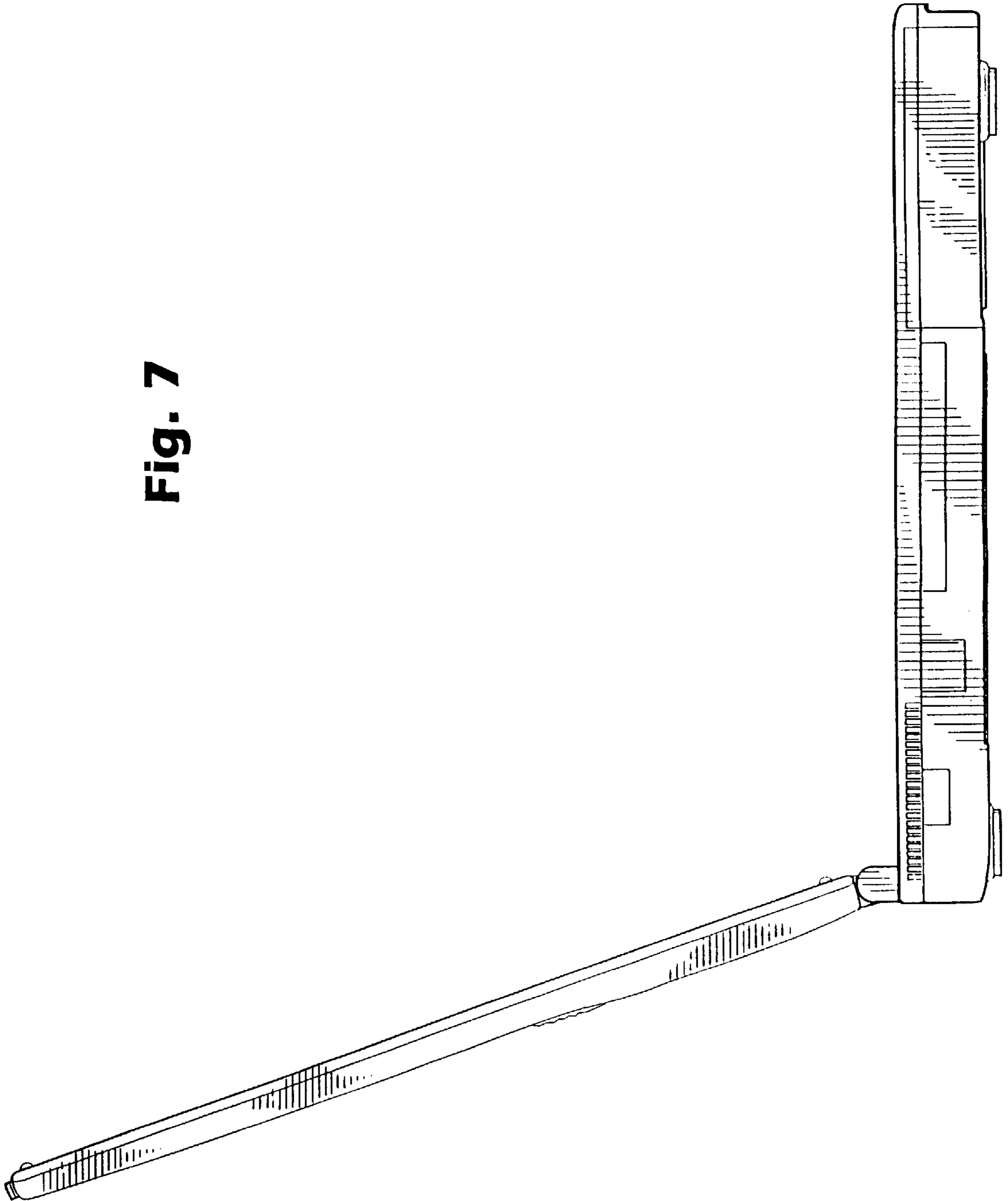


Fig. 8

