



US00D431817S

United States Patent [19]

Yuyama et al.

[11] Patent Number: Des. 431,817

[45] Date of Patent: ** Oct. 10, 2000

[54] MICROPHONE

3,459,902 8/1969 Warning 181/158
4,789,044 12/1988 Akino 181/158

[75] Inventors: Yasuo Yuyama; Hirohisa Tanaka, both of Tokyo, Japan

OTHER PUBLICATIONS

[73] Assignee: Sony Corporation, Japan

Video Review p. 88, Azden's add-on microphones, Sep. 1987.

[**] Term: 14 Years

Catalog; "92"; Sony; Jul. 1999; p. 286.

[21] Appl. No.: 29/114,756

Primary Examiner—Nanda Bondade

Attorney, Agent, or Firm—Rader, Fishman&Grauer

[22] Filed: Dec. 1, 1999

[57] CLAIM

[51] LOC (7) Cl. 14-01

The ornamental design for a microphone, as shown and described.

[52] U.S. Cl. D14/227; D14/228

[58] Field of Search D14/225-229;
181/158, 242; 381/26, 92, 95, 122, 369

DESCRIPTION

[56] References Cited

U.S. PATENT DOCUMENTS

D. 173,367	11/1954	McVay	D14/228
D. 173,915	1/1955	Schell, Jr.	D14/228
D. 200,051	1/1965	Wassmann	D14/228
D. 278,625	4/1985	Mathiasen	D14/228
D. 296,435	6/1988	Kubota	D14/228
D. 366,045	1/1996	Hirschhorn	D14/228

FIG. 1 is a perspective view of a microphone showing our new design;

FIG. 2 is a top plan view thereof;

FIG. 3 is a left side elevational view thereof;

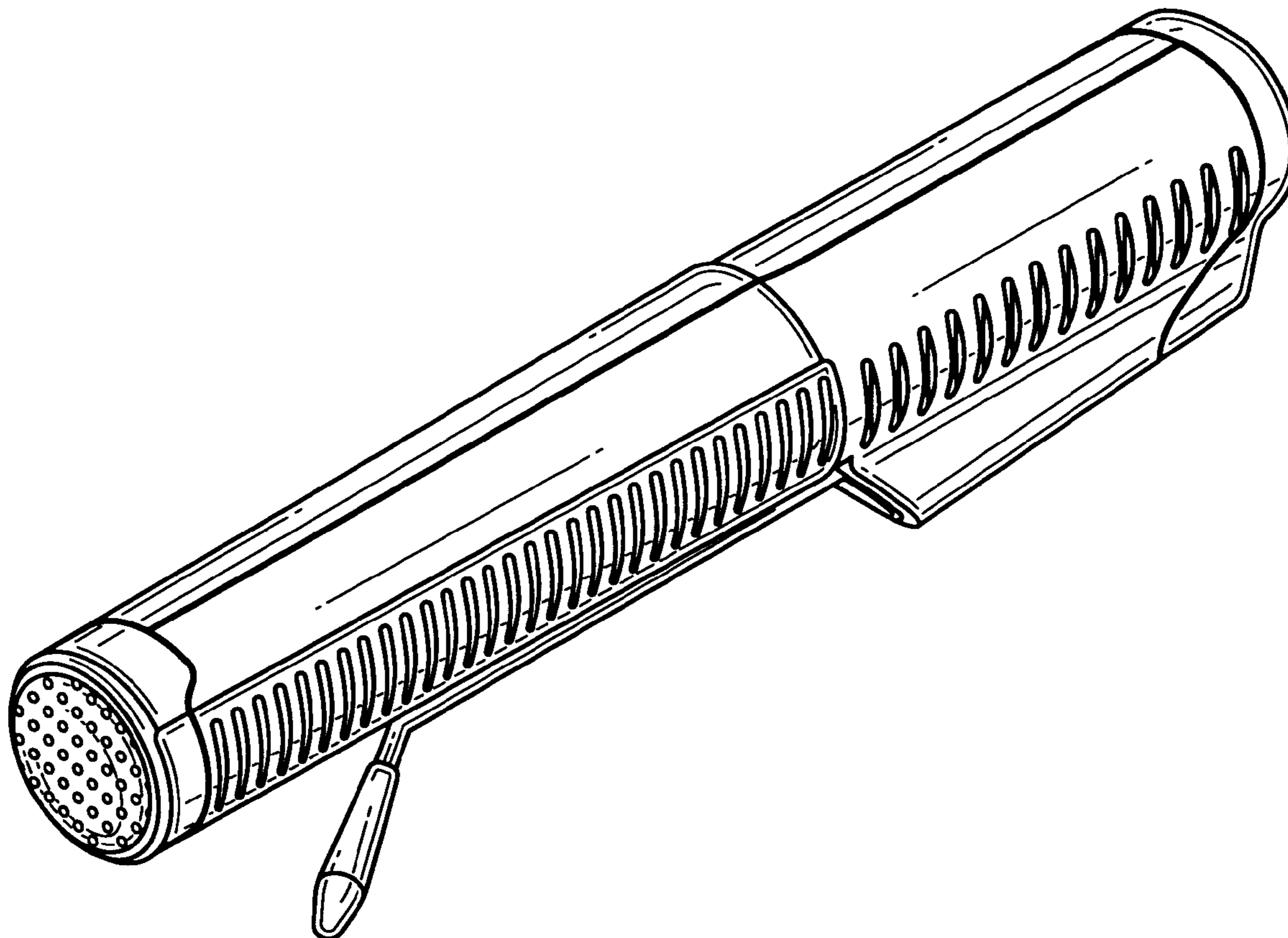
FIG. 4 is a front elevational view thereof;

FIG. 5 is a bottom plan view thereof;

FIG. 6 is a right side elevational view thereof; and,

FIG. 7 is a rear elevational view thereof.

1 Claim, 4 Drawing Sheets



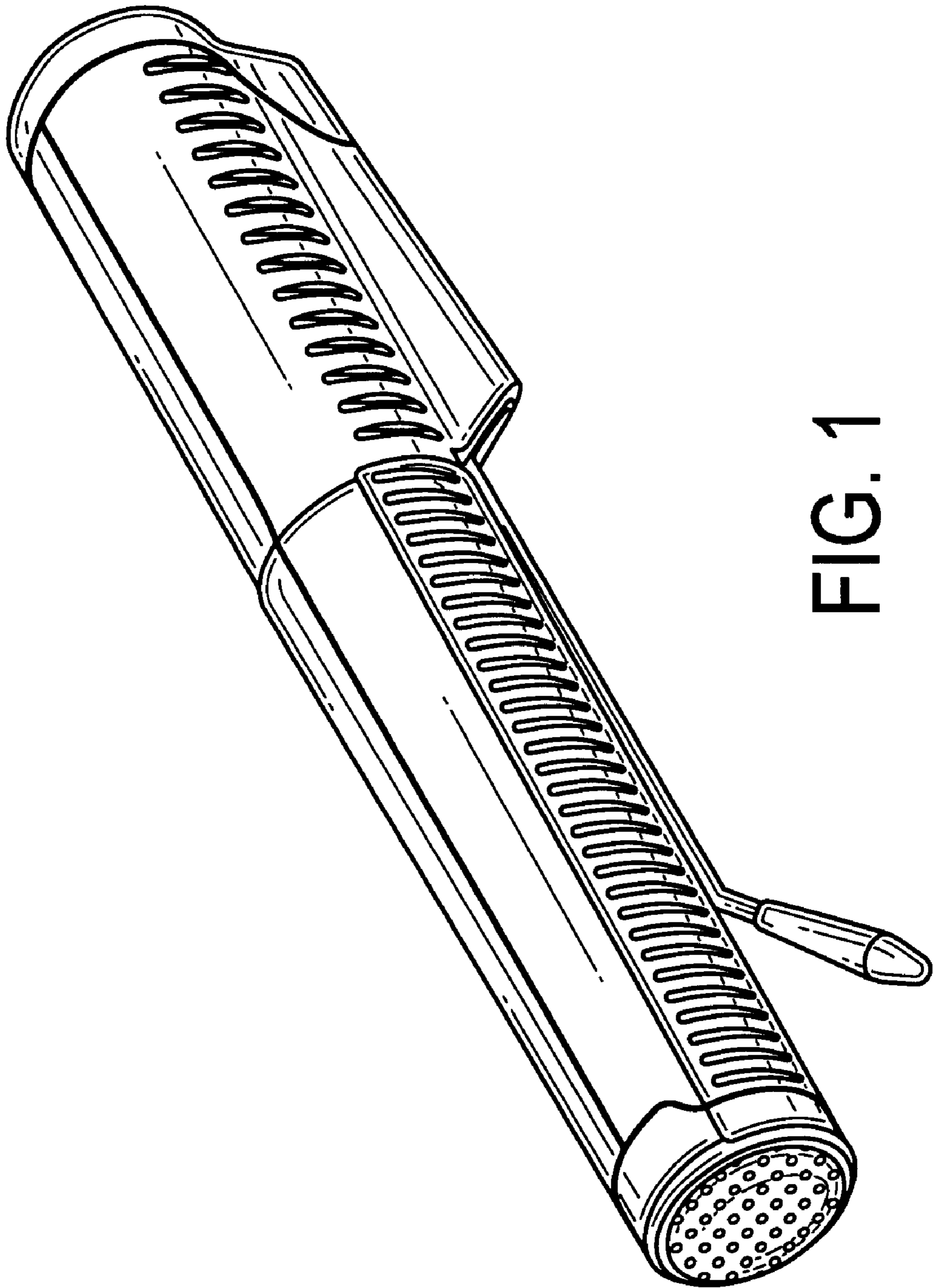


FIG. 1

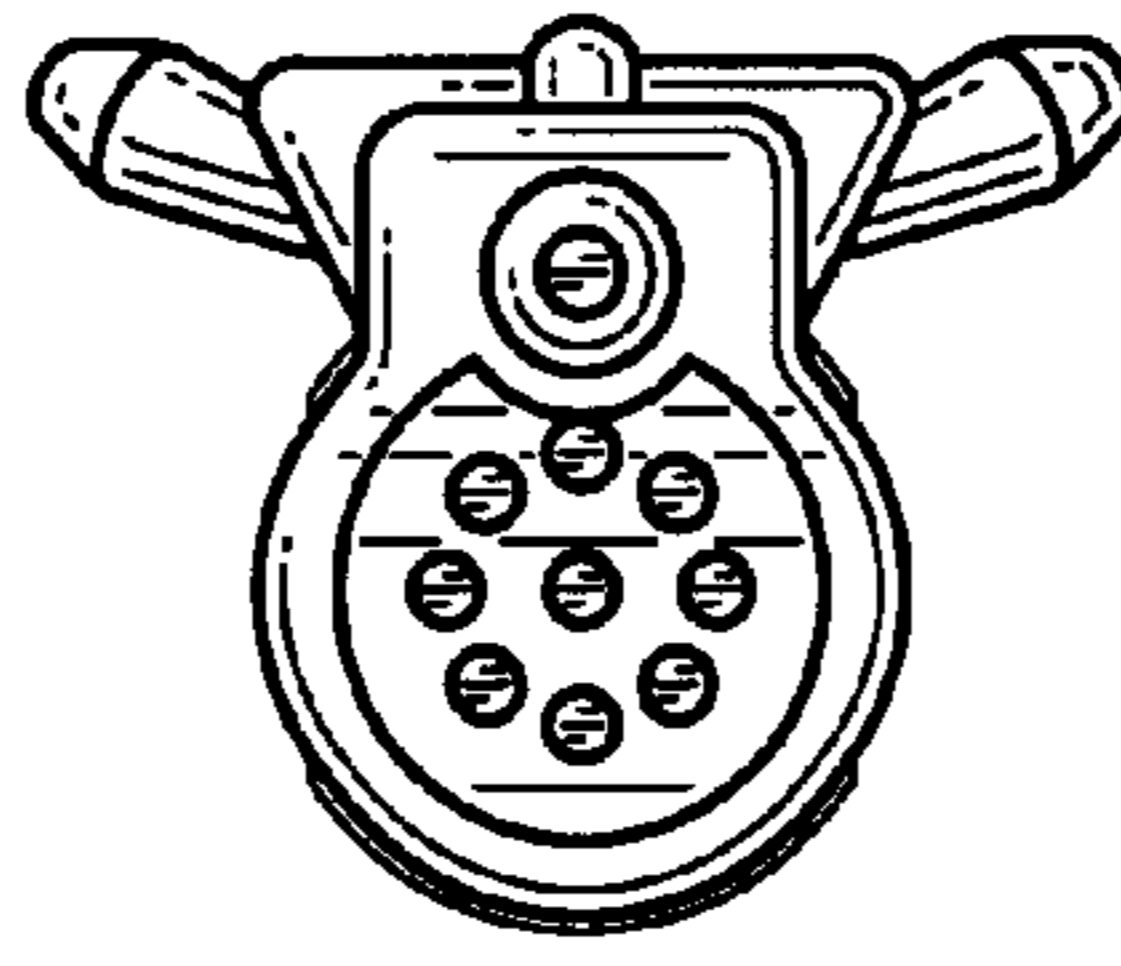


FIG. 2

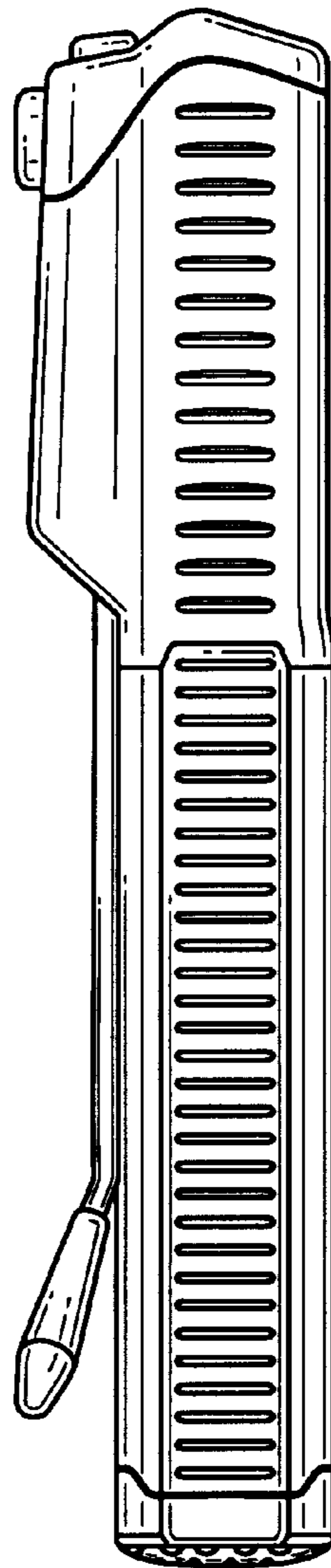


FIG. 3

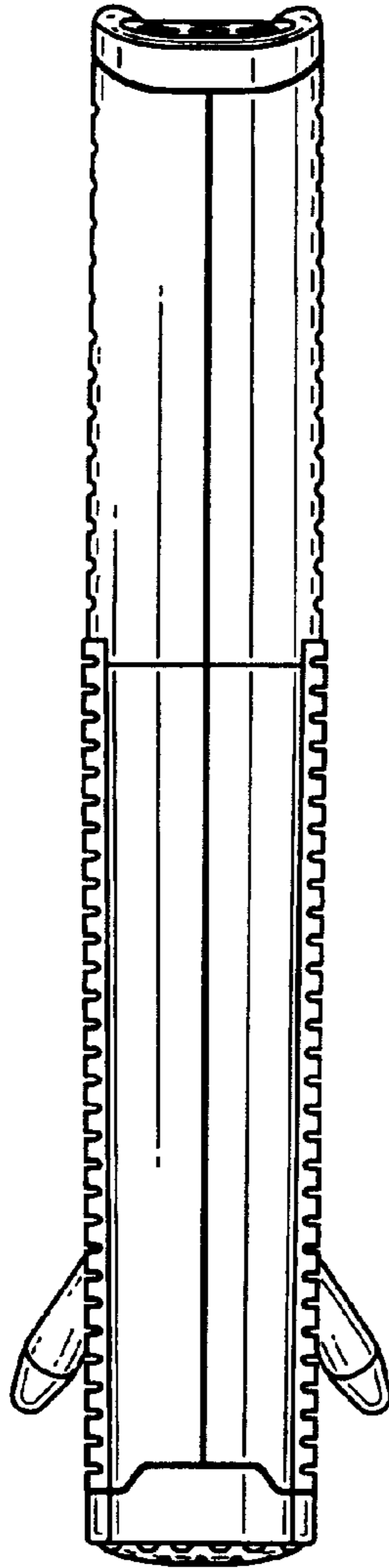


FIG. 4

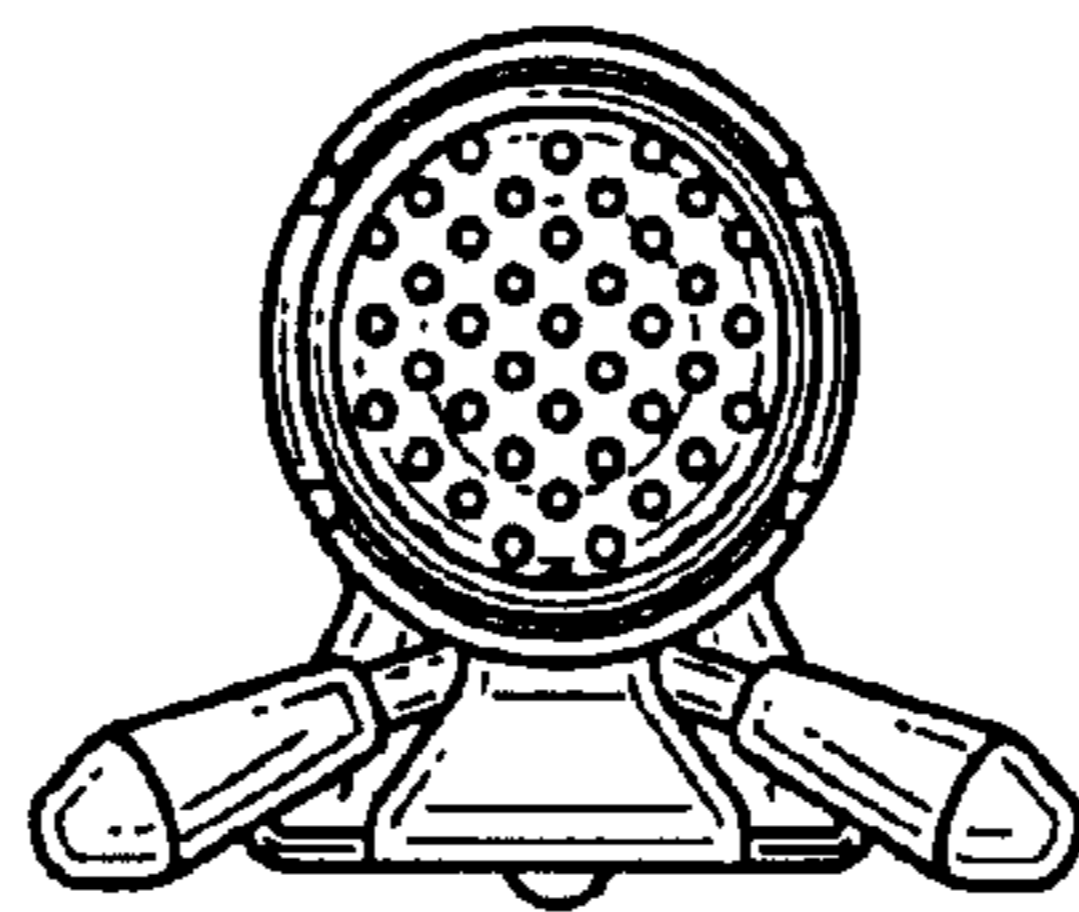


FIG. 5

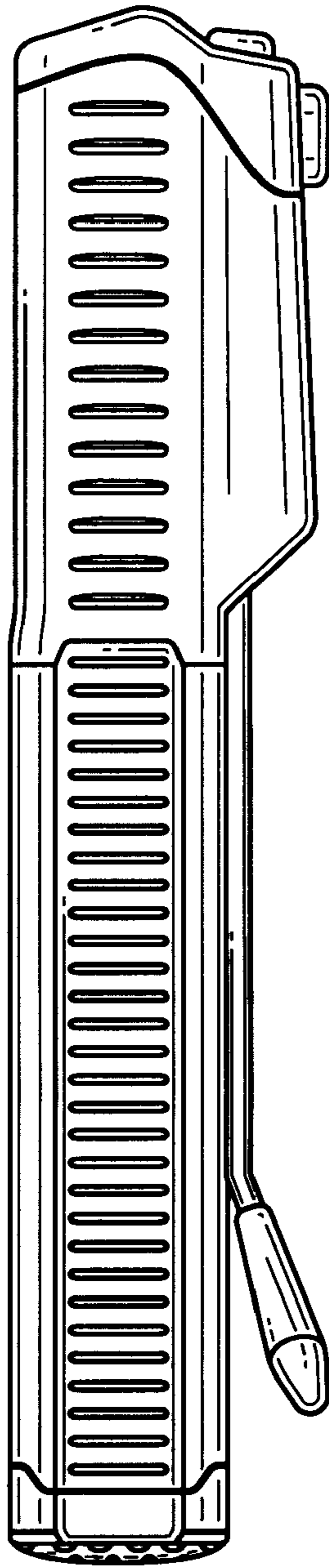


FIG. 6

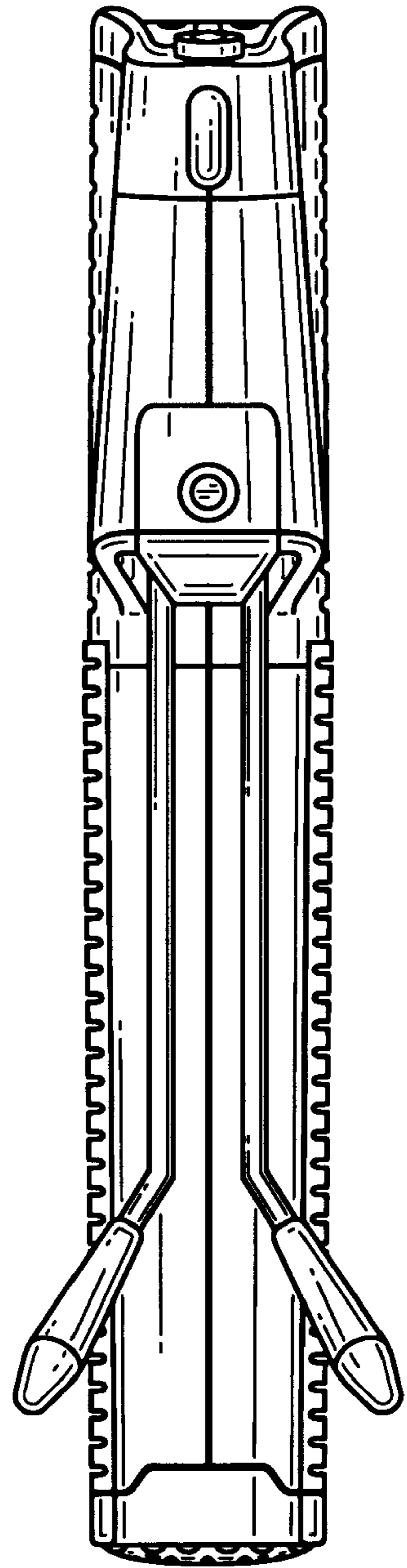


FIG. 7