



US00D431815S

United States Patent [19] Masui

[11] Patent Number: **Des. 431,815**

[45] Date of Patent: **** Oct. 10, 2000**

[54] **DISC PLAYER**

[75] Inventor: **Kirio Masui**, Tokyo, Japan

[73] Assignee: **Sony Corporation**, Japan

[**] Term: **14 Years**

[21] Appl. No.: **29/115,466**

[22] Filed: **Dec. 16, 1999**

[51] **LOC (7) Cl.** **14-01**

[52] **U.S. Cl.** **D14/156; D14/214**

[58] **Field of Search** D14/135, 136,
D14/156, 157, 160-162, 204, 210-214;
369/75.1, 75.2, 77.1, 77.2; 181/144, 145,
147, 148, 157, 198-199

[56] **References Cited**

U.S. PATENT DOCUMENTS

D. 319,242	8/1991	Furuno	D14/214	X
D. 381,988	8/1997	Ohba	D14/214	
D. 382,270	8/1997	Matsuoka	D14/214	
D. 385,880	11/1997	Oba	D14/168	X
D. 400,530	11/1998	Botden	D14/214	X

OTHER PUBLICATIONS

Sony Catalog 90, pp 144-145 and 147, (1998).

Primary Examiner—Nanda Bondade
Attorney, Agent, or Firm—Rader, Fishman&Grauer

[57] **CLAIM**

The ornamental design for a disc player, as shown and described.

DESCRIPTION

FIG. 1 is a perspective view of a disc player showing my new design;

FIG. 2 is a top plan view thereof;

FIG. 3 is a bottom plan view thereof;

FIG. 4 is a left side elevational view thereof;

FIG. 5 is a right side elevational view thereof;

FIG. 6 is a front elevational view thereof; and

FIG. 7 is a rear elevational view thereof.

FIG. 8 is a perspective view of another embodiment of disc player showing my new design;

FIG. 9 is a top plan view thereof;

FIG. 10 is a bottom plan view thereof;

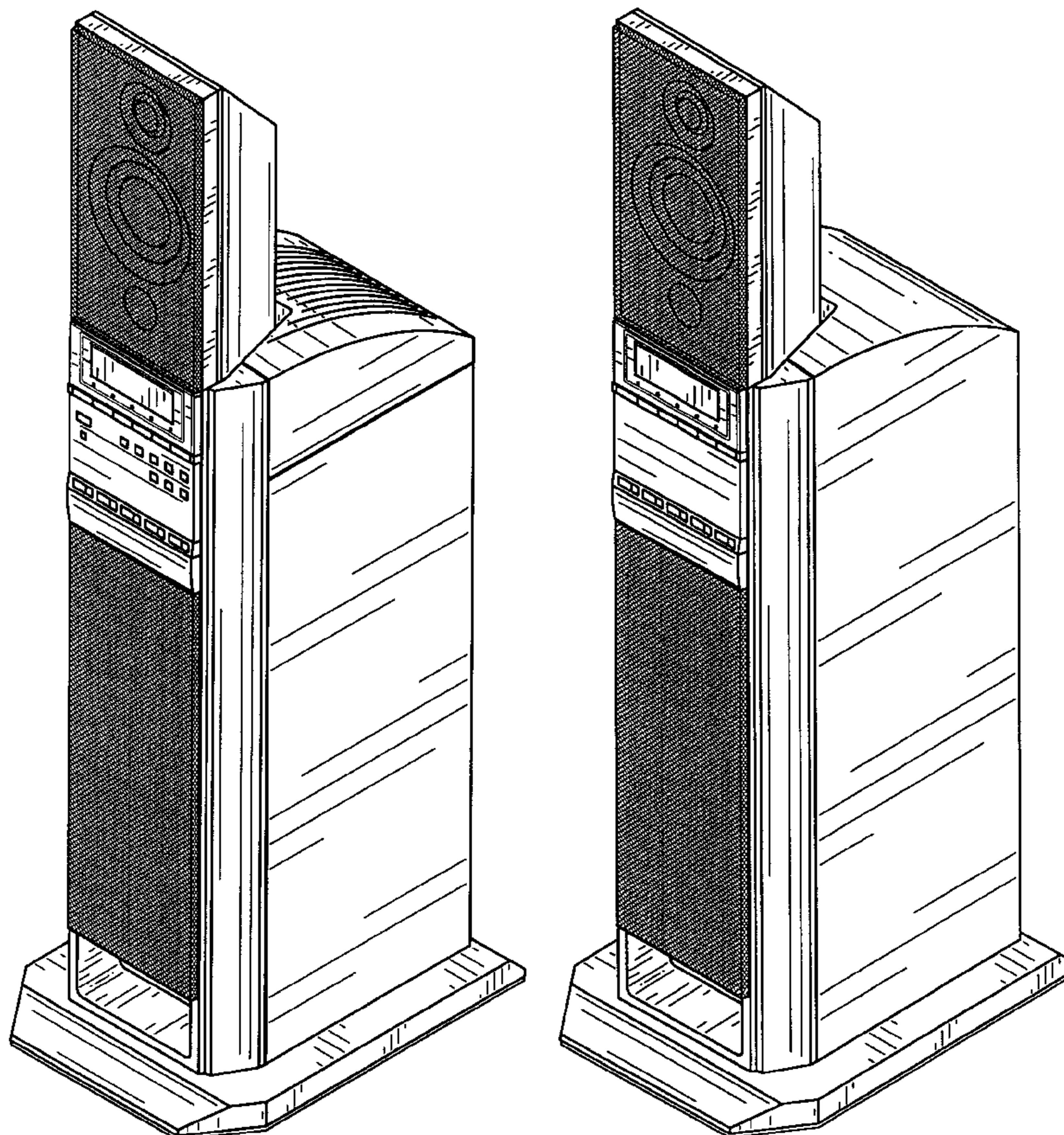
FIG. 11 is a left side elevational view thereof;

FIG. 12 is a right side elevational view thereof;

FIG. 13 is a front elevational view thereof; and,

FIG. 14 is a rear elevational view thereof.

1 Claim, 12 Drawing Sheets



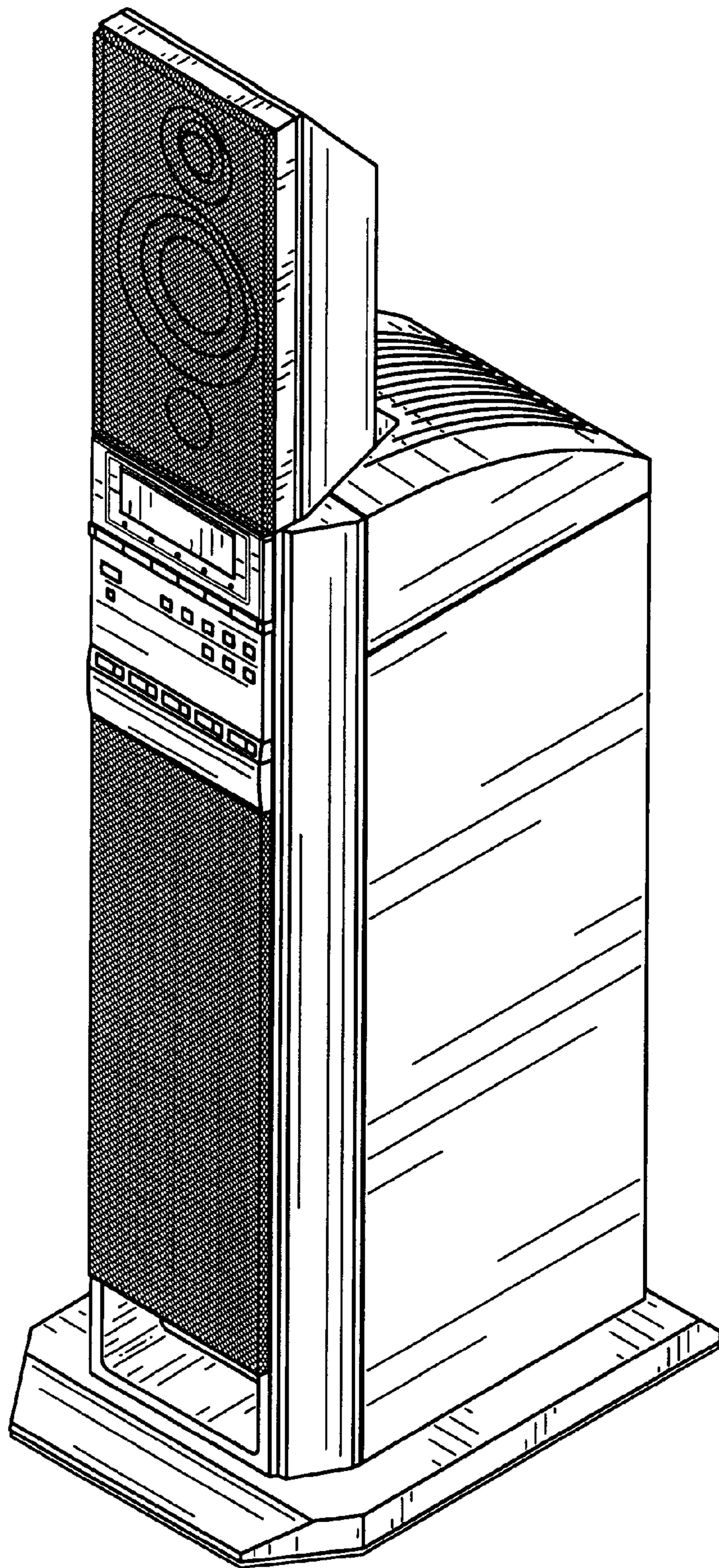


FIG. 1

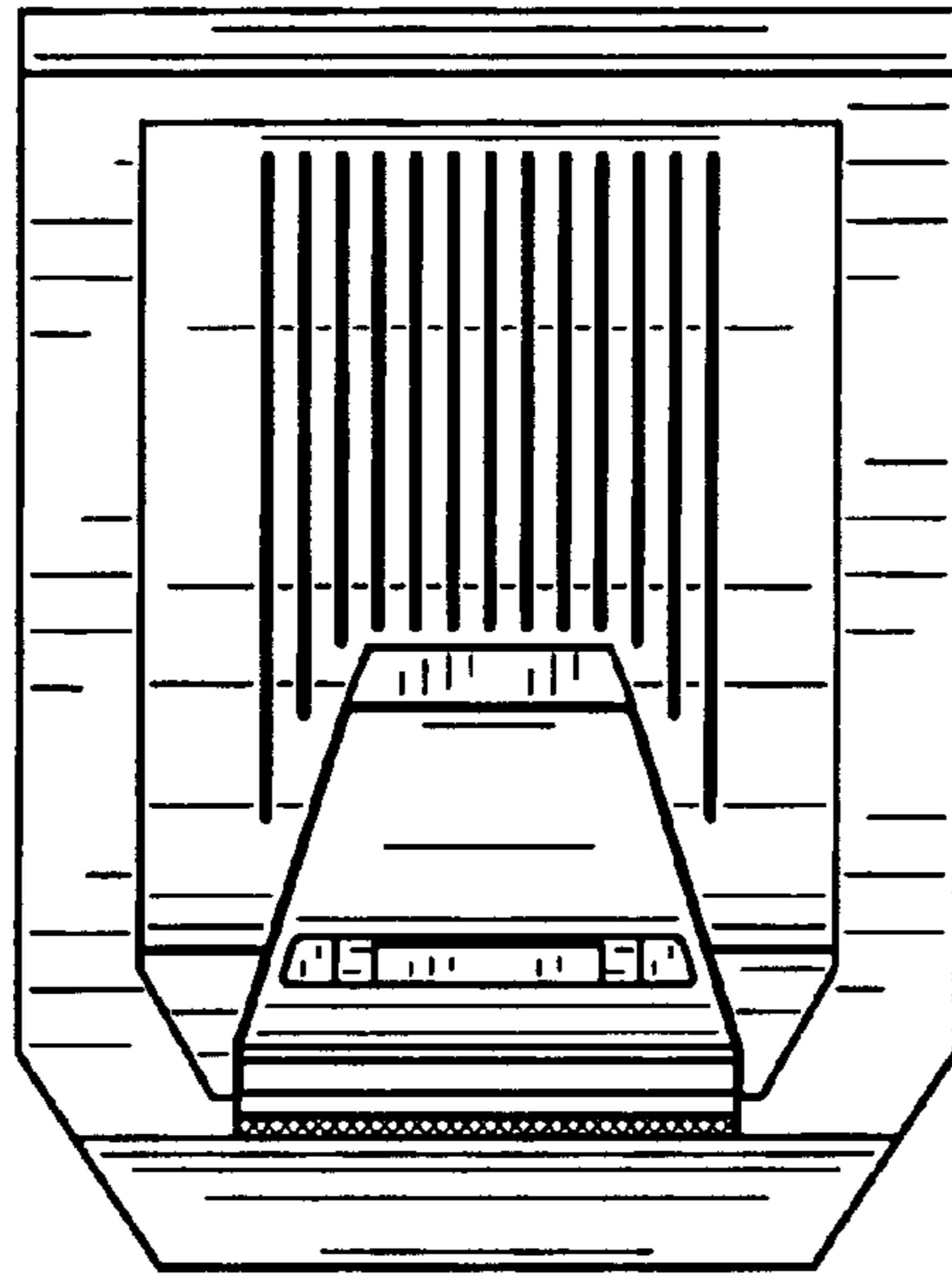


FIG. 2

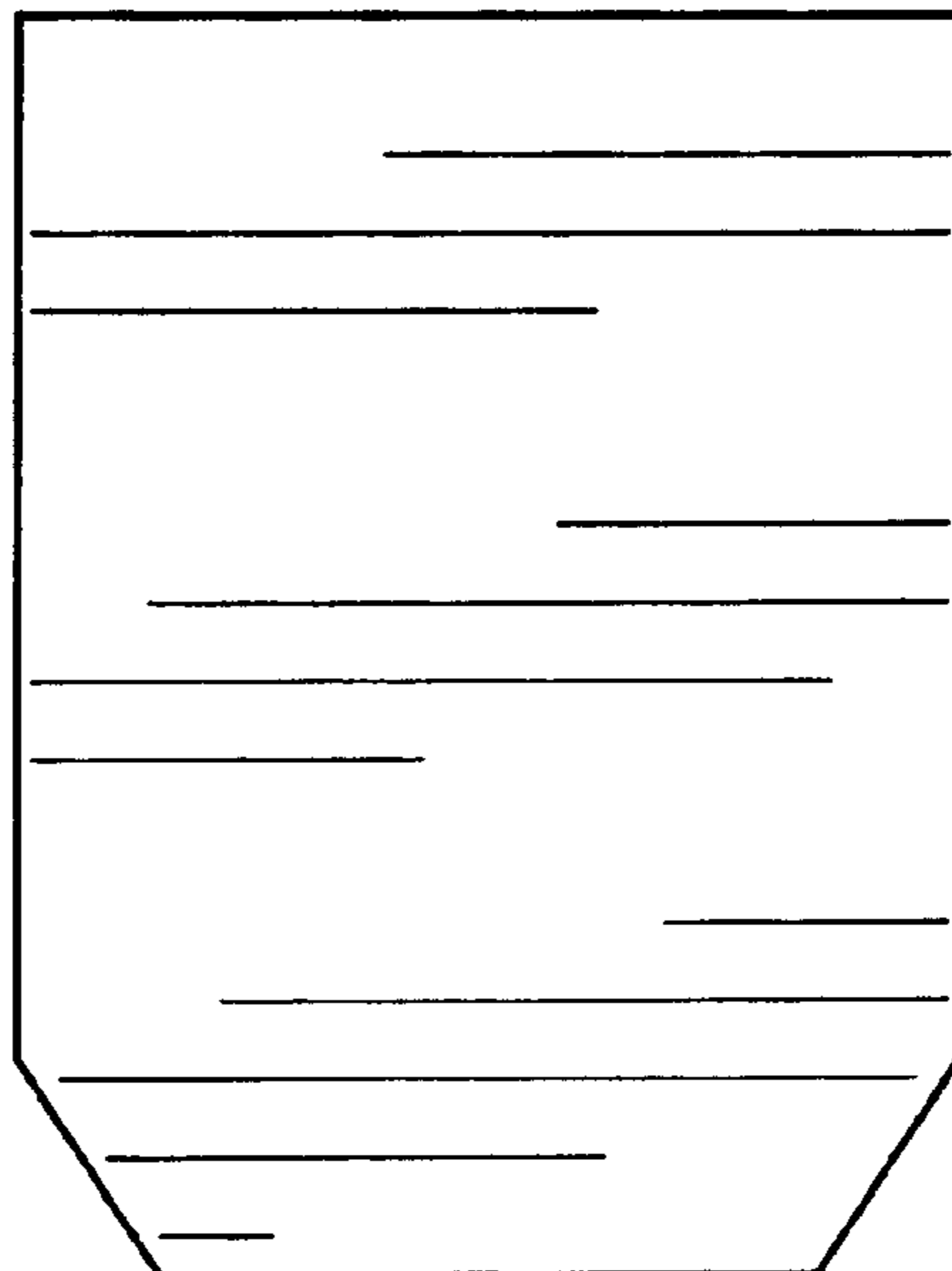


FIG. 3

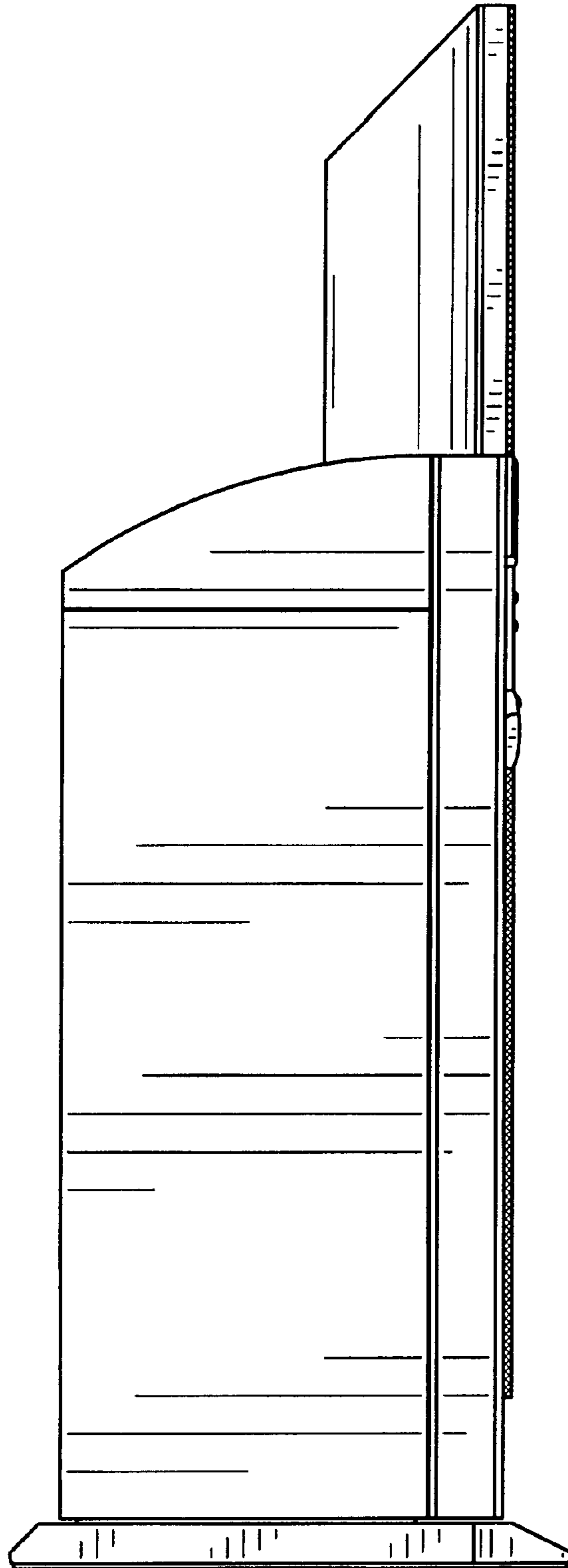


FIG. 4

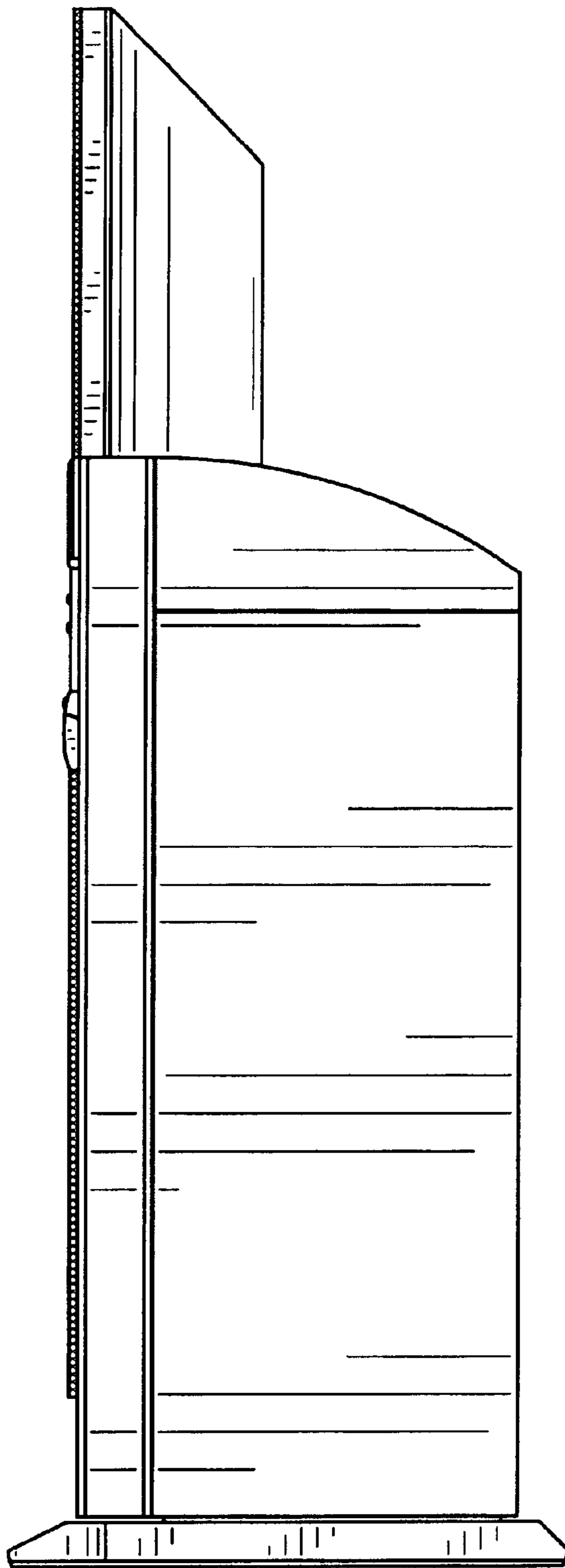


FIG. 5

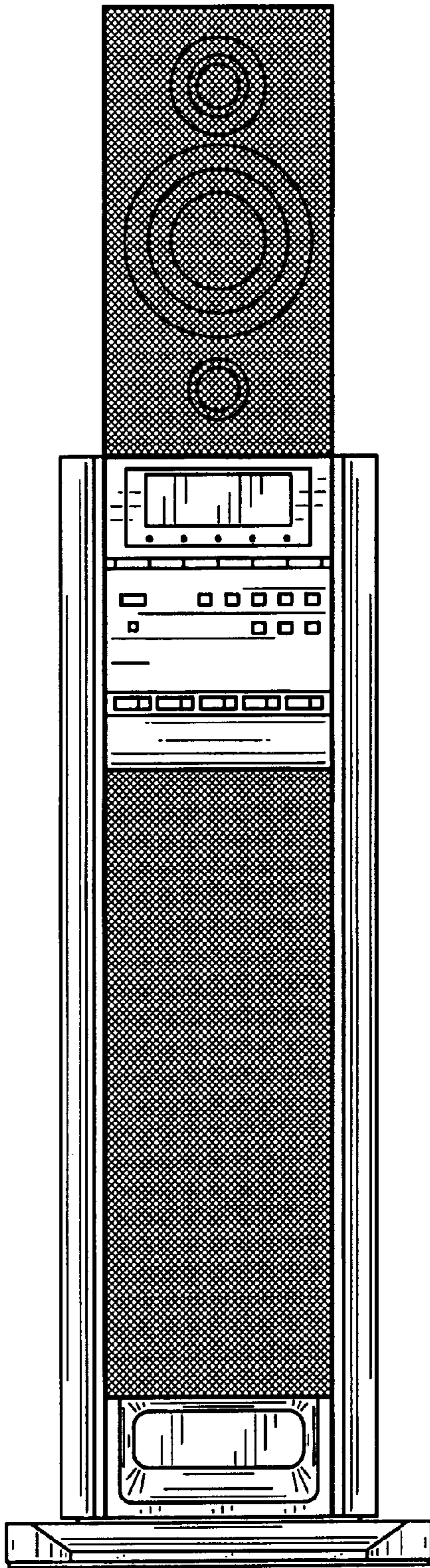


FIG. 6

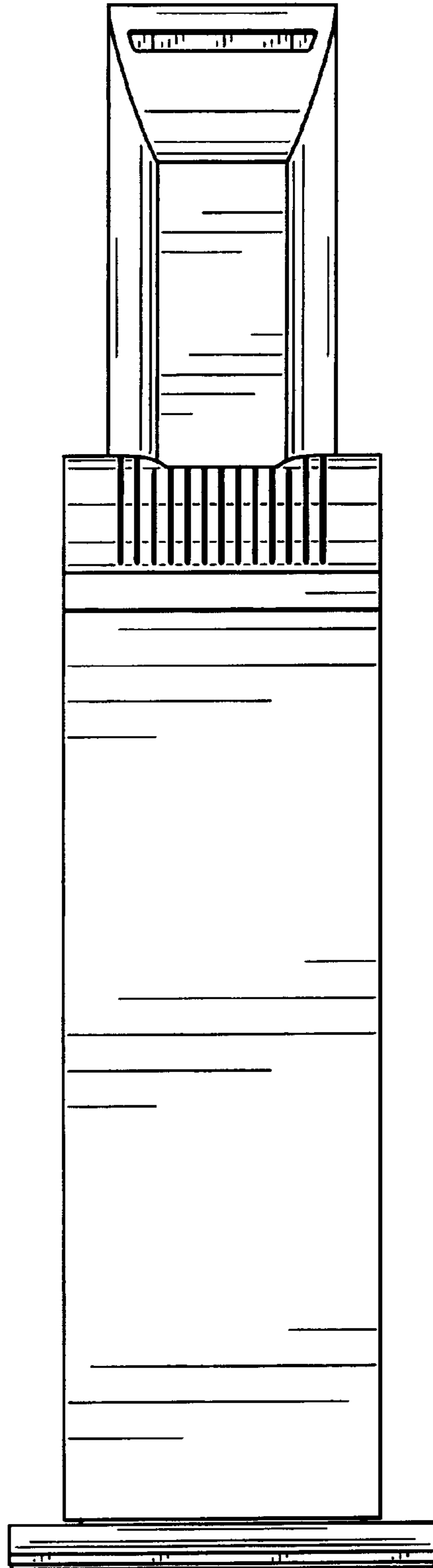


FIG. 7

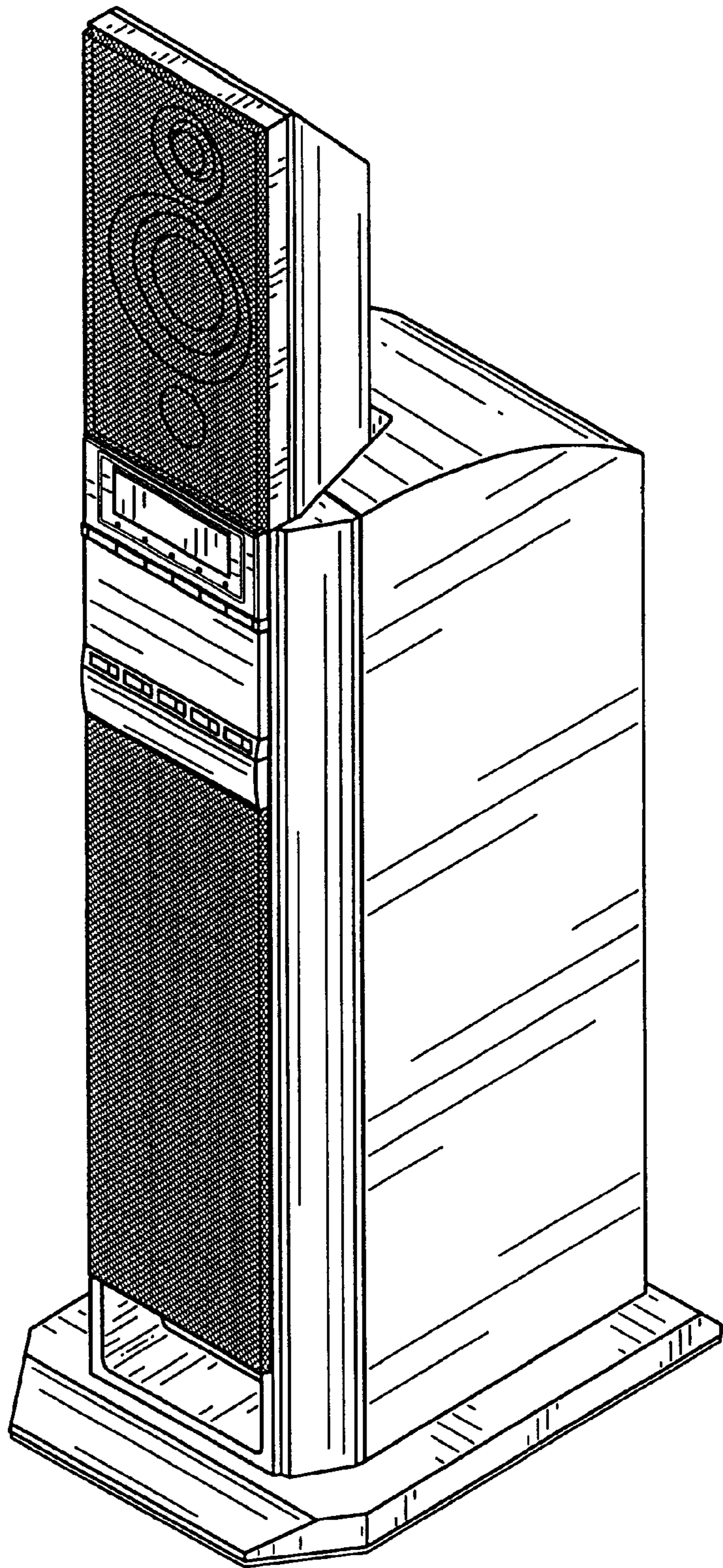


FIG. 8

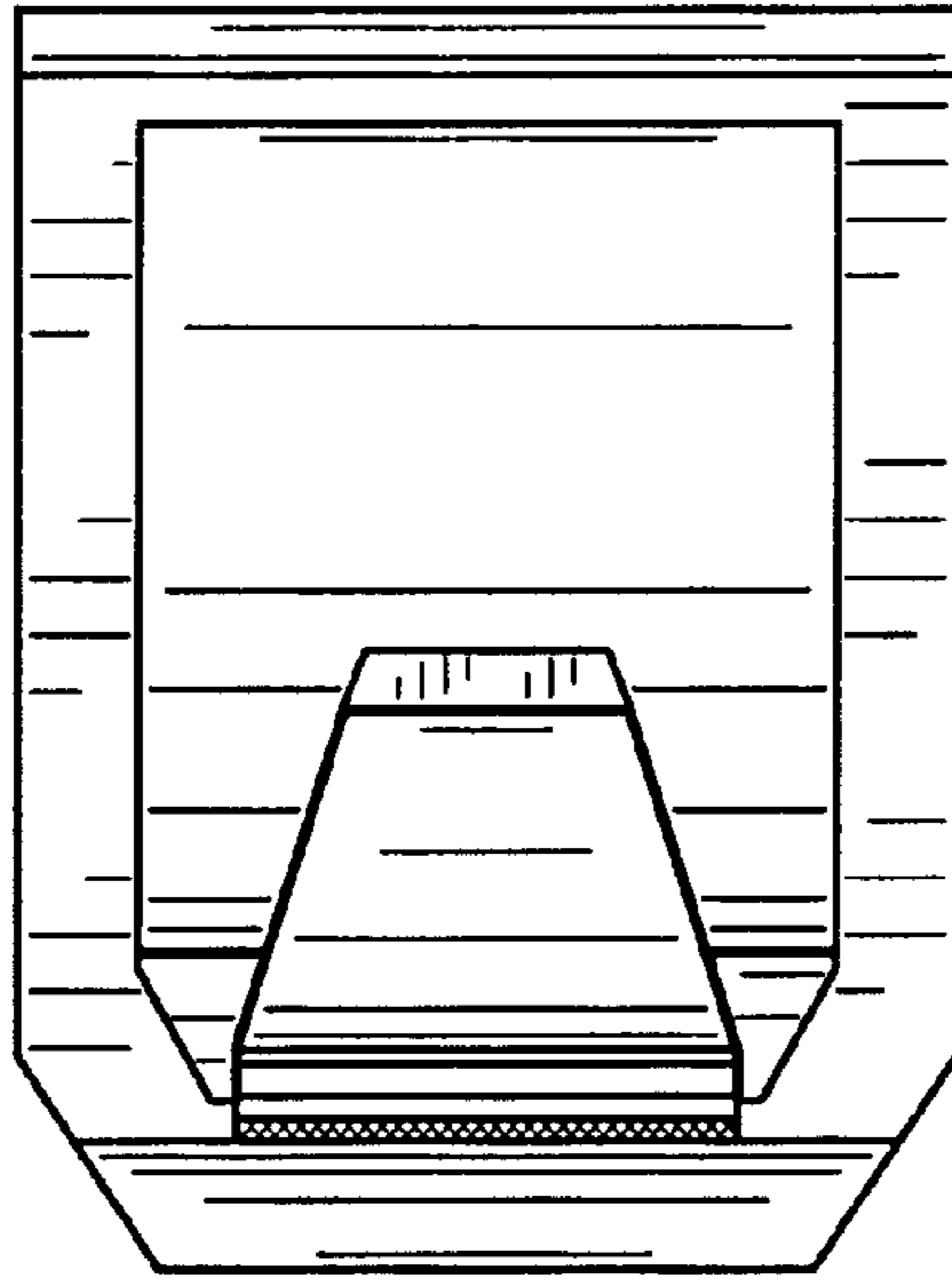


FIG. 9

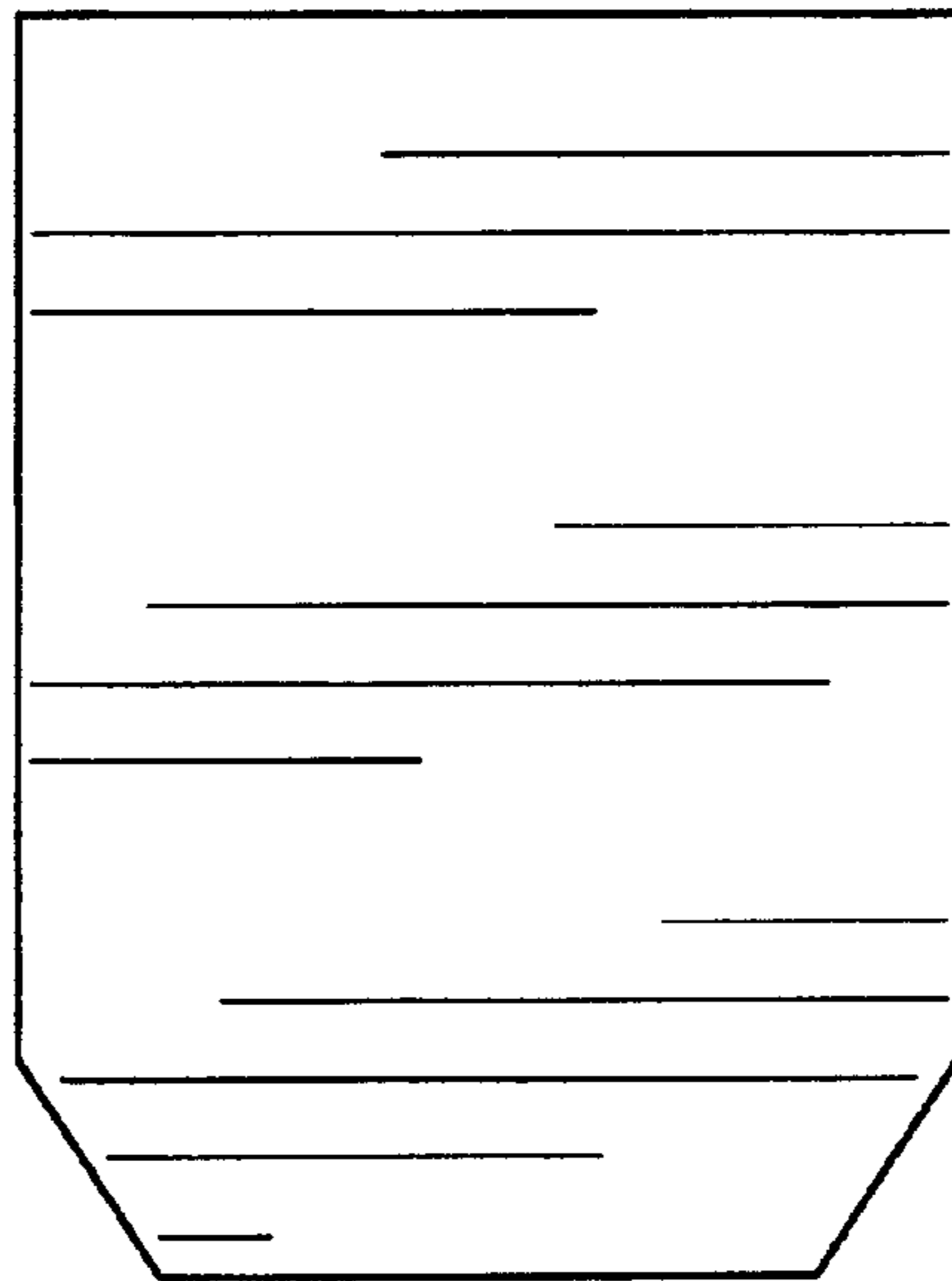


FIG. 10

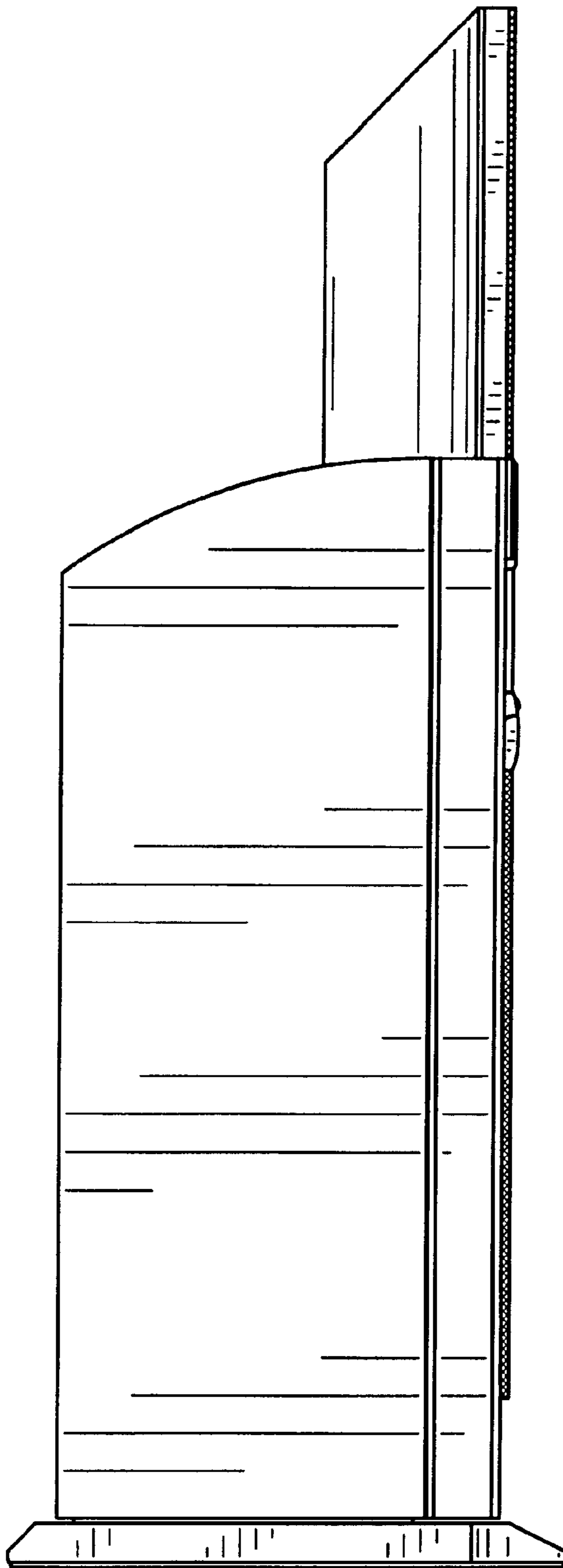


FIG. 11

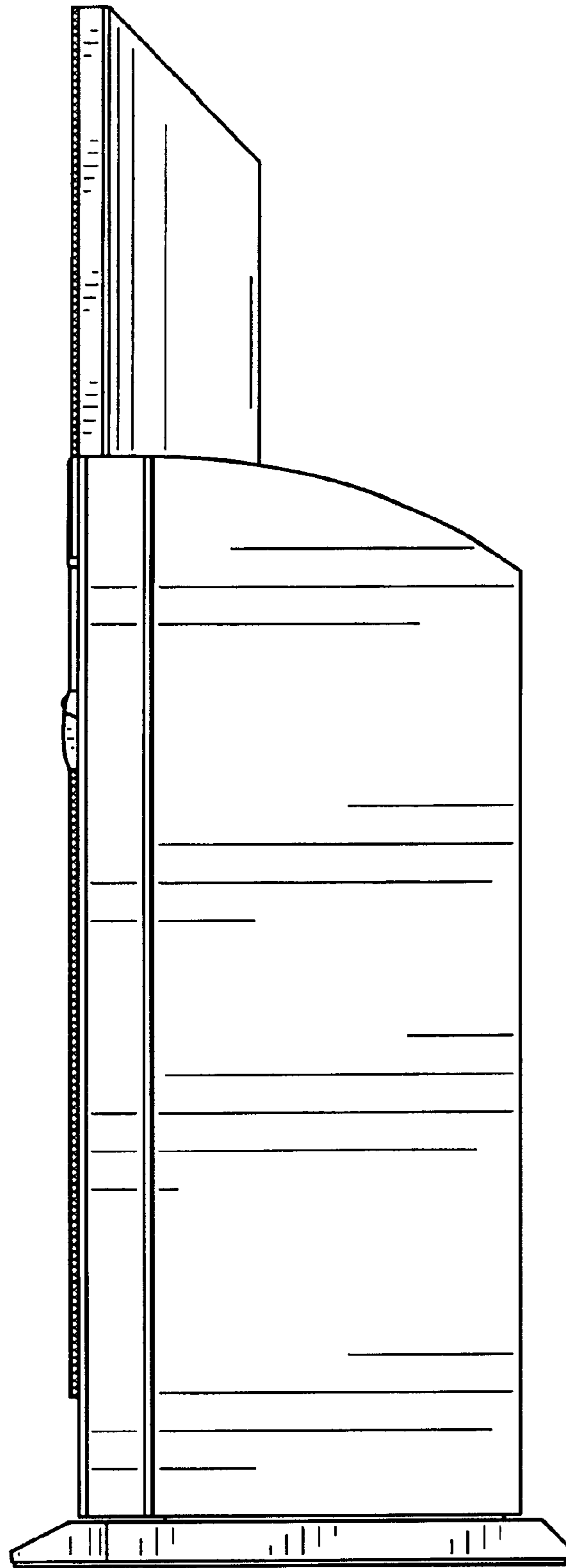


FIG. 12

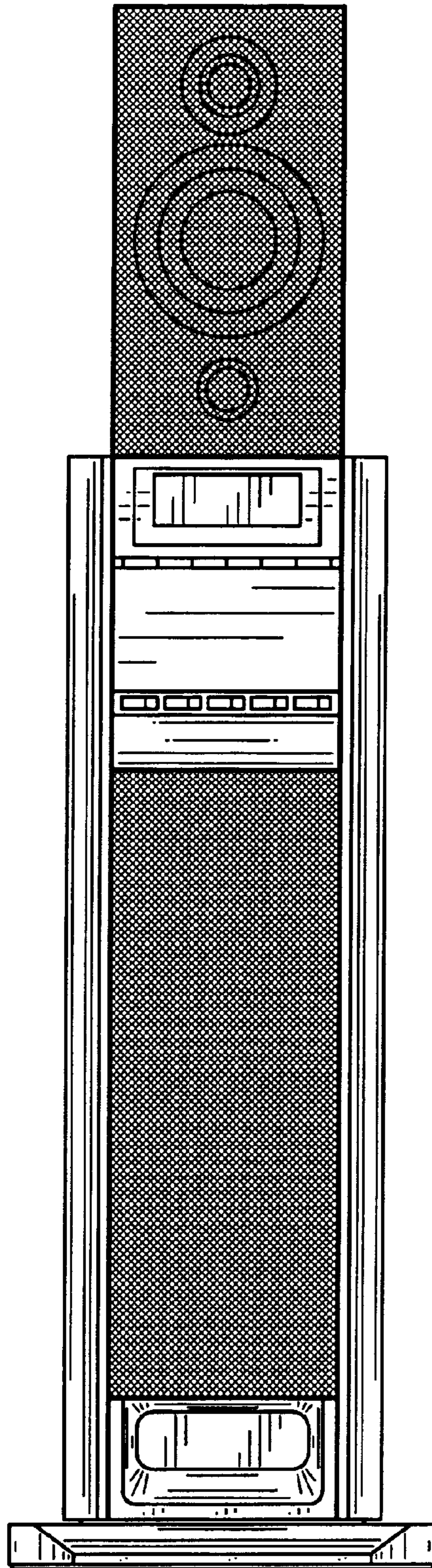


FIG. 13

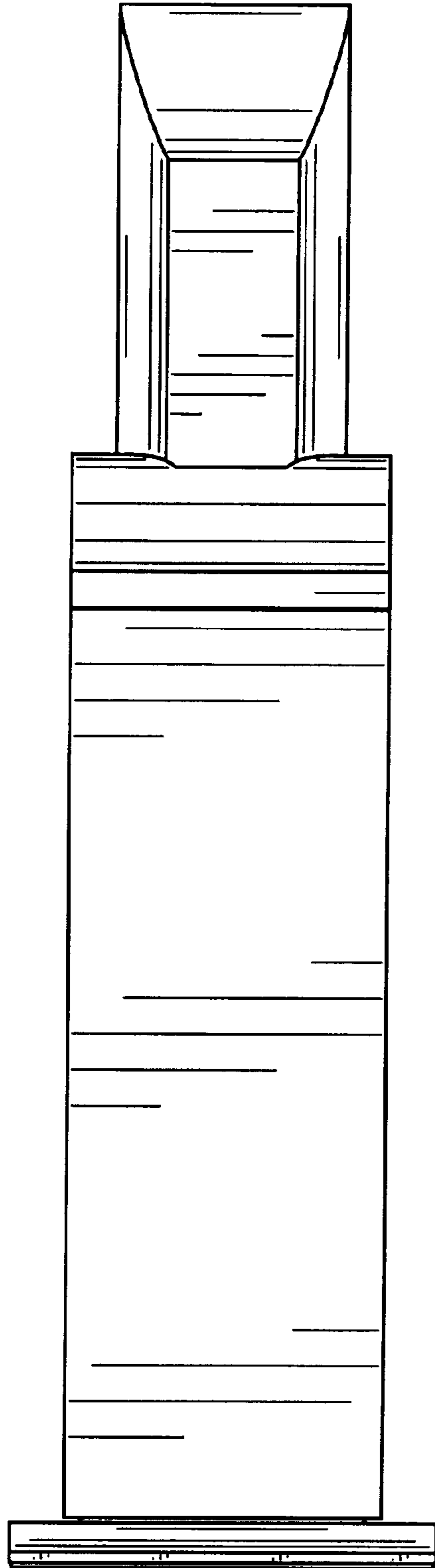


FIG. 14