



US00D431814S

# United States Patent [19] Sasago

[11] **Patent Number: Des. 431,814**

[45] **Date of Patent: \*\* Oct. 10, 2000**

[54] **VIDEO TAPE RECORDER**

[75] Inventor: **Osamu Sasago**, Tokyo, Japan

[73] Assignee: **Sony Corporation**, Japan

[\*\*] Term: **14 Years**

[21] Appl. No.: **29/111,881**

[22] Filed: **Oct. 7, 1999**

[51] **LOC (7) Cl.** ..... **14-01**

[52] **U.S. Cl.** ..... **D14/135**

[58] **Field of Search** ..... D14/124, 125,  
D14/135, 136, 156, 157, 160, 239, 168;  
386/46; 369/75.1; 455/345, 348, 351

[56] **References Cited**

**U.S. PATENT DOCUMENTS**

D. 321,189	10/1991	Ito et al.	.....	D14/156
D. 375,306	11/1996	Iribe	.....	D14/135
D. 385,278	10/1997	Sato	.....	D14/168
D. 387,755	12/1997	Shintani	.....	D14/135

**OTHER PUBLICATIONS**

Catalog; "Broadcast/Production System General Catalog 1999"; Sony; Oct. 1998; p. 51.

*Primary Examiner*—Richelle Shelton  
*Attorney, Agent, or Firm*—Rader, Fishman&Grauer

[57] **CLAIM**

The ornamental design for a video tape recorder, as shown and described.

**DESCRIPTION**

FIG. 1 is a perspective view of a video tape recorder showing my new design;  
FIG. 2 is a top plan view thereof;  
FIG. 3 is a bottom plan view thereof;  
FIG. 4 is a left side elevational view thereof;  
FIG. 5 is a right side elevational view thereof;  
FIG. 6 is a front elevational view thereof; and,  
FIG. 7 is a rear elevational view thereof.

**1 Claim, 5 Drawing Sheets**

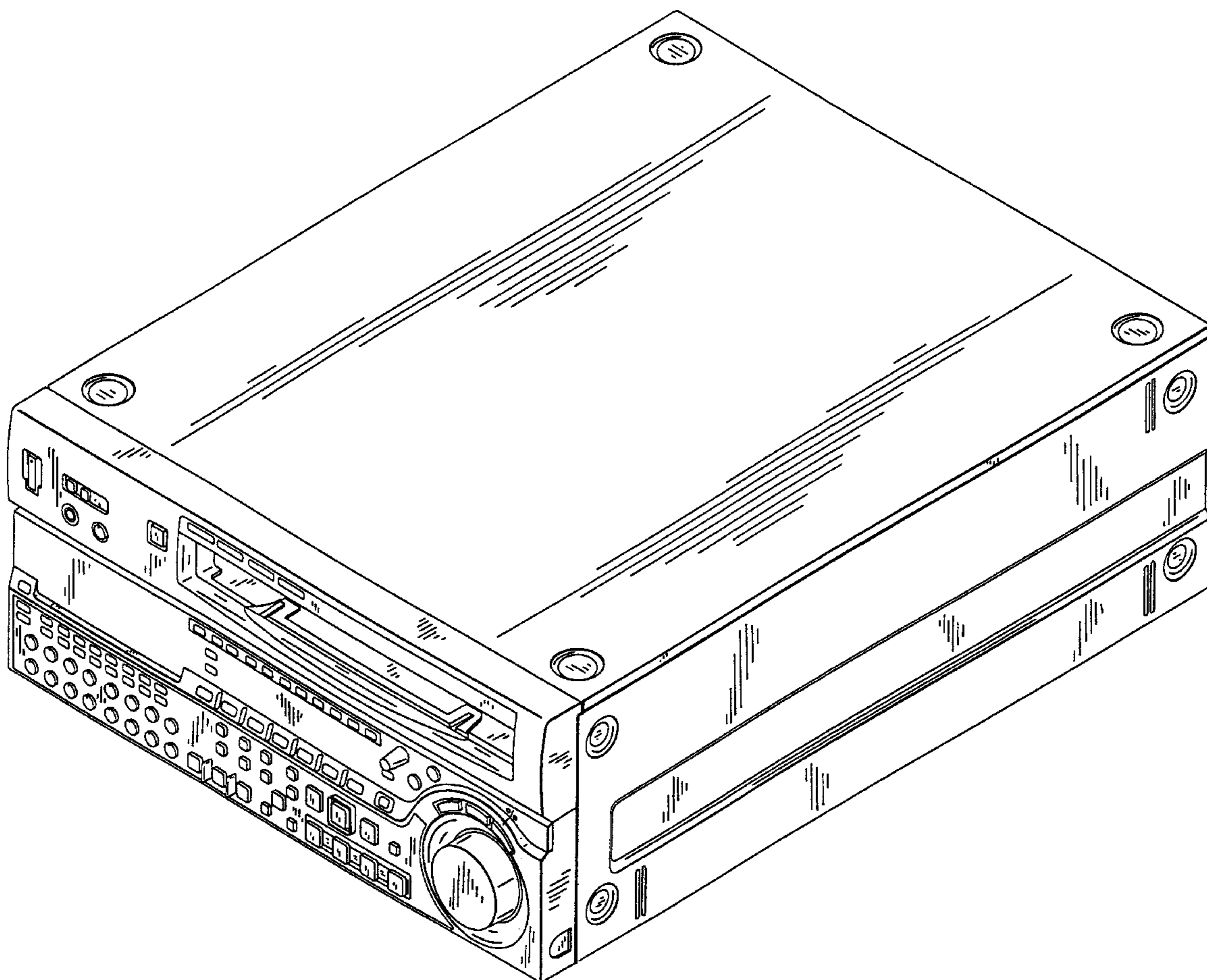


FIG. 1

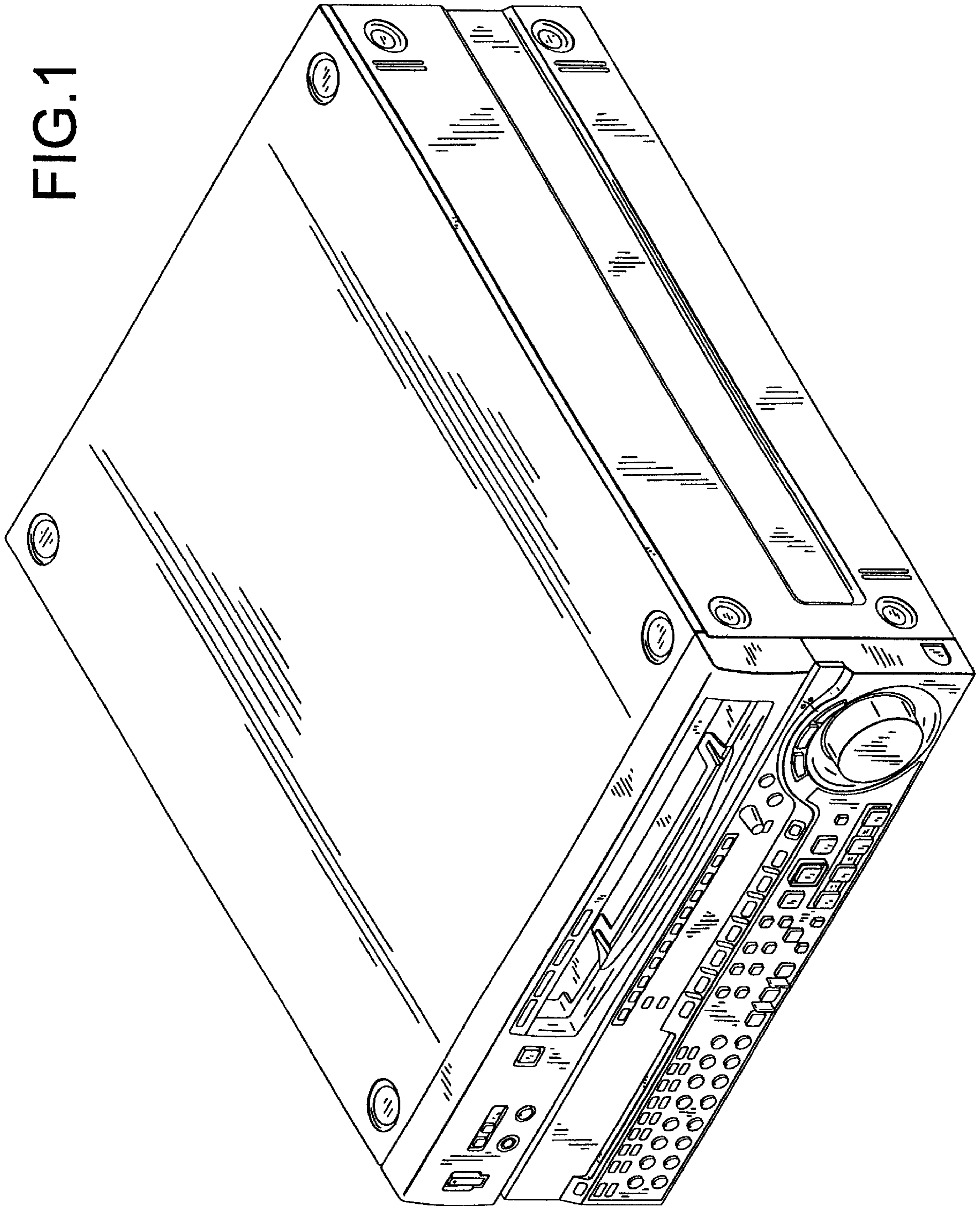


FIG.2

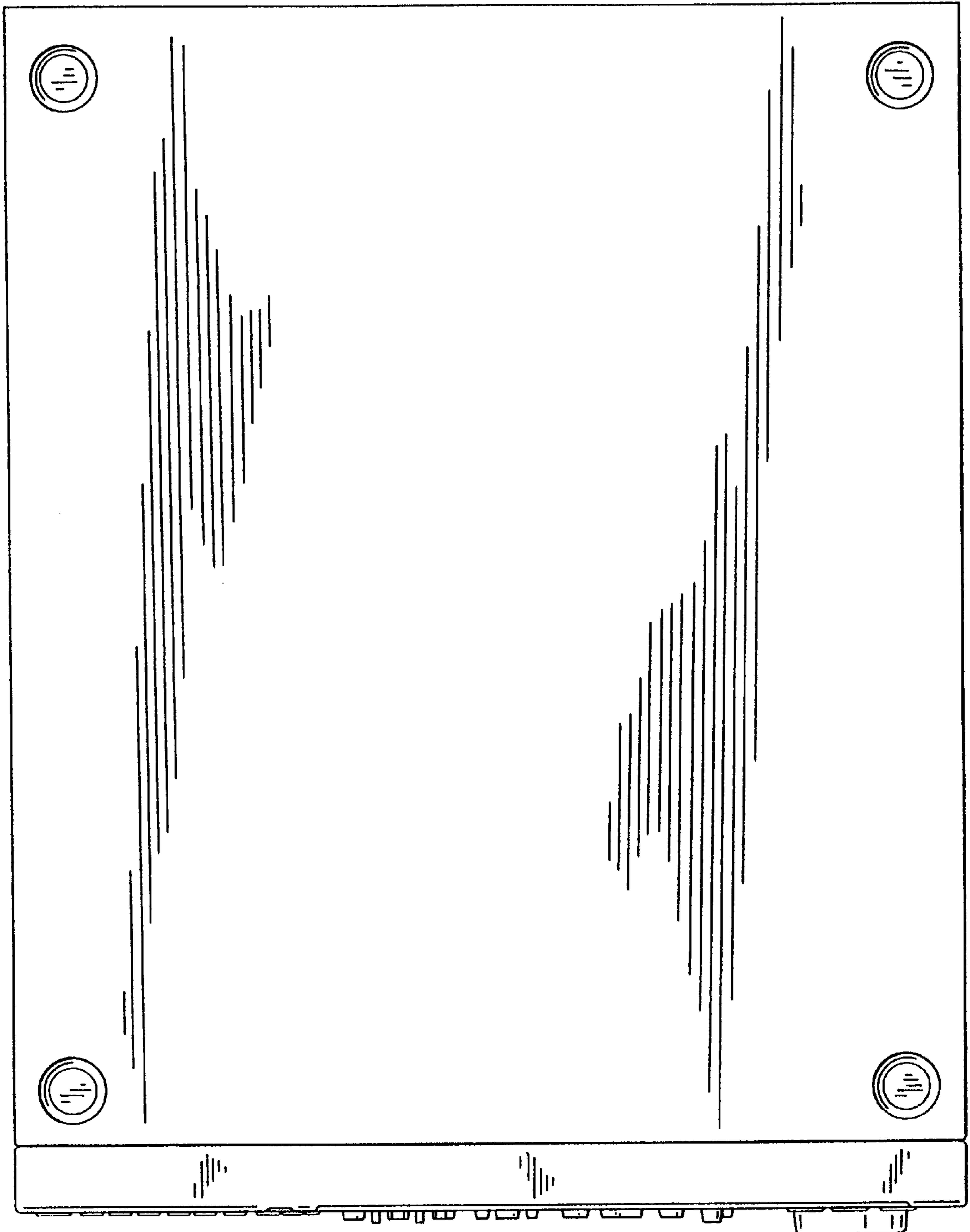


FIG.3

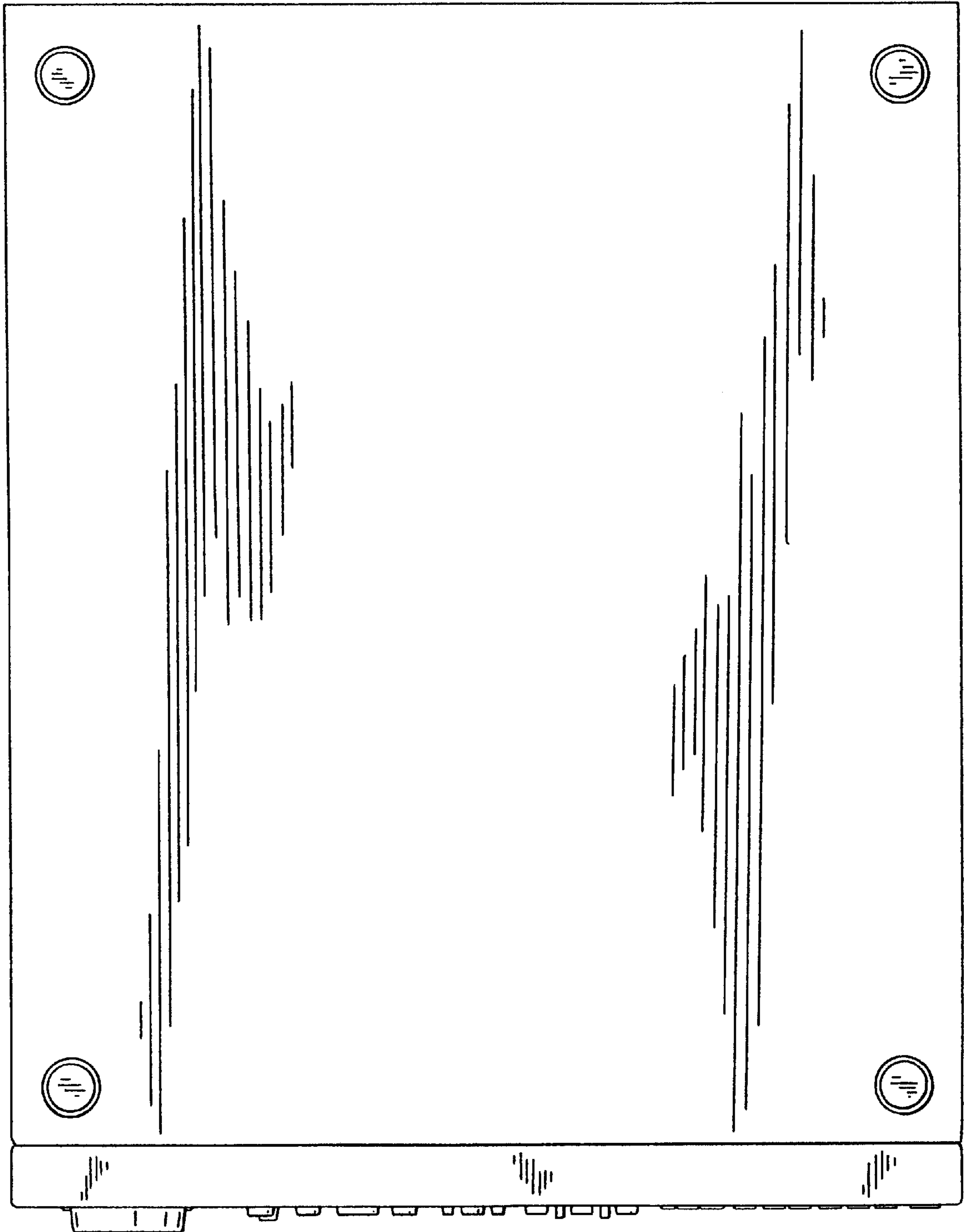


FIG. 4

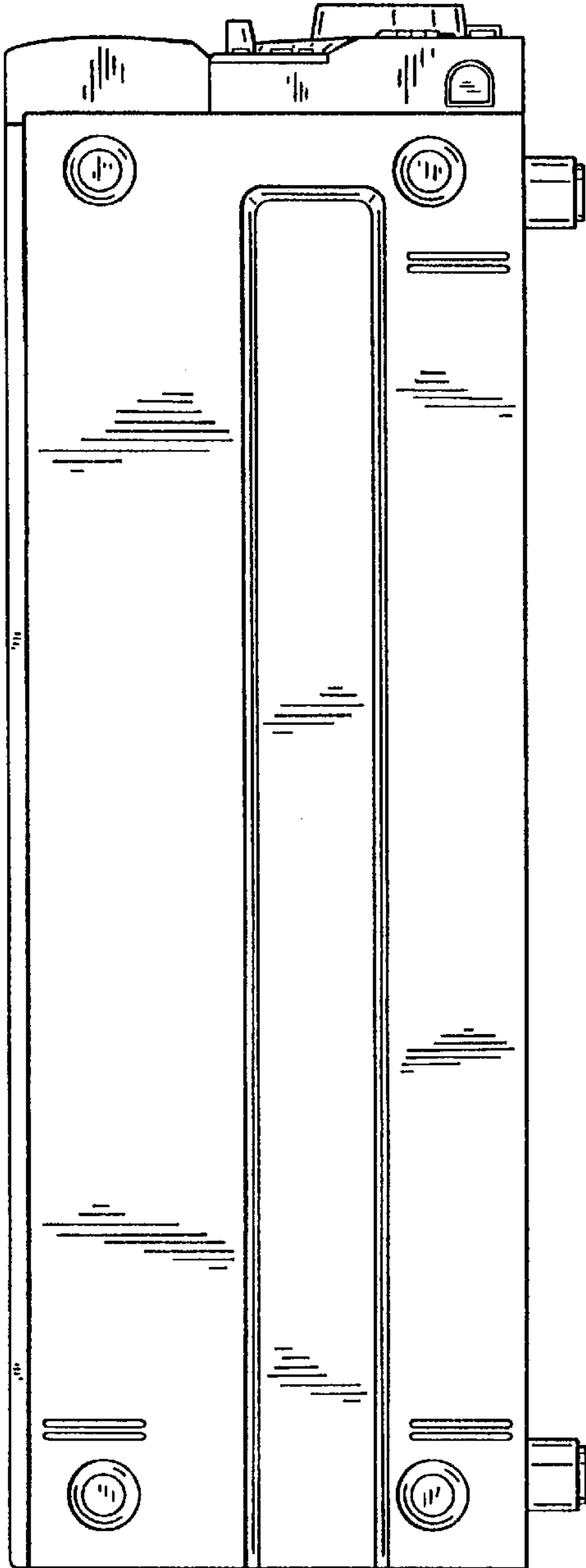


FIG. 5

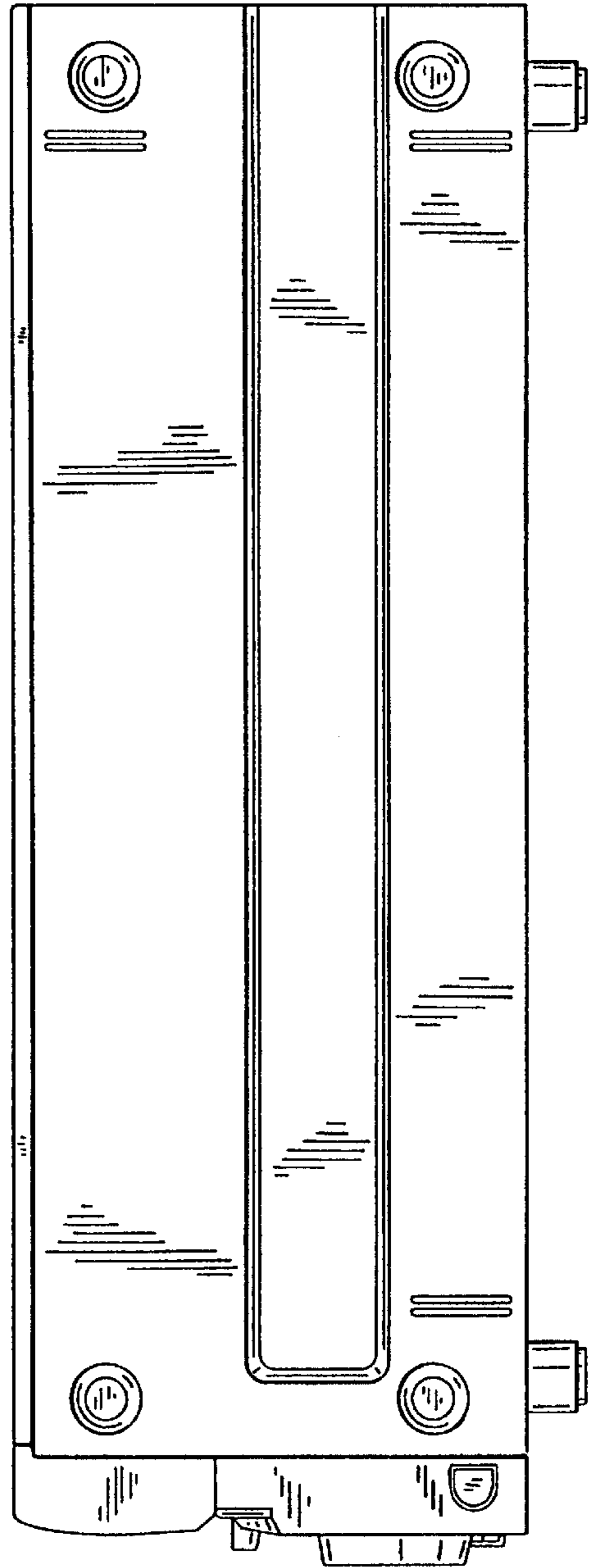


FIG.6

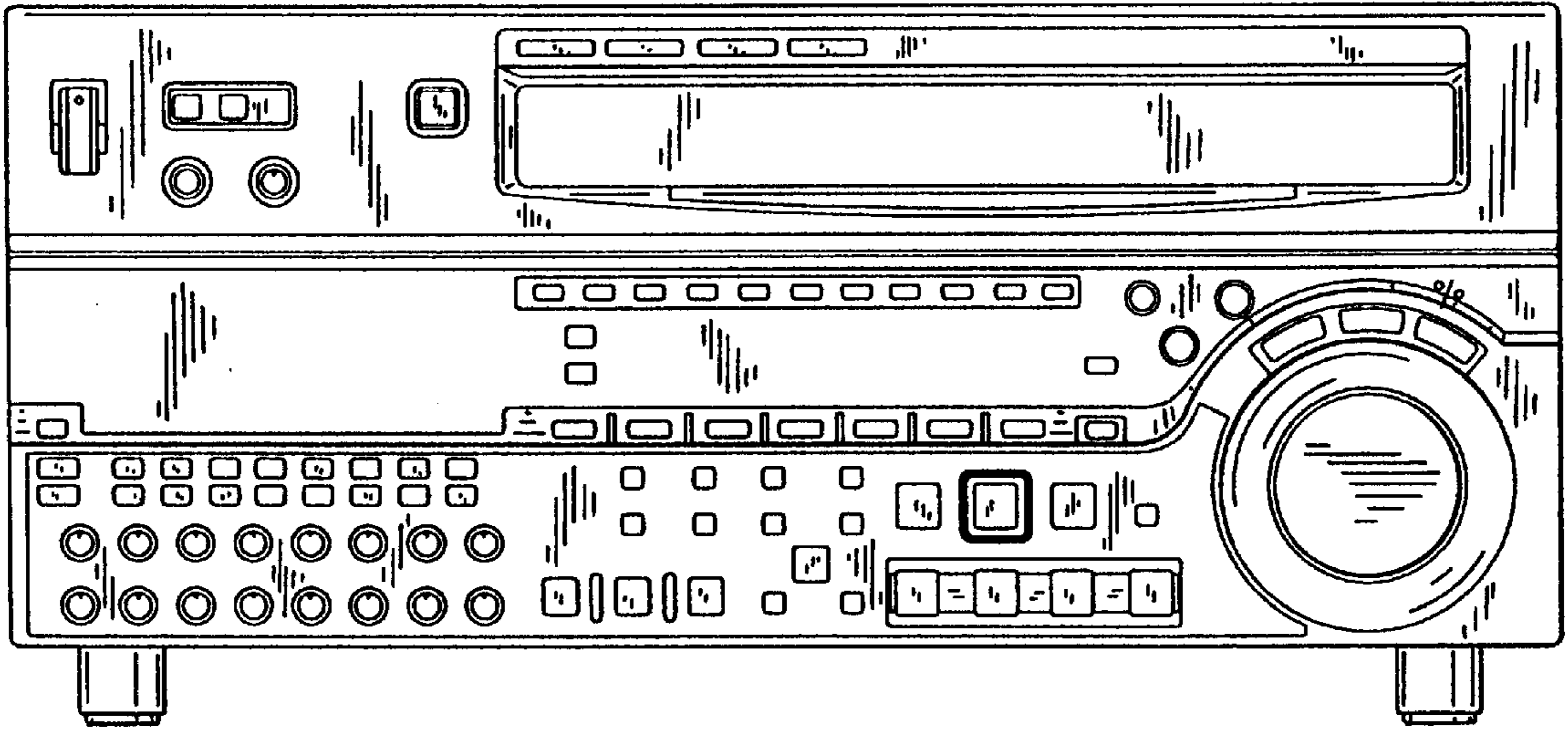


FIG.7

