



US00D431810S

United States Patent [19] Weng

[11] Patent Number: **Des. 431,810**

[45] Date of Patent: **** Oct. 10, 2000**

[54] **ELECTRIC POWER SUPPLY ASSEMBLY**

[75] Inventor: **Hsien-Tang Weng**, Taipei Hsien, Taiwan

[73] Assignee: **Shin Jiuh Corporation**, Taiwan

[**] Term: **14 Years**

[21] Appl. No.: **29/099,885**

[22] Filed: **Jan. 29, 1999**

[51] **LOC (7) Cl.** **13-02**

[52] **U.S. Cl.** **D13/110**

[58] **Field of Search** D13/110, 118, D13/123; 307/66, 150; 361/730, 735, 678, 695

[56] **References Cited**

U.S. PATENT DOCUMENTS

3,582,714 6/1971 Shmurak et al. 361/714
5,587,881 12/1996 Wang 361/695

5,612,854 3/1997 Wiscombe et al. 361/727
5,777,848 7/1998 McAnally et al. 361/725
5,808,867 9/1998 Wang 361/695

Primary Examiner—Joel Sincavage
Attorney, Agent, or Firm—Fish & Richardson P.C.

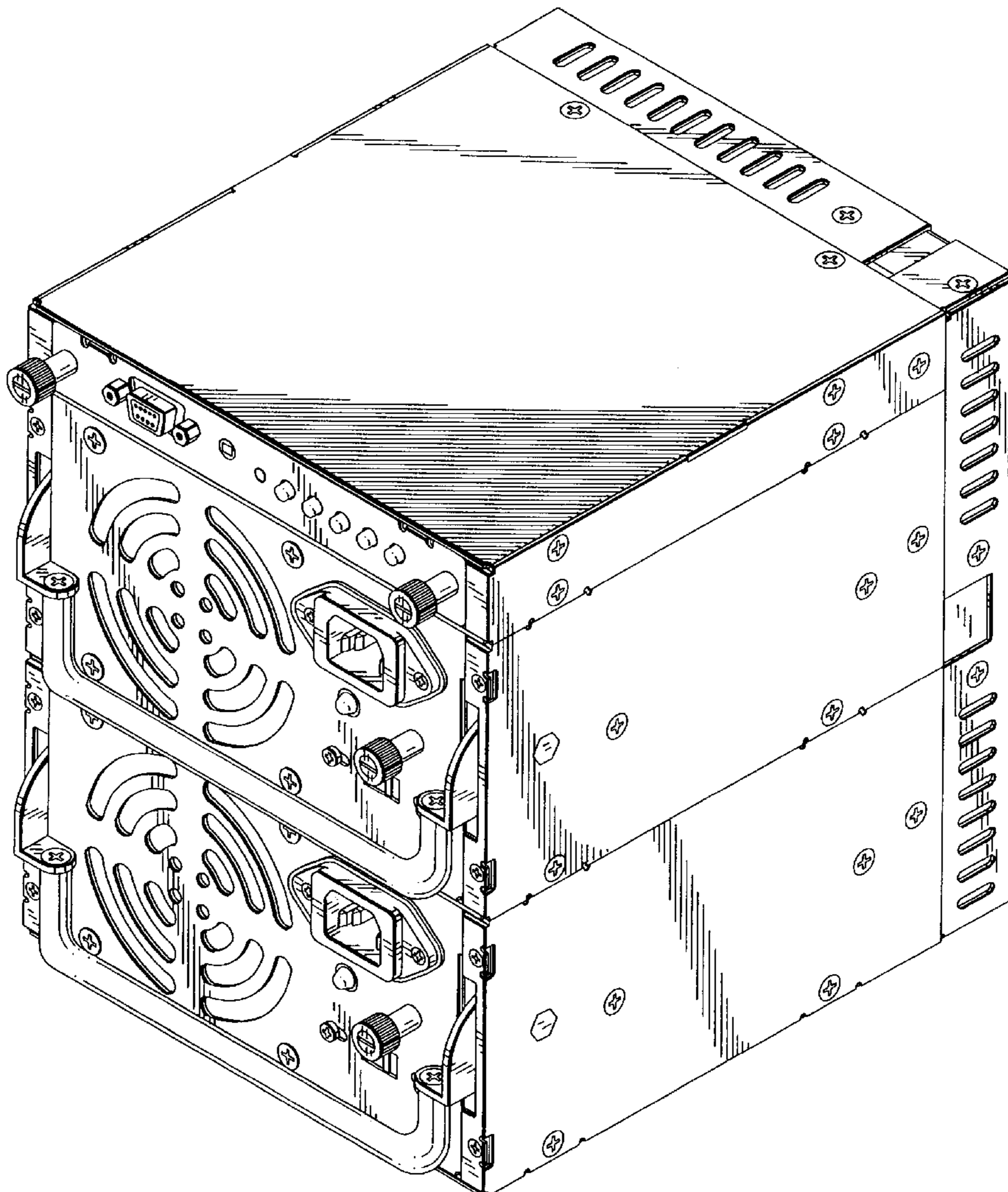
[57] **CLAIM**

The ornamental design for electric power supply assembly, as shown and described.

DESCRIPTION

FIG. 1 is a perspective view of electric power supply assembly showing my new design; FIG. 2 is a front elevational view thereof; FIG. 3 is a rear elevational view thereof; FIG. 4 is a left side elevational view thereof; FIG. 5 is a right side elevational view thereof; FIG. 6 is a top plan view thereof; and, FIG. 7 is a bottom plan view thereof.

1 Claim, 7 Drawing Sheets



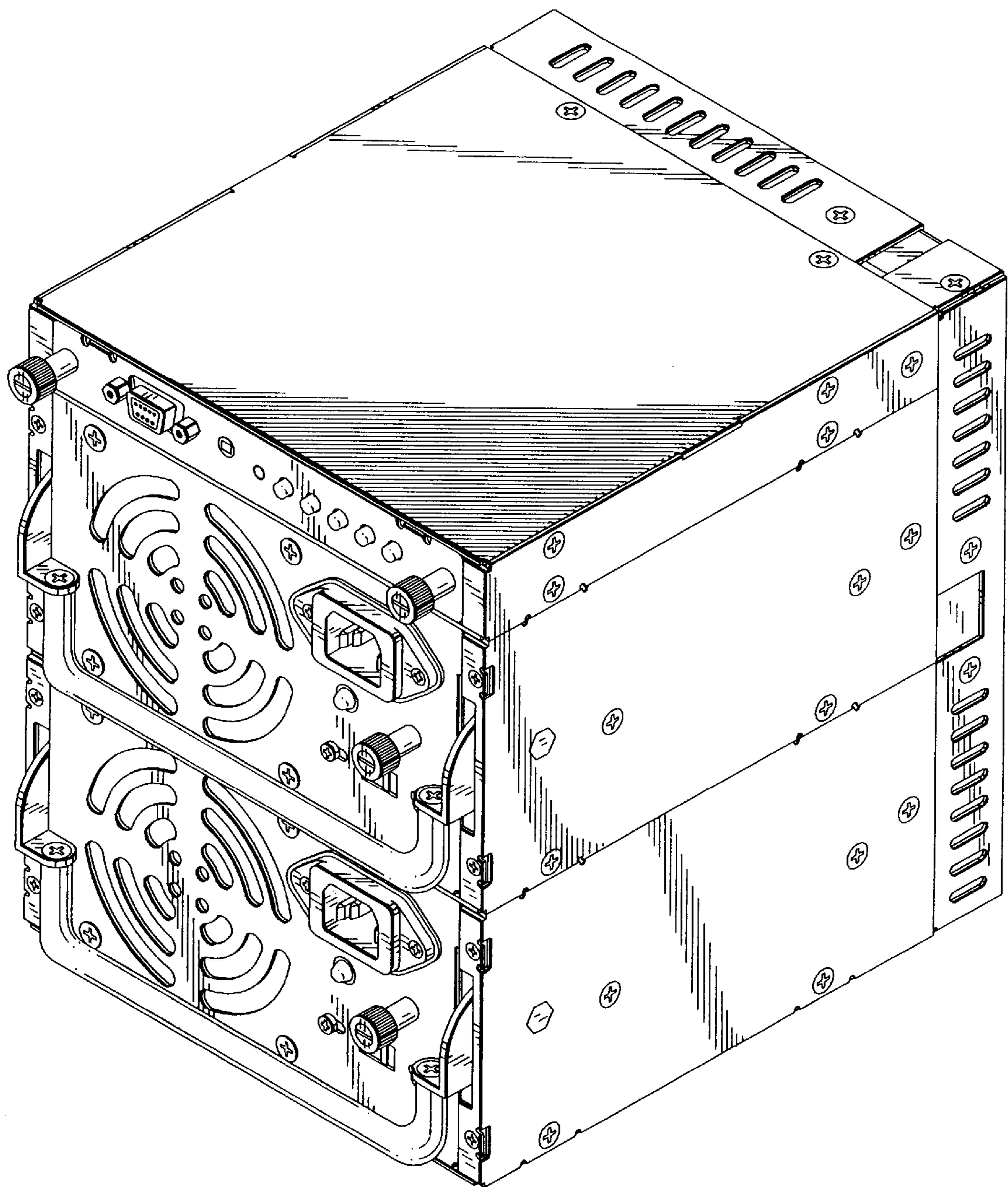


FIG. 1

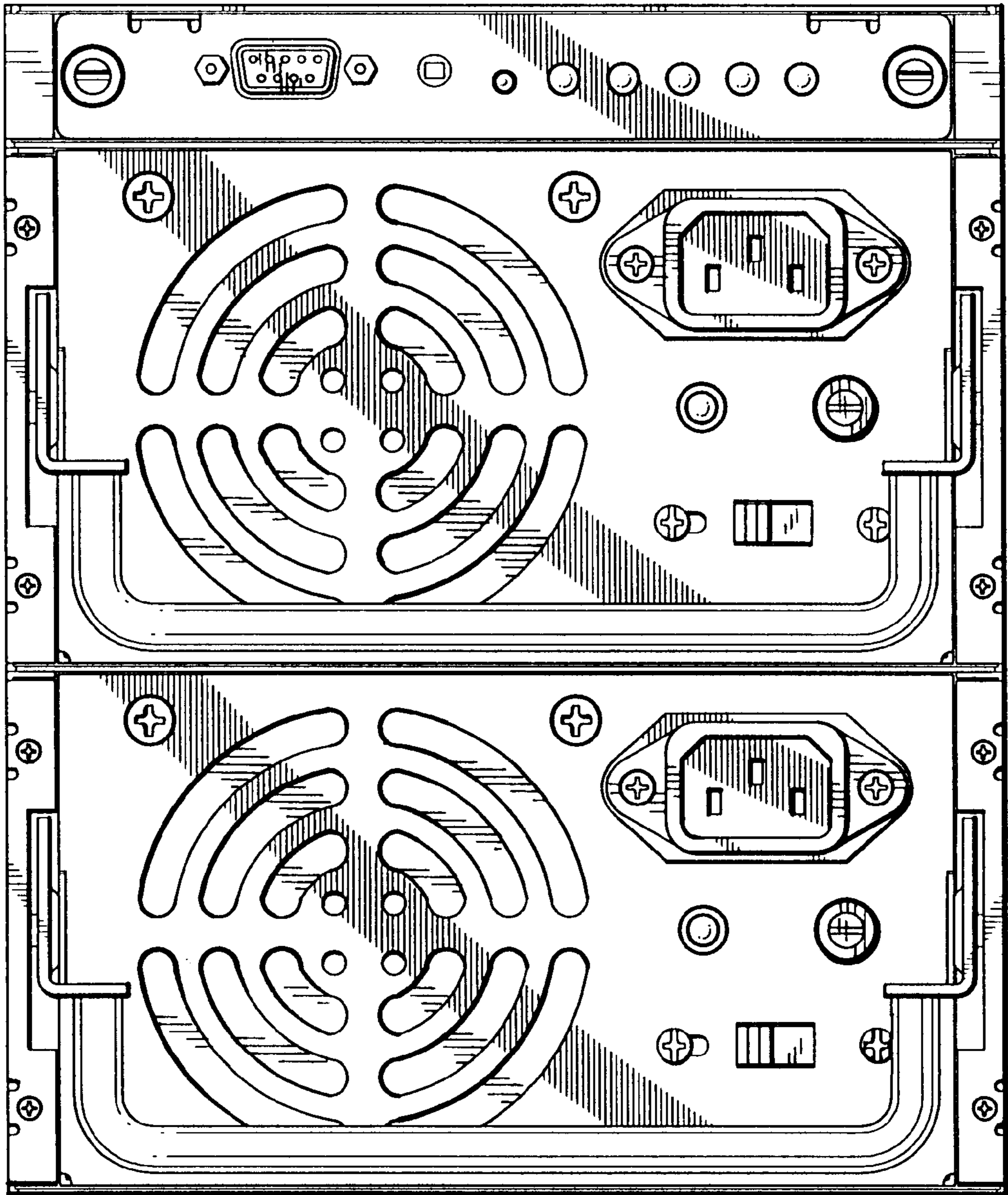


FIG. 2

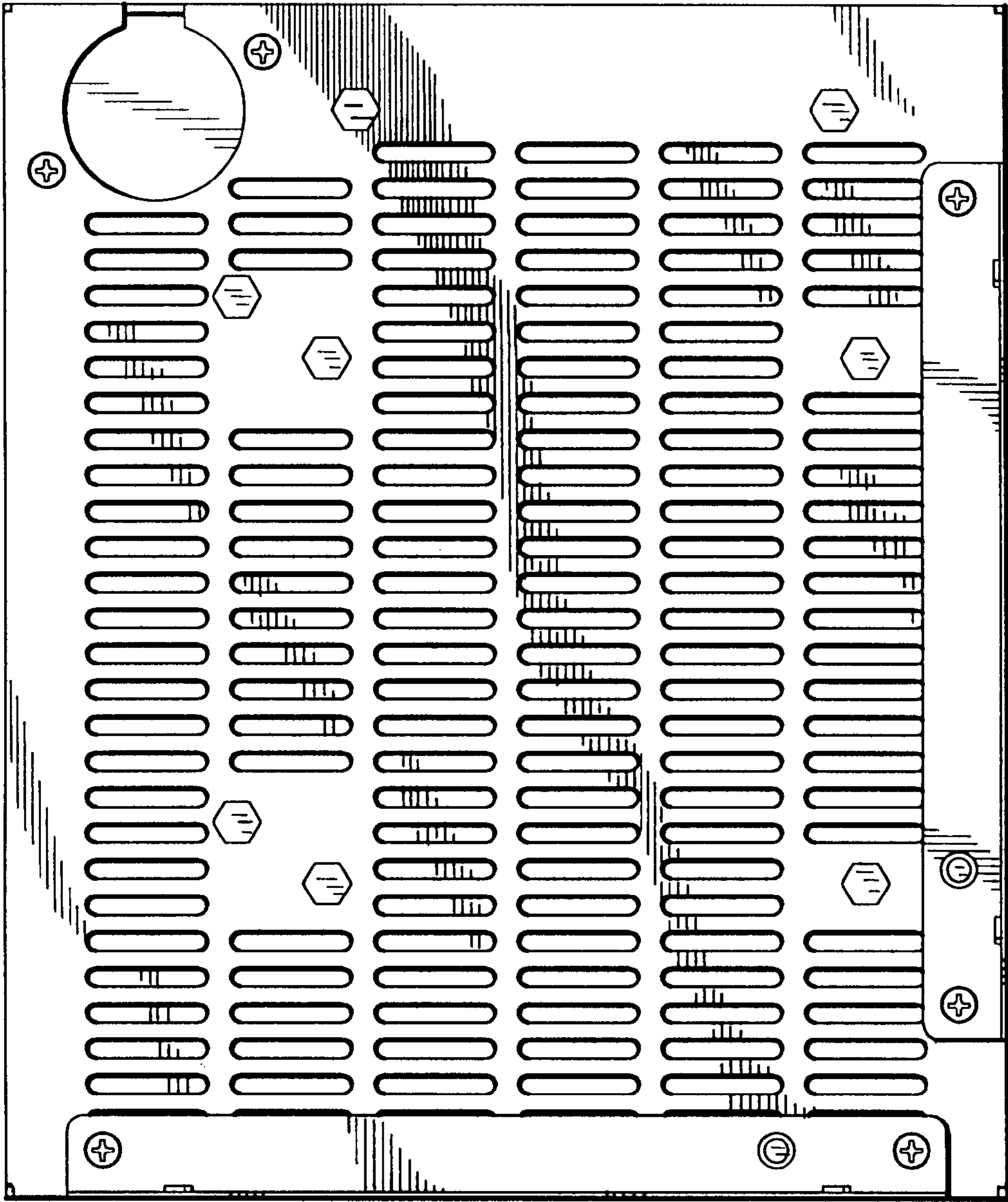


FIG. 3

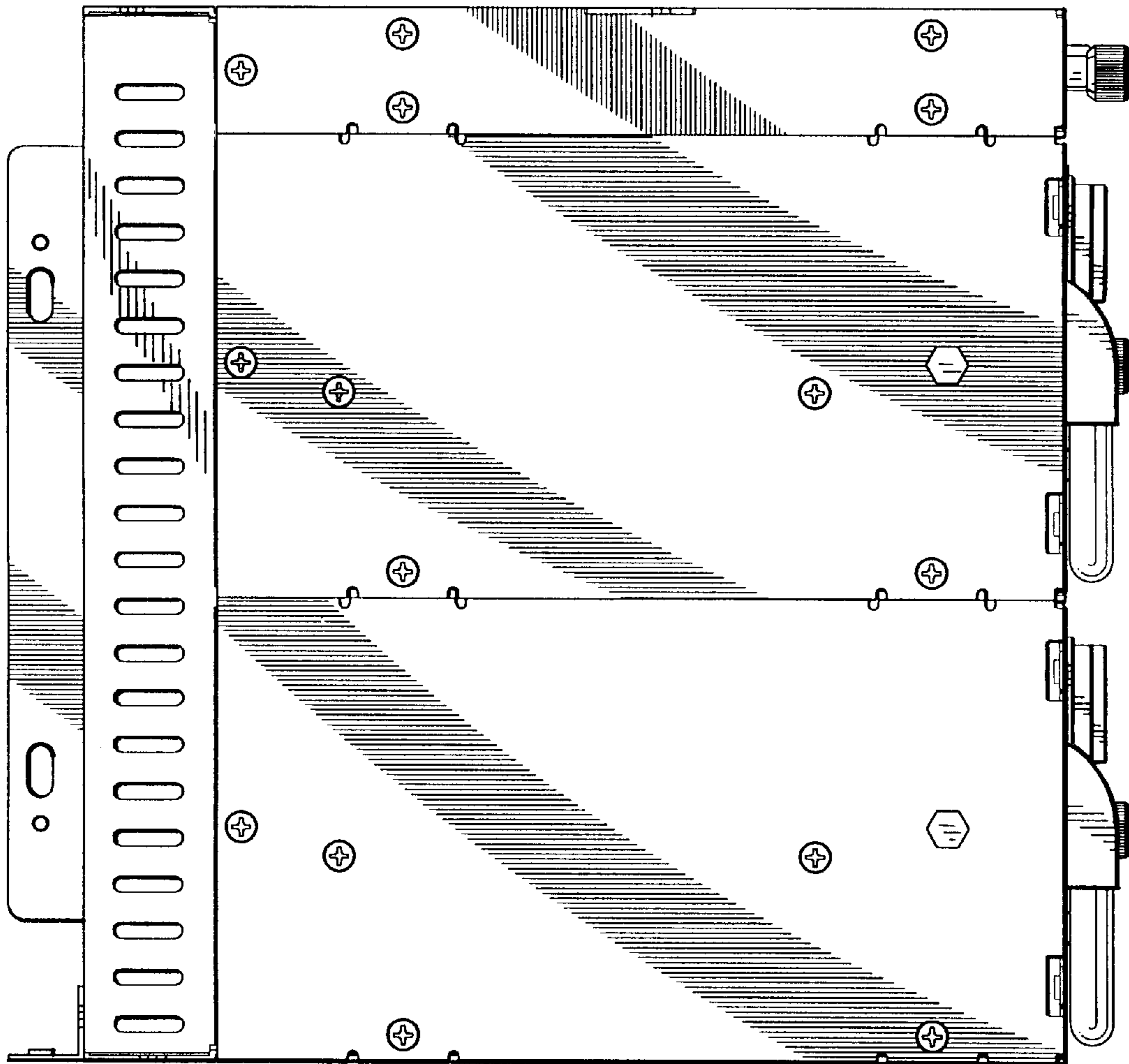


FIG. 4

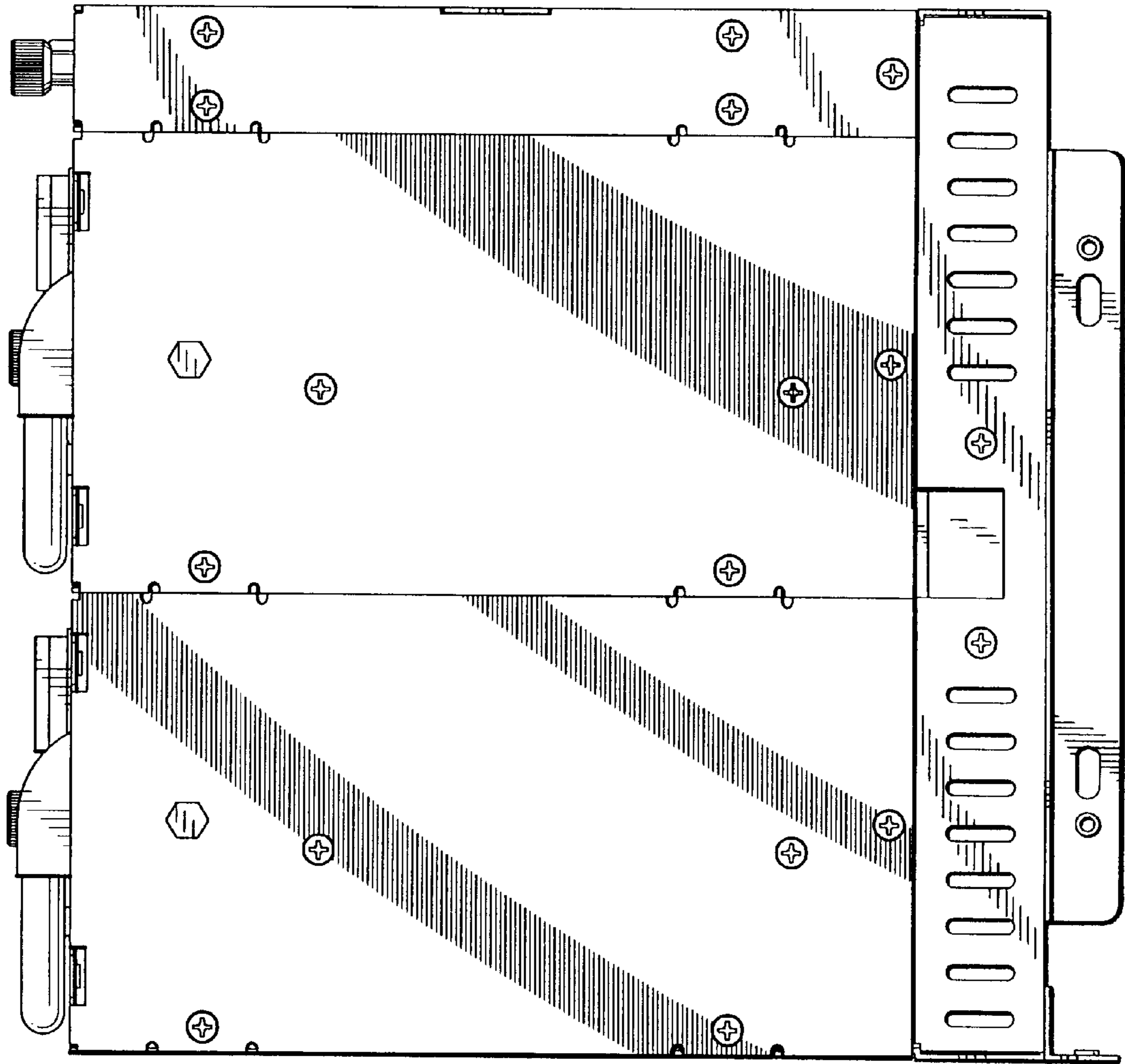


FIG. 5

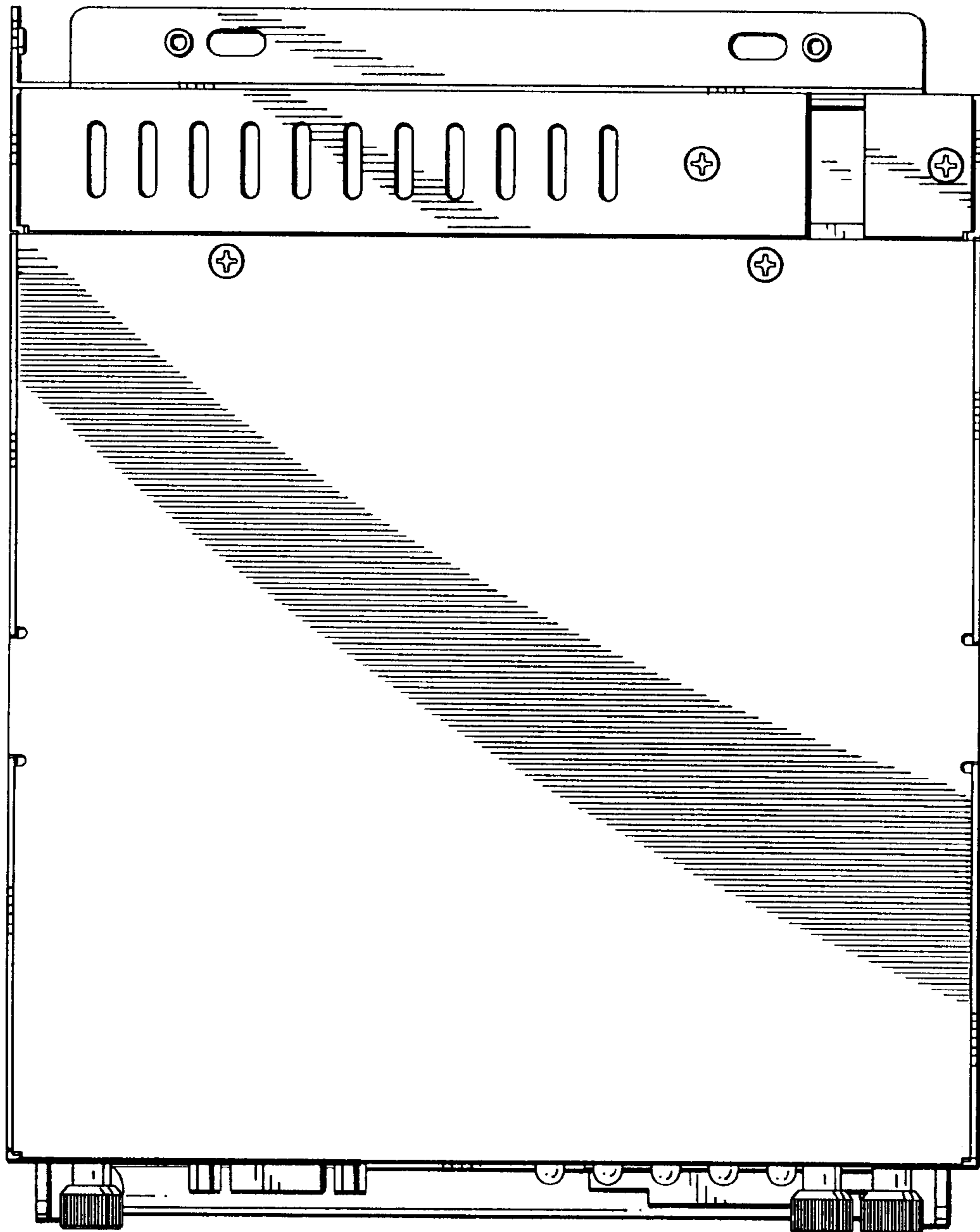


FIG. 6

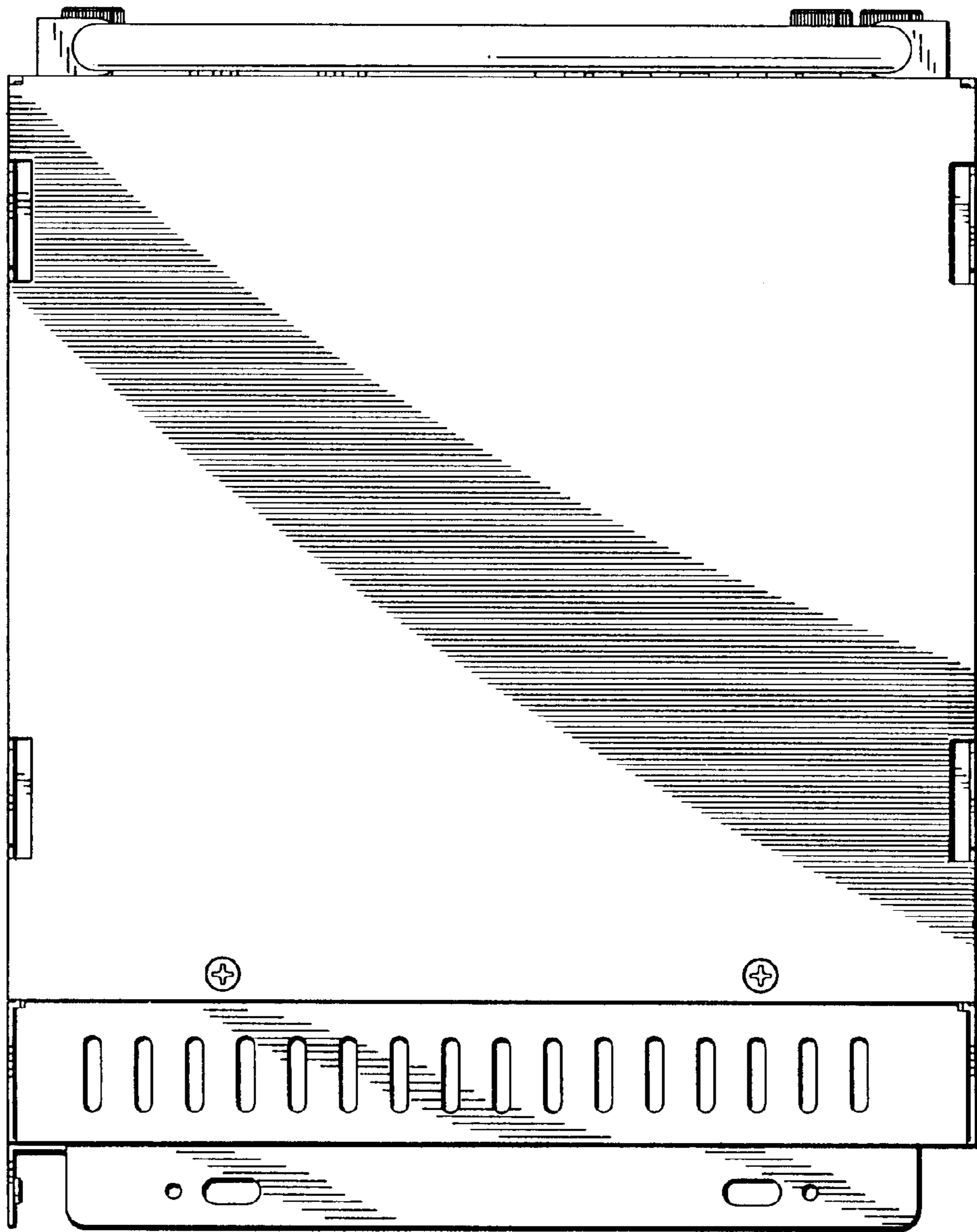


FIG. 7