



US00D431807S

**United States Patent** [19]  
**Fitzgerald**

[11] **Patent Number: Des. 431,807**

[45] **Date of Patent: \*\* Oct. 10, 2000**

[54] **MOTOR VEHICLE WHEEL FRONT FACE**

[75] Inventor: **Kevin Fitzgerald**, Long Beach, Calif.

[73] Assignee: **KMC Products, Inc.**, Riverside, Calif.

[\*\*] Term: **14 Years**

[21] Appl. No.: **29/120,925**

[22] Filed: **Mar. 29, 2000**

[51] **LOC (7) Cl.** ..... **12-16**

[52] **U.S. Cl.** ..... **D12/211**

[58] **Field of Search** ..... D12/204-211;  
301/37.1, 64.1, 65

- D. 408,778 4/1999 Neeper ..... D12/211
- D. 416,534 11/1999 Couzyn et al. .... D12/211
- D. 416,845 11/1999 Frueh ..... D12/209
- D. 416,848 11/1999 Bernoni ..... D12/209
- D. 423,441 4/2000 Bildhaeuser ..... D12/209

*Primary Examiner*—Stacia Cadmus  
*Attorney, Agent, or Firm*—Dykema Gossett PLLC

[57] **CLAIM**

The ornamental design for a motor vehicle wheel front face, as shown and described.

**DESCRIPTION**

FIG. 1 is a front perspective view of a motor vehicle wheel showing my new design; and, FIG. 2 is a front elevational view of the wheel shown in FIG. 1.

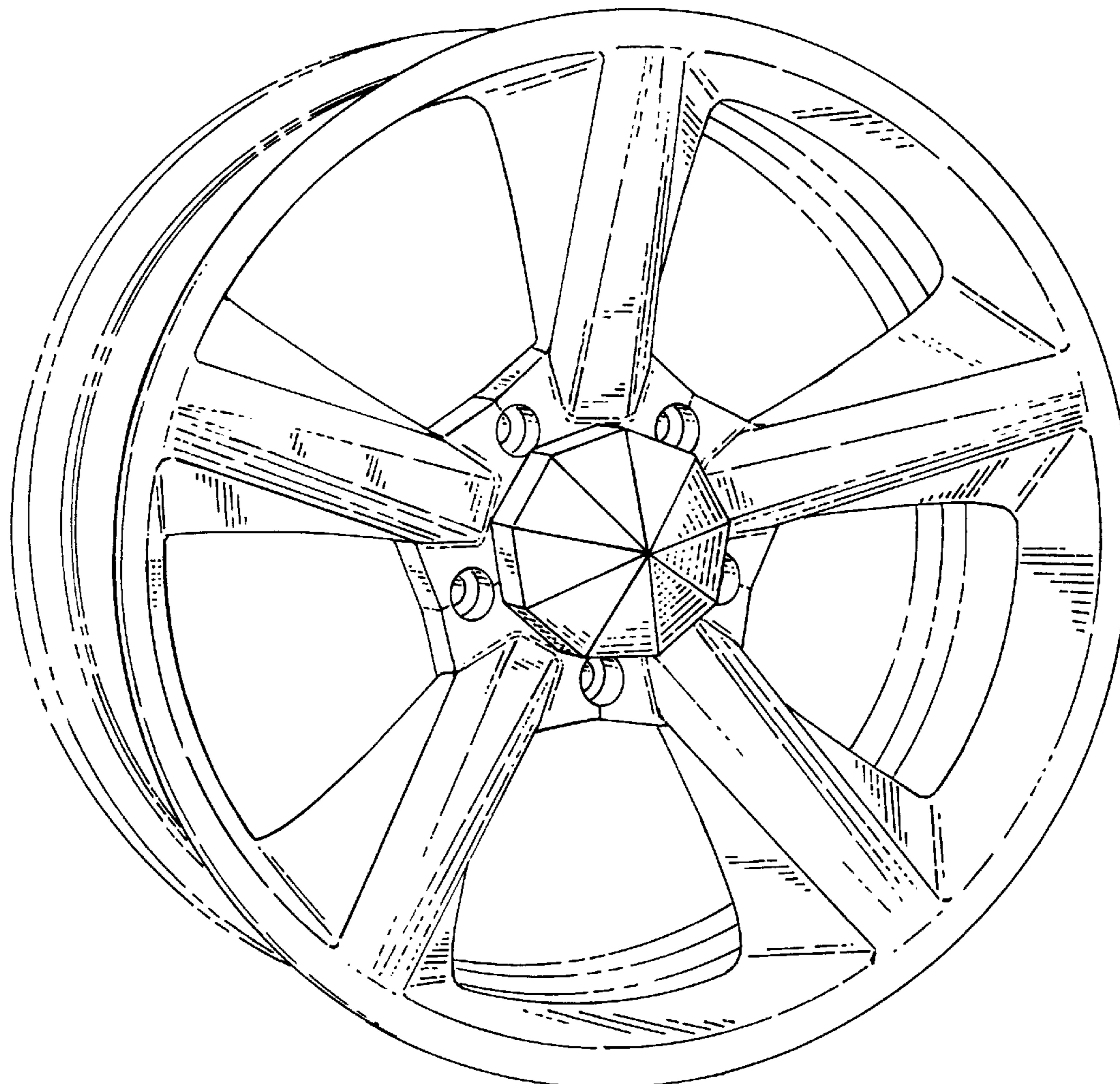
The phantom line showing of environment is for illustrative purposes only and forms no part of the claimed design.

[56] **References Cited**

**U.S. PATENT DOCUMENTS**

- D. 375,287 11/1996 Neeper ..... D12/211
- D. 396,839 8/1998 Cullen ..... D12/211
- D. 403,648 1/1999 Feriero ..... D12/209
- D. 407,057 3/1999 Goplen ..... D12/211

**1 Claim, 2 Drawing Sheets**



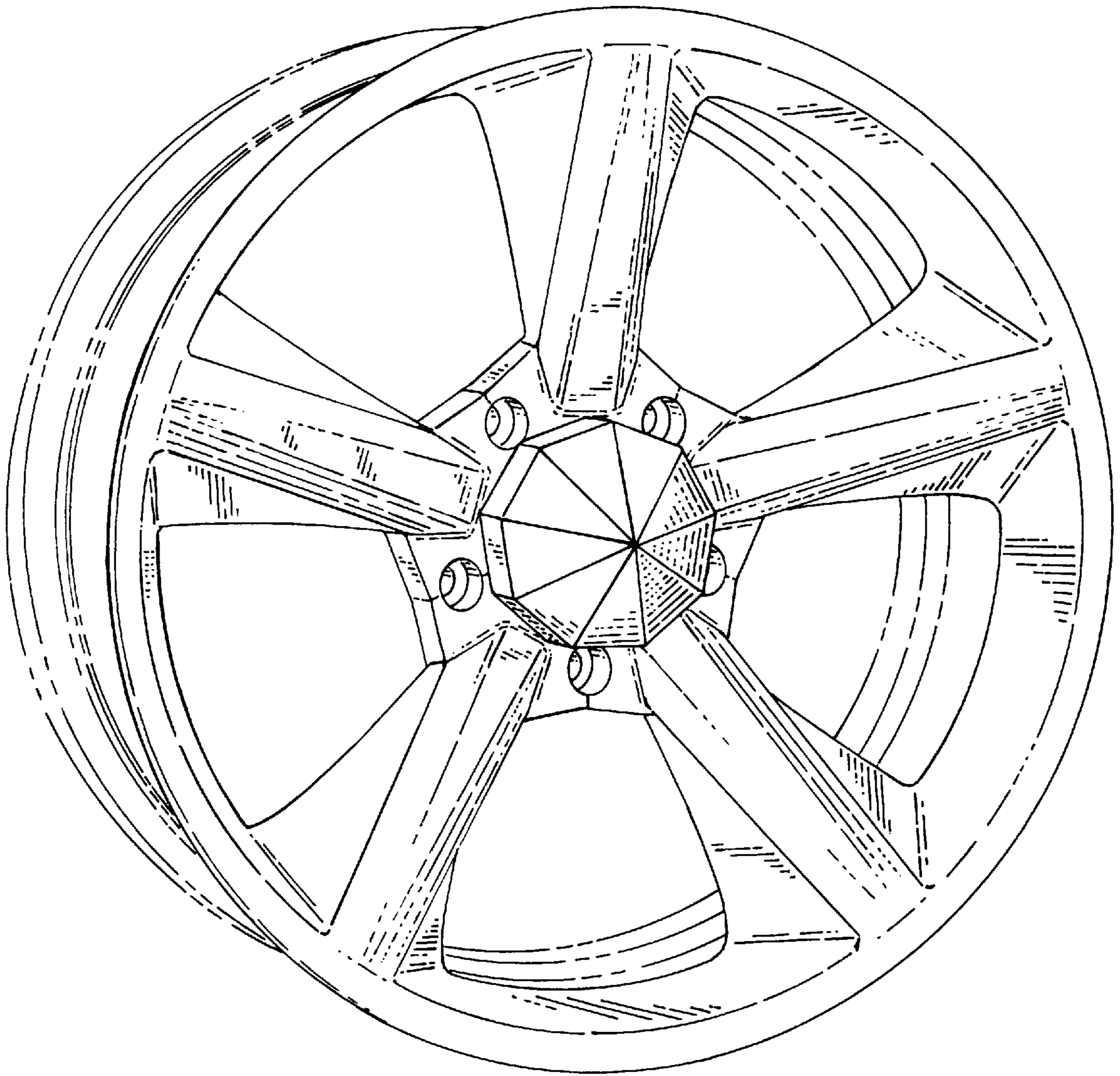


FIG. 1

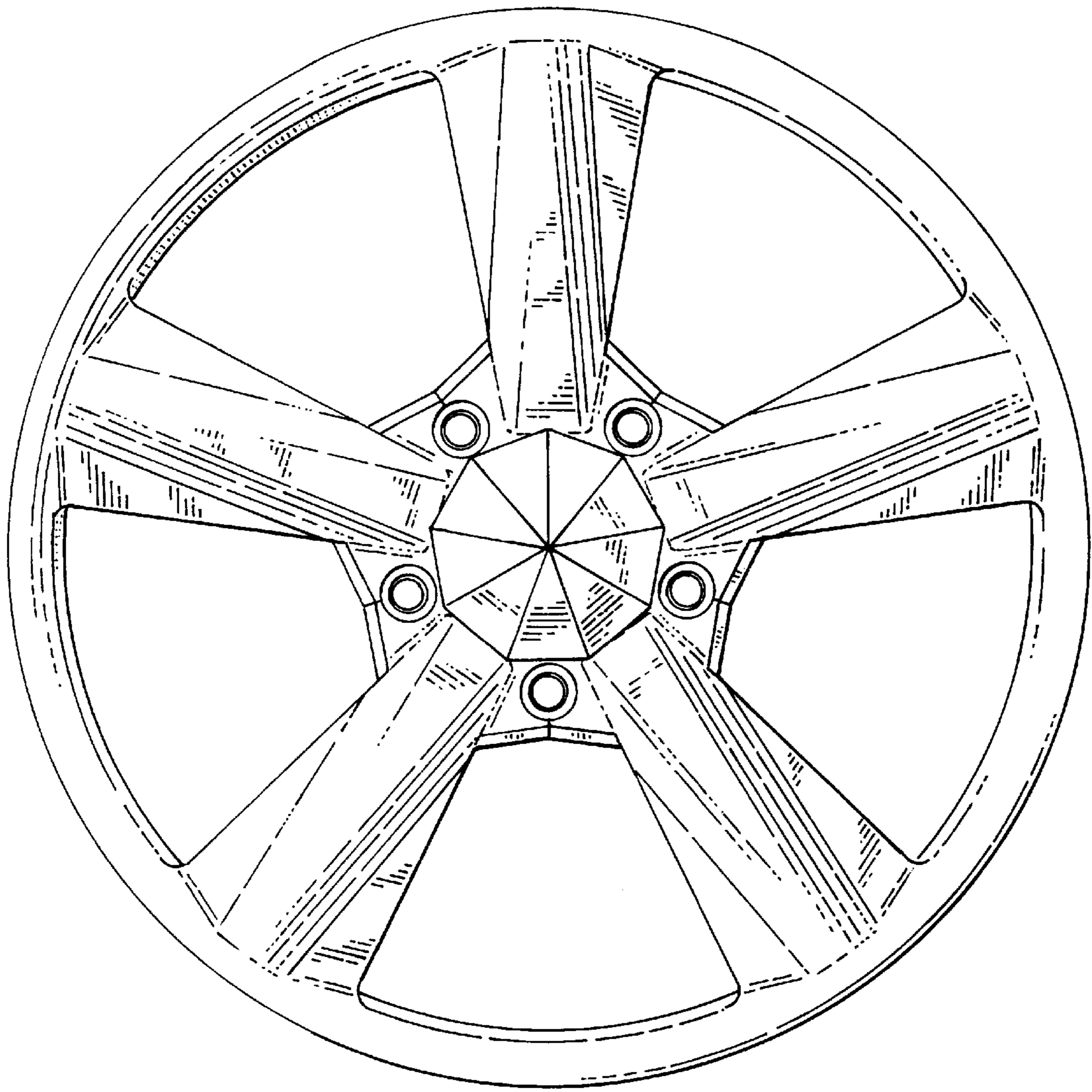


FIG. 2