



US00D431806S

United States Patent [19]

Damon et al.

[11] Patent Number: Des. 431,806

[45] Date of Patent: ** Oct. 10, 2000

[54] **PILLAR COVER FOR A TRUCK**

[75] Inventors: **Kenneth H. Damon**, Fort Worth; **Louis D. Heilaneh**; **Anthony M. Weiblen**, both of Lewisville, all of Tex.

[73] Assignee: **Paccar Inc**, Bellevue, Wash.

[**] Term: **14 Years**

[21] Appl. No.: **29/105,109**

[22] Filed: **May 18, 1999**

[51] **LOC (7) Cl.** **12-16**

[52] **U.S. Cl.** **D12/196**

[58] **Field of Search** D12/196, 96; 296/180.1, 296/180.2, 190, 181, 89.12, 89.14, 89.16

[56] **References Cited**

U.S. PATENT DOCUMENTS

D. 291,982	9/1987	Simons et al.	D12/96
D. 305,746	1/1990	Allendorph	D12/96
D. 307,731	5/1990	Kerney et al.	D12/96
D. 308,032	5/1990	Kerney et al.	D12/96
D. 312,805	12/1990	Malowe et al.	D12/96
D. 320,583	10/1991	Simons et al.	D12/96
D. 329,214	9/1992	Marlowe et al.	D12/96
D. 399,791	10/1998	Hellhake et al.	D12/96
D. 399,792	10/1998	Hellhake et al.	D12/96
D. 406,553	3/1999	Hellhake et al.	D12/96

D. 411,140	6/1999	Meryman	D12/96
4,991,906	2/1991	Fingerle	296/108.02
5,560,673	10/1996	Angelo	296/190

Primary Examiner—Melody N. Brown
Attorney, Agent, or Firm—Sidley & Austin

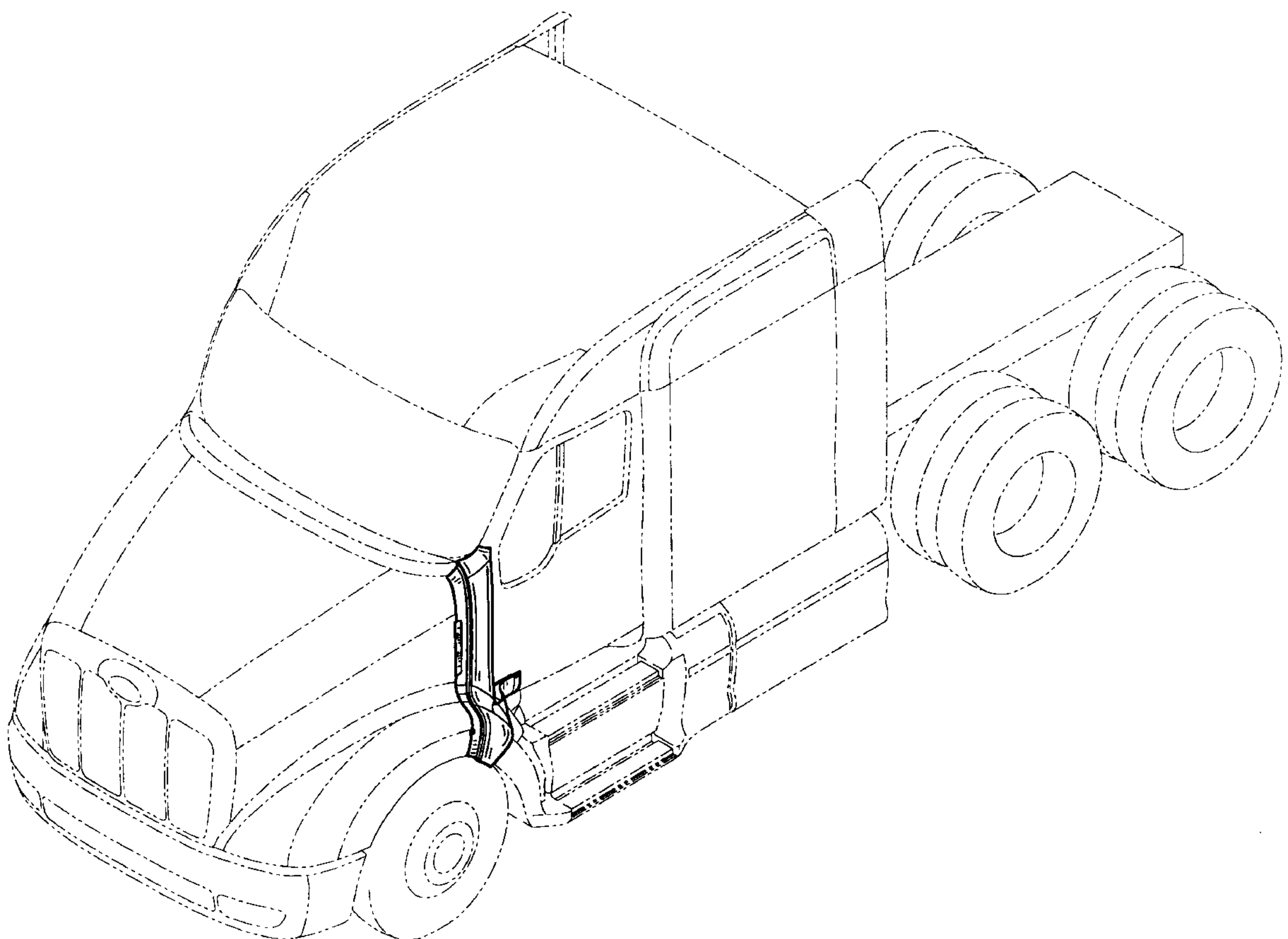
[57] **CLAIM**

The ornamental design for a pillar cover for a truck, as shown and described.

DESCRIPTION

FIG. 1 is a perspective view of a pillar cover for a truck showing our new design;
 FIG. 2 is a left side view thereof;
 FIG. 3 is a front view thereof;
 FIG. 4 is a right side view thereof;
 FIG. 5 is a back view thereof;
 FIG. 6 is a top view thereof;
 FIG. 7 is a bottom view thereof;
 FIG. 8 is a reduced perspective view of our design; and,
 FIG. 9 is a reduced perspective view of a right side pillar cover for a truck showing another embodiment of our novel design which is identical to the embodiment of FIGS. 1–8 except it is mirror symmetrical.
 The broken line showing of adjacent truck parts is only for showing the surrounding environment and is not part of the claimed design.

1 Claim, 4 Drawing Sheets



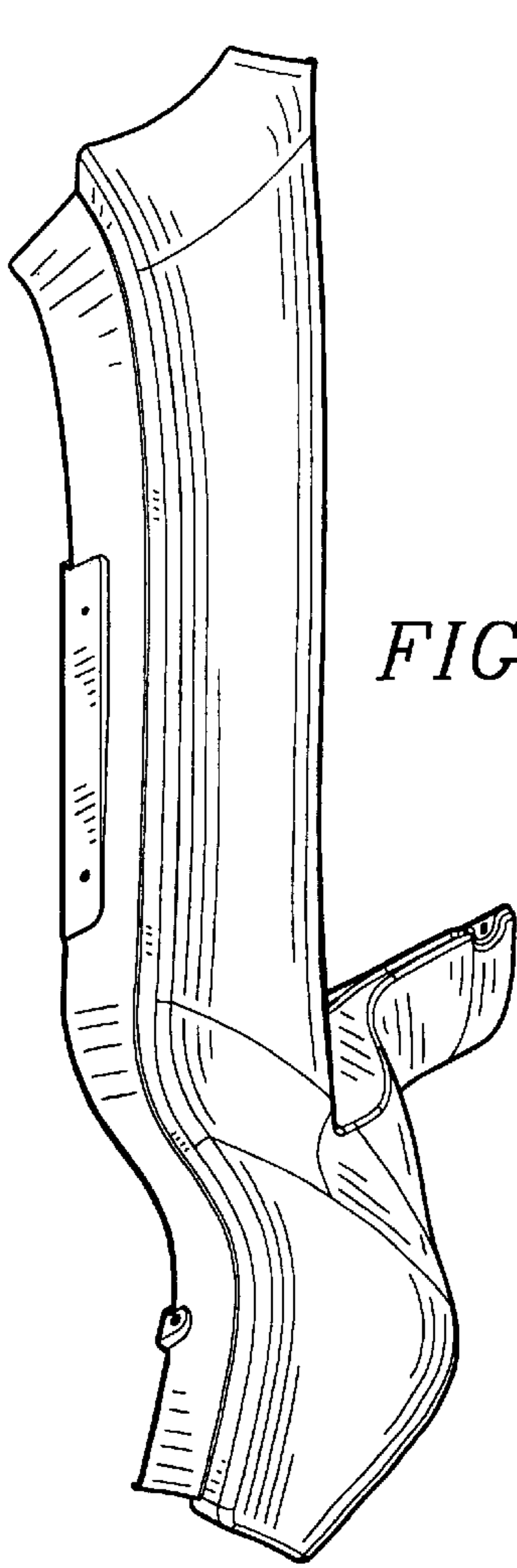


FIG. 1

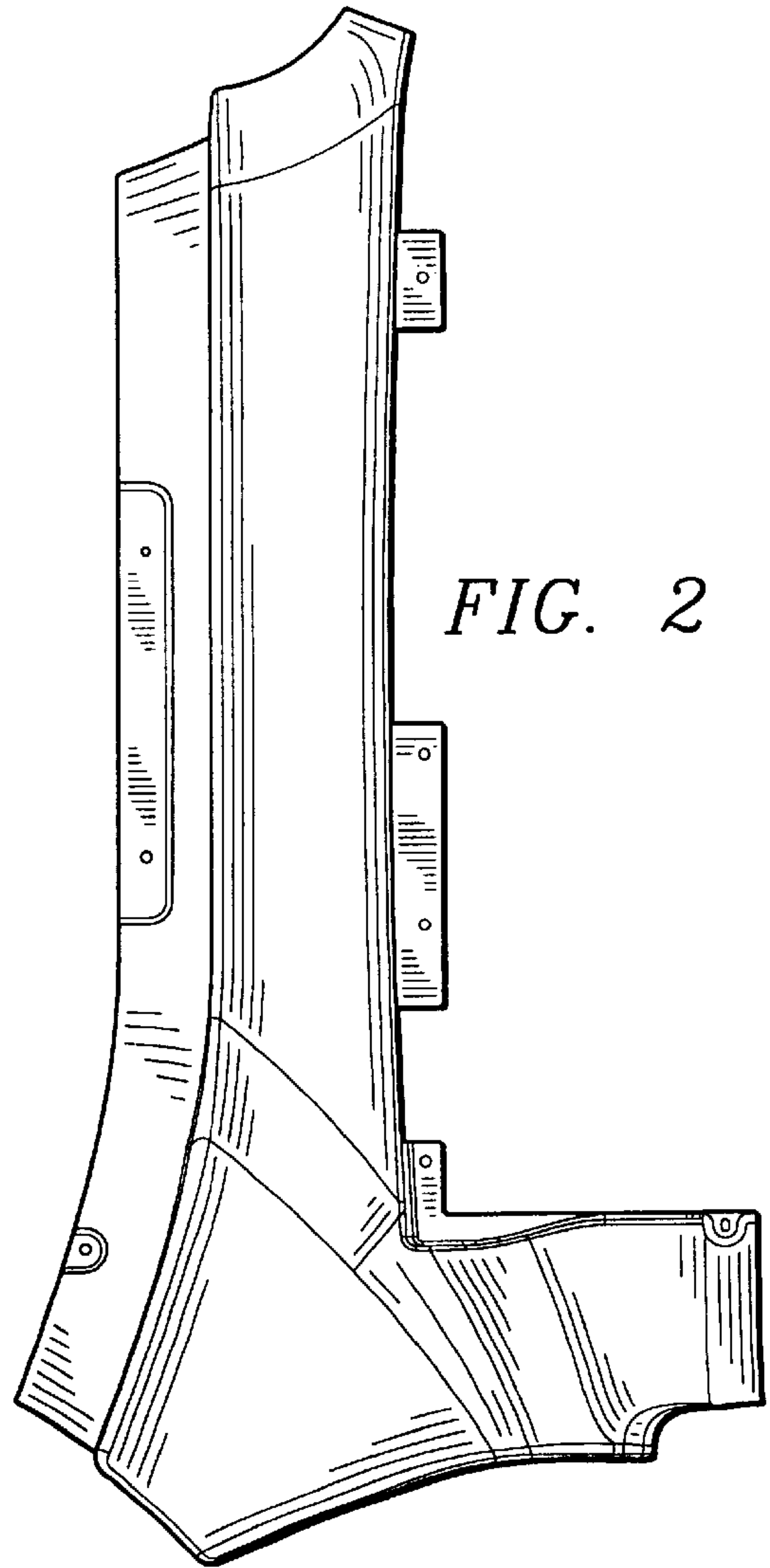


FIG. 2

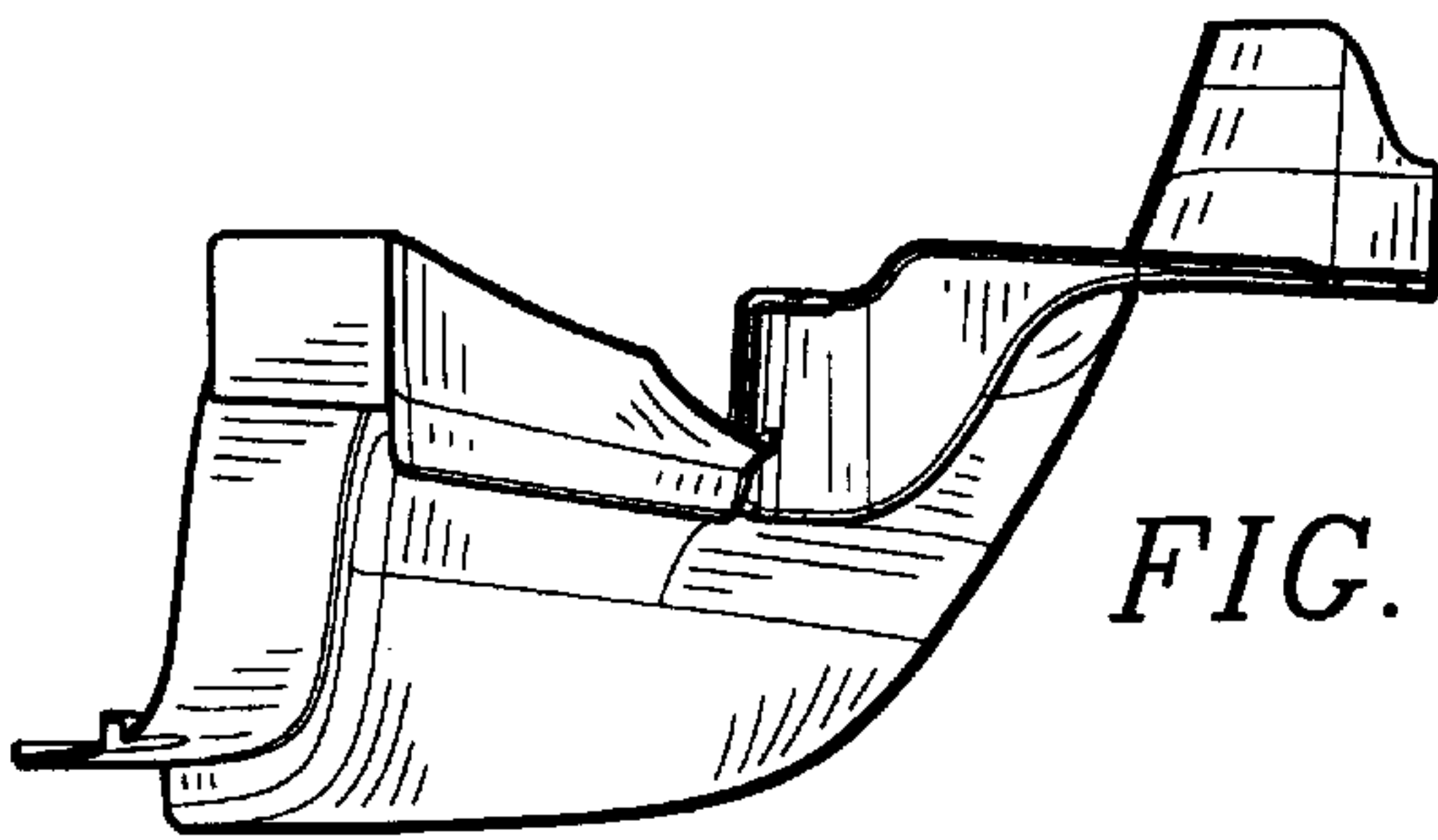


FIG. 6

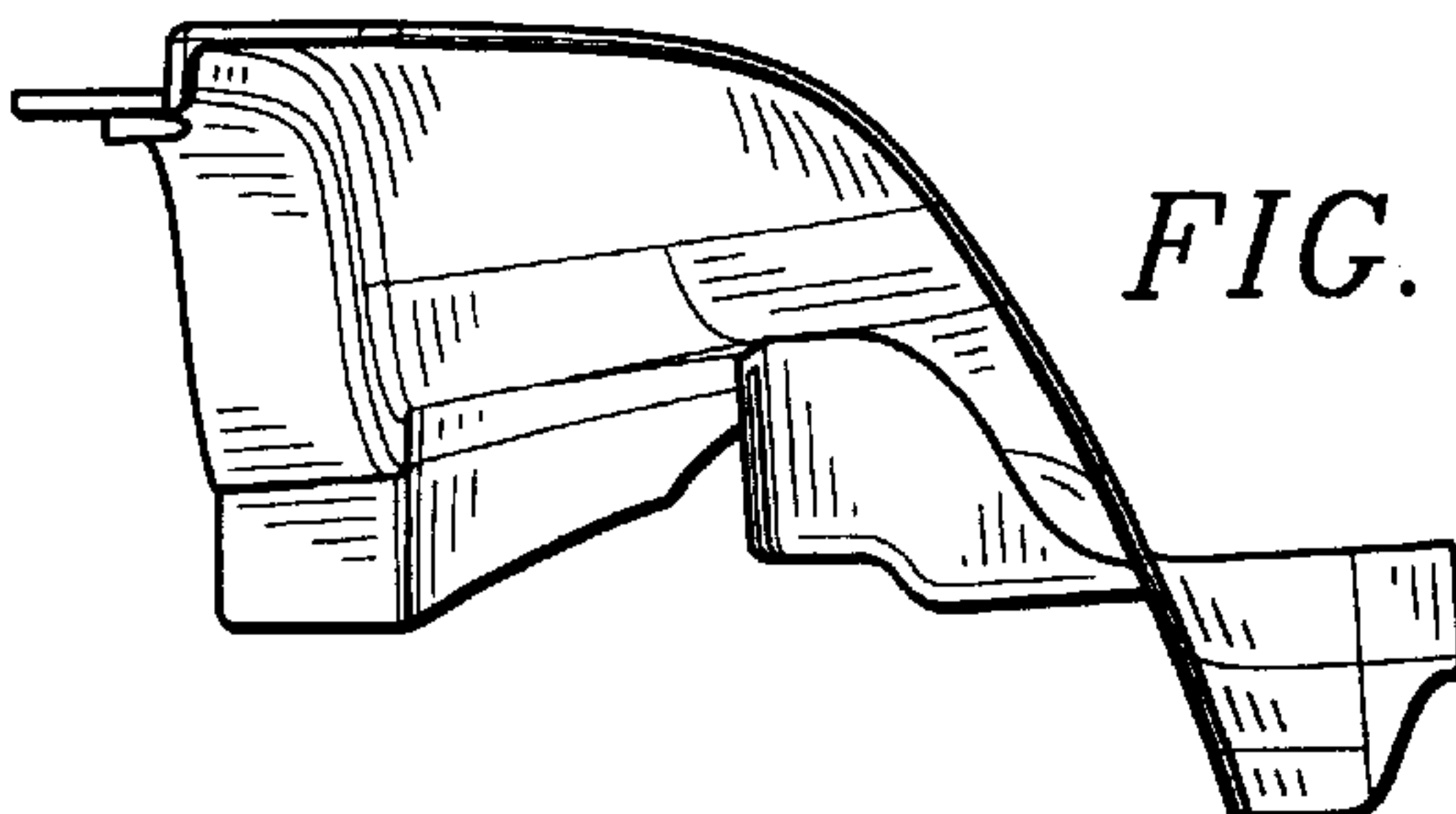


FIG. 7

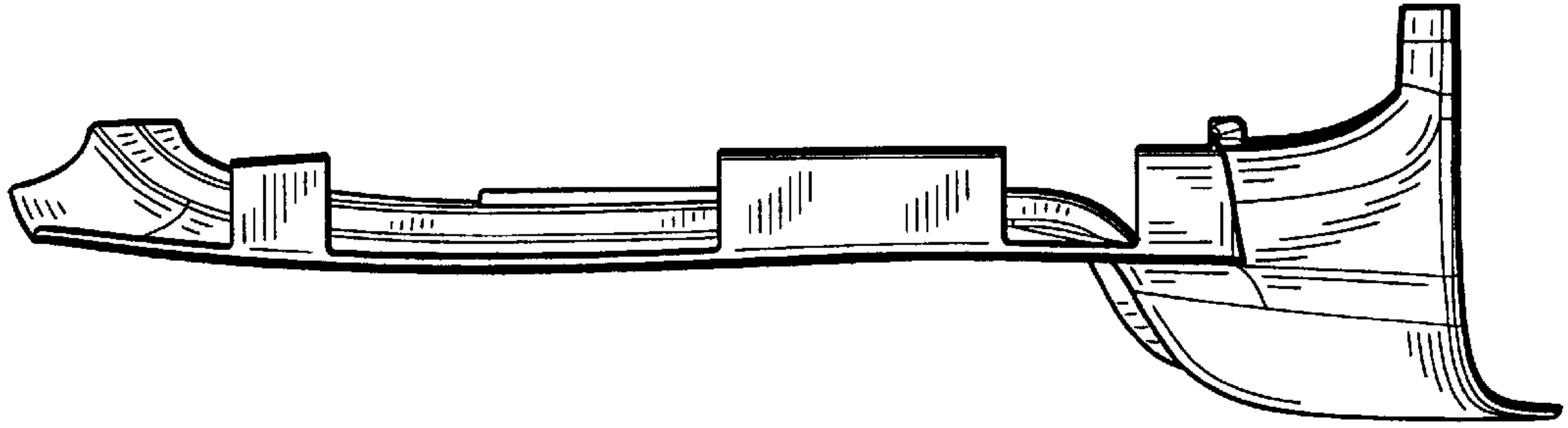


FIG. 5

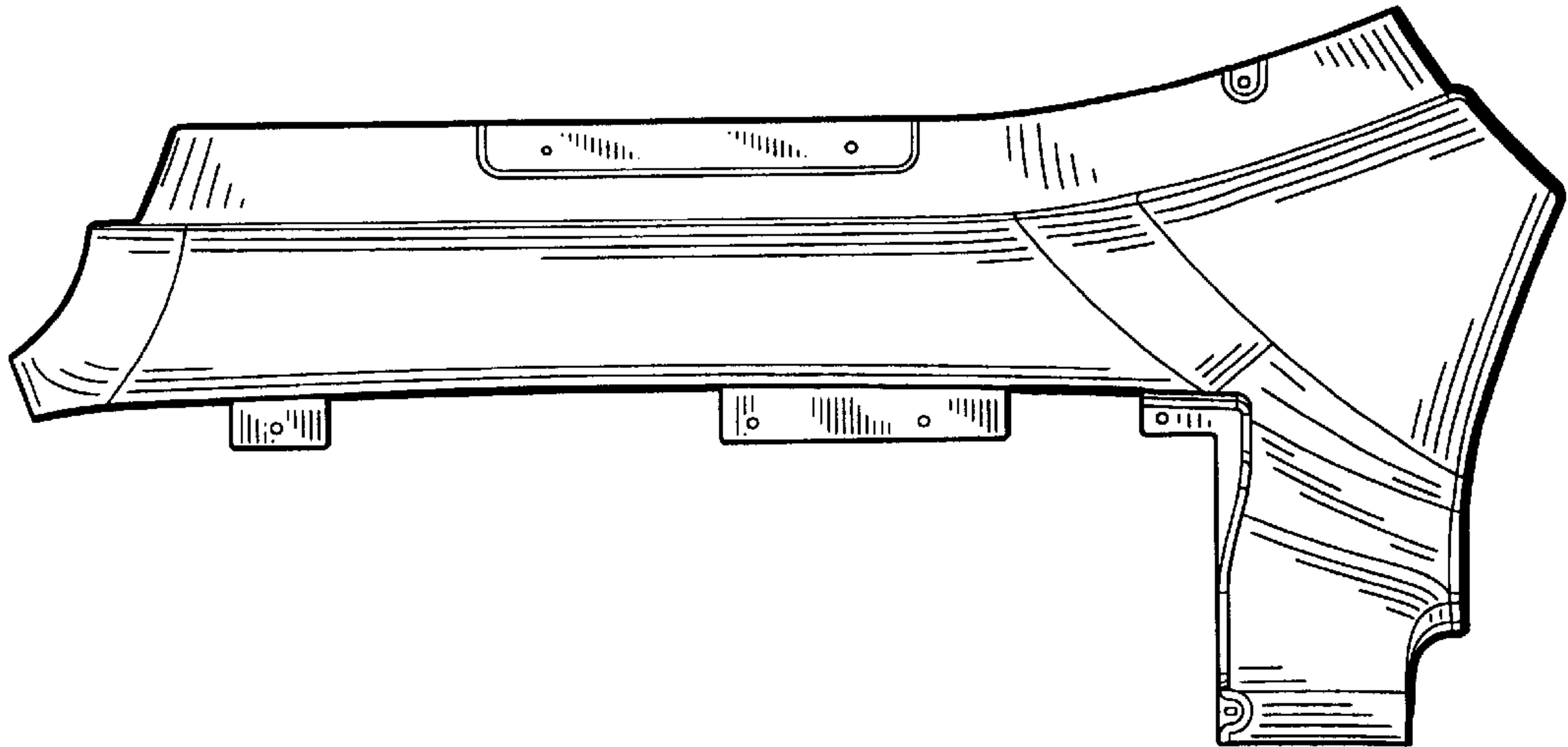


FIG. 4

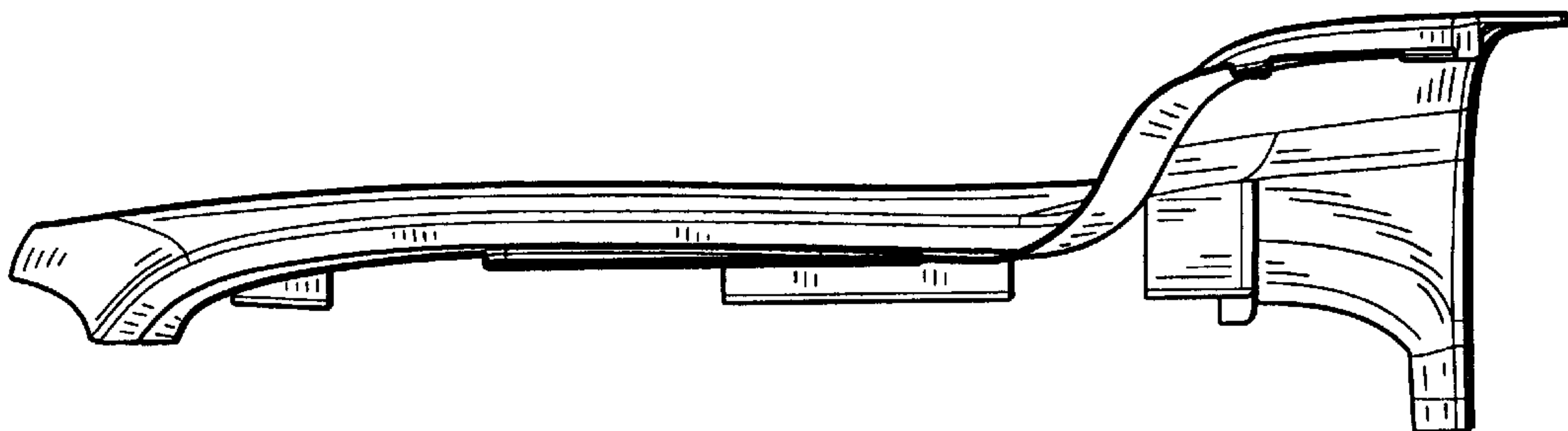


FIG. 3

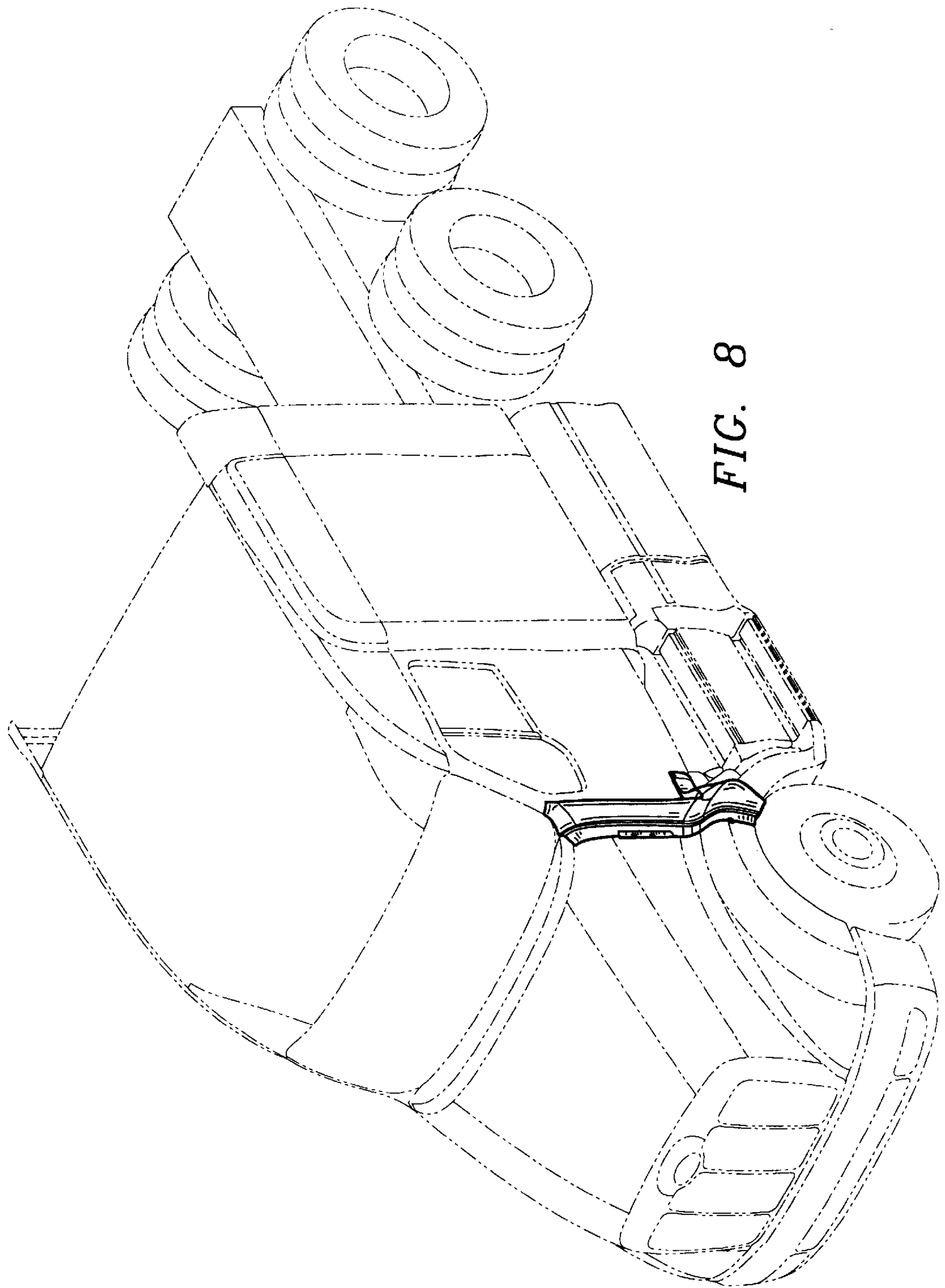


FIG. 8

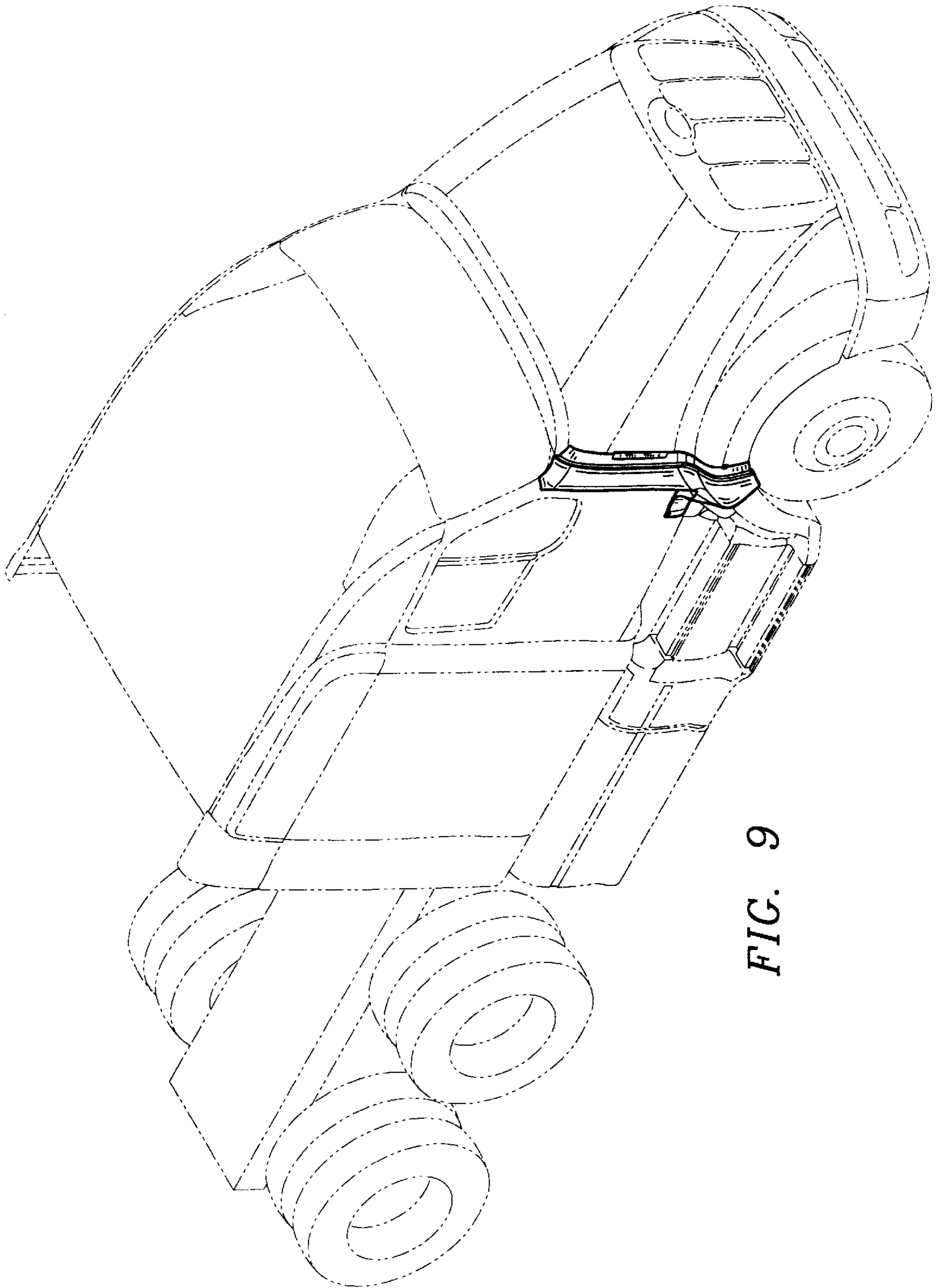


FIG. 9