



US00D431802S

United States Patent [19]

Sintorn et al.

[11] Patent Number: **Des. 431,802**

[45] Date of Patent: **** Oct. 10, 2000**

[54] **PISTON**

[75] Inventors: **Torkel Sintorn**, Stockholm; **Oscar Löfgren**, Upplands Väsby, both of Sweden

[73] Assignee: **Ohlins Racing AB**, Sweden

[**] Term: **14 Years**

[21] Appl. No.: **29/086,675**

[22] Filed: **Apr. 17, 1998**

[30] Foreign Application Priority Data

Nov. 17, 1997 [SE] Sweden 97-2476

[51] **LOC (7) Cl.** **12-16**

[52] **U.S. Cl.** **D12/159**

[58] **Field of Search** D15/5; 123/193.6, 123/47 A, 47 R, 50 A, 50 B, 41.35; 92/224, 212; 188/320, 322.15; D12/159, 160, 107, 114; 267/195, 124, 140.11, 141.1, 196

[56] References Cited

U.S. PATENT DOCUMENTS

D. 302,672 8/1989 Veno D12/159
D. 322,969 1/1992 Ballheimer et al. D15/5

D. 377,493 1/1997 Oda et al. D15/5
D. 399,212 10/1998 Roderweiss et al. D15/5
D. 399,462 10/1998 Toffolo et al. D12/159
3,906,923 9/1975 Harker D15/5
4,467,899 8/1984 Mölders et al. 188/320

Primary Examiner—Ralf Seifert
Attorney, Agent, or Firm—Pollock, Vande Sande & Amernick, R.L.L.P.

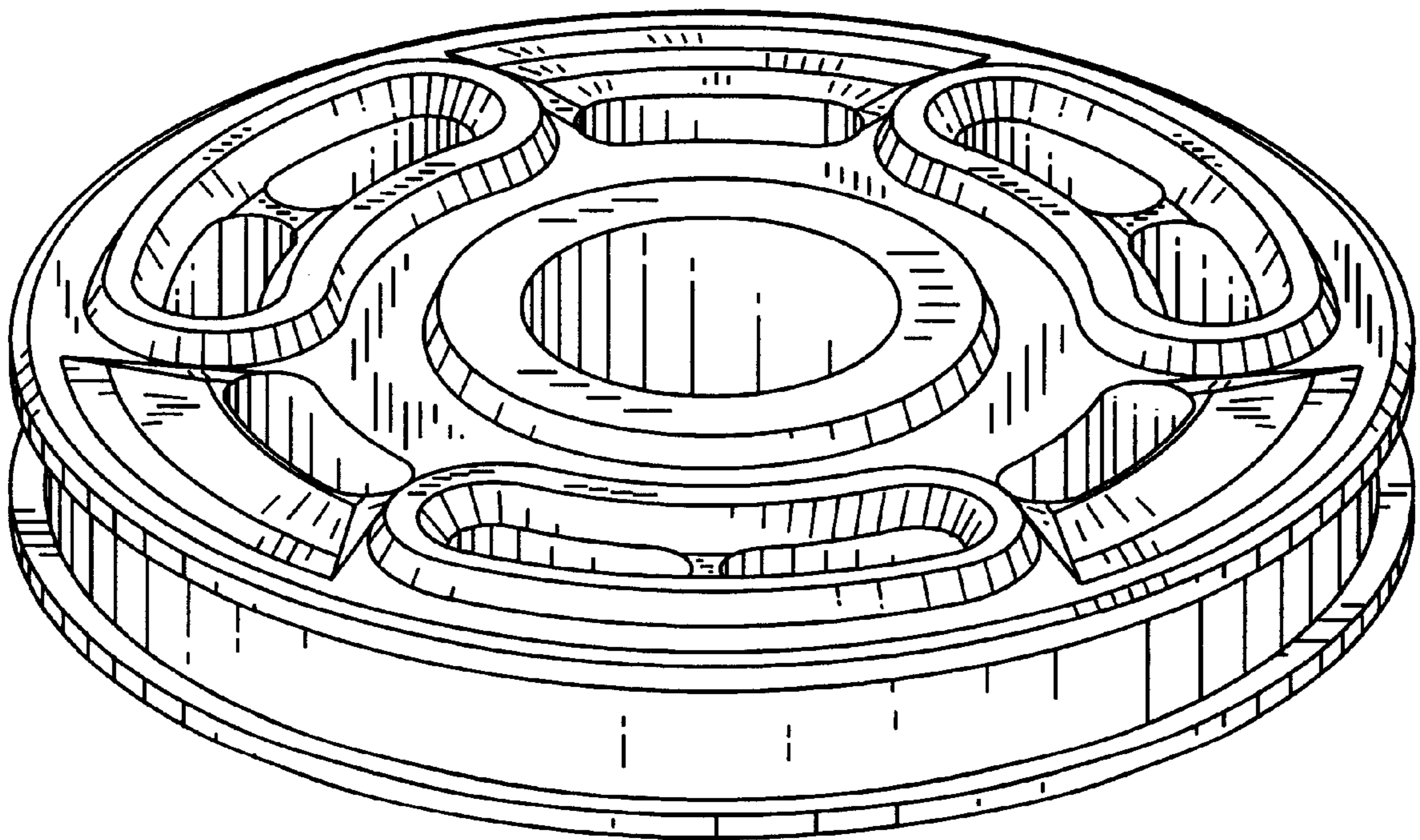
[57] CLAIM

The ornamental design for a piston, as shown and described.

DESCRIPTION

FIG. 1 shows our new design of a piston from top in a horizontal view;
FIG. 2 shows the piston straightly from the side;
FIG. 3 shows the piston from below in a horizontal view;
FIG. 4 shows the piston in a first perspective view obliquely from above;
FIG. 5 shows the piston in a first perspective view obliquely from below;
FIG. 6 shows the piston in a second perspective view obliquely from above; and,
FIG. 7 shows the piston in a second perspective view obliquely from below.

1 Claim, 7 Drawing Sheets



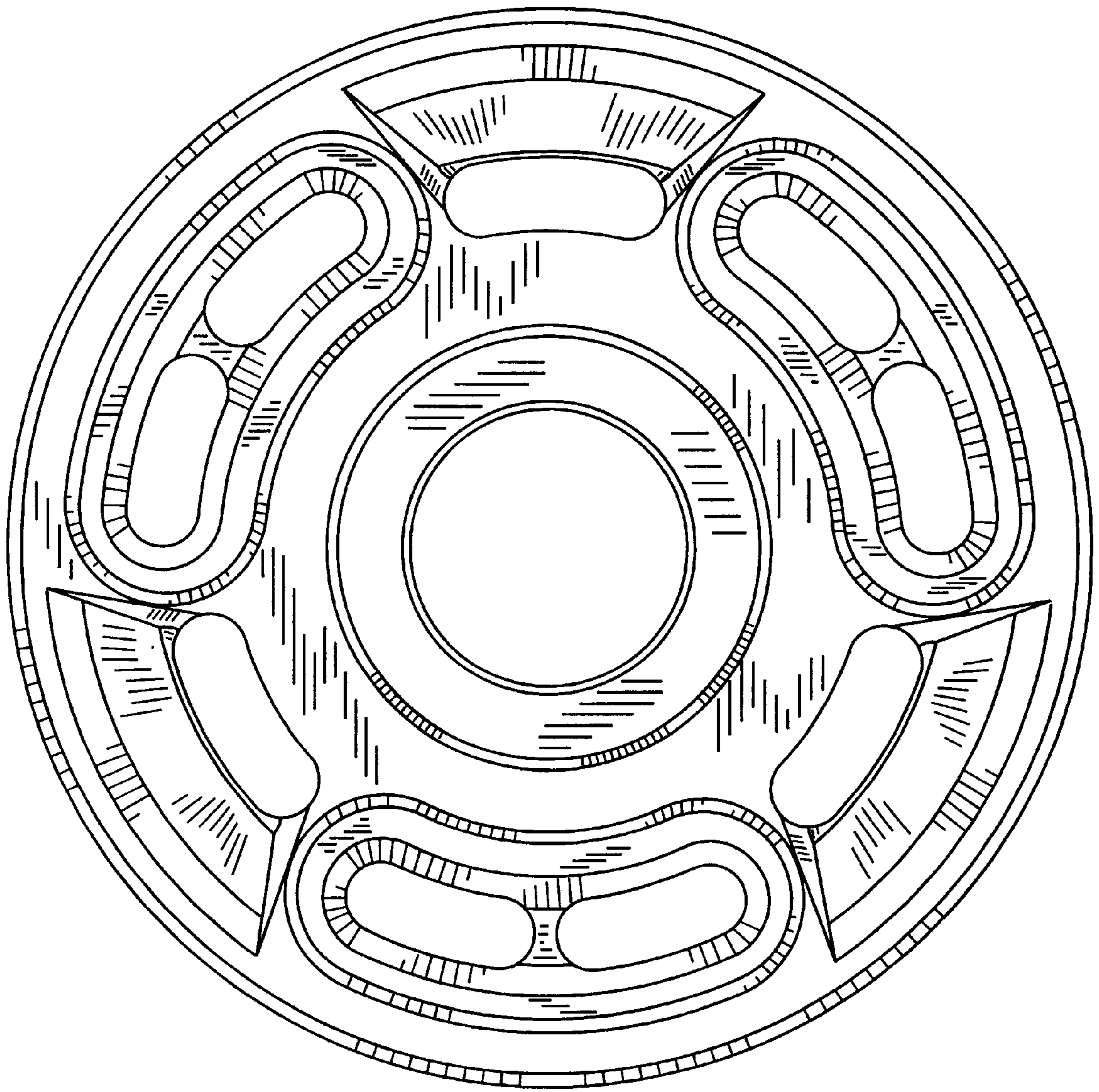


FIG. 1

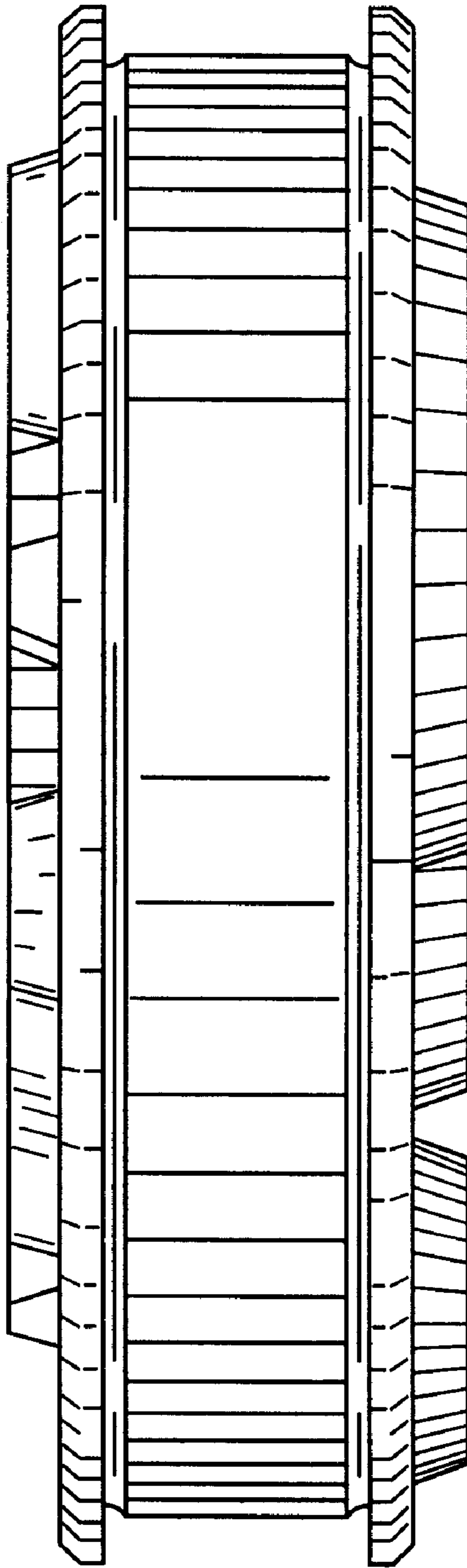


FIG. 2

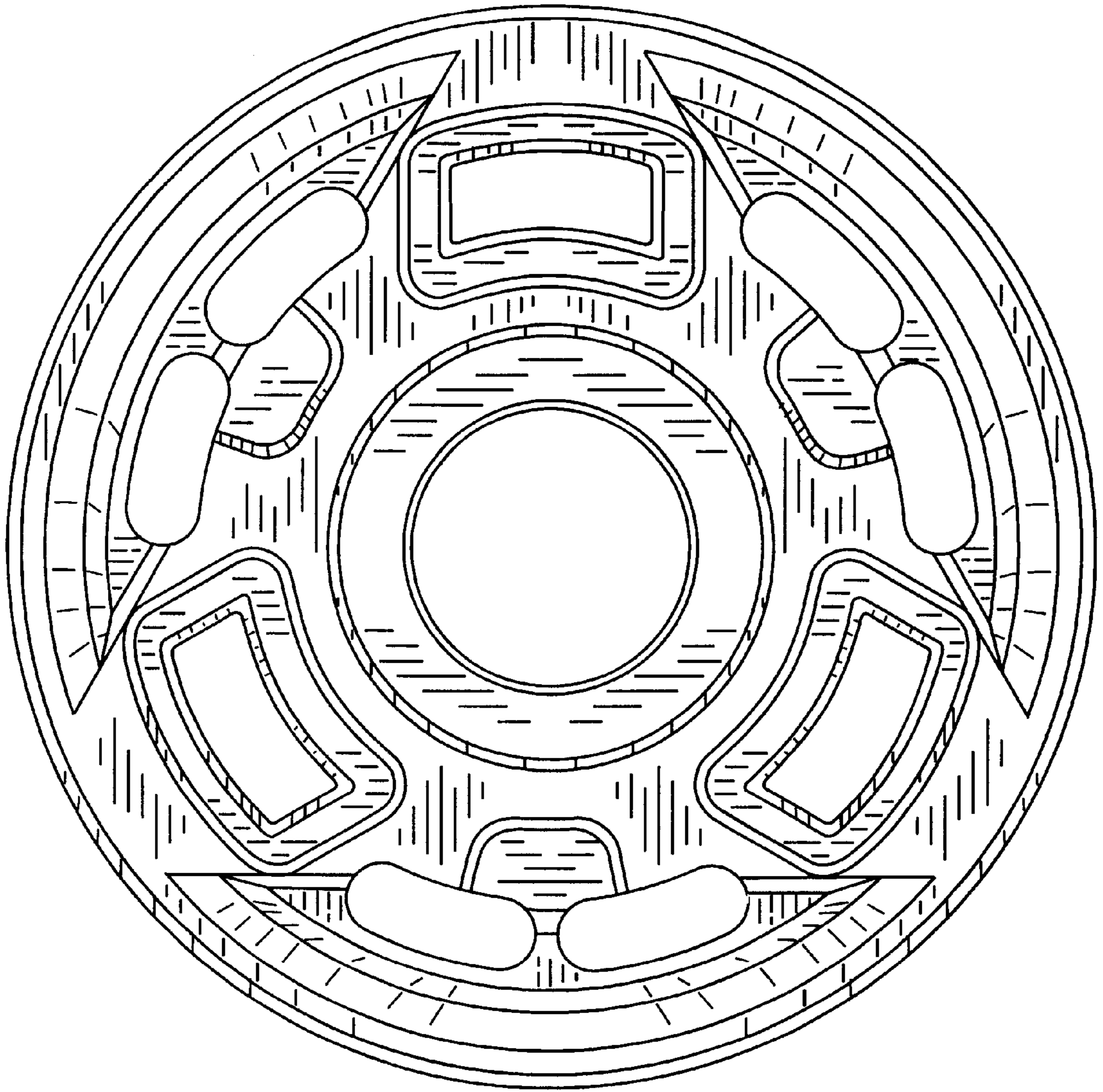


FIG. 3

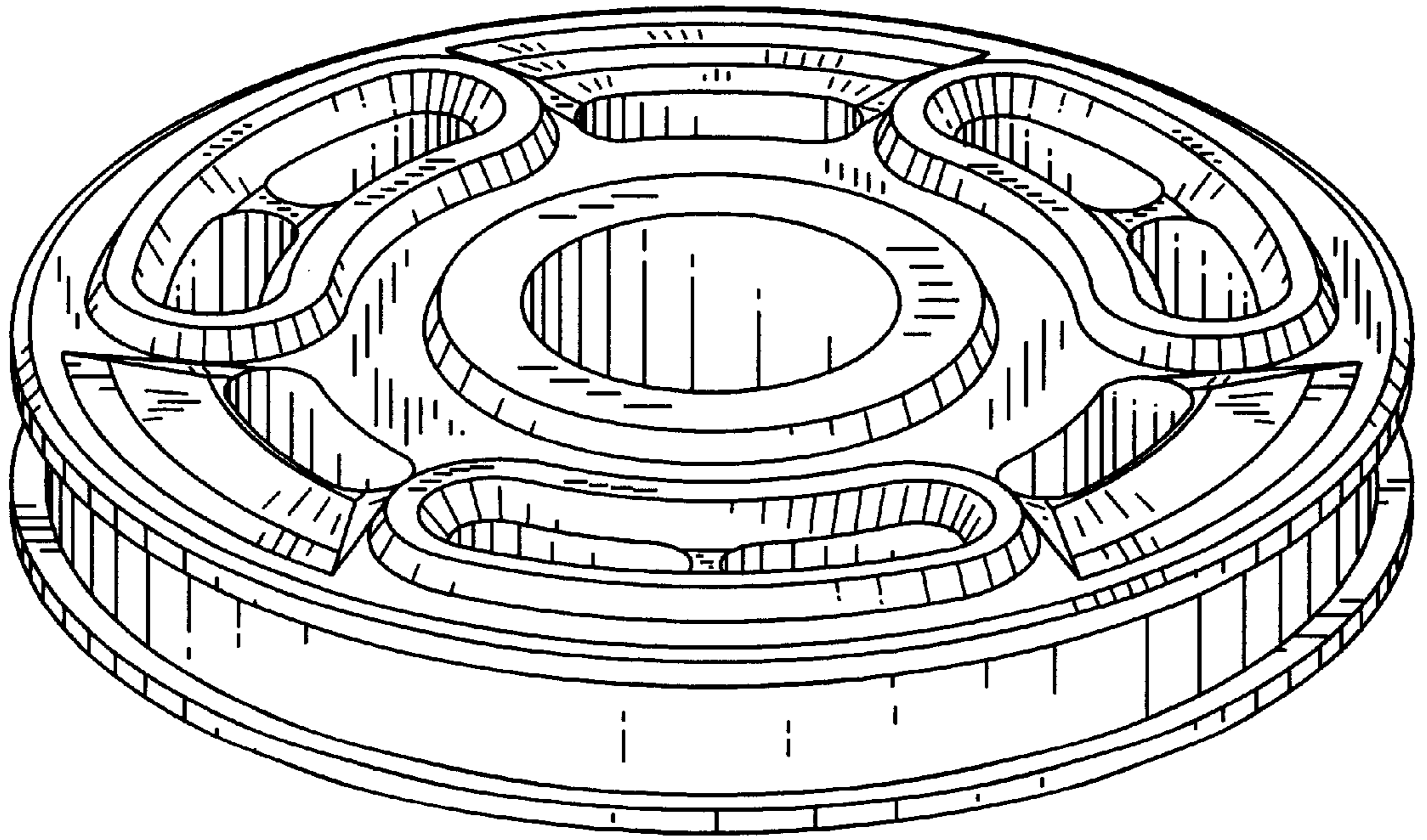


FIG. 4

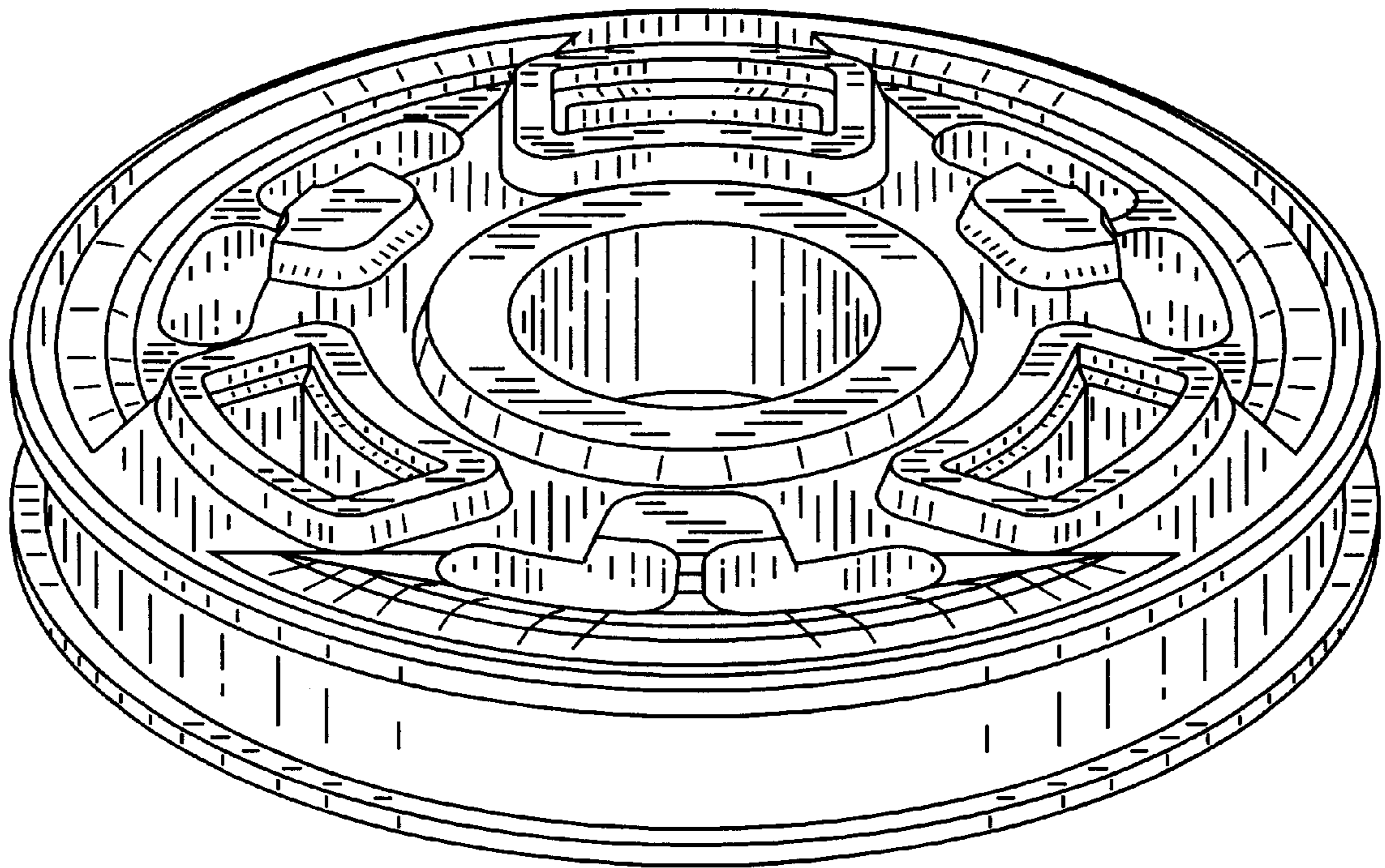


FIG. 5

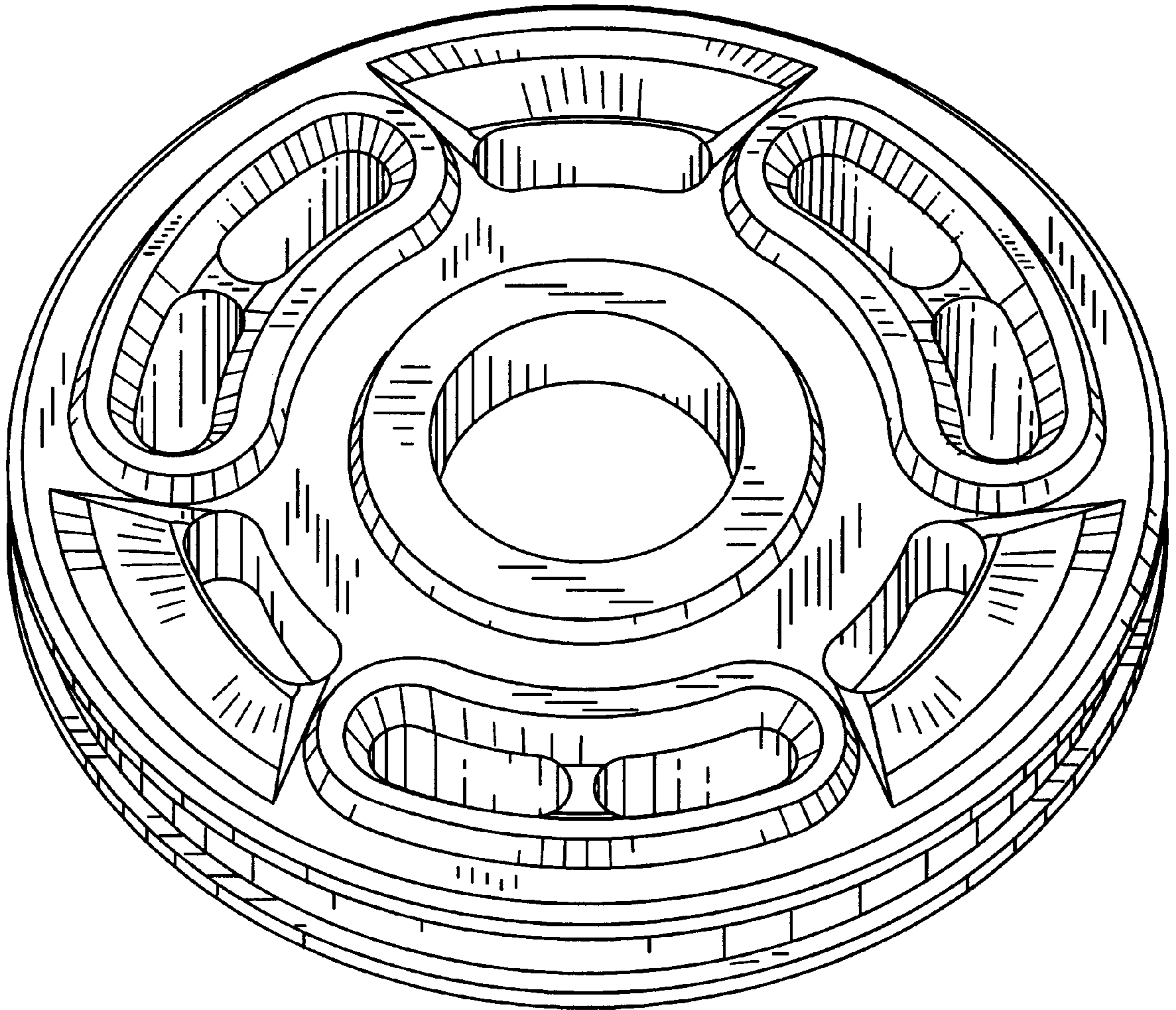


FIG. 6

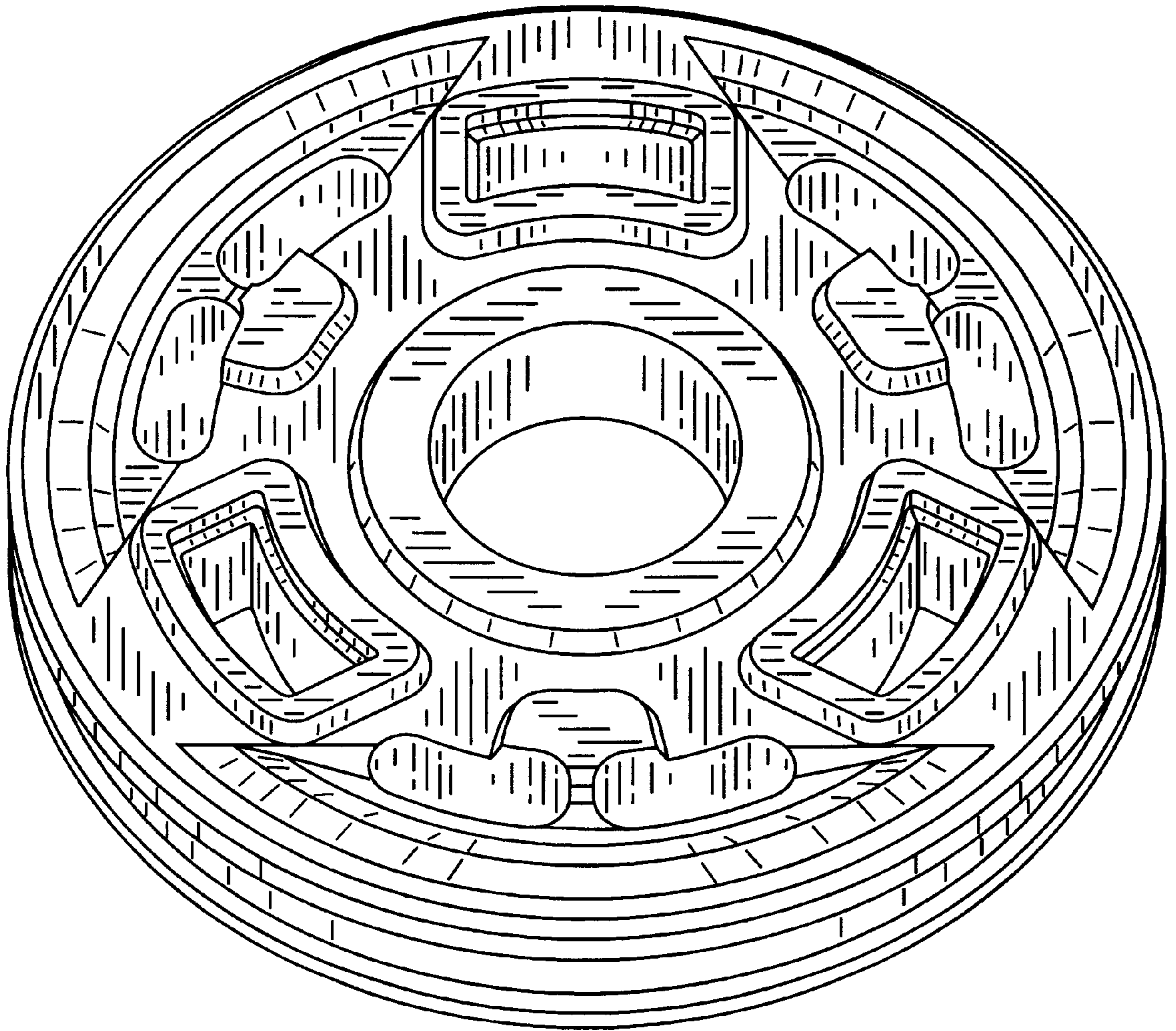


FIG. 7