



US00D431798S

# United States Patent [19]

Strycker et al.

[11] Patent Number: Des. 431,798

[45] Date of Patent: \*\* Oct. 10, 2000

[54] BABY STROLLER FRAME

[75] Inventors: **Jana P. Strycker; Philip G. Wessells**, both of Mill Valley; **Brett Dickson**, Menlo Park; **Brian Spitz**, Redwood City, all of Calif.

[73] Assignee: **Gozo LLC**, Mill Valley, Calif.

[\*\*] Term: **14 Years**

[21] Appl. No.: **29/109,707**

[22] Filed: **Aug. 20, 1999**

[51] LOC (7) Cl. .... **12-12**

[52] U.S. Cl. .... **D12/133; D12/129**

[58] Field of Search ..... **D12/128-133; 280/62, 641, 642, 644, 647, 650, 657, 658, 250.1**

### [56] References Cited

#### U.S. PATENT DOCUMENTS

D. 369,992	5/1996	Baechler	.....	D12/129
D. 370,194	5/1996	Baechler et al.	.....	D12/129
D. 371,094	6/1996	Hinkston	.....	D12/129
6,036,220	3/2000	Zhen	.....	280/642

*Primary Examiner*—Kay H. Chin  
*Attorney, Agent, or Firm*—Burns, Doane, Swecker & Mathis, LLP

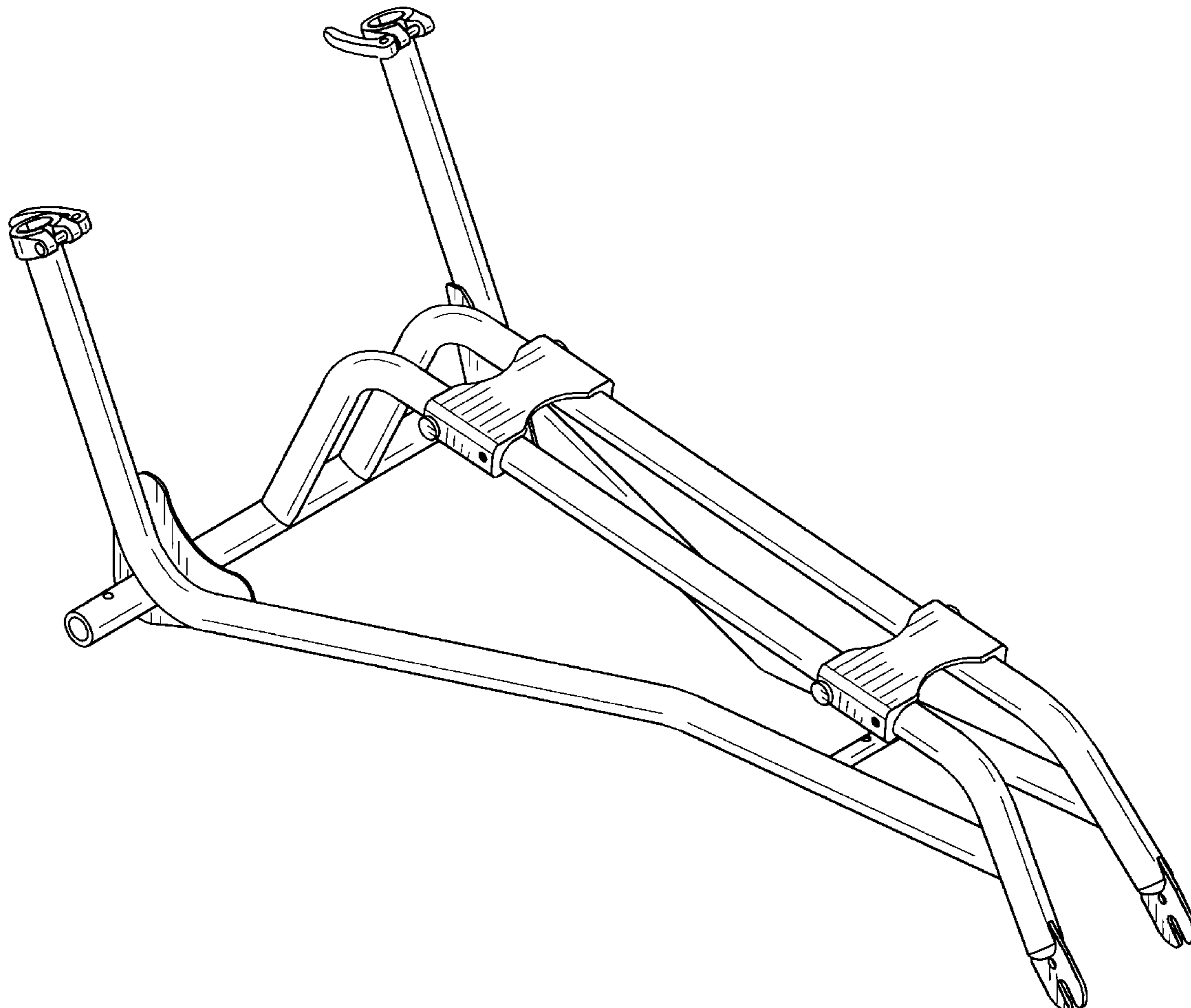
### [57] CLAIM

The ornamental design for a baby stroller frame, as shown and described.

### DESCRIPTION

FIG. 1 is a perspective view of a baby stroller frame showing our new design;  
 FIG. 2 is a side elevational view thereof, the opposite side view being a mirror image of that shown;  
 FIG. 3 is a top plan view thereof;  
 FIG. 4 is a front elevational view thereof;  
 FIG. 5 is a rear elevational view thereof;  
 FIG. 6 is a bottom plan view thereof;  
 FIG. 7 is a front perspective view of the baby stroller frame in the context of a stroller; and,  
 FIG. 8 is a front perspective view of the baby stroller frame in the context of a tandem stroller.  
 The broken lines shown in FIGS. 7 and 8 are for illustrative purposes only and form no part of the claimed design.

**1 Claim, 5 Drawing Sheets**



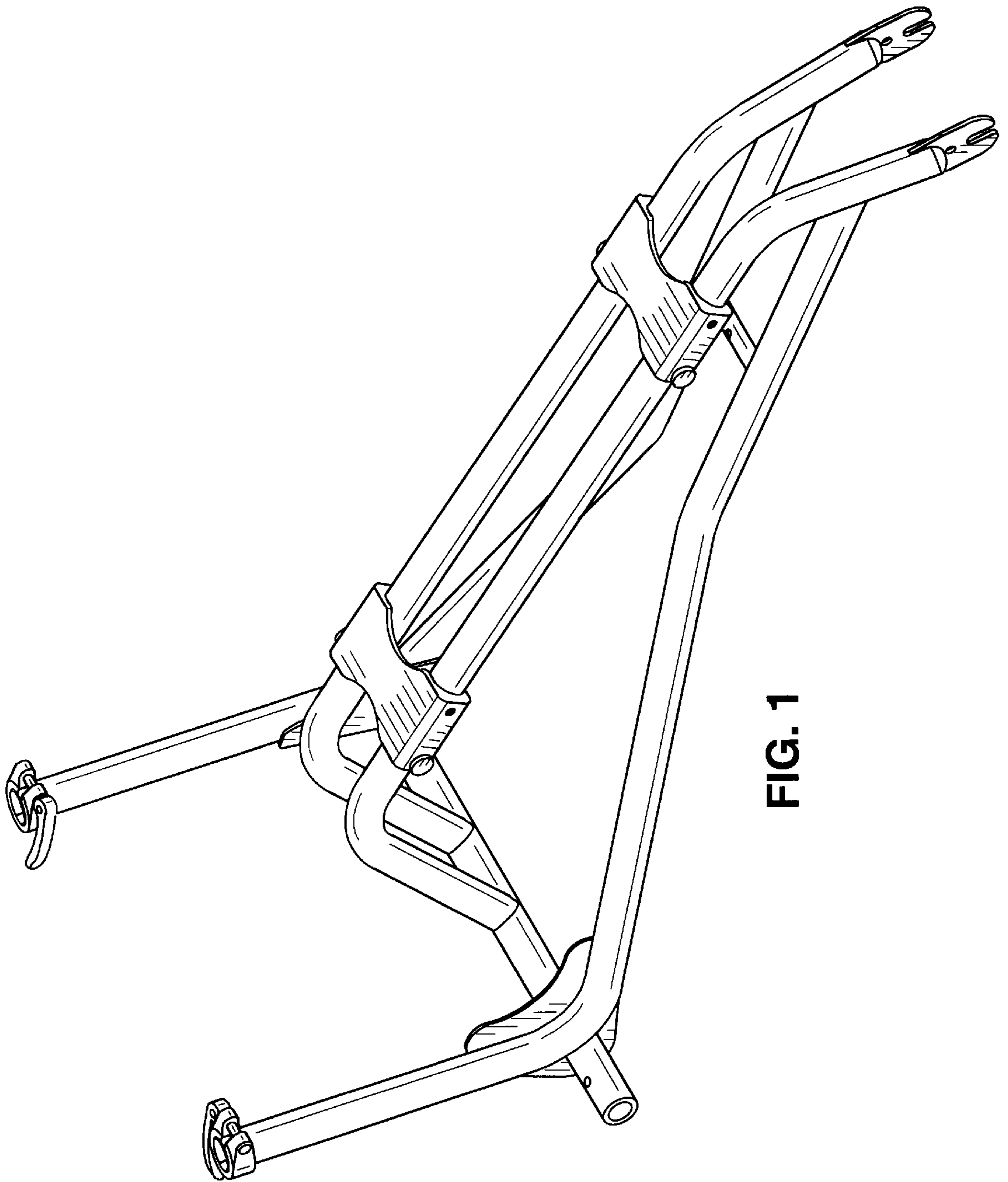


FIG. 1

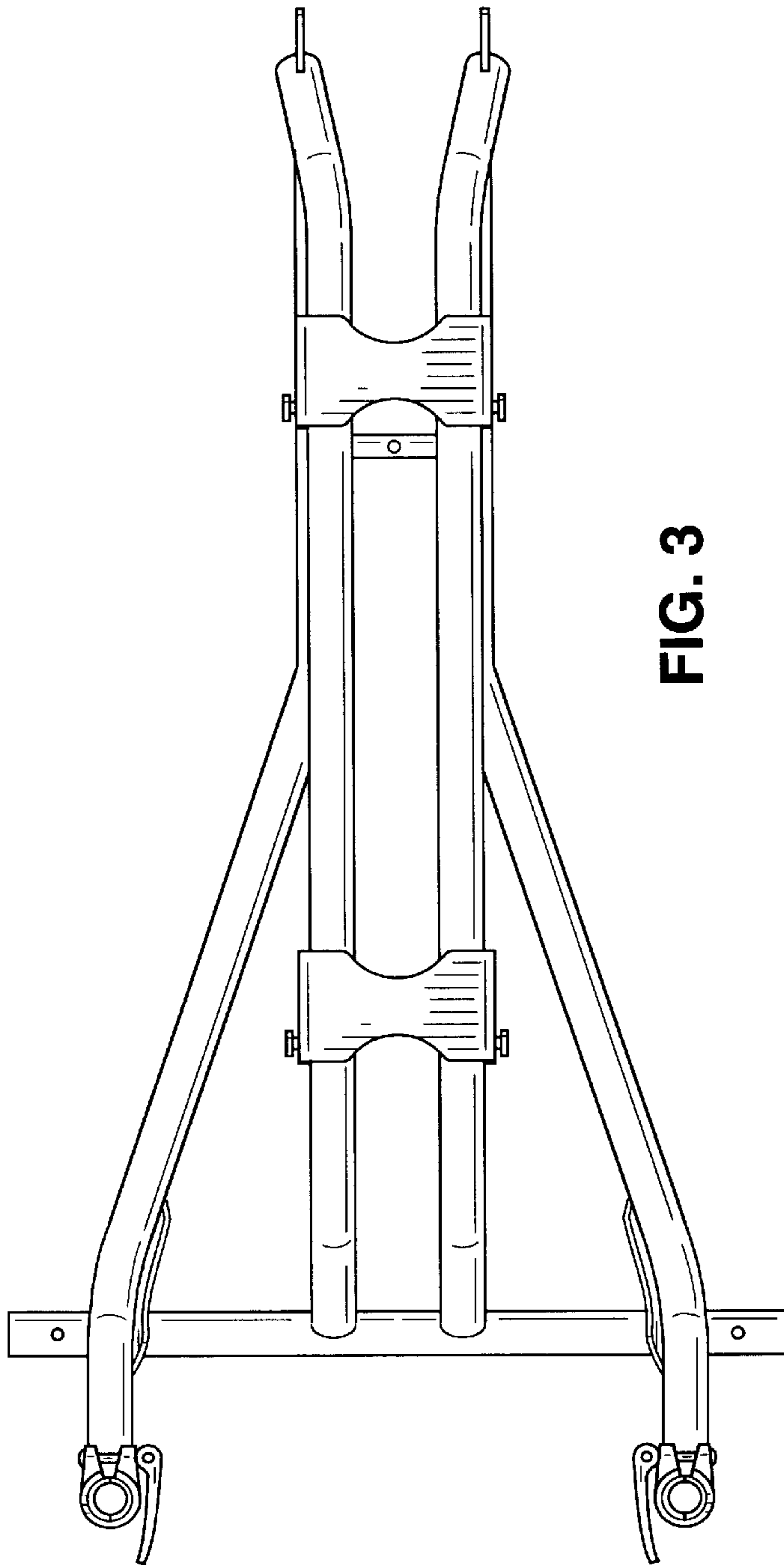


FIG. 3

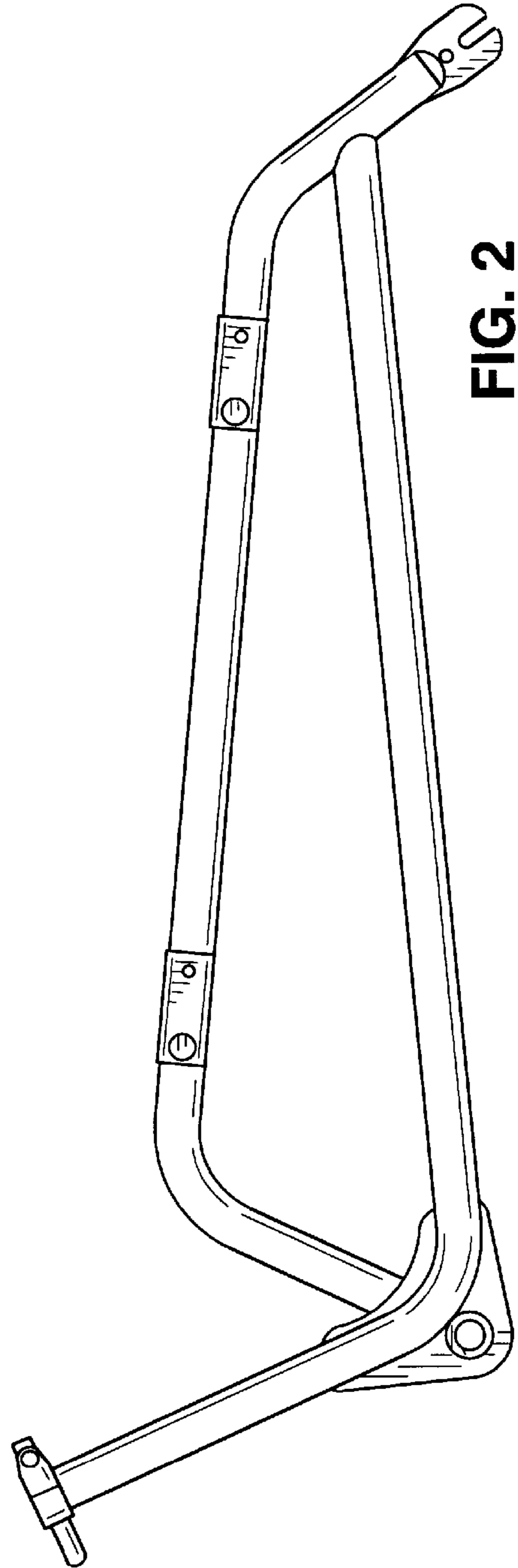


FIG. 2

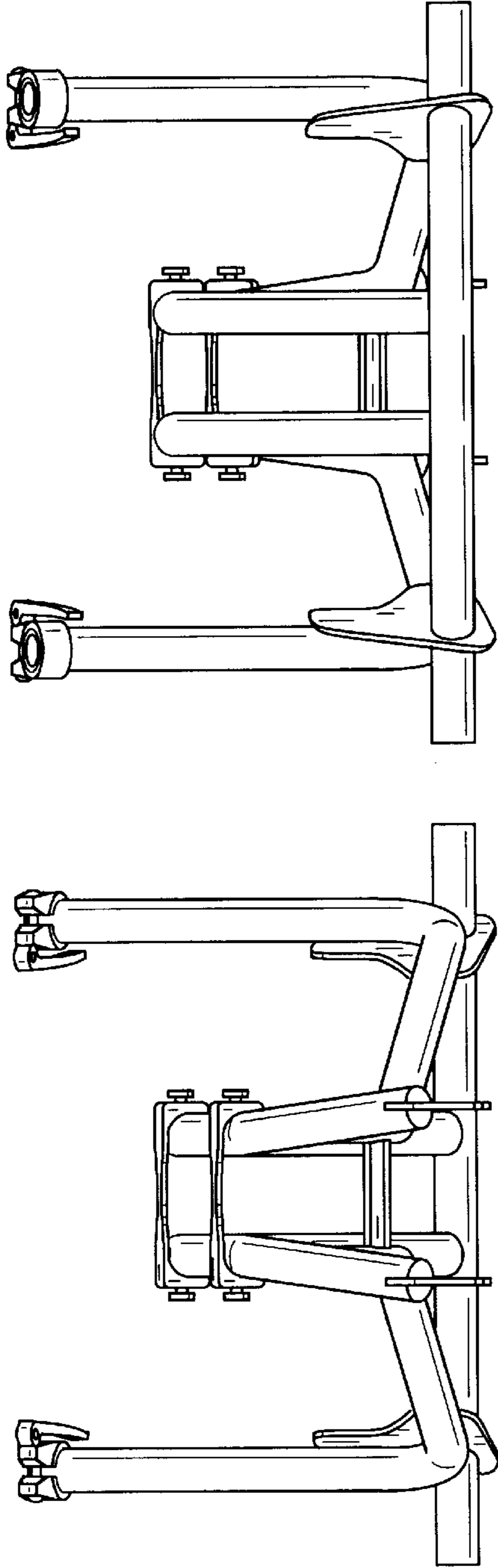


FIG. 4

FIG. 5

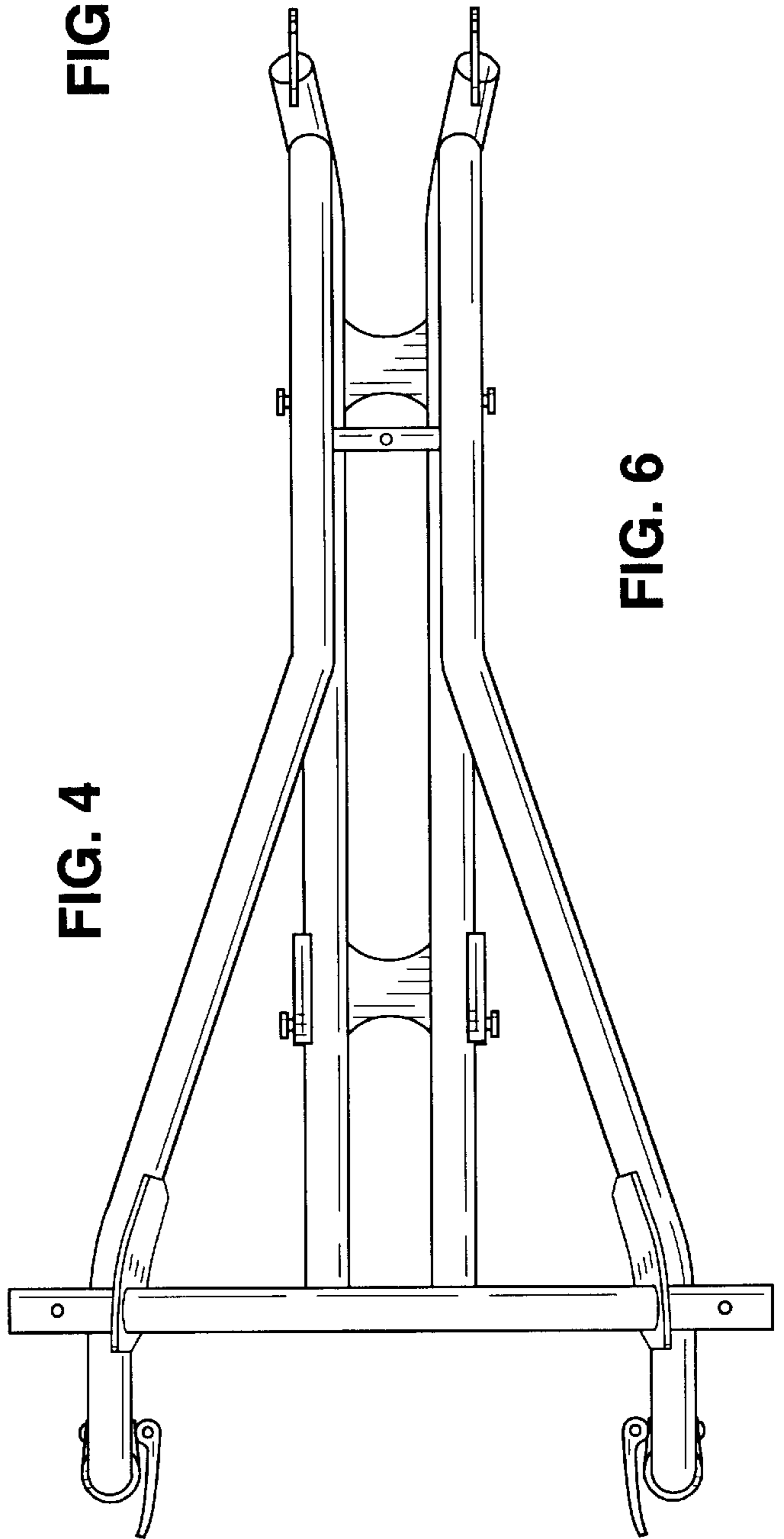


FIG. 6

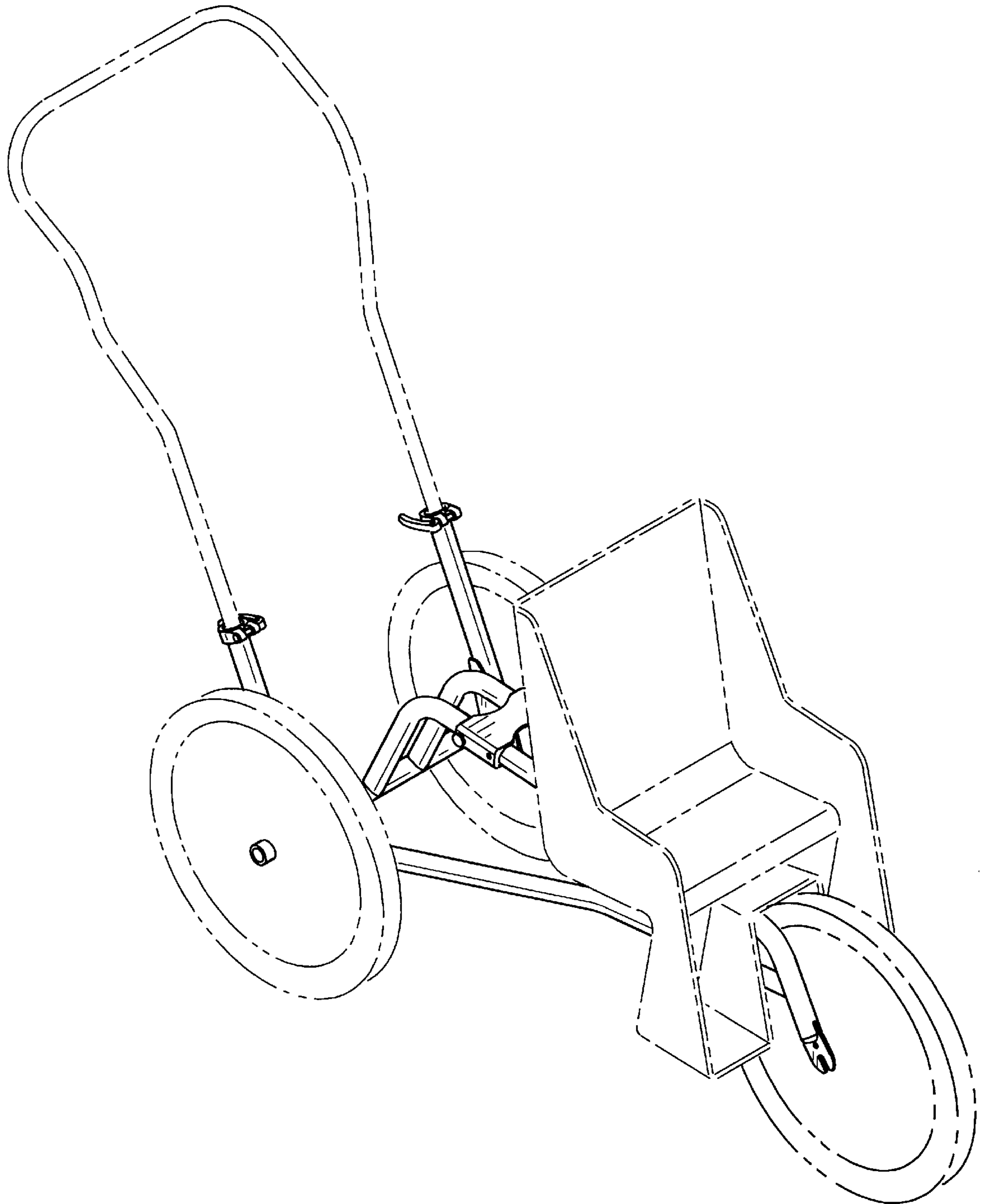


FIG. 7



