



US00D431775S

# United States Patent [19]

Plattner et al.

[11] Patent Number: **Des. 431,775**

[45] Date of Patent: **\*\* Oct. 10, 2000**

[54] **SAMPLE BOX**

[75] Inventors: **Hermann Plattner; Monika E. Oberleit; Ute Nalter**, all of Schwaz; **Wolfgang Huber**, Stans; **Peter Tobias**, Schwaz; **Harald Helletsberger**, Terfens; **Anselm Kaspar**, Weerberg, all of Austria

[73] Assignee: **Tyrolit Schleifmittelwerke Swarovski, K.G.**, Austria

[\*\*] Term: **14 Years**

[21] Appl. No.: **29/110,066**

[22] Filed: **Aug. 30, 1999**

[51] **LOC (7) Cl.** ..... **09-07**

[52] **U.S. Cl.** ..... **D9/415**

[58] **Field of Search** ..... D9/414, 415, 418, D9/422, 423, 432, 346; 206/45.28, 45.29, 45.3, 736, 751, 775, 806; 229/172, 174, 939, 800, 126, 147, 141; D6/553, 773, 774; 211/126.1, 126.5, 128.1

[56] **References Cited**

**U.S. PATENT DOCUMENTS**

D. 70,576 7/1926 Peruzzi ..... D9/415

D. 292,965	12/1987	Fein	.....	D9/415
D. 294,805	3/1988	Boyer	.....	D9/415
D. 355,598	2/1995	Aronhalt	.....	D9/415
642,182	1/1900	Webb	.....	229/147
1,649,211	11/1927	Bitzer	.....	206/45.28 X
2,330,927	10/1943	Rous et al.	.....	206/45.29
4,011,943	3/1977	Galli et al.	.....	211/128.1 X

*Primary Examiner*—Prabhakar Deshmukh  
*Attorney, Agent, or Firm*—Robert D. Varitz, PC

[57] **CLAIM**

The ornamental design for sample box, as shown and described.

**DESCRIPTION**

FIG. 1 is a perspective view of an ornamental design for a sample box showing our new design.

FIG. 2 is a left side elevation thereof, which is a mirror image of a right side elevation thereof.

FIG. 3 is a front elevation thereof.

FIG. 4 is a bottom plan view thereof.

FIG. 5 is a rear elevation thereof; and,

FIG. 6 is a top plan view thereof.

**1 Claim, 3 Drawing Sheets**

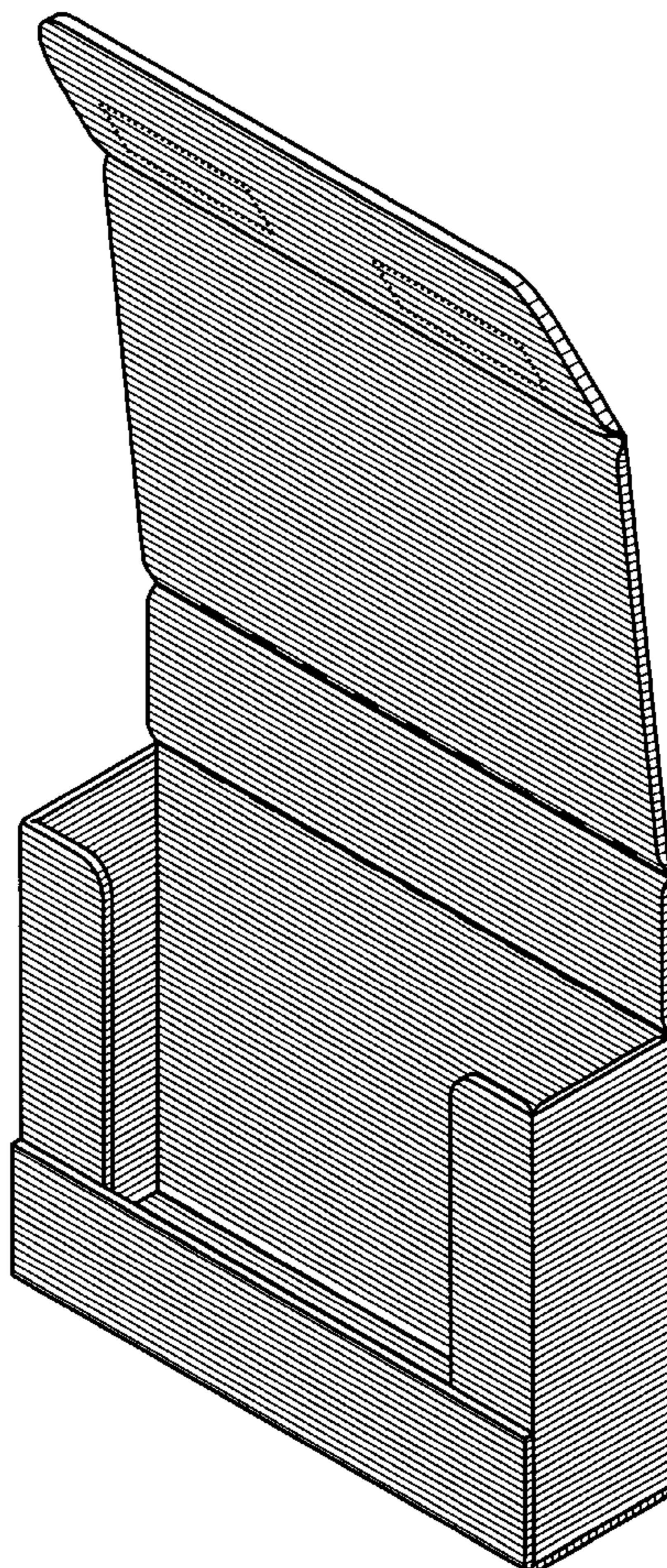


Fig. 1

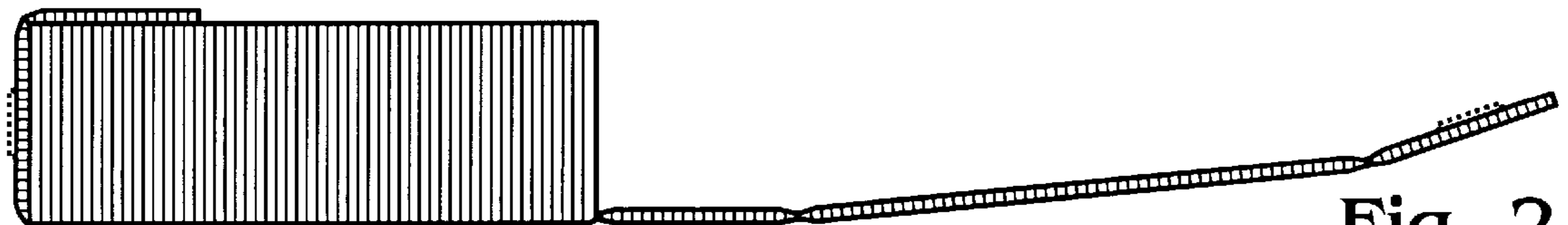
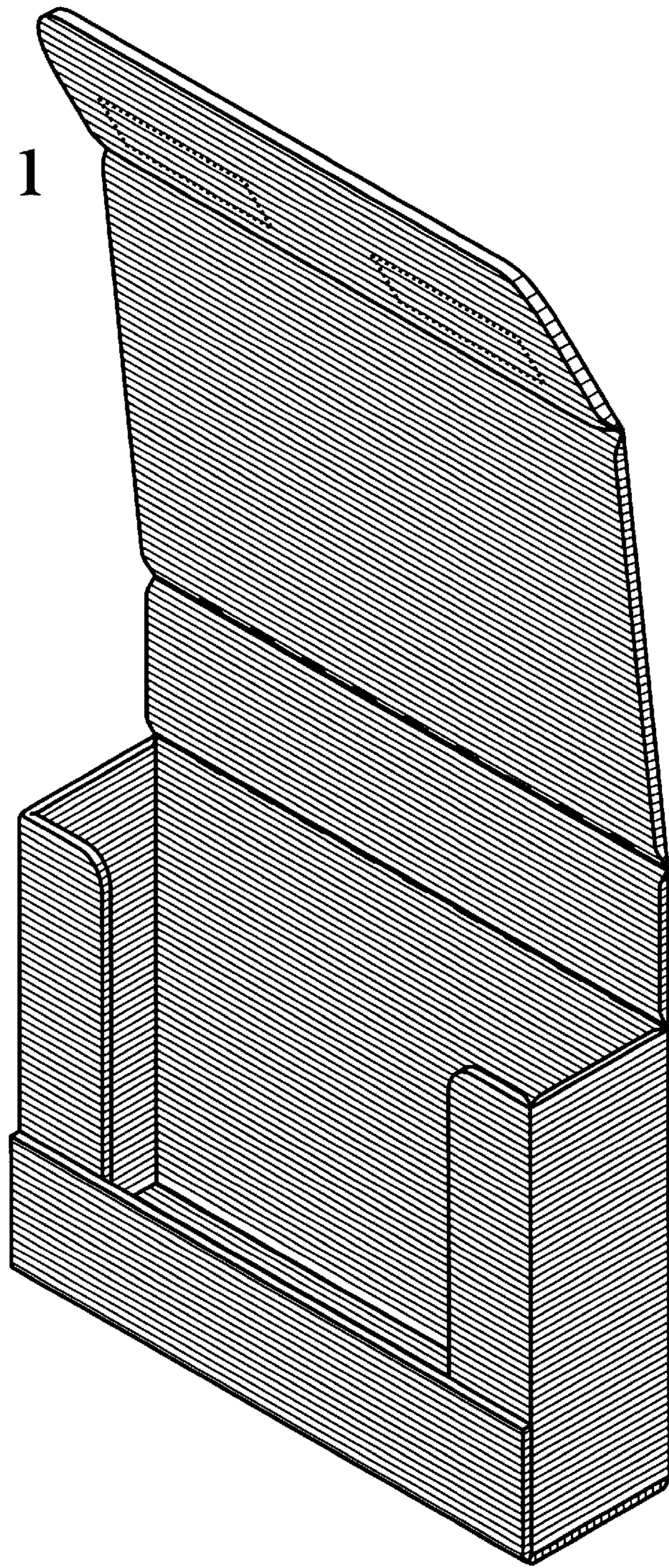


Fig. 2

Fig. 3

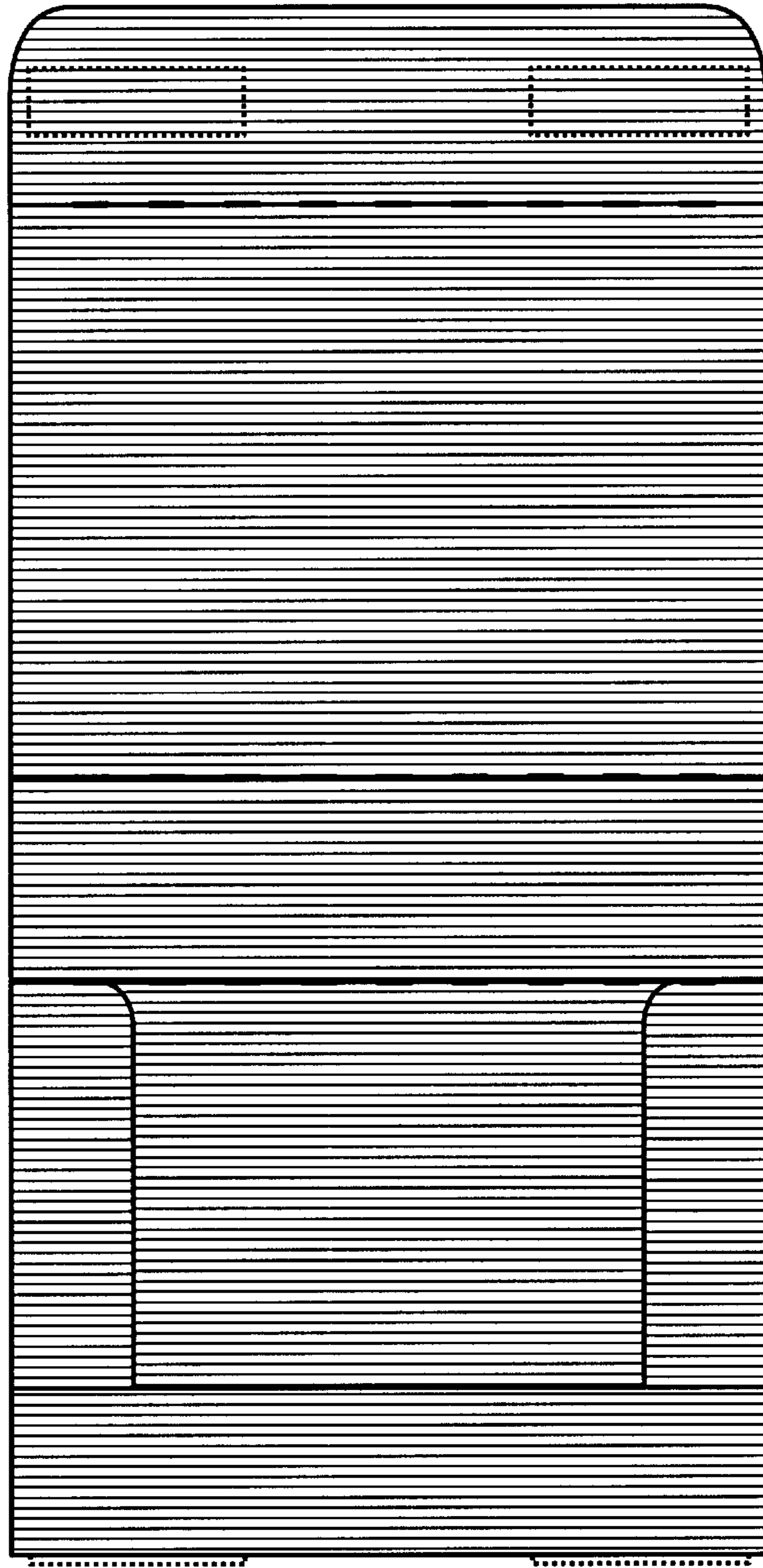


Fig. 4

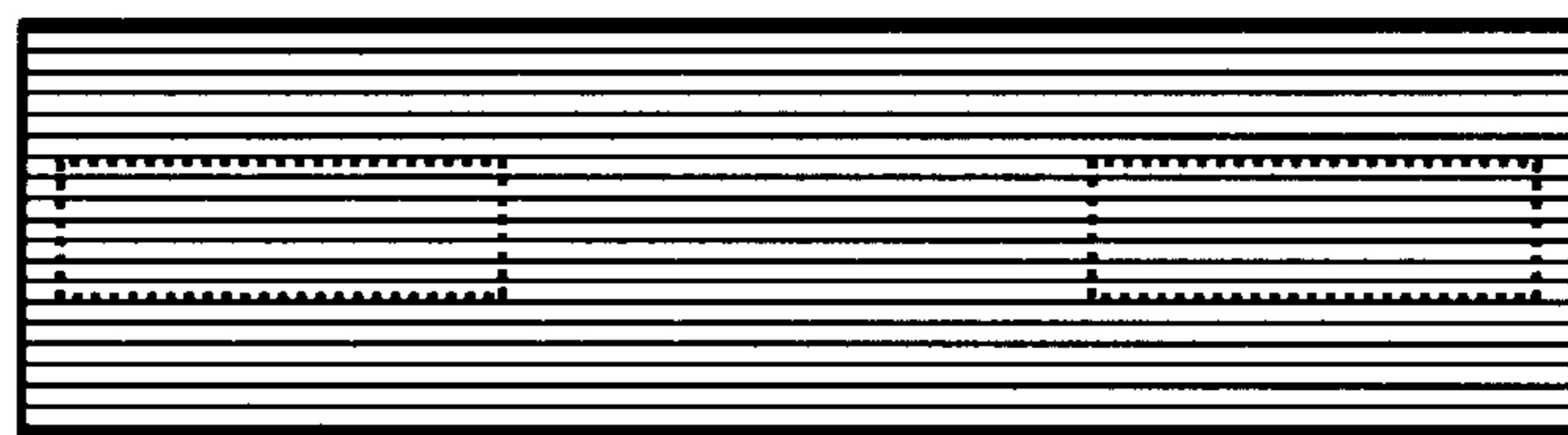


Fig. 5

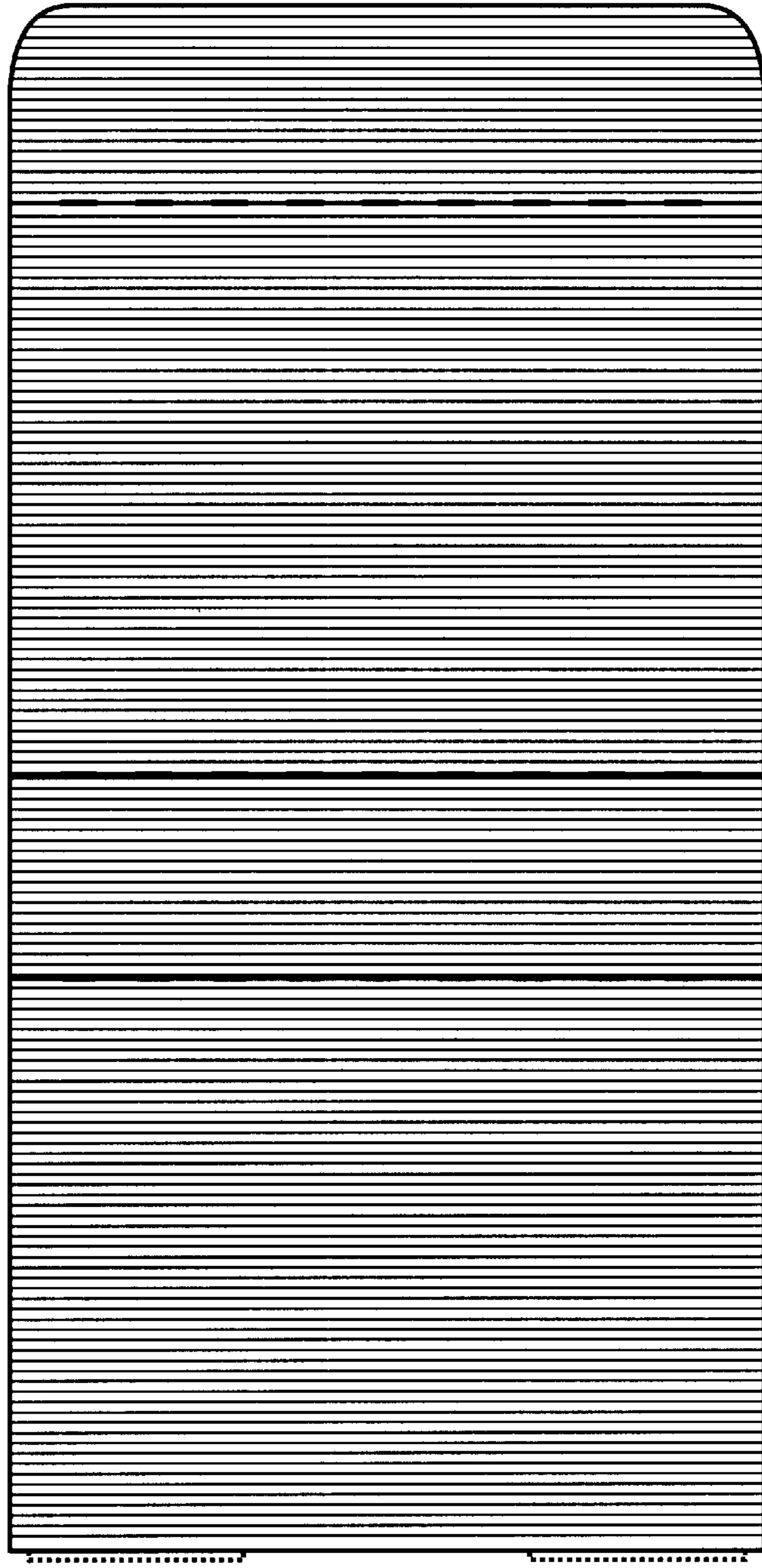


Fig. 6

